

# Component Seal Solutions

  
FDA, FSA & EU  
Compliant as  
Standard



## Food and Beverage Industry

FDA, FSA & EU Compliant  
Component Seals... that you can trust.



EXPERIENCE THE EXCEPTIONAL





## Customer Focus

AESSEAL® supply world class products to a wide range of industries. Although these industries require a variety of different product types and styles they are all linked by one commonality – the products that they use must be world class to ensure that the equipment they are sealing is operational for as long as possible.

AESSEAL® understand that our customers in the food and beverage industry are critical to the world's food supply. That is why we have a wide variety of world class products to suit the wide range of pump makes and models used in the food and beverage industry.

From sealing a Puma or Fristam Pump in a dairy plant to sealing a four-storey fermenter in a bio-products plant, we have the product offering to meet industry requirements. In addition, we have unique designs that make it more profitable to process and convert commodities into food ingredients.

We believe in cleanliness and controlling every step of the supply chain. The manufacturing facilities where our products are produced are world-class; just what you would expect from a supplier to the food and beverage industry.



\* For full details of material compliance please refer to the documents on our website ([www.componentseals.com/downloads/case-studies-fact-sheets](http://www.componentseals.com/downloads/case-studies-fact-sheets))



“With so many suppliers to choose from  
are you sure your seals are compliant?”

#### Food Safety

**Many areas of the world have strict regulations in place that apply to food safety.**

These regulations cover all aspects of the supply chain from production, processing, transportation and distribution to the supply of food. While the detail of the legislation may vary in different countries, in general the regulations seek to ensure that equipment is kept clean, efforts are made to eliminate the opportunity for bacteria growth and the materials that come into contact with food do not contaminate it in any way.

“By not complying with the regulation  
you may be at risk of prosecution”

#### EU, FSA and FDA Compliant Components

In the European Community, EU Directive 1935 / 2004 is valid for suppliers or users of items or ingredients intended for food contact or items where it is likely that they can or will come into contact with food. The Directive, whilst very clear in some aspects, appears non-specific in others and is therefore open to interpretation.

The Food Standards Agency (FSA) guidelines suggest that in such circumstances “Best Practice” is applied and should be supported by robust documentation.

The US Food and Drug Administration (FDA) Food Safety Modernization Act (2011) means that food producers are required to evaluate the hazards in their operations and implement and monitor effective measures to prevent contamination.

**Why Trust AESSEAL®?** Our materials are traceable in accordance with EC1935/2004 article 17 and our stock control systems are third party audited to ISO9001. We supply Food and Drug Administration (FDA) & EU Directive 1935/2004 compliant product wetted materials as standard so you can be assured your site complies. More importantly we can trace the components that the seal was built from back through the supply chain. Our seals are manufactured in accordance with Good Manufacturing Practice (GMP) which assures compliance with EC2023/2006. This is third party audited to ISO9001.

“Our F - stock code component seals use  
FDA/ EU compliant materials as standard\*”

“Our purpose is to give our customers such exceptional service that they need never consider alternative sources of supply.”

## Global

Customer service is provided from 230 locations in 104 countries, including 9 manufacturing and 58 repair locations, with more than 300 customer service representatives who visit industrial plants every day.

### From a Customer Perspective

Service matters. We have a track record with regional and multi-national companies in the food and beverage industry. Our products are global, our information is transparent and our service and support is coordinated.

Unlike other suppliers, we have a global product range and service reach. Wherever your plant is located, the product you purchase from us will have the same product stock coding, name and quality. Our business enterprise system allows us to view and balance inventory anywhere in the world, providing market leading on-time delivery.



### Product Design

Our F- component seal range is specifically designed to minimize bug traps, and all seal types use materials that are suitable for contact with food\*. We control the design and procurement of virtually every component in our F- product range to ensure that they are made to the world class standards our customers expect.

\* For full details of material compliance please refer to the documents on our website ([www.componentseals.com/downloads/case-studies-fact-sheets](http://www.componentseals.com/downloads/case-studies-fact-sheets))



## Elastomer Manufacture

To ensure world class quality assurance, AESSEAL® have implemented Good Manufacturing Practice (GMP) for Rubber Products intended to come into contact with foodstuffs and so all of the processing steps involved in manufacturing the elastomeric components for bellows or diaphragm seals are completed in-house. Inspection of the physical properties is routinely carried out on every batch of compound produced. On top of this the material is recertified to US Regulation 21CFR177.2600 every 6 months to ensure ongoing FDA/EU compliance.

## AES Elast™

As well as the standard elastomers such as EPR, Viton® and Nitrile; AESSEAL® also offer AES-ELAST™ which combines the excellent thermal resistance of Viton® with the unique resistance to chemicals and environments that have historically exceeded the performance of conventional fluoroelastomers, particularly in highly caustic and steam applications. For more information or availability please contact AESSEAL® Component Seal Division.

## Product Compatibility

In most cases AESSEAL® component seals can be specified using a pump manufacturer's or competitor's seal reference number. Identifying the AESSEAL® component seal required has never been easier!

## Product Availability


AESSEAL® has one of the most comprehensive component seal product portfolios available. With some 10,000 product lines available ex-stock, our inventory incorporates seals to suit an extensive range of applications. **AESSEAL® provides the sealing solutions you require – from a source you can trust.**

# Innovation

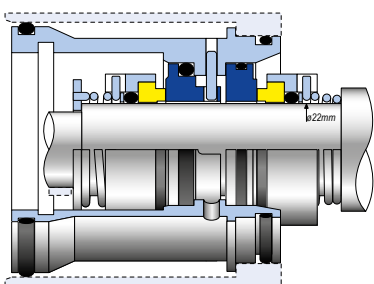
## Technology Upgrades

AESSEAL® FDA / EU compliant component seals offer 100% compatible solutions with OEM parts. This backwards compatibility ensures our products can be used with your existing stock holding.

AESSEAL® component seals are modular designs allowing faster service whilst also incorporating design features which reduce bug traps and the likelihood of seal failure. FDA / EU compliant elastomers and materials are used as standard for all products wetted components\*

In addition AESSEAL® offer a range of product upgrade alternatives that allow you to seal your application with market leading seal technology adapted to be compatible with your current equipment. To see whether there is an upgrade alternative available look for the  symbol next to the AESSEAL® standard product offering.

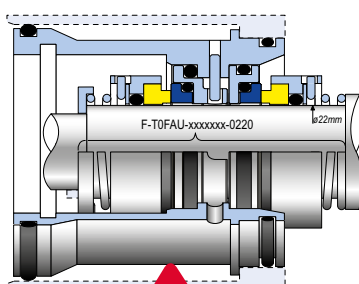
### Industry Standard



#### Typical OEM + competitor offering

- Copies in the marketplace make it difficult to know whether your site meets EU Directive 1935 / 2004

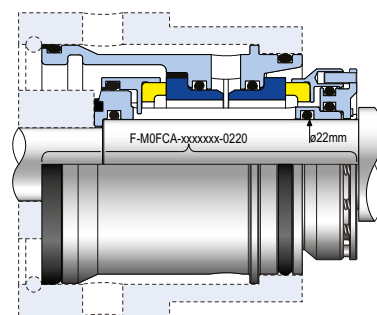
### AESSEAL® Type TOFAU



#### AESSEAL® Built to order product

- Auditable component manufacture
- FDA / EU Compliant materials as standard\*
- Fully backwards compatible with existing stock
- Modular, allowing reduced parts and therefore stock holding

### AESSEAL® Type M0FCA



#### AESSEAL® Upgrade product offering

- Sterile sealing rings reduce all product side bug traps
- Unitized / Plug-in design reduces fitting time and ensures correct installation every time
- Reduced downtime by improved performance utilizing hydraulically balanced seal design
- Improved cooling through agitating sleeve design and larger ports

\* For full details of material compliance please refer to the documents on our website ([www.componentseals.com/downloads/case-studies-fact-sheets](http://www.componentseals.com/downloads/case-studies-fact-sheets))

## EasyClean™ Seal Support System

Eliminating bug traps in your mechanical seals is one part of the story.

EasyClean™ is a novel solution to ensure that your seal support system is kept clean. The patented design enables easy access inside of the vessel allowing for cleaning and inspection.

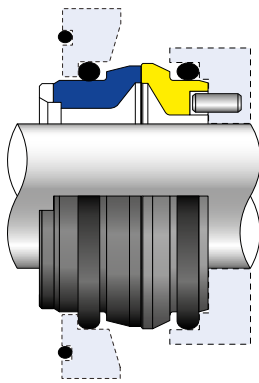


EasyClean™

“ Over 7% of annual sales revenue has been reinvested in R&D over several decades. This has almost certainly led to the most advanced range of sealing technology available globally. ”

Need proof that AESSEAL® product upgrades are a worthwhile investment? See the case studies available to download at [www.componentseals.com/downloads/case-studies-fact-sheets](http://www.componentseals.com/downloads/case-studies-fact-sheets)

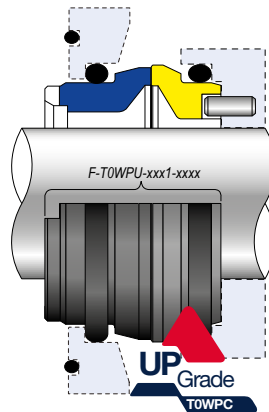
### Industry Standard



#### Typical OEM + competitor offering

- Copies in the marketplace make it difficult to know whether your site meets EU Directive 1935 / 2004

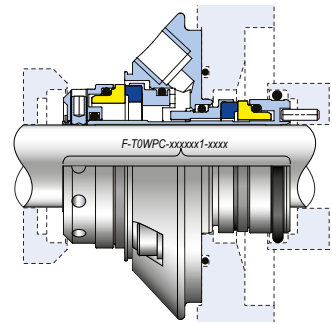
### AESSEAL® Type TOWPU



#### AESSEAL® Built to order product.

- Auditable component manufacture
- FDA / EU Compliant materials as standard\*

### AESSEAL® Type TOWPC



#### AESSEAL® Upgrade product offering

- Auditable component manufacture
- Unitized / Plug-in Design reduces fitting time and ensures correct installation.
- Reduced downtime by improved performance utilizing hydraulically balanced seal design
- FDA / EU Compliant materials as standard\*
- Improved cooling through directed barrier fluid flow

## Bearing Protection

Food Safety is a major concern. Daily high pressure wash-downs contaminate bearings; shouldn't a bearing protection range be part of your reliability strategy? Effective bearing protection can eliminate over 50% of bearing failures.

To see how AESSEAL® can improve your site reliability in other areas please visit [www.aesseal.com](http://www.aesseal.com)



LabTecta®66

# Pump Manufacturer: Alfa Laval

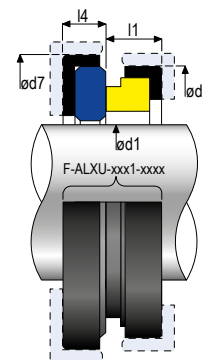
Manufacturer Pump Type	AESSEAL® Seal Type	AESSEAL® Seal Upgrade
MRPX, HMRPX 514, 714, 718, 818	ALXU	
ALC (D Series)	B09DU	M010X
LKR-5	M0HCH	
LKHP, LKH 110, 112, 113, 114	MP07U	
MR, LKH, SolidC, CM, EM, FM, MR, GM, ME, ALC (F Series)	P07U	
Contherm	S0ZU	S0ZX
SSP AP, GP, NDM	W01U	
SCPP 1	W013U	M09
SCPP 2	W013SU	M09S
SRU Hyclean	W016U	
SRU (SSP SR), NMOG	W03U	
SRU (SSP SR), NMOG Double Seal	W03DU	
SRU (SSP SR), NMOG	W03SU	
MOG 600, 1000, 2000, 3000 Series, (SSP I2, M2)	W09U	

## ALXU

Seal suits pump type:

MRPX, HMRPX 514, 714, 718, 818

Stock code: F-ALXU-XXXX-XXXX



Rotary Face	Stationary Face	Elastomer	Build Code	d1		d3		d7		I1		I4		
				Size	Metric	Inches	Metric	Inches	Metric	Inches	Metric	Inches	Metric	Inches
A - Carbon	J - Sintered SIC	Y - EPR (EPDM)	1	0400	40.0	1.575	60.0	2.362	64.0	2.520	11.4	0.449	9.1	0.358
				0500	50.0	1.969	70.0	2.756	74.0	2.913	11.0	0.433	9.3	0.366
				0600	60.0	2.362	82.6	3.252	82.6	3.252	10.0	0.394	8.0	0.315

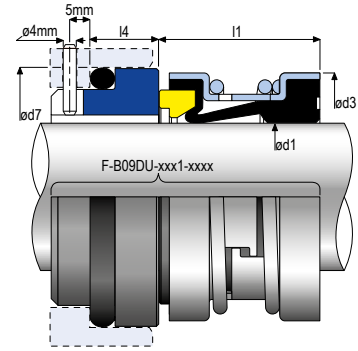


## B09DU



**Seal suits pump type:**  
ALC (D Series)

Stock code: F-B09DU-XXXX-XXXX



Rotary Face	Stationary Face	Elastomer	Build Code
A - Carbon or J - Sintered SIC	J - Sintered SIC	X - Nitrile (BUNA) or Y - EPDM (EPDM) or Z - Viton (FPM)	1

Size	d1		d3		d7		l1		l4	
	Metric	Inches	Metric	Inches	Metric	Inches	Metric	Inches	Metric	Inches
0400	40.0	1.575	60.0	2.362	55.4	2.142	30.0	1.181	14.0	0.551
0530	53.0	2.087	76.0	2.992	67.4	2.653	33.0	1.299	15.0	0.591
0600	60.0	2.362	85.0	3.346	79.9	3.150	38.0	1.496	15.0	0.591

## M010X

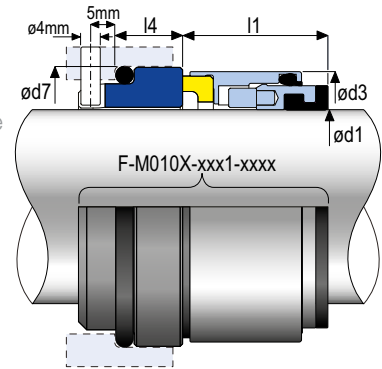
Why upgrade?

- Multi sprung seal technology for improved reliability / performance
- Boot driven rotary aids installation and means that the shaft is not damaged by set screws.
- Bug traps are reduced by boot and specially designed 'O' ring



**Seal suits pump type:**  
ALC (D Series)

Stock code: F-M010X-XXXX-XXXX



Rotary Face	Stationary Face	Elastomer	Build Code
A - Carbon	J - Sintered SIC	Y - EPDM (EPDM)	1

Size	d1		d3		d7		l1		l4	
	Metric	Inches	Metric	Inches	Metric	Inches	Metric	Inches	Metric	Inches
0400	40.0	1.575	55.8	2.197	58.0	2.283	30.0	1.181	14.0	0.551
0530	53.0	2.087	68.5	2.697	73.0	2.874	33.0	1.299	15.0	0.591



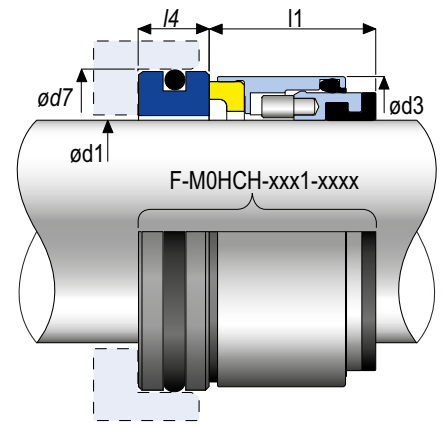
## MOHCH



Seal suits pump type:

LKR-5

Stock code: F-MOHCH-xxxx-xxxx



Rotary Face	Stationary Face	Elastomer	Build Code
A - Carbon or G - Tungsten Carbide	G - Tungsten Carbide or J - Sintered SIC	Y - EPR (EPDM) or Z - Viton (FPM)	1

Size	d1		d3		d7		l1		l4	
	Metric	Inches	Metric	Inches	Metric	Inches	Metric	Inches	Metric	Inches
0250	25.0	0.984	39.0	1.535	40.5	1.594	27.0	1.063	9.5	0.374
0300	30.0	1.181	44.0	1.732	50.8	2.000	27.0	1.063	11.5	0.453
0350	35.0	1.378	49.0	1.929	53.9	2.122	35.0	1.378	11.5	0.453
0400	40.0	1.575	55.9	2.201	60.3	2.375	35.0	1.375	11.5	0.453
0600	60.0	2.362	85.0	3.346	79.3	3.122	42.0	1.654	15.0	0.591

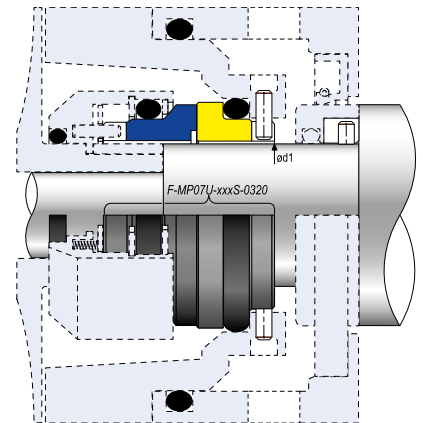
## MP07U



Seal suits pump type:

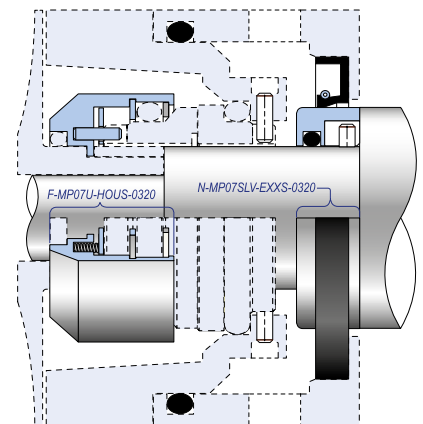
LKHP, LKH 110, 112, 113, 114

Stock code: F-MP07U-xxxx-0320



Rotary Face	Stationary Face	Elastomer	Build Code
A - Carbon or J - Sintered SIC	J - Sintered SIC	X - Nitrile (BUNA) or Y - EPR (EPDM) or Z - Viton (FPM)	S

Size	d1	
	Metric	Inches
0320	32.0	1.260



Additional part options available



## P07U (Single Seals)

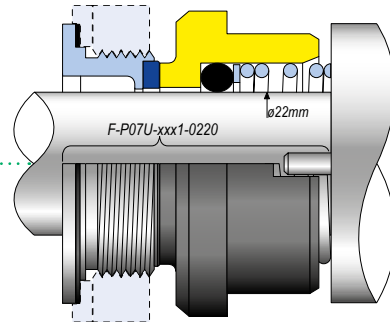
### Seal suits pump type:

MR, LKH, SolidC, CM, EM, FM, MR, GM, ME, ALC (F Series)

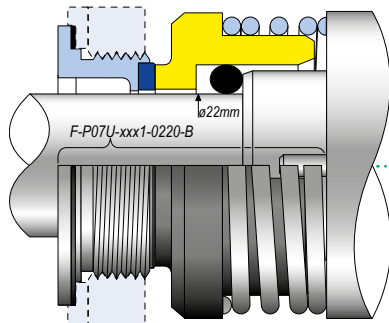
Stock code: F-P07U-XXXX-XXXX

Rotary Face	Stationary Face	Elastomer	Build Code
A - Carbon or J - Sintered SiC or G - Tungsten Carbide	J - Sintered SiC or E - Stainless Steel or G - Tungsten Carbide	X - Nitrile (BUNA) or Y - EPR (EPDM) or Z - Viton (FPM)	1

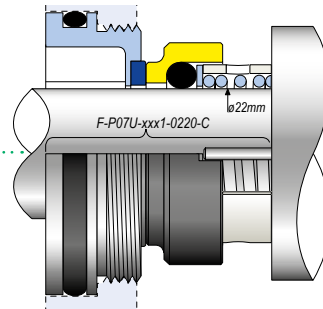
0220



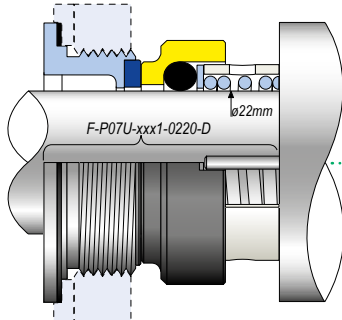
0220-B



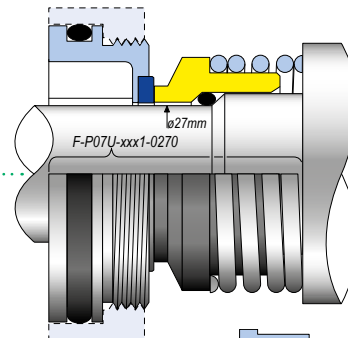
0220-C



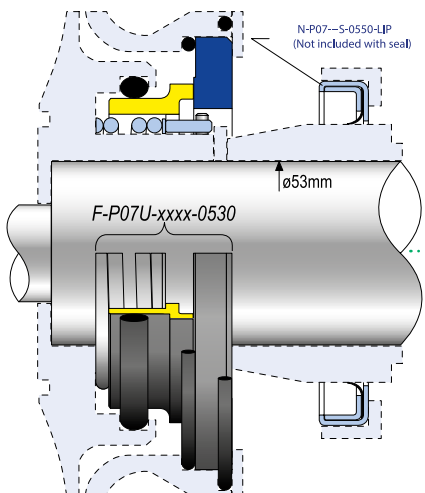
0220-D



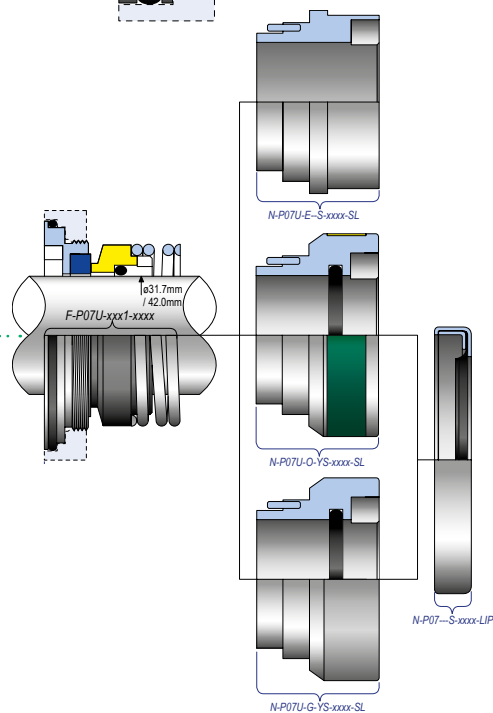
0270



0530



0350



0420

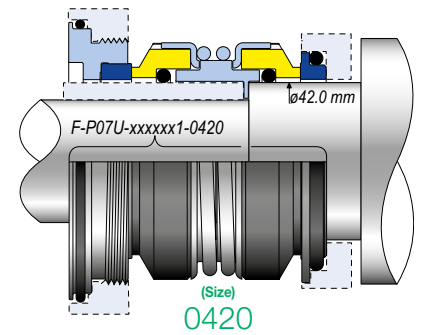
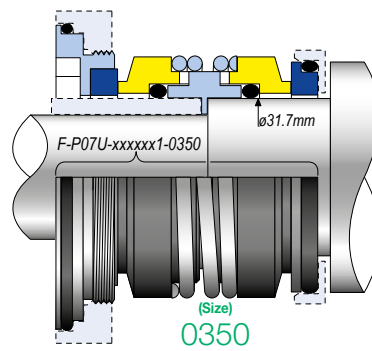
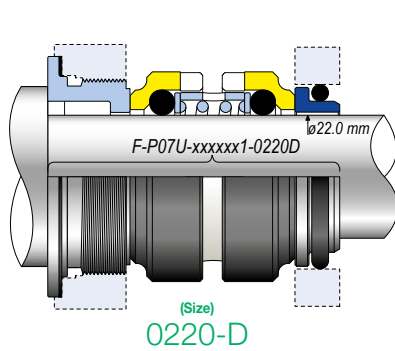
## P07U (Double Seals)

### Seal suits pump type:

MR, LKH, SolidC, CM, EM, FM, MR, GM, ME, ALC (F Series)

Stock code: F-P07U-XXXXXX-XXXX  
(Size)

Rotary Face	Stationary Face	Elastomer	Rotary Face	Stationary Face	Elastomer	Build Code
A - Carbon or J - Sintered SiC or G - Tungsten Carbide	J - Sintered SiC or E - Stainless Steel or G - Tungsten Carbide	X - Nitrile (BUNA) or Y - EPR (EPDM) or Z - Viton (FPM)	A - Carbon or J - Sintered SiC or G - Tungsten Carbide	J - Sintered SiC or E - Stainless Steel or G - Tungsten Carbide	X - Nitrile (BUNA) or Y - EPR (EPDM) or Z - Viton (FPM)	1



## S0ZU

### Seal suits pump type:

Contherm

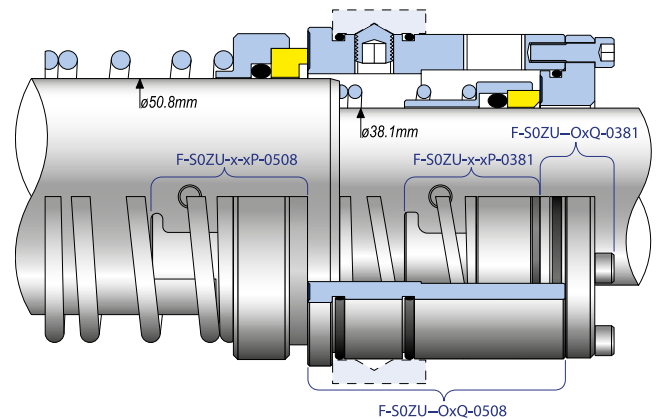
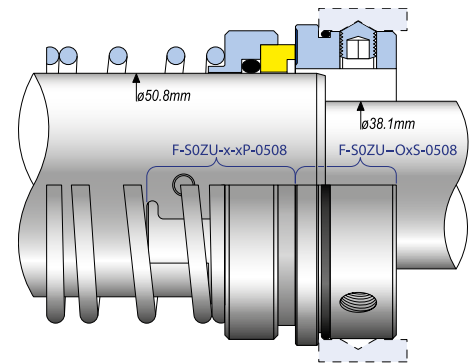


Parts are available in the following materials:

Rotary Face	Stationary Face	Elastomer
A - Carbon or G - Tungsten Carbide	O - Chrome Oxide	X - Nitrile (BUNA) or Y - EPR (EPDM) or Z - Viton (FPM)

Springs available using following stock codes:

- N-S0Z-COIL-0508
- N-S0Z-COIL-0381



## SOZX

Why upgrade?

- Resiliently mounted faces improve reliability and allow spare faces to be fitted
- Pin driven rotary and stationary faces improve performance

**Seal suits pump type:**

Contherm

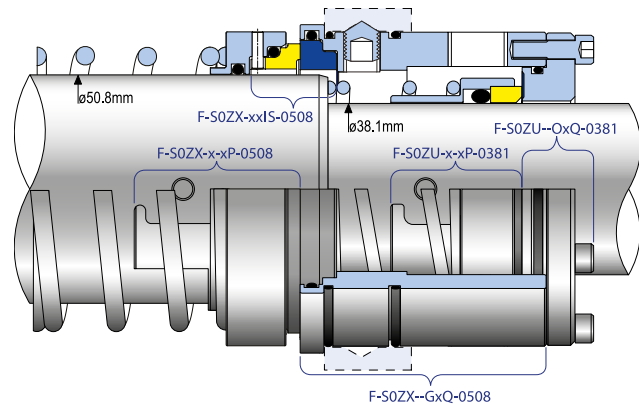
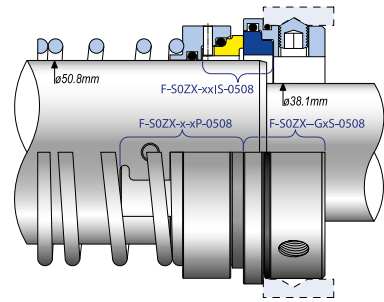


Parts are available in the following materials

Rotary Face	Stationary Face	Elastomer
A - Carbon or G - Tungsten Carbide	G - Tungsten Carbide	I - AES Elast

Springs available using following stock codes:

- N-SOZ-COIL-0508
- N-SOZ-COIL-0381



## W01U

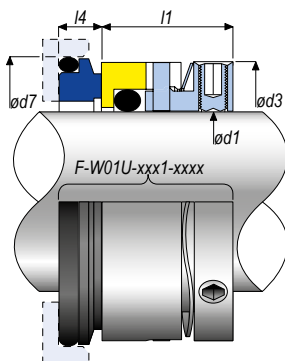


**Seal suits pump type:**

SSP AP, GP, NDM

Stock code: F-W01U-XXXX-XXXX

Rotary Face	Stationary Face	Elastomer	Build Code
E - Stainless Steel or G - Tungsten Carbide	A - Carbon or G - Tungsten Carbide	X - Nitrile (BUNA) or Y - EPDM (EPDM) or Z - Viton (FPM)	1



Size	d1		d3		d7		l1		l4	
	Metric	Inches	Metric	Inches	Metric	Inches	Metric	Inches	Metric	Inches
0158	15.8	0.622	27.0	1.063	28.6	1.126	19.1	0.752	6.3	0.248
0160	16.0	0.630	27.0	1.063	28.6	1.126	19.1	0.752	6.3	0.248
0191	19.1	0.752	30.0	1.181	31.7	1.248	19.1	0.752	6.3	0.248
0240	24.0	0.945	34.1	1.343	35.4	1.394	19.1	0.752	7.6	0.299
0280	28.0	1.102	40.0	1.575	42.0	1.654	19.1	0.752	7.6	0.299
0286	28.6	1.126	39.5	1.555	41.2	1.622	19.1	0.752	7.6	0.299
0300	30.0	1.181	41.0	1.614	42.7	1.681	19.1	0.752	7.6	0.299
0317	31.7	1.248	42.4	1.669	44.2	1.740	19.1	0.752	7.6	0.299
0320	32.0	1.260	42.4	1.669	44.4	1.748	19.1	0.752	7.6	0.299
0349	34.9	1.374	45.5	1.791	47.6	1.874	19.1	0.752	7.6	0.299
0350	35.0	1.378	45.5	1.791	47.6	1.874	19.1	0.752	7.6	0.299
0380	38.0	1.496	51.8	2.039	53.9	2.122	21.1	0.831	8.1	0.319
0381	38.1	1.500	51.8	2.039	53.9	2.122	21.1	0.831	8.1	0.319
0444	44.4	1.748	58.2	2.291	60.3	2.374	21.1	0.831	8.1	0.319
0476	47.6	1.874	61.4	2.417	63.5	2.500	21.1	0.831	8.1	0.319
0500	50.0	1.969	61.9	2.437	63.9	2.516	21.1	0.831	8.1	0.319
0508	50.8	2.000	64.6	2.543	66.6	2.622	22.1	0.870	9.6	0.378
0539	53.9	2.122	71.0	2.795	73.0	2.874	22.1	0.870	9.6	0.378
0540	54.0	2.126	71.0	2.795	73.9	2.909	22.1	0.870	9.6	0.378
0546	54.6	2.150	72.0	2.835	75.0	2.953	22.1	0.870	9.6	0.378
0550	55.0	2.165	72.0	2.835	75.0	2.953	22.1	0.870	9.6	0.378
0630	63.0	2.480	79.3	3.122	83.0	3.268	25.8	1.016	9.1	0.358
0635	63.5	2.500	79.3	3.122	88.9	3.500	25.8	1.016	9.1	0.358
0698	69.8	2.748	88.9	3.500	95.2	3.748	25.8	1.016	9.1	0.358
0730	73.0	2.874	94.0	3.701	98.4	3.874	25.8	1.016	9.1	0.358
0750	75.0	2.953	96.0	3.780	100.4	3.953	25.8	1.016	9.1	0.358
0800	80.0	3.150	101.0	3.976	104.0	4.094	25.8	1.016	9.1	0.358

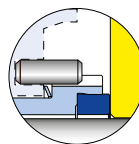


## W13U (Single Seals)

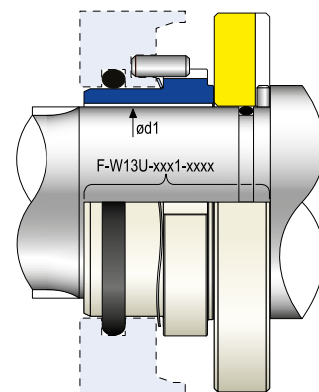


Seal suits pump type:  
SCPP1

Stock code: F-W13U-XXXX-XXXX



Inserted internal stationary  
face for Carbon and Tungsten  
Carbide



Monolithic Internal stationary in Sintered SiC  
and Ceramic

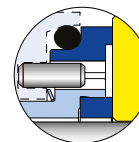
Rotary Face	Stationary Face	Elastomer	Build Code	d1		
				Size	Metric	Inches
B - Alumina Ceramic or G - Tungsten Carbide or J - Sintered SiC	A - Carbon or B - Alumina Ceramic or G - Tungsten Carbide or J - Sintered SiC	X - Nitrile (BUNA) or Y - EPR (EPDM) or Z - Viton (FPM)	1	0301	30.1	1.185
				0381	38.1	1.500
				0476	47.6	1.875
				0698	69.8	2.750

## W13U (Double Seals)

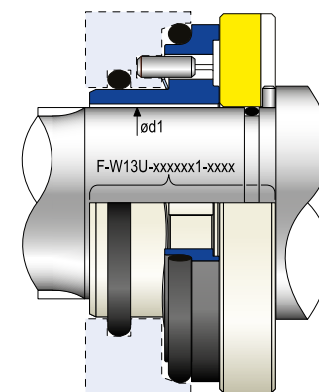


Seal suits pump type:  
SCPP 1

Stock code: F-W13U-XXXXXXX-XXXX  
(Size)



Inserted internal stationary  
face for Carbon and Tungsten  
Carbide



Monolithic Internal stationary in Sintered SiC  
and Ceramic

Rotary Face	Stationary Face	Elastomer	Rotary Face	Stationary Face	Elastomer	Build Code
B - Alumina Ceramic or G - Tungsten Carbide or J - Sintered SiC	A - Carbon or B - Alumina Ceramic or G - Tungsten Carbide or J - Sintered SiC	X - Nitrile (BUNA) or Y - EPR (EPDM) or Z - Viton (FPM)	B - Alumina Ceramic or G - Tungsten Carbide or J - Sintered SiC	A - Carbon	X - Nitrile (BUNA) or Y - EPR (EPDM) or Z - Viton (FPM)	1

Size	d1	
	Metric	Inches
0301	30.1	1.185
0381	38.1	1.500
0476	47.6	1.875
0698	69.8	2.750

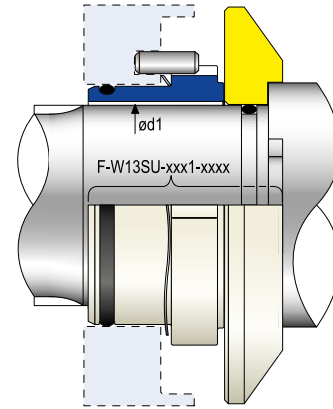


## W13SU (Single Seals)



**Seal suits pump type:**  
SCPP 2

Stock code: F-W13SU-XXXX-XXXX



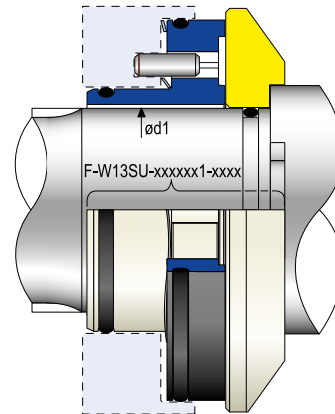
Rotary Face	Stationary Face	Elastomer	Build Code	d1		
				Size	Metric	Inches
B - Alumina Ceramic or J - Sintered SiC or G - Tungsten Carbide	A - Carbon or B - Alumina Ceramic	X - Nitrile (BUNA) or Y - EPR (EPDM) or Z - Viton (FPM)	1	0317	31.7	1.250
	G - Tungsten Carbide or J - Sintered SiC			50.8	41.2	1.625
				0508	50.8	2.000
				0698	69.8	2.750
				0762	76.2	3.000

## W13SU (Double Seals)



**Seal suits pump type:**  
SCPP 2

Stock code: F-W13SU-XXXXXX-XXXX  
(Size)



Rotary Face	Stationary Face	Elastomer	Rotary Face	Stationary Face	Elastomer	Build Code
B - Alumina Ceramic or G - Tungsten Carbide or J - Sintered SiC	A - Carbon or B - Alumina Ceramic or G - Tungsten Carbide or J - Sintered SiC	X - Nitrile (BUNA) or Y - EPR (EPDM) or Z - Viton (FPM)	B - Alumina Ceramic or G - Tungsten Carbide or J - Sintered SiC	A - Carbon	X - Nitrile (BUNA) or Y - EPR (EPDM) or Z - Viton (FPM)	1

Size	d1	
	Metric	Inches
0317	31.7	1.250
50.8	41.2	1.625
0508	50.8	2.000
0698	69.8	2.750
0762	76.2	3.000

**M09**

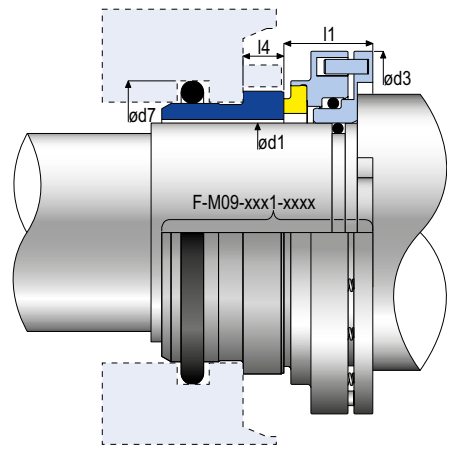


Why upgrade?

- Multi sprung face for more consistent face pressure
- Hydraulically balanced faces improve seal life

**Seal suits pump type:**  
SCPP 1

Stock code: F-M09-xxxx-xxxx



Rotary Face	Stationary Face	Elastomer	Build Code
G -Tungsten Carbide	G -Tungsten Carbide	Y - EPR (EPDM) or Z - Viton (FPM)	1

Size	d1		d3		d7		l1		l4	
	Metric	Inches	Metric	Inches	Metric	Inches	Metric	Inches	Metric	Inches
0381	38.1	1.500	80.6	3.175	53.6	2.110	11.6	0.457	3.0	0.118
0476	47.6	1.875	79.0	3.110	66.1	2.602	19.4	0.763	8.9	0.350

**M09S**

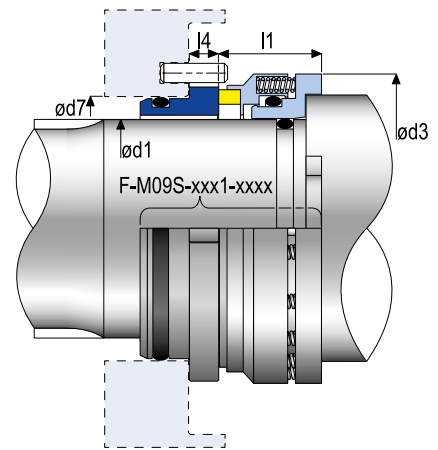


Why upgrade?

- Multi sprung face for more consistent face pressure
- Hydraulically balanced faces improve seal life

**Seal suits pump type:**  
SCPP 2

Stock code: F-M09S-xxxx-0698



Rotary Face	Stationary Face	Elastomer	Build Code
G -Tungsten Carbide	G -Tungsten Carbide	Y - EPR (EPDM) or Z - Viton (FPM)	1

Size	d1		d3		d7		l1		l4	
	Metric	Inches	Metric	Inches	Metric	Inches	Metric	Inches	Metric	Inches
0698	69.8	2.750	93.4	3.675	83.3	3.280	24.0	0.945	5.1	0.201

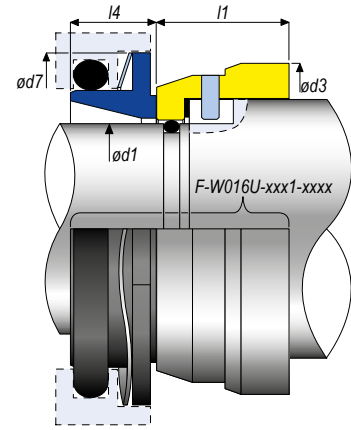


## W016U



**Seal suits pump type:**  
SRU Hyclean

Stock code: F-W016U-XXXX-XXXX



Rotary Face	Stationary Face	Elastomer	Build Code
E - Stainless Steel or J - Sintered SiC	A - Carbon or J - Sintered SiC	X - Nitrile (BUNA) or Y - EPDM (EPDM) or Z - Viton (FPM)	1

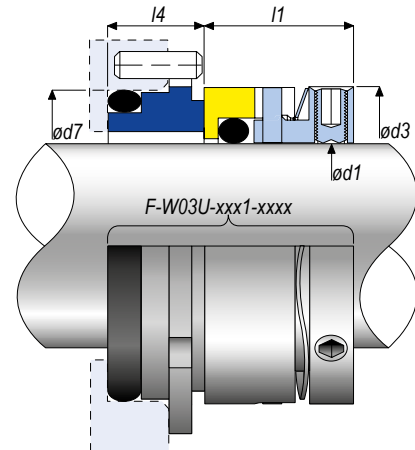
Size	d1		d3		d7		I1		I4	
	Metric	Inches	Metric	Inches	Metric	Inches	Metric	Inches	Metric	Inches
0200	20.0	0.787	32.0	1.260	37.0	1.457	21.9	0.862	12.6	0.496
0300	30.0	1.181	45.0	1.772	49.3	1.939	21.0	0.827	14.5	0.571
0350	35.0	1.378	54.9	2.161	44.3	1.744	22.0	0.866	14.3	0.563
0450	45.0	1.772	64.9	2.555	74.0	2.913	24.5	0.965	17.2	0.677
0550	55.0	2.165	74.9	2.949	84.0	3.307	26.9	1.059	16.9	0.665
0670	67.0	2.638	89.7	3.531	100.0	3.937	37.0	1.457	20.0	0.787

## W03U



**Seal suits pump type:**  
SRU (SSP SR), NMOG

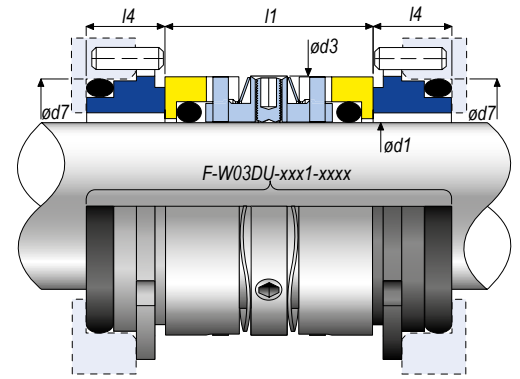
Stock code: F-W03U-XXXX-XXXX



Rotary Face	Stationary Face	Elastomer	Build Code
E - Stainless Steel or G - Tungsten Carbide	A - Carbon or G - Tungsten Carbide	X - Nitrile (BUNA) or Y - EPDM (EPDM) or Z - Viton (FPM)	1

Size	d1		d3		d7		I1		I4	
	Metric	Inches	Metric	Inches	Metric	Inches	Metric	Inches	Metric	Inches
0200	20.0	0.787	31.0	1.220	30.0	1.181	19.1	0.752	10.7	0.421
0300	30.0	1.181	41.0	1.614	41.2	1.622	19.1	0.752	10.9	0.429
0350	35.0	1.378	45.5	1.791	47.0	1.850	19.1	0.752	12.2	0.480
0450	45.0	1.772	58.2	2.291	58.3	2.295	21.1	0.831	11.6	0.457
0550	55.0	2.165	72.0	2.835	69.6	2.740	22.1	0.870	13.0	0.512
0750	75.0	2.953	96.0	3.780	92.2	3.630	25.8	1.016	14.5	0.571

## W03DU



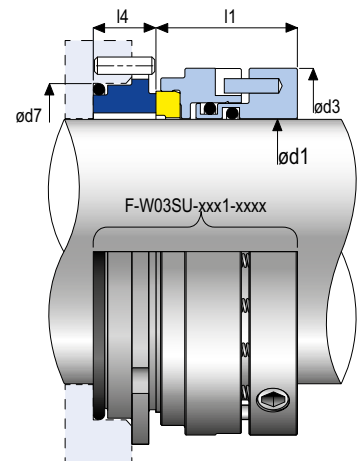
**Seal suits pump type:**  
SRU (SSP SR), NMOG Double Seal

Stock code: F-W03DU-**XXXXXX**-**XXXX**  
(Size)

Rotary Face	Stationary Face	Elastomer	Rotary Face	Stationary Face	Elastomer	Build Code
E - Stainless Steel or G - Tungsten Carbide	A - Carbon or G - Tungsten Carbide	X - Nitrile (BUNA) or Y - EPR (EPDM)	E - Stainless Steel or G - Tungsten Carbide	A - Carbon or G - Tungsten Carbide	X - Nitrile (BUNA) or Y - EPR (EPDM) or Z - Viton (FPM)	1

Size	d1		d3		d7		I1		I4	
	Metric	Inches	Metric	Inches	Metric	Inches	Metric	Inches	Metric	Inches
0300	30.0	1.181	41.0	1.614	41.2	1.622	31.2	1.228	10.9	0.429
0350	35.0	1.378	45.5	1.791	47.0	1.850	31.3	1.224	12.2	0.480
0450	45.0	1.772	58.2	2.291	58.3	2.295	35.3	1.389	11.6	0.457
0550	55.0	2.165	72.0	2.835	69.6	2.740	43.7	1.720	13.0	0.512
0750	75.0	2.953	96.0	3.780	92.2	3.630	46.6	1.835	14.5	0.571

## W03SU



**Seal suits pump type:**  
SRU (SSP SR), NMOG

Stock code: F-W03SU-**XXXX**-**XXXX**

Rotary Face	Stationary Face	Elastomer	Build Code	Size	d1		d3		d7		I1		I4	
E - Stainless Steel or G - Tungsten Carbide or J - Sintered SiC	A - Carbon or G - Tungsten Carbide or J - Sintered SiC	X - Nitrile (BUNA) or Y - EPR (EPDM) or Z - Viton (FPM)	1		Metric	Inches	Metric	Inches	Metric	Inches	Metric	Inches	Metric	Inches
				0200	20.0	0.787	32.4	1.276	30.0	1.181	20.0	0.787	10.7	0.421
				0300	30.0	1.181	44.0	1.732	41.2	1.622	21.4	0.843	10.9	0.429
				0350	35.0	1.378	50.8	2.000	47.0	1.850	22.0	0.866	12.2	0.480
				0450	45.0	1.772	62.4	2.457	58.3	2.295	22.9	0.902	11.6	0.457
				0550	55.0	2.165	76.0	2.992	69.6	2.740	29.3	1.154	13.0	0.512
				0750	75.0	2.953	99.2	3.906	92.2	3.630	31.1	1.224	14.5	0.571

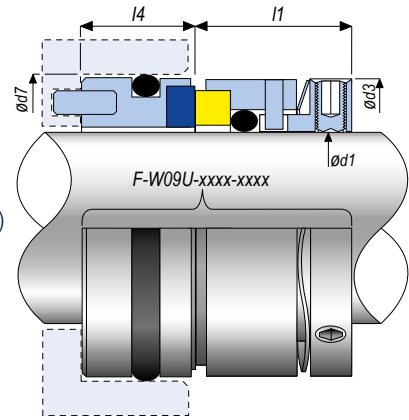
# W09U



### Seal suits pump type:

MOG 600, 1000, 2000, 3000 Series, (SSP I2, M2)

Stock code: F-W09U-XXXX-XXXX



Rotary Face	Stationary Face	Elastomer	Build Code
A - Carbon or D - Silicon Carbide (RB) or J - Sintered SiC	D - Silicon Carbide (RB) or E - Stainless Steel or J - Sintered SiC	X - Nitrile (BUNA) or Y - EPR (EPDM) or Z - Viton (FPM)	1

Size	d1		d3		d7		l1		l4	
	Metric	Inches	Metric	Inches	Metric	Inches	Metric	Inches	Metric	Inches
0150	15.0	0.591	26.0	1.024	27.0	1.063	20.9	0.823	9.3	0.366
0301	30.1	1.185	40.9	1.610	42.0	1.654	20.6	0.811	14.0	0.551
0349	34.9	1.374	47.6	1.874	47.6	1.874	20.6	0.811	15.8	0.622
0508	50.8	2.000	65.4	2.575	66.6	2.622	23.8	0.937	11.9	0.469
0762	76.2	3.000	98.6	3.882	95.2	3.748	39.7	1.563	11.9	0.469

# Pump Manufacturer: APV Pumps

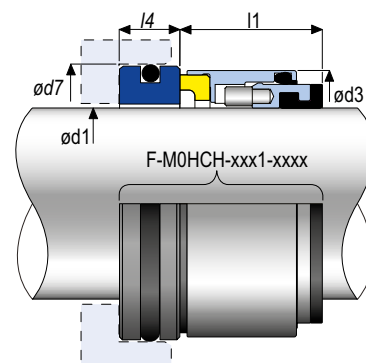
Manufacturer Pump Type	AESSEAL® Seal Type	AESSEAL® Seal Upgrade
RCN 3, 4	M0HCH	
Osborne Craig (Hayward Tyler) Side Entry Mixer MkIII	HT0CU	
W-140 / 50	M010S5	
PUMA	P06U / BP06U	
ZMA, ZMB, ZMD, ZMH, ZMS	T0RVU	
W	T0WU & T0WDU	
DW	T0WDWU	
W+, WA+, WHP+, WS, TPM+1, TPM+2	T0WPU	T0WPC
Sim 20 / 30-220	T0WSU	
Clean Line (Howard CL0, CL1, CL2, CL3, MC1, MC2, MC3)	W010U	
ZMS-5, ZMS-6	W08U	
Clean Line (Howard CL0, CL1, CL2, CL3)	W09U-CL	

## MOHCH



Seal suits pump type:  
RCN

Stock code: F-M0HCH-XXXX-XXXX



Rotary Face	Stationary Face	Elastomer	Build Code
A - Carbon or G - Tungsten Carbide	G - Tungsten Carbide or J - Sintered SiC	Y - EPR (EPDM) or Z - Viton (FPM)	1 8 S 9

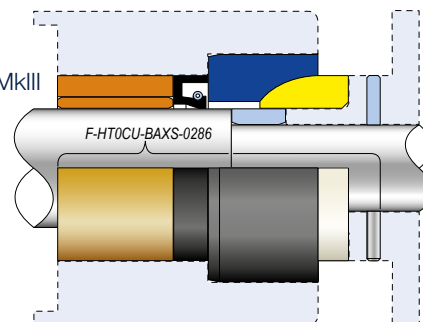
Size	d1		d3		d7		l1		l4	
	Metric	Inches	Metric	Inches	Metric	Inches	Metric	Inches	Metric	Inches
0250	25.0	0.984	39.0	1.535	40.5	1.594	27.0	1.063	9.5	0.374
0300	30.0	1.181	44.0	1.732	50.8	2.000	27.0	1.063	11.5	0.453
0350	35.0	1.378	49.0	1.929	53.9	2.122	35.0	1.378	11.5	0.453
0400	40.0	1.575	55.9	2.201	60.3	2.375	35.0	1.375	11.5	0.453
0600	60.0	2.362	85.0	3.346	79.3	3.122	42.0	1.654	15.0	0.591

## HT0CU



Seal suits pump type:  
Osborne Craig (Hayward Tyler) Side Entry Mixer MkIII

Stock code: F-HT0CU-XXXX-0286



Rotary Face	Stationary Face	Elastomer	Build Code
B - Alumina Ceramic	A - Carbon	X - Nitrile (BUNA)	S

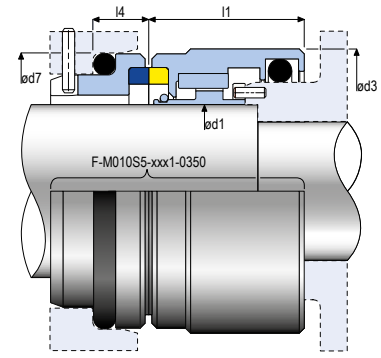
Size	d1	
	Metric	Inches
0286	28.6	1.125

## M010S5



Seal suits pump type:  
W-140 / 50

Stock code: F-M010S5-xxxx-0350

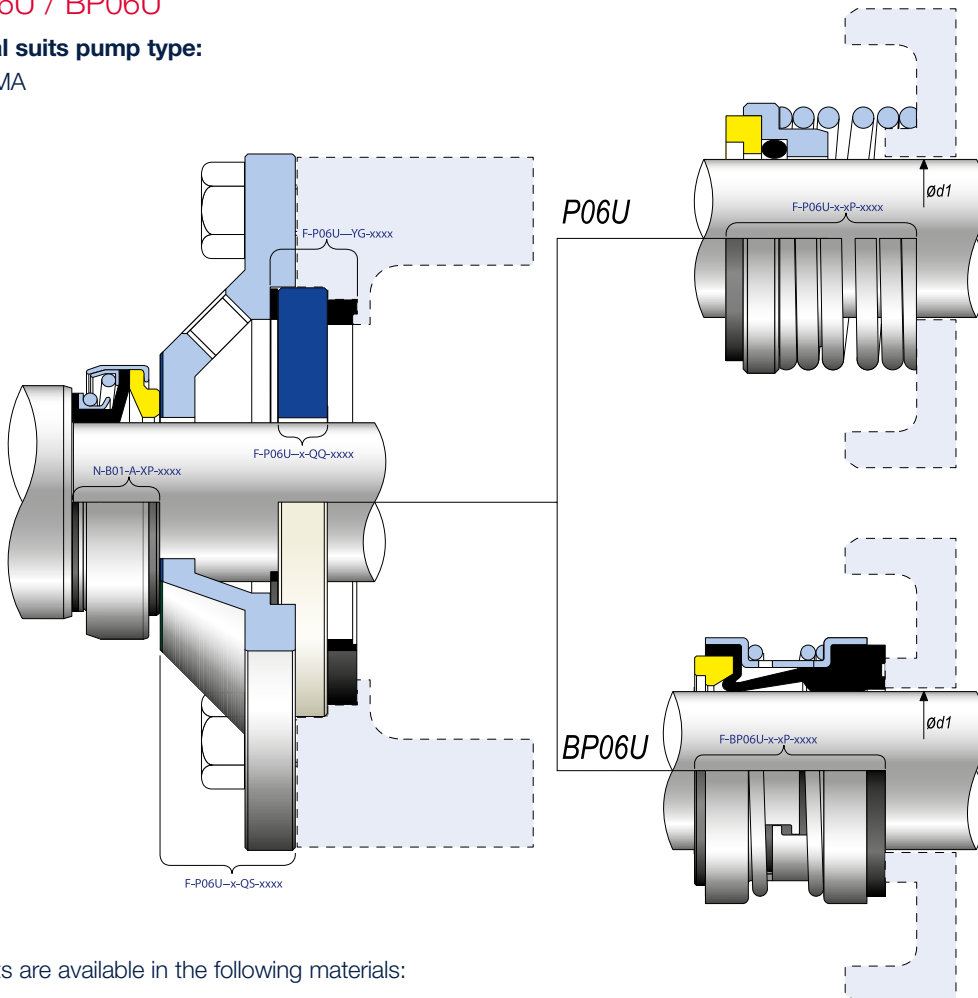


Rotary Face	Stationary Face	Elastomer	Build Code
J - Sintered SiC	A - Carbon or J - Sintered SiC	Y - EPDM (EPDM) or Z - Viton (FPM)	1

Size	d1		d3		d7		l1		l4	
	Metric	Inches	Metric	Inches	Metric	Inches	Metric	Inches	Metric	Inches
0350	35.0	1.378	57.5	2.264	56.0	2.205	31.5	1.240	12.3	0.484

## P06U / BP06U

Seal suits pump type:  
PUMA



Parts are available in the following materials:

Rotary Face	Stationary Face	Elastomer
A - Carbon or J - Sintered SiC	E - Stainless Steel or B - Alumina Ceramic or J - Sintered SiC or O - Chrome Oxide	X - Nitrile (BUNA) or Y - EPDM (EPDM) or Z - Viton (FPM)

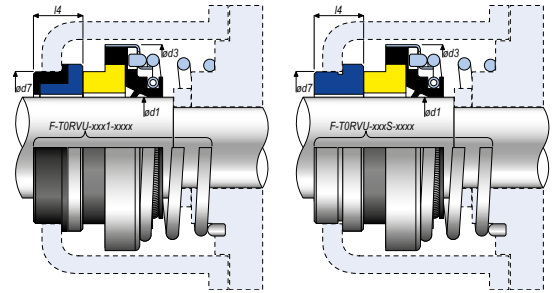
Size	d1	
	Metric	Inches
0254	25.4	1.000
0381	38.1	1.500

## TORVU



**Seal suits pump type:**  
ZMA, ZMB, ZMD, ZMH, ZMS

Stock code: F-TORVU-XXXX-XXXX



Rotary Face	Stationary Face	Elastomer
A - Carbon or D - Silicon Carbide (RB) or J - Sintered SiC	E - Stainless Steel or D - Silicon Carbide (RB) or J - Sintered SiC	X - Nitrile (BUNA) or Y - EPDM (EPDM) or Z - Viton (FPM)

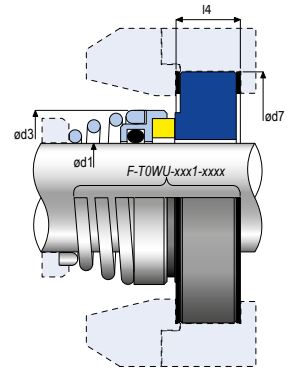
Size	d1		d3		d7		I4	
	Metric	Inches	Metric	Inches	Metric	Inches	Metric	Inches
0200	20.0	0.787	40.6	1.598	30.0	1.181	9.8	0.386
0250	25.0	0.984	45.5	1.791	35.0	1.378	9.8	0.386
0300	30.0	1.181	57.0	2.244	42.0	1.654	13.0	0.512
0350	35.0	1.378	63.0	2.480	46.0	1.811	12.0	0.472

## TOWU



**Seal suits pump type:**  
W

Stock code: F-TOWU-XXXX-XXXX



Rotary Face	Stationary Face	Elastomer	Build Code
A - Carbon or G - Tungsten Carbide or J - Sintered SiC	J - Sintered SiC or G - Tungsten Carbide	X - Nitrile (BUNA) or Y - EPDM (EPDM) or Z - Viton (FPM)	R

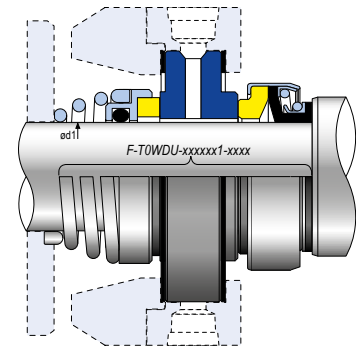
Size	d1		d3		d7		I4	
	Metric	Inches	Metric	Inches	Metric	Inches	Metric	Inches
0250	25.0	0.984	38.2	1.504	51.5	2.028	17.2	0.675
0350	35.0	1.378	49.5	1.949	62.0	2.441	17.4	0.685

## TOWDU



**Seal suits pump type:**  
W

Stock code: F-TOWDU-XXXXXXXX-XXXX



Rotary Face	Stationary Face	Elastomer	Stationary Face	Rotary Face	Elastomer	Build Code
A - Carbon or J - Sintered SiC	J - Sintered SiC	X - Nitrile (BUNA) or Y - EPDM (EPDM) or Z - Viton (FPM)	J - Sintered SiC	A - Carbon	X - Nitrile (BUNA) or Y - EPDM (EPDM) or Z - Viton (FPM)	R

Size	d1	
	Metric	Inches
0250	25.0	0.984
0350	35.0	1.378

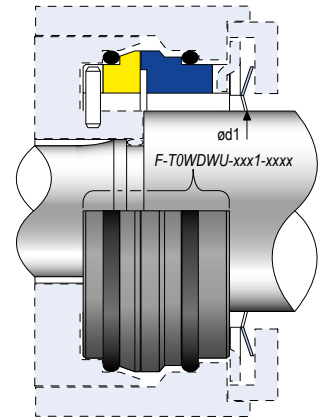
## TOWDWU (Internal Seal)



Seal suits pump type:

DW

Stock code: F-TOWDWU-XXXX-XXXX



Rotary Face	Stationary Face	Elastomer	Build Code
G - Tungsten Carbide or J - Sintered SiC	G - Tungsten Carbide or A - Carbon or J - Sintered SiC	X - Nitrile (BUNA) or Y - EPR (EPDM) or Z - Viton (FPM)	1

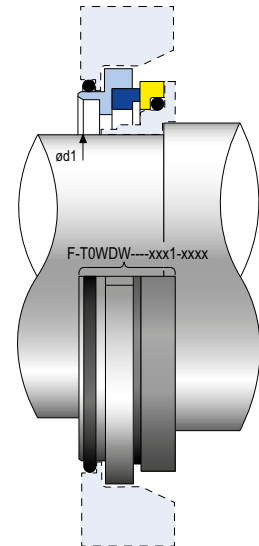
Size	d1	
	Metric	Inches
0310	31.0	1.220
0400	40.0	1.575
0480	48.0	1.889
0580	58.0	2.283
0750	75.0	2.953

## TOWDW (External Seal)

Seal suits pump type:

DW

Stock code: F-TOWDW-XXXX-XXXX



Rotary Face	Stationary Face	Elastomer	Build Code
J - Sintered SiC	A - Carbon	Y - EPR (EPDM)	1

Size	d1	
	Metric	Inches
0310	31.0	1.220
0400	40.0	1.575
0580	58.0	2.283
0750	75.0	2.953

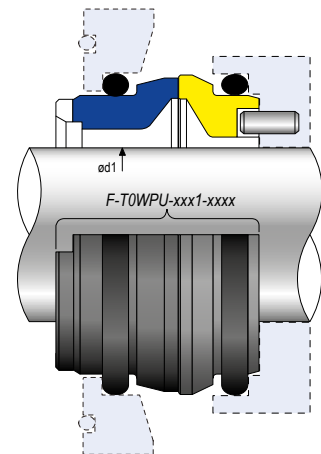
## TOWPU



Seal suits pump type:

W+, WA+, WHP+, WS, TPM+1, TPM+2

Stock code: F-TOWPU-XXXX-XXXX



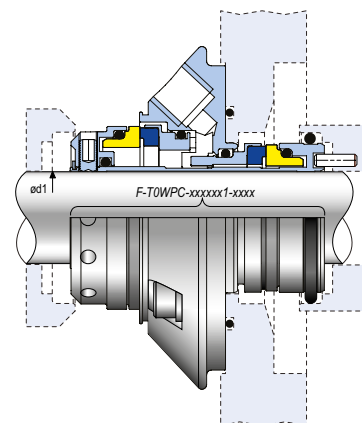
Rotary Face	Stationary Face	Elastomer	Build Code
G - Tungsten Carbide or J - Sintered SiC	G - Tungsten Carbide or A - Carbon or J - Sintered SiC	X - Nitrile (BUNA) or Y - EPR (EPDM) or Z - Viton (FPM)	1

Size	d1	
	Metric	Inches
0250	25.0	0.984
0350	35.0	1.378

## TOWPC

Why upgrade?

- Unitized / Plug in Design reduces fitting time and ensures correct installation.
- Reduced downtime by improved performance utilizing hydraulically balanced seal design
- Improved cooling through directed barrier fluid flow



**Seal suits pump type:**

W+, WA+, WHP+, WS, TPM+1, TPM+2

Stock code: F-TOWPC-**xxxxxx**-**xxxx**

Rotary Face	Stationary Face	Elastomer	Stationary Face	Rotary Face	Elastomer	Build Code
G - Tungsten Carbide or J - Sintered SiC	G - Tungsten Carbide or A - Carbon	I - AES Elast or X - Nitrile (BUNA) or Y - EPR (EPDM) or Z - Viton (FPM)	A - Carbon	G - Tungsten Carbide or J - Sintered SiC	Y - EPR (EPDM) or Z - Viton (FPM)	1

		d1	
Size	Metric	Metric	Inches
0250	25.0	0.984	
0350	35.0	1.378	

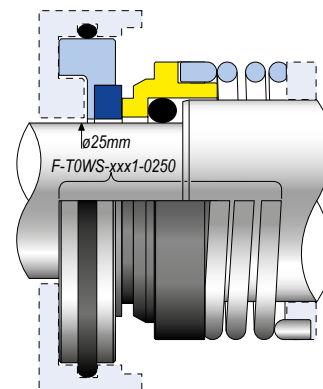
## TOWS



**Seal suits pump type:**

Sim 20 / 30-220

Stock code: F-TOWS-**xxxx**-0250



Rotary Face	Stationary Face	Elastomer	Build Code
A - Carbon	J - Sintered SiC	X - Nitrile (BUNA) or Y - EPR (EPDM) or Z - Viton (FPM)	1

		d1	
Size	Metric	Metric	Inches
0250	25.0	0.984	

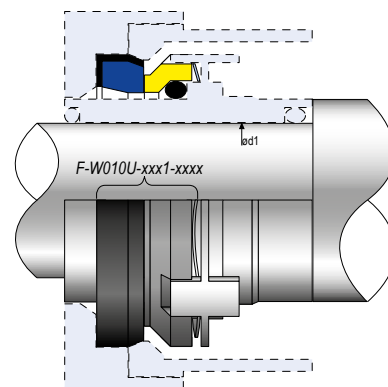
## W010U



**Seal suits pump type:**

Clean Line (Howard CL0, CL1, CL2, CL3, MC1, MC2, MC3)

Stock code: F-W010U-**xxxx**-**xxxx**



Rotary Face	Stationary Face	Elastomer	Build Code
A - Carbon or J - Sintered SiC	J - Sintered SiC	Y - EPR (EPDM)	1

		d1	
Size	Metric	Metric	Inches
0286	28.6	1.125	
0478	47.8	1.882	
0539	53.9	2.122	
0750	75.0	2.953	



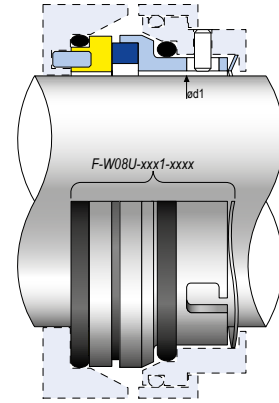
## W08U



**Seal suits pump type:**

ZMS-5, ZMS-6

Stock code: F-W08U-XXXX-XXXX



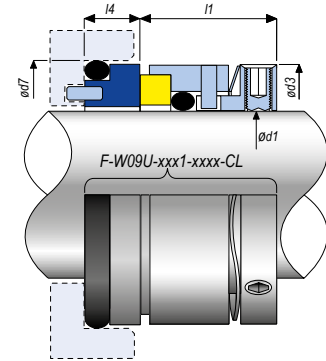
Rotary Face	Stationary Face	Elastomer	Build Code	d1		
				Size	Metric	Inches
A - Carbon or G -Tungsten Carbide	E - Stainless Steel or G -Tungsten Carbide	X - Nitrile (BUNA) or Y - EPDM (EPDM) or Z - Viton (FPM)	1	0480	48.0	1.899
				0540	54.0	2.125

## W09U-CL

**Seal suits pump type:**

Clean Line (Howard CL0, CL1, CL2, CL3)

Stock code: F-W09U-XXXX-XXXX-CL



Rotary Face	Stationary Face	Elastomer	Build Code	d1		d3		d7		I1		I4		
				Size	Metric	Inches	Metric	Inches	Metric	Inches	Metric	Inches	Metric	Inches
A - Carbon or G -Tungsten Carbide	E - Stainless Steel or G -Tungsten Carbide	X - Nitrile (BUNA) or Y - EPDM (EPDM) or Z - Viton (FPM)	1	0286	28.6	1.126	40.2	1.583	41.2	1.622	20.6	0.811	7.0	0.276
				0476	47.6	1.874	60.4	2.378	63.5	2.500	21.4	0.843	9.3	0.366
				0539	53.9	2.122	70.5	2.776	73.0	2.874	24.6	0.969	7.2	0.283



# T01FU Range

22mm Single Seals

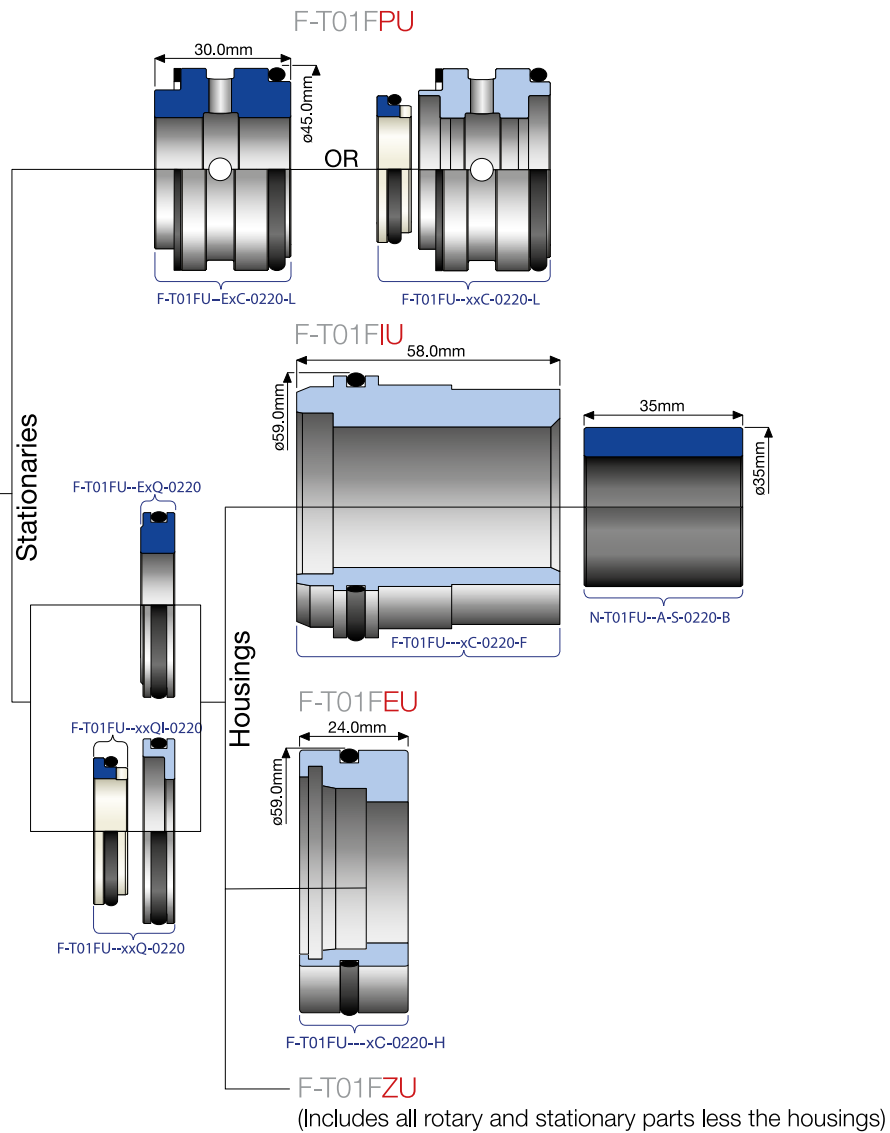
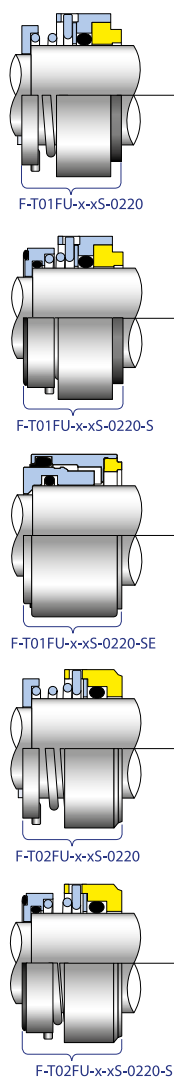
**Seal suits pump type:**  
FP, FPE, FPX, FR, FT, FZ

Stock code: F-T01FxU-xxxx-0220

Rotary Face	Stationary Face	Elastomer	Build Code	Internal Rotary Type
A - Carbon or G - Tungsten Carbide or J - Sintered SIC or *B - Ceramic or *E - Stainless Steel	A - Carbon or E - Stainless Steel or B - Ceramic or G - Tungsten Carbide or J - Sintered SIC	X - Nitrile (BUNA) or Y - EPDM (EPDM) or Z - Viton (FPM)	1	F-T01FU-x-xS-0220
			M	F-T01FU-x-xS-0220-S
			D	F-T01FU-x-xS-0220-SE
			A	F-T02FU-x-xS-0220
			E	F-T02FU-x-xS-0220-S

\*Available in T02FU Rotary Only

## Internal Rotaries (Working Length 22mm)

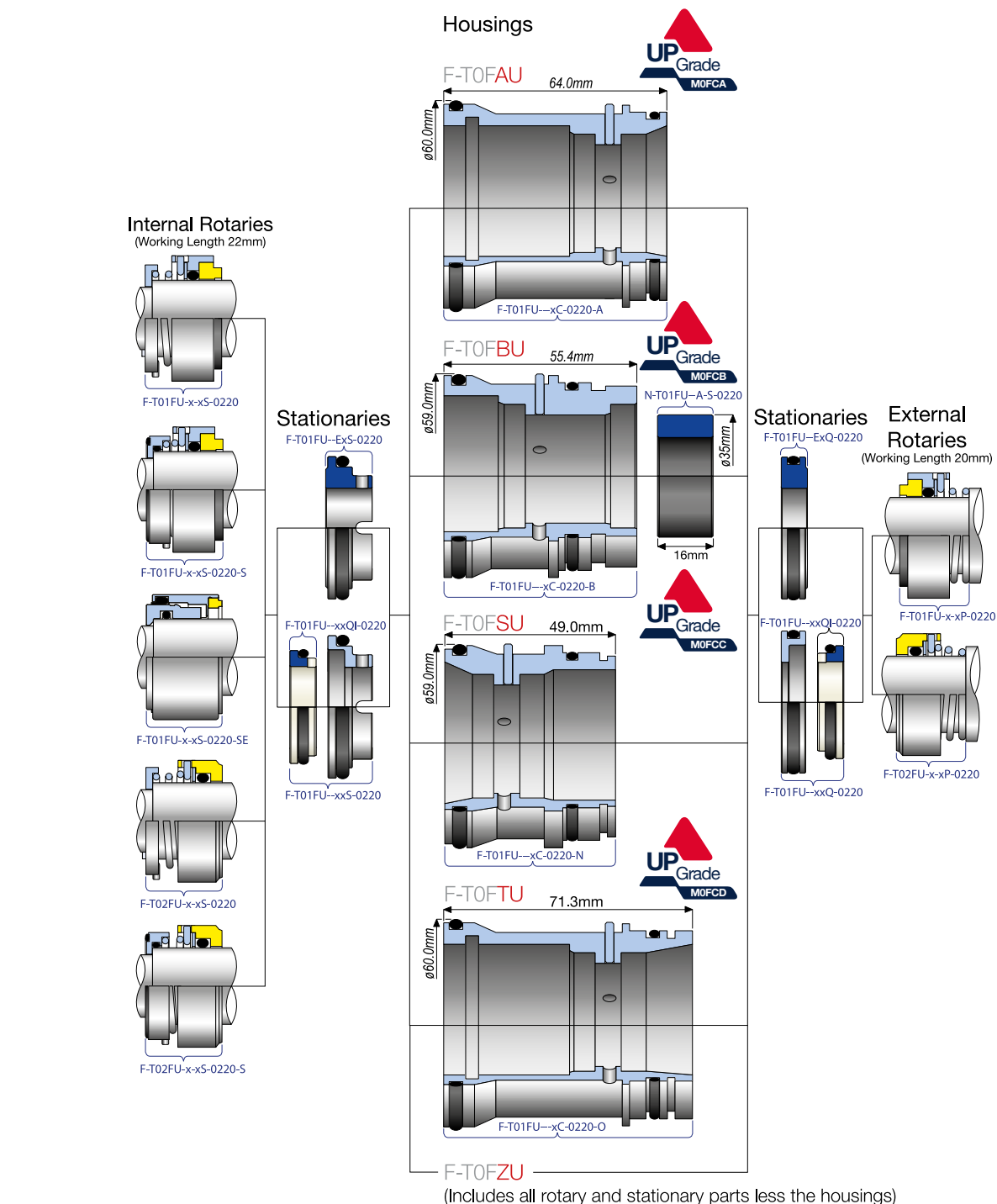


22mm Double Seals

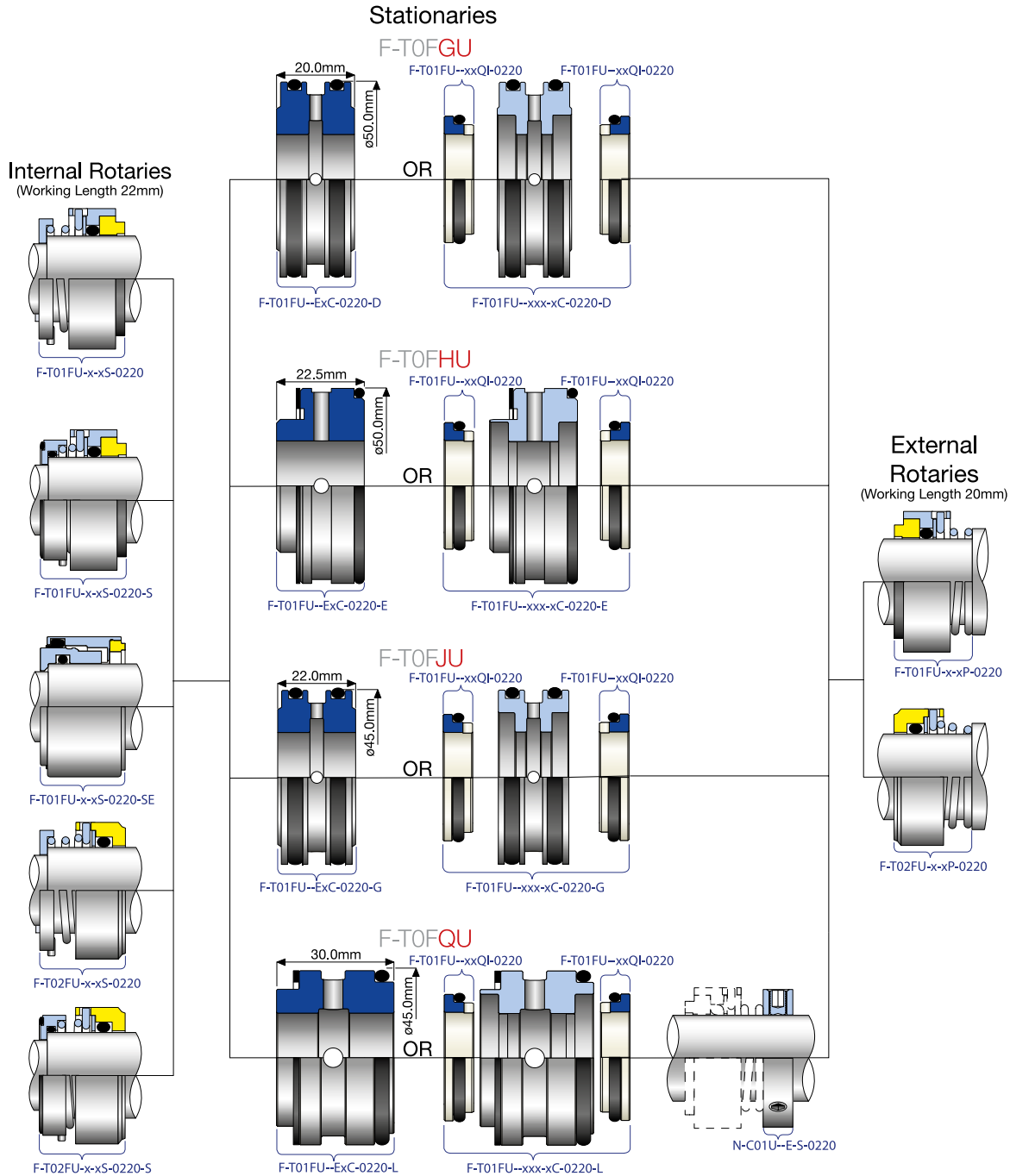
Stock code: F-TOFxU-xxxxxxx-0220

Rotary Face	Stationary Face	Elastomer	Stationary Face	Rotary Face	Elastomer
A - Carbon or G - Tungsten Carbide or J - Sintered SiC or *B - Ceramic or *E - Stainless Steel	A - Carbon or E - Stainless Steel or B - Ceramic or G - Tungsten Carbide or J - Sintered SiC	X - Nitrile (BUNA) or Y - EPR (EPDM) or Z - Viton (FPM)	A - Carbon or E - Stainless Steel or B - Ceramic or G - Tungsten Carbide or J - Sintered SiC	A - Carbon or G - Tungsten Carbide or J - Sintered SiC or *B - Ceramic or *E - Stainless Steel	X - Nitrile (BUNA) or Y - EPR (EPDM) or Z - Viton (FPM)

\*Available in T02FU Rotary Only



Build Code	Internal Rotary Type	External Rotary Type
1	F-T01FU-x-xS-0220	F-T01FU-x-xP-0220
A	F-T02FU-x-xS-0220	F-T01FU-x-xP-0220
D	F-T01FU-x-xS-0220-SE	F-T01FU-x-xP-0220
E	F-T02FU-x-xS-0220-S	F-T01FU-x-xP-0220
F	F-T02FU-x-xS-0220-S	F-T02FU-x-xP-0220
G	F-T01FU-x-xS-0220-SE	F-T02FU-x-xP-0220
M	F-T01FU-x-xS-0220-S	F-T01FU-x-xP-0220
N	F-T01FU-x-xS-0220-S	F-T02FU-x-xP-0220
O	F-T02FU-x-xS-0220	F-T02FU-x-xP-0220
T	F-T01FU-x-xS-0220	F-T02FU-x-xP-0220

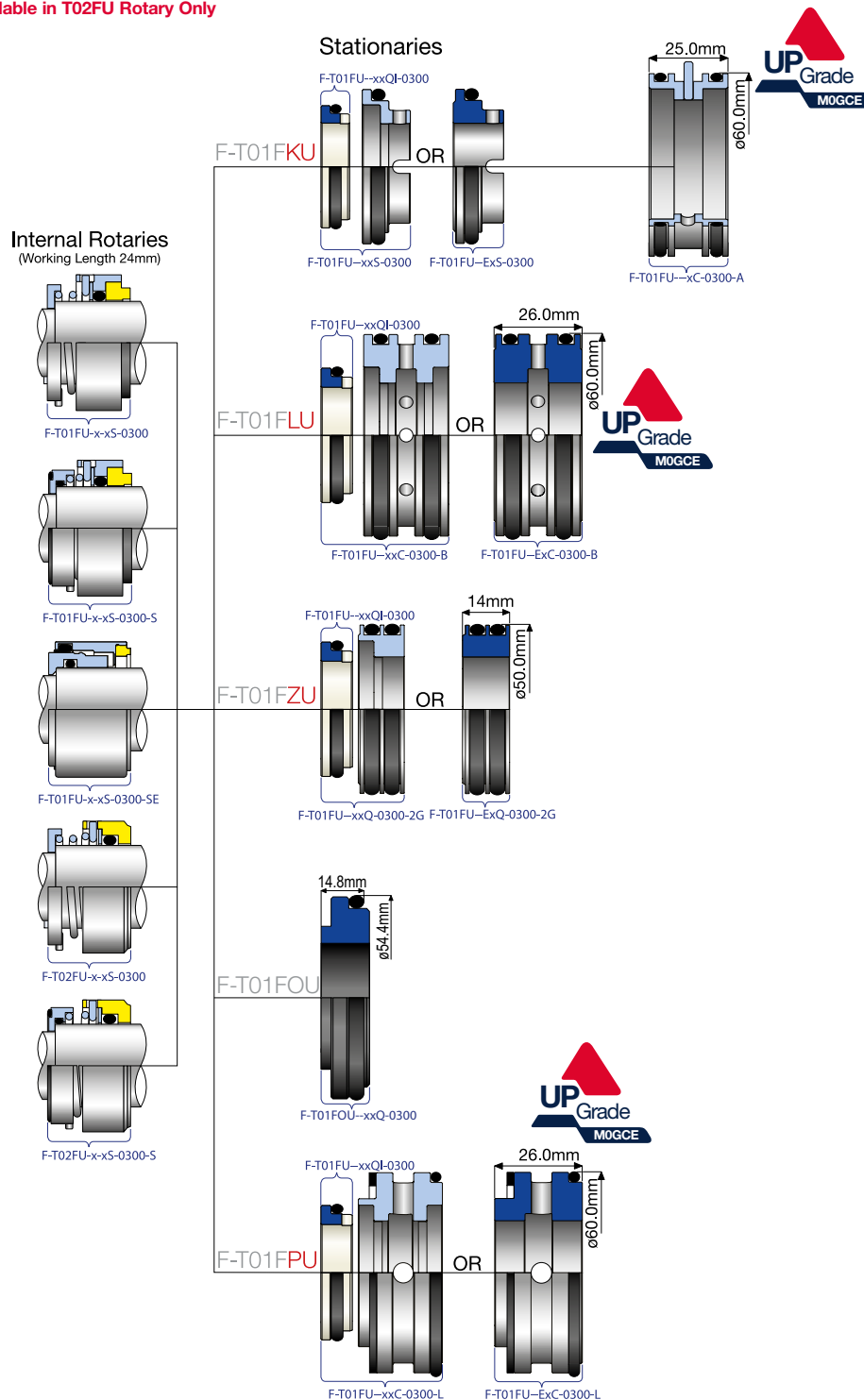


30mm Single Seals

Stock code: F-T01F<sup>x</sup>U-<sup>xxxx</sup>-0300

Rotary Face	Stationary Face	Elastomer	Build Code	Internal Rotary Type
A - Carbon or G - Tungsten Carbide or J - Sintered SiC or *B - Ceramic or *E - Stainless Steel	A - Carbon or E - Stainless Steel or B - Ceramic or G - Tungsten Carbide or J - Sintered SiC	X - Nitrile (BUNA) or Y - EPDM (EPDM) or Z - Viton (FPM)	1 M D A E	F-T01FU-x-xS-0300 F-T01FU-x-xS-0300-S F-T01FU-x-xS-0300-SE F-T02FU-x-xS-0300 F-T02FU-x-xS-0300-S

\*Available in T02FU Rotary Only



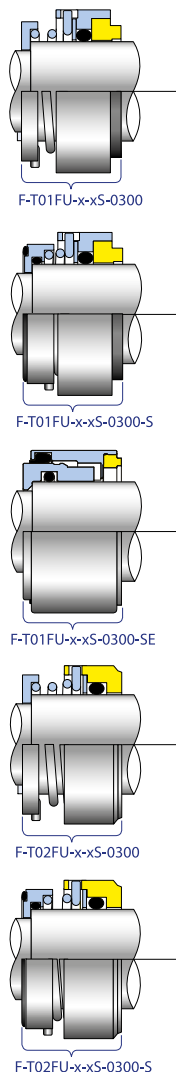
(Build Code)

Rotary Face	Stationary Face	Elastomer	Stationary Face	Rotary Face	Elastomer
A - Carbon or G - Tungsten Carbide or J - Sintered SiC or *B - Ceramic or *E - Stainless Steel	A - Carbon or E - Stainless Steel or B - Ceramic or G - Tungsten Carbide or J - Sintered SiC	X - Nitrile (BUNA) or Y - EPDM (EPDM) or Z - Viton (FPM)	A - Carbon or E - Stainless Steel or B - Ceramic or G - Tungsten Carbide or J - Sintered SiC?	A - Carbon or G - Tungsten Carbide or J - Sintered SiC or *B - Ceramic or *E - Stainless Steel	X - Nitrile (BUNA) or Y - EPDM (EPDM) or Z - Viton (FPM)

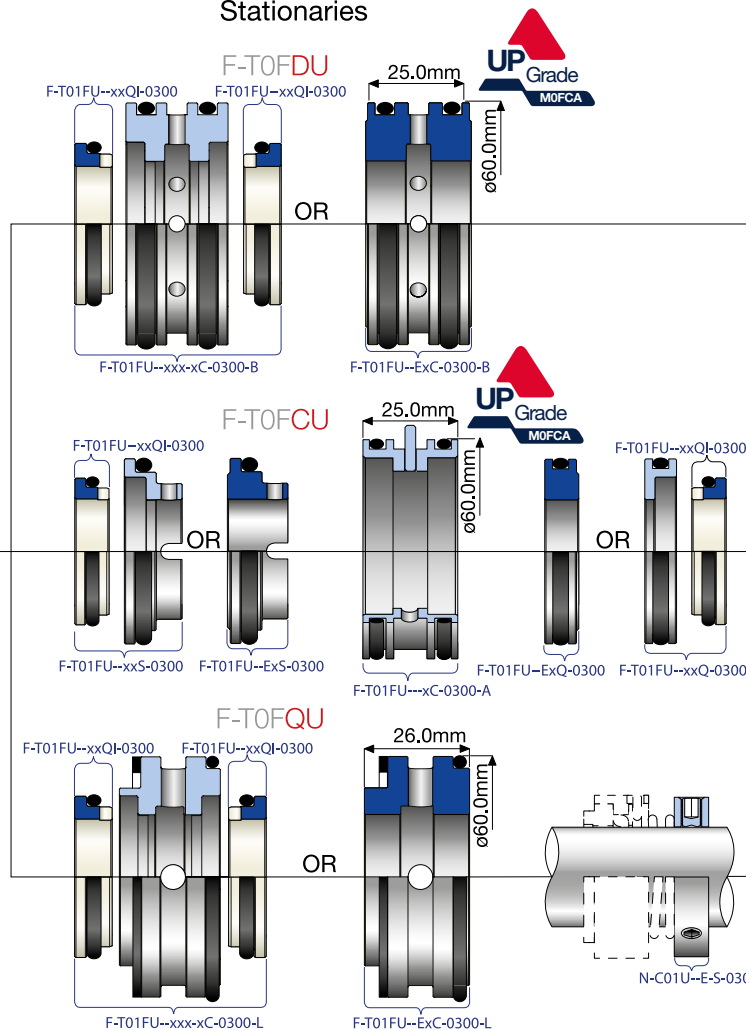
\*Available in T02FU Rotary Only

Build Code	Internal Rotary Type	External Rotary Type
1	F-T01FU-x-xS-0300	F-T01FU-x-xP-0300
A	F-T02FU-x-xS-0300	F-T01FU-x-xP-0300
D	F-T01FU-x-xS-0300-SE	F-T01FU-x-xP-0300
E	F-T02FU-x-xS-0300-S	F-T01FU-x-xP-0300
F	F-T02FU-x-xS-0300-S	F-T02FU-x-xP-0300
G	F-T01FU-x-xS-0300-SE	F-T02FU-x-xP-0300
M	F-T01FU-x-xS-0300-S	F-T01FU-x-xP-0300
N	F-T01FU-x-xS-0300-S	F-T02FU-x-xP-0300
O	F-T02FU-x-xS-0300	F-T02FU-x-xP-0300
T	F-T01FU-x-xS-0300	F-T02FU-x-xP-0300

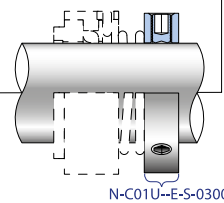
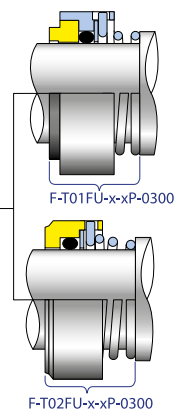
Internal Rotaries  
(Working Length 24mm)



Stationaries



Internal Rotaries  
(Working Length 22mm)



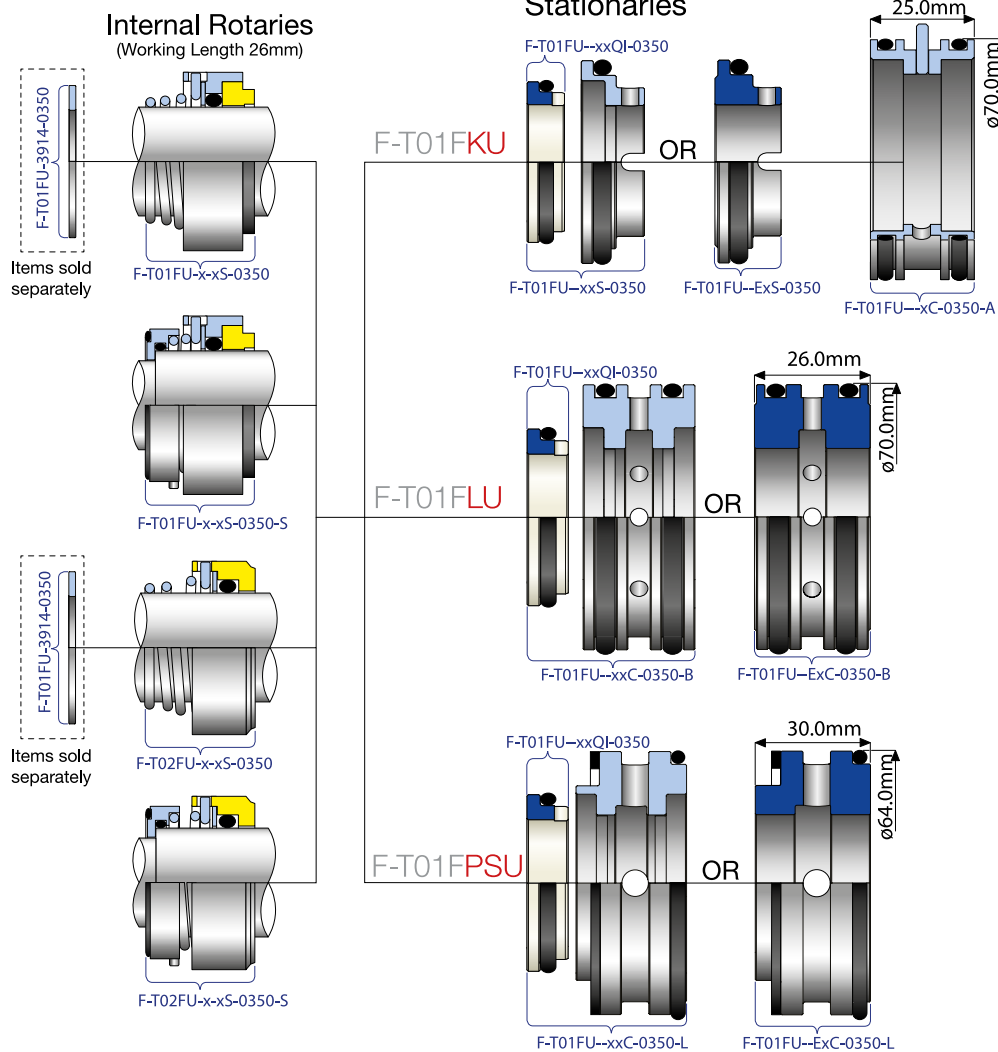
# 35mm Single Seals

Stock code: F-T01F<sup>xU</sup>-xxxx-0350

Rotary Face	Stationary Face	Elastomer
A - Carbon or G - Tungsten Carbide or J - Sintered SiC or *B - Ceramic or *E - Stainless Steel	A - Carbon or E - Stainless Steel or B - Ceramic or G - Tungsten Carbide or J - Sintered SiC	X - Nitrile (BUNA) or Y - EPDM (EPDM) or Z - Viton (FPM)

Build Code	Internal Rotary Type
1	F-T01FU-x-xS-0350
M	F-T01FU-x-xS-0350-S
A	F-T02FU-x-xS-0350
E	F-T02FU-x-xS-0350-S

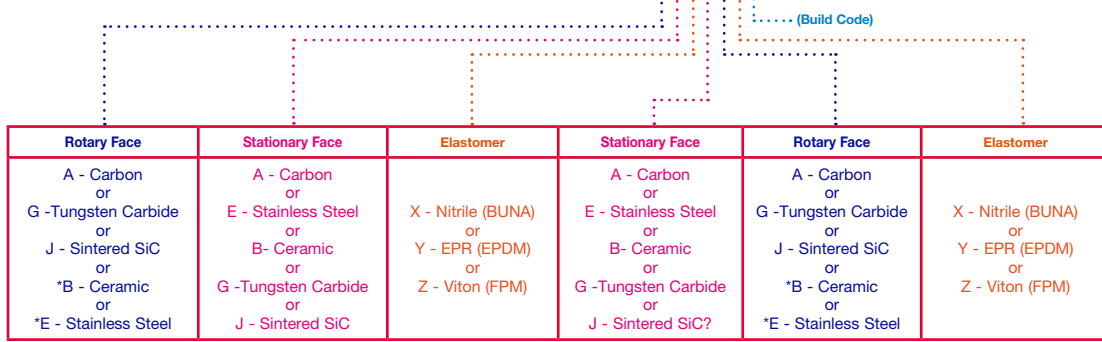
**\*Available in T02FU Rotary Only**





35mm Double Seals

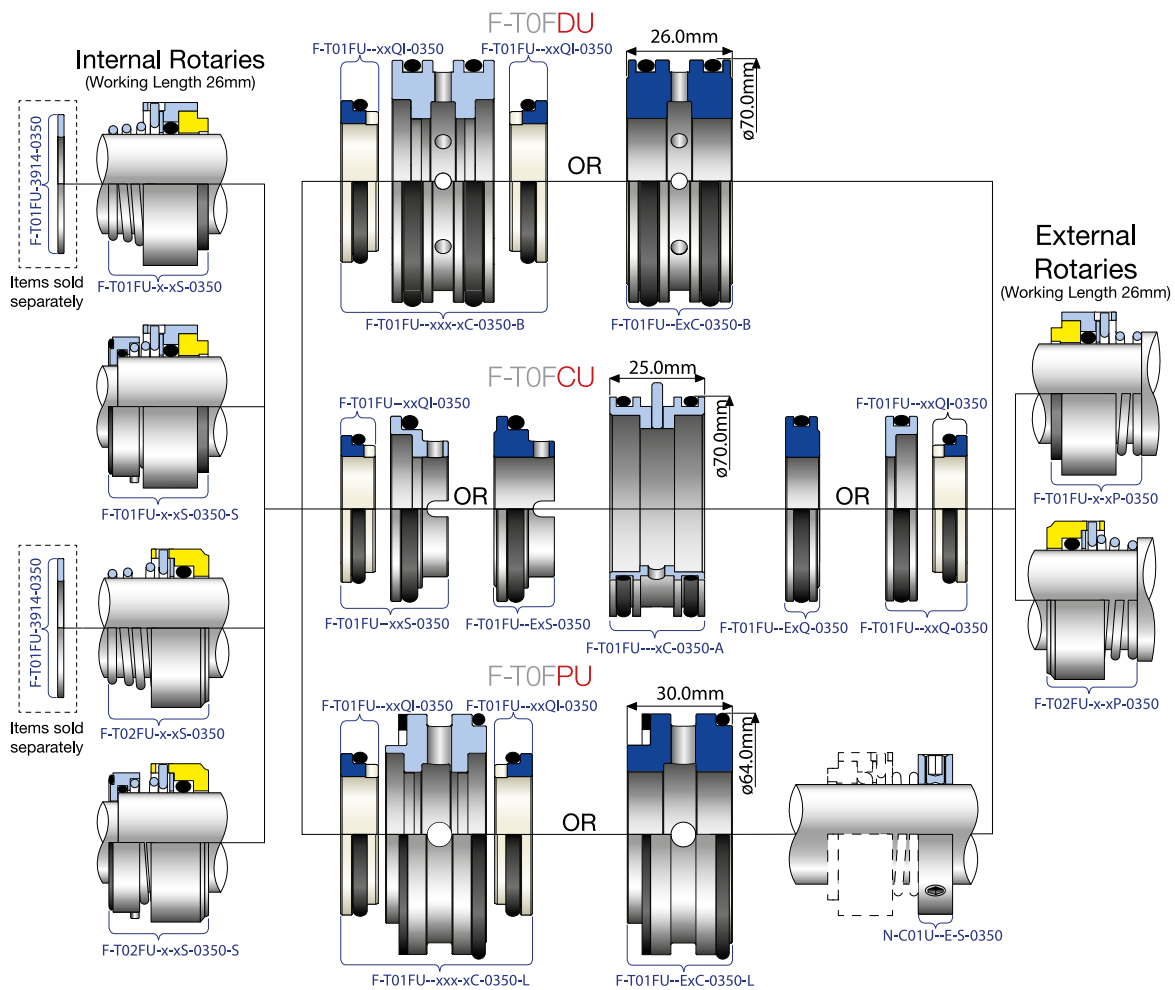
Stock code: F-T0FxU-xxxxxx-0350



\*Available in T02FU Rotary Only

Build Code	Internal Rotary Type	External Rotary Type
1	F-T01FU-x-xS-0350	F-T01FU-x-xP-0350
A	F-T02FU-x-xS-0350	F-T01FU-x-xP-0350
E	F-T02FU-x-xS-0350-S	F-T01FU-x-xP-0350
F	F-T02FU-x-xS-0350-S	F-T02FU-x-xP-0350
M	F-T01FU-x-xS-0350-S	F-T01FU-x-xP-0350
N	F-T01FU-x-xS-0350-S	F-T02FU-x-xP-0350
O	F-T02FU-x-xS-0350	F-T02FU-x-xP-0350
T	F-T01FU-x-xS-0350	F-T02FU-x-xP-0350

Stationaries



## M0FCx Range

Why upgrade?

- Reduced downtime by improved performance utilizing hydraulically balanced seal design every time
- Plug in Design reduces fitting time and ensures correct installation
- Sterile sealing rings reduce all product side bug traps

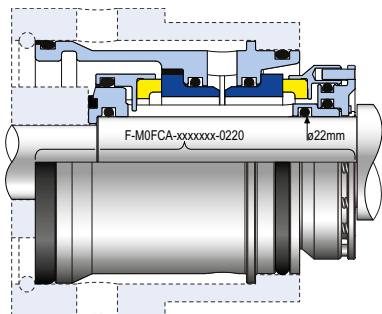
### Seal suits pump type:

FP, FPE, FPX, FR, FT, FZ

Stock code: F-M0FCx-XXXXXXXX-XXXX  
(Size)

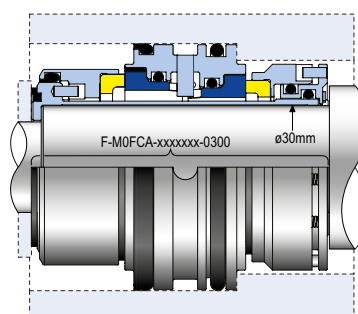
Rotary Face	Stationary Face	Elastomer	Stationary Face	Rotary Face	Elastomer	Build Code
A - Carbon or D - Silicon Carbide (RB)	G - Tungsten Carbide or J - Sintered SiC	I - AES Elast	G - Tungsten Carbide or J - Sintered SiC	A - Carbon	Y - EPR (EPDM)	S

### F-M0FCA



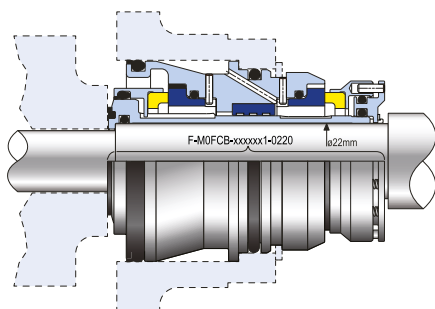
0220  
(Size)

### F-M0FCA



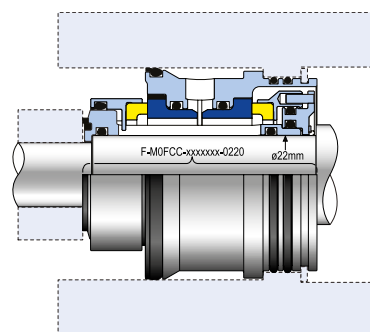
0300  
(Size)

### F-M0FCB



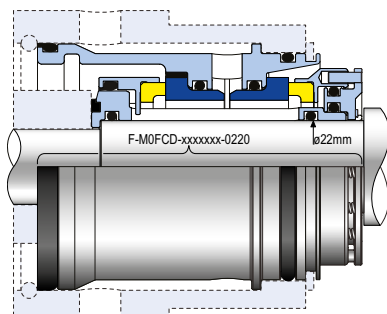
0220  
(Size)

### F-M0FCC



0220  
(Size)

### F-M0FCD



0220  
(Size)



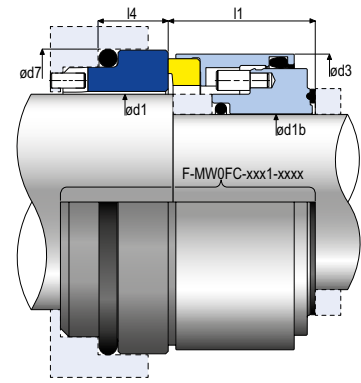
## MWOFC



Seal suits pump type:

FM 312, 322, 342

Stock code: F-MWOFC-xxxx-0430



Rotary Face	Stationary Face	Elastomer	Build Code
J - Sintered SiC	J - Sintered SiC	Y - EPR (EPDM)	1

Size	d1		d1b		d3		d7		l1		l4	
	Metric	Inches	Metric	Inches	Metric	Inches	Metric	Inches	Metric	Inches	Metric	Inches
0430	43.0	1.693	35.0	1.378	59.0	2.323	61.0	2.402	28.75	1.132	14.0	0.551

## WOFD

Seal suits pump type:

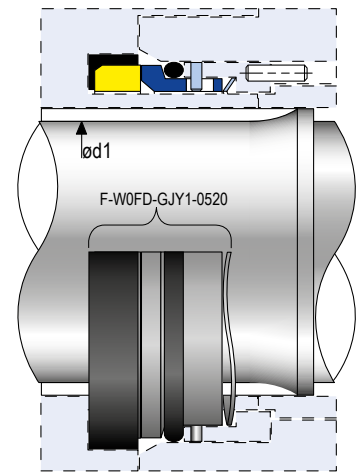
FKL 100, FKL V 100

Stock code: F-WOFD-xxxx-0520



Rotary Face	Stationary Face	Elastomer	Build Code
G - Tungsten Carbide	J - Sintered SiC	Y - EPR (EPDM)	1

Size	d1	
	Metric	Inches
0520	52.0	2.047



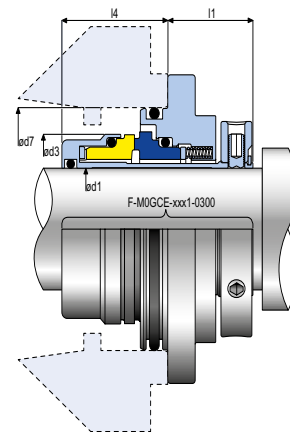
## MOGCE



Seal suits pump type:

FP, FPE, FPX, FR, FT, FZ

Stock code: F-MOGCE-xxxx-0300



Rotary Face	Stationary Face	Elastomer	Build Code
A - Carbon	D - Silicon Carbide (RB)	I - AES Elast	1

Size	d1		d3		d7		I1		I4	
	Metric	Inches	Metric	Inches	Metric	Inches	Metric	Inches	Metric	Inches
0300	30.00	1.181	46.81	1.843	60.00	2.362	24.85	0.978	30.88	1.216

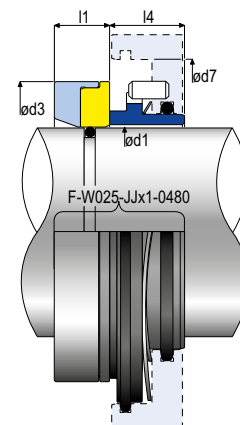
## W025 (Single Seal)



Seal suits pump type:

FKL 50

Stock code: F-W025-xxxx-0480



Rotary Face	Stationary Face	Elastomer	Build Code
J - Sintered SiC	J - Sintered SiC	X - Nitrile (BUNA) or Y - EPR (EPDM) or Z - Viton (FPM)	1

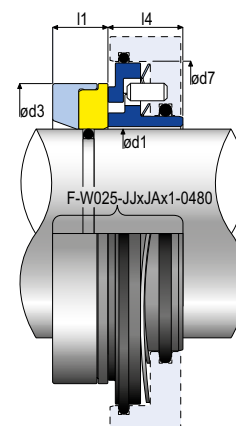
Size	d1		d3		d7		I1		I4	
	Metric	Inches	Metric	Inches	Metric	Inches	Metric	Inches	Metric	Inches
0480	48.0	1.890	69.0	2.717	64.0	2.520	12.7	0.500	18.0	0.709

## W025 (Double Seal)

Seal suits pump type:

FKL 50

Stock code: F-W025-XXXXXXXX-XXXX  
(Size)

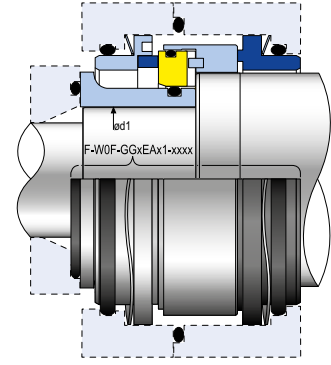


Rotary Face	Stationary Face	Elastomer	Rotary Face	Stationary Face	Elastomer	Build Code
J - Sintered SiC	J - Sintered SiC	X - Nitrile (BUNA) or Y - EPR (EPDM) or Z - Viton (FPM)	J - Sintered SiC	A - Carbon	X - Nitrile (BUNA) or Y - EPR (EPDM) or Z - Viton (FPM)	1

Size	d1		d3		d7		I1		I4	
	Metric	Inches	Metric	Inches	Metric	Inches	Metric	Inches	Metric	Inches
0480	48.0	1.890	69.0	2.717	78.0	3.071	12.7	0.500	18.0	0.709



WOF



Seal suits pump type:

FLII 130L, FLII 130S

Stock code: F-WOF-XXXXXXX-XXXX

Rotary Face	Stationary Face	Elastomer	Rotary Face	Stationary Face	Elastomer	Build Code	d1		
							Size	Metric	Inches
G - Tungsten Carbide	G - Tungsten Carbide	X - Nitrile (BUNA) or Y - EPR (EPDM) or Z - Viton (FPM)	E - Stainless Steel	A - Carbon	X - Nitrile (BUNA) or Y - EPR (EPDM) or Z - Viton (FPM)	1	0250	25.0	0.984
							0300	30.0	1.181
							0400	40.0	1.575
							0520	52.0	2.047

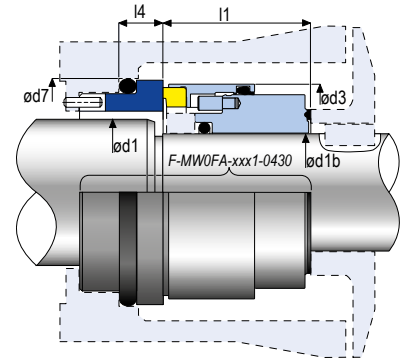
MWOFA



Seal suits pump type:

FPH

Stock code: F-MWOFA-xxxx-0430



Rotary Face	Stationary Face	Elastomer	Build Code
J - Sintered SiC	J - Sintered SiC	X - Nitrile (BUNA) or Y - EPR (EPDM) or Z - Viton (FPM)	1

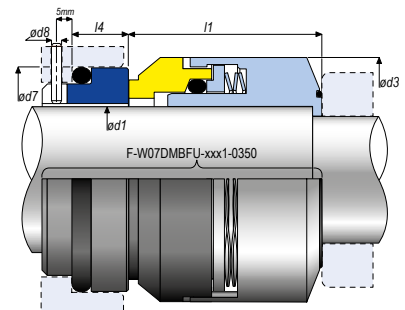
Size	d1		d1b		d3		d7		l1		l4	
	Metric	Inches	Metric	Inches	Metric	Inches	Metric	Inches	Metric	Inches	Metric	Inches
0430	43.0	1.693	32.0	1.260	59.0	2.323	61.0	2.402	40.00	1.575	14.0	0.551

W07DMBFU

Seal suits pump type:

FPH

Stock code: F-W07DMBFU-xxxx-0350



Rotary Face	Stationary Face	Elastomer	Build Code
A - Carbon or J - Sintered SiC or G - Tungsten Carbide	J - Sintered SiC	X - Nitrile (BUNA) or Y - EPR (EPDM) or Z - Viton (FPM)	1

Size	d1		d3		d7		l1		l4	
	Metric	Inches	Metric	Inches	Metric	Inches	Metric	Inches	Metric	Inches
0350	35.0	1.378	56.0	2.205	50.0	1.969	44.5	1.752	11.5	0.453

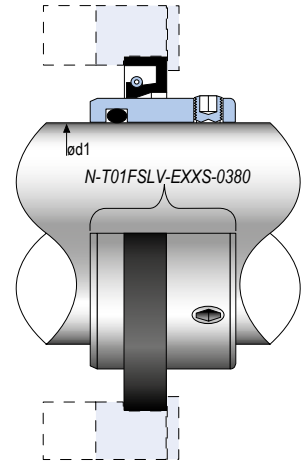


## T01FSLV



Seal to be used with MW0FC or MW0FA for flushed configuration

Stock code: N-T01FSLV-xxxx-0380



Rotary Face	Stationary Face	Elastomer	Build Code
E - Stainless Steel	X - Nitrile (BUNA)	X - Nitrile (BUNA)	S

Size	d1	
	Metric	Inches
0380	38.0	1.496

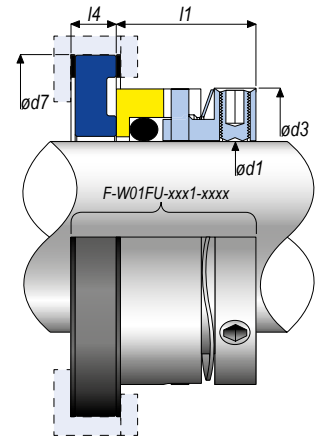
## W01FU

Why upgrade?

- Mechanical seal technology improves machinery reliability

Seal to be used with MW0FC or MW0FA for flushed configuration

Stock code: F-W01FU-xxxx-xxxx



Rotary Face	Stationary Face	Elastomer	Build Code	d1		d3		d7		I1		I4		
				Size	Metric	Inches	Metric	Inches	Metric	Inches	Metric	Inches	Metric	Inches
E - Stainless Steel or G - Tungsten Carbide	A - Carbon or G - Tungsten Carbide	Y - EPDM (EPDM) or Z - Viton (FPM)	1	0220	22.0	0.866	33.0	1.300	45.0	1.771	19.1	0.750	8.0	0.315
				0380	38.0	1.496	51.8	2.039	62.0	2.441	21.1	0.831	8.0	0.315

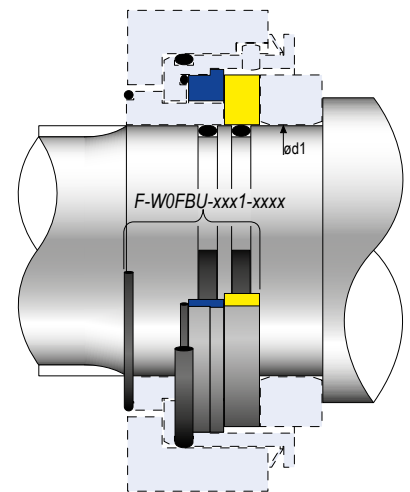
## W0FBU



Seal suits pump type:

FKF, KFN, FLF, FLN, FLV

Stock code: F-W0FBU-xxxx-xxxx



Rotary Face	Stationary Face	Elastomer	Build Code
A - Carbon or G - Tungsten Carbide	E - Stainless Steel or G - Tungsten Carbide	X - Nitrile (BUNA) or Y - EPDM (EPDM) or Z - Viton (FPM)	1

Size	d1	
	Metric	Inches
0210	21.0	0.826
0310	31.0	1.220
0380	38.0	1.496
0520	52.0	2.047



## Pump Manufacturer: Giusti Pumps

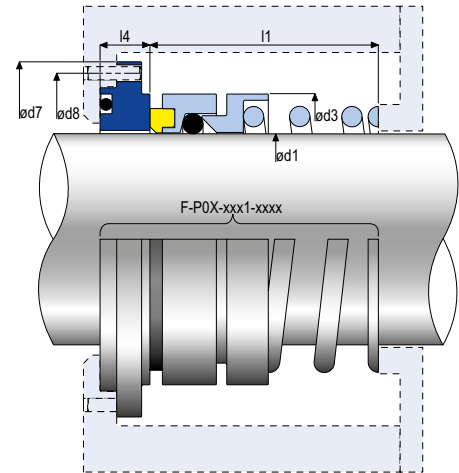
Manufacturer Pump Type	AESSEAL® Seal Type
GIUSTIMIX	P0X

P0X



Seal suits pump type:  
GIUSTIMIX

Stock code: F-P0X-XXXX-XXXX  
(Size)



Rotary Face	Stationary Face	Elastomer	Build Code
A - Carbon	E - Stainless Steel	X - Nitrile (BUNA) or Y - EPDM (EPDM) or Z - Viton (FPM)	1

Size	d1		d3		d7		d8		l1		l4	
	Metric	Inches	Metric	Inches	Metric	Inches	Metric	Inches	Metric	Inches	Metric	Inches
0381	38.1	1.500	54.0	2.126	69.9	2.750	64.0	2.520	55.0	2.165	12.0	0.472
0508	50.8	2.000	70.0	2.756	85.5	3.366	80.0	3.150	55.0	2.165	12.0	0.472

## Pump Manufacturer: Hilge

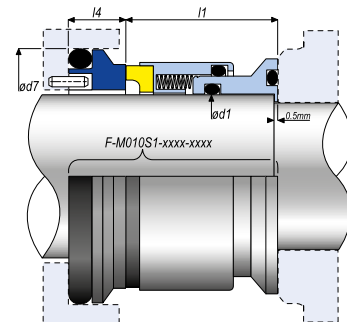
Manufacturer Pump Type	AESSEAL® Seal Type
Hygiana	M010S1
Domina S	W06U
Euro-HYGIA	M010S2
Euro-HYGIA, HYGIA, Panda, Sipla	M010S3
Euro-HYGIA	T01LOU, T02LOU
Maxa, Maxana	T01LFU, T02LFU
Maxa, Maxana	T01LKU
Contra, Durietta, Euro-HYGIA, HYGIA, Sipla	T03HU
Domina I	W04U

## M010S1



Seal suits pump type:  
Hygiana

Stock code: F-M010S1-xxxx-xxxx



Rotary Face	Stationary Face	Elastomer	Build Code
A - Carbon or J - Sintered SiC	J - Sintered SiC	Y - EPR (EPDM) or Z - Viton (FPM)	1

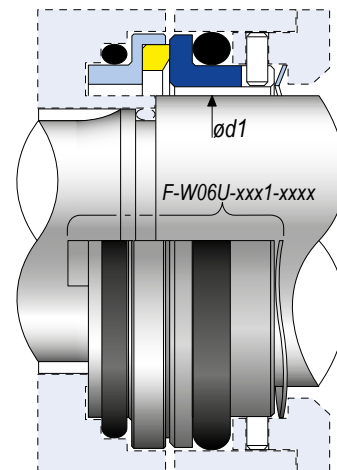
Size	d1		d7		I1		I4	
	Metric	Inches	Metric	Inches	Metric	Inches	Metric	Inches
0280	28.0	1.102	48.0	1.89	34.5	1.359	10.6	0.417
0380	38.0	1.496	57.1	2.25	35.0	1.375	10.6	0.417

## W06U



Seal suits pump type:  
Domina S

Stock code: F-W06U-xxxx-xxxx



Rotary Face	Stationary Face	Elastomer	Build Code
A - Carbon or J - Sintered SiC or G - Tungsten Carbide	E - Stainless Steel or G - Tungsten Carbide	X - Nitrile (BUNA) or Y - EPR (EPDM) or Z - Viton (FPM)	1

Size	d1	
	Metric	Inches
0240	24.0	0.945
0420	42.0	1.654*
0530	53.0	2.087
0750	75.0	2.953

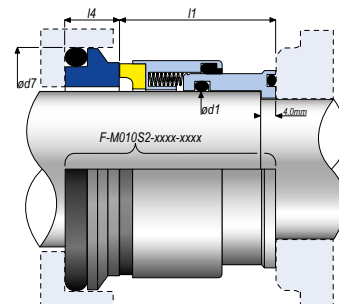
\* 42mm also available as double seal

## M010S2



Seal suits pump type:  
Euro-HYGIA

Stock code: F-M010S2-xxxx-0280



Rotary Face	Stationary Face	Elastomer	Build Code
A - Carbon or J - Sintered SiC	J - Sintered SiC	Y - EPR (EPDM)	1

Size	d1		d7		I1		I4	
	Metric	Inches	Metric	Inches	Metric	Inches	Metric	Inches
0280	28.0	1.102	48.0	1.890	38.0	1.496	10.6	0.417

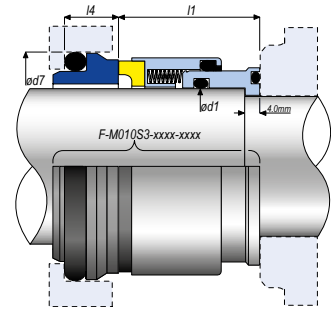


## M010S3



**Seal suits pump type:**  
Euro-HYGIA, HYGIA, Panda, Sipla

Stock code: F-M010S3-XXXX-XXXX



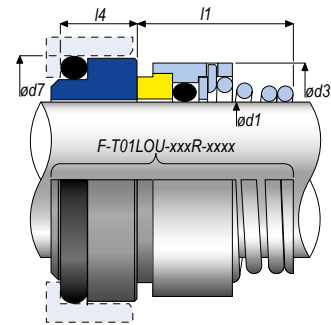
Rotary Face	Stationary Face	Elastomer	Build Code	d1		d7		I1		I4		
				Size	Metric	Inches	Metric	Inches	Metric	Inches	Metric	Inches
A - Carbon or J - Sintered SiC	J - Sintered SiC	Y - EPDM (EPDM) or Z - Viton (FPM)	1	0190	19.0	0.748	30.9	1.217	29.0	1.142	8.0	0.315
				0280	28.0	1.102	43.3	1.705	33.0	1.299	9.0	0.354
				0380	38.0	1.496	60.5	2.382	43.0	1.693	11.5	0.453

## T01LOU



**Seal suits pump type:**  
Euro-HYGIA

Stock code: F-T01LOU-XXXX-XXXX



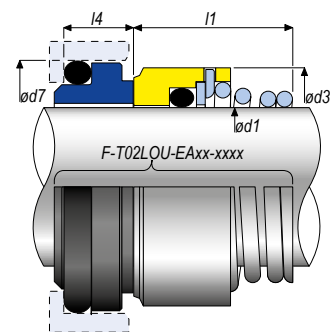
Rotary Face	Stationary Face	Elastomer	Build Code	d1		d3		d7		I1		I4		
				Size	Metric	Inches	Metric	Inches	Metric	Inches	Metric	Inches	Metric	Inches
A - Carbon or D - Silicon Carbide (RB) or J - Sintered SiC	D - Silicon Carbide (RB) or J - Sintered SiC	X - Nitrile (BUNA) or Y - EPDM (EPDM) or Z - Viton (FPM)	R	0190	19.0	0.748	31.0	1.260	35.0	1.378	22.0	0.866	7.5	0.295
				0280	28.0	1.102	42.0	1.653	42.0	1.654	26.5	1.043	9.0	0.354
				0300	30.0	1.181	44.0	1.732	45.0	1.772	25.0	0.984	10.5	0.413
				0380	38.0	1.496	54.0	2.126	55.0	2.165	32.2	1.268	10.3	0.406
				0400	40.0	1.575	56.0	2.205	58.0	2.283	34.7	1.366	10.8	0.425
				0500	50.0	1.969	66.0	2.598	70.0	2.756	45.9	1.799	11.6	0.457

## T02LOU



**Seal suits pump type:**  
Euro-HYGIA

Stock code: F-T02LOU-XXXX-XXXX



Rotary Face	Stationary Face	Elastomer	Build Code	d1		d3		d7		I1		I4		
				Size	Metric	Inches	Metric	Inches	Metric	Inches	Metric	Inches	Metric	Inches
B - Alumina Ceramic or E - Stainless Steel	A - Carbon	X - Nitrile (BUNA) or Y - EPDM (EPDM) or Z - Viton (FPM)	R L	0190	19.0	0.748	31.0	1.260	35.0	1.378	22.0	0.866	7.5	0.295
				0280	28.0	1.102	42.0	1.653	42.0	1.654	26.5	1.043	9.0	0.354
				0300	30.0	1.181	44.0	1.732	45.0	1.772	25.0	0.984	10.5	0.413
				0380	38.0	1.496	54.0	2.126	55.0	2.165	32.2	1.268	10.3	0.406
				0400	40.0	1.575	56.0	2.205	58.0	2.283	34.7	1.366	10.8	0.425
				0500	50.0	1.969	66.0	2.598	70.0	2.756	45.9	1.799	11.6	0.457

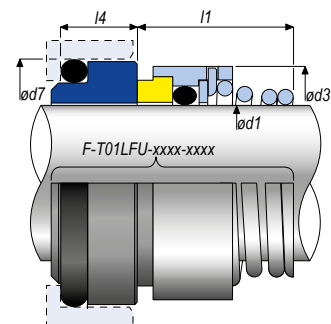
## T01LFU



**Seal suits pump type:**

Maxa, Maxana

Stock code: F-T01LFU-XXXX-XXXX



Rotary Face	Stationary Face	Elastomer	Build Code
A - Carbon or J - Sintered SiC	J - Sintered SiC or D - Silicon Carbide (RB)	Y - EPDM (EPDM) or Z - Viton (FPM)	R L

Size	d1		d3		d7		I1		I4	
	Metric	Inches	Metric	Inches	Metric	Inches	Metric	Inches	Metric	Inches
0220	22.0	0.866	36.0	1.417	37.0	1.457	23.5	0.925	10.0	0.394
0300	30.0	1.181	44.0	1.732	45.0	1.772	31.5	1.240	11.0	0.433
0400	40.0	1.575	56.0	2.205	58.0	2.283	33.5	1.319	11.5	0.453
0500	50.0	1.969	66.0	2.598	70.0	2.756	33.5	1.358	13.0	0.512

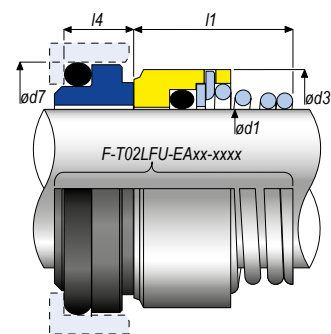
## T02LFU



**Seal suits pump type:**

Maxa, Maxana

Stock code: F-T02LFU-XXXX-XXXX



Rotary Face	Stationary Face	Elastomer	Build Code
B - Alumina Ceramic or E - Stainless Steel	A - Carbon	X - Nitrile (BUNA) or Y - EPDM (EPDM) or Z - Viton (FPM)	R L

Size	d1		d3		d7		I1		I4	
	Metric	Inches	Metric	Inches	Metric	Inches	Metric	Inches	Metric	Inches
0220	22.0	0.866	36.0	1.417	37.0	1.457	23.5	0.925	10.0	0.394
0300	30.0	1.181	44.0	1.732	45.0	1.772	31.5	1.240	11.0	0.433
0400	40.0	1.575	56.0	2.205	58.0	2.283	33.5	1.319	11.5	0.453
0500	50.0	1.969	66.0	2.598	70.0	2.756	33.5	1.358	13.0	0.512

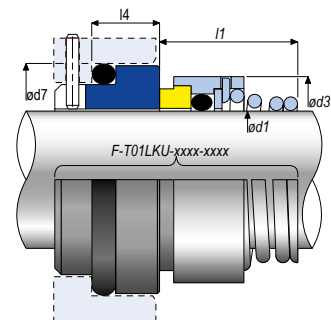
## T01LKU



**Seal suits pump type:**

Maxa, Maxana

Stock code: F-T01LKU-XXXX-XXXX



Rotary Face	Stationary Face	Elastomer	Build Code
A - Carbon or J - Sintered SiC	J - Sintered SiC	X - Nitrile (BUNA) or Y - EPDM (EPDM) or Z - Viton (FPM)	R L

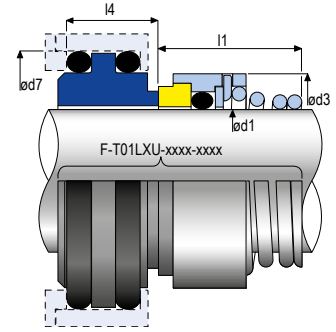
Size	d1		d3		d7		I1		I4	
	Metric	Inches	Metric	Inches	Metric	Inches	Metric	Inches	Metric	Inches
0300	30.0	1.181	44.0	1.732	45.0	1.772	31.5	1.240	11.0	0.433
0400	40.0	1.575	56.0	2.205	58.0	2.283	33.5	1.319	11.5	0.453
0500	50.0	1.969	66.0	2.598	70.0	2.756	33.5	1.319	14.0	0.551



## T01LXU



Stock code: F-T01LXU-XXXX-XXXX



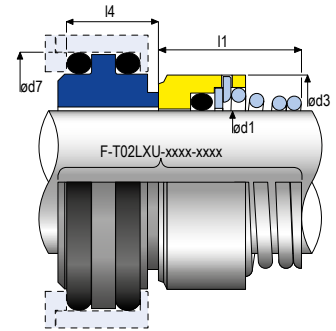
Rotary Face	Stationary Face	Elastomer	Build Code
A - Carbon or J - Sintered SIC	J - Sintered SIC	X - Nitrile (BUNA) or Y - EPR (EPDM) or Z - Viton (FPM)	R

Size	d1		d3		d7		l1		l4	
	Metric	Inches	Metric	Inches	Metric	Inches	Metric	Inches	Metric	Inches
0190	19.0	0.748	31.0	1.220	39.3	1.547	20.0	0.787	15.0	0.591
0280	28.0	1.102	40.0	1.575	47.3	1.862	24.5	0.965	15.5	0.610

## T02LXU



Stock code: F-T02LXU-XXXX-XXXX



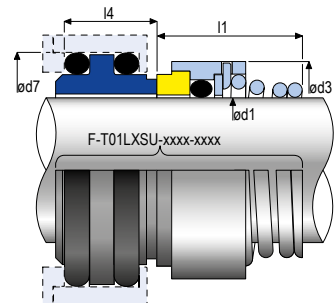
Rotary Face	Stationary Face	Elastomer	Build Code
B - Alumina Ceramic or E - Stainless Steel	A - Carbon	X - Nitrile (BUNA) or Y - EPR (EPDM) or Z - Viton (FPM)	R

Size	d1		d3		d7		l1		l4	
	Metric	Inches	Metric	Inches	Metric	Inches	Metric	Inches	Metric	Inches
0190	19.0	0.748	31.0	1.220	39.3	1.547	20.0	0.787	15.0	0.591
0280	28.0	1.102	40.0	1.575	47.3	1.862	24.5	0.965	15.5	0.610

## T01LXSU



Stock code: F-T01LXSU-XXXX-XXXX



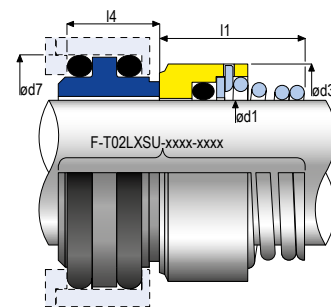
Rotary Face	Stationary Face	Elastomer	Build Code
A - Carbon or J - Sintered SIC	J - Sintered SIC	X - Nitrile (BUNA) or Y - EPR (EPDM) or Z - Viton (FPM)	R

Size	d1		d3		d7		l1		l4	
	Metric	Inches	Metric	Inches	Metric	Inches	Metric	Inches	Metric	Inches
0190	19.0	0.748	32.0	1.260	35.0	1.378	20.0	0.787	15.0	0.591
0280	28.0	1.102	42.0	1.654	41.3	1.626	24.5	0.965	15.5	0.610

## T02LXSU



Stock code: F-T02LXSU-XXXX-XXXX



Rotary Face	Stationary Face	Elastomer	Build Code
E - Stainless Steel or B - Alumina Ceramic	A - Carbon	X - Nitrile (BUNA) or Y - EPR (EPDM) or Z - Viton (FPM)	R

Size	d1		d3		d7		I1		I4	
	Metric	Inches	Metric	Inches	Metric	Inches	Metric	Inches	Metric	Inches
0190	19.0	0.748	32.0	1.260	35.0	1.378	20.0	0.787	15.0	0.591
0280	28.0	1.102	42.0	1.654	41.3	1.626	24.5	0.965	15.5	0.610

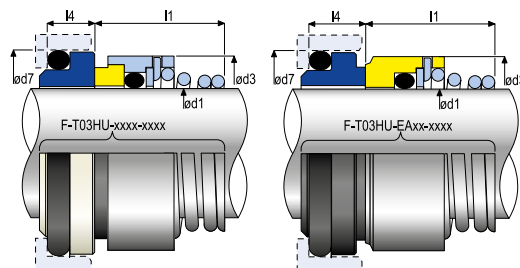
## T03HU



Seal suits pump type:

Contra, Durietta, Euro-HYGIA, HYGIA, Sipla

Stock code: F-T03HU-XXXX-XXXX



Rotary Face	Stationary Face	Elastomer	Build Code
B - Alumina Ceramic or E - Stainless Steel or J - Sintered SiC	A - Carbon or J - Sintered SiC or B - Ceramic	X - Nitrile (BUNA) or Y - EPR (EPDM) or Z - Viton (FPM)	R

Size	d1		d3		d7		I1		I4	
	Metric	Inches	Metric	Inches	Metric	Inches	Metric	Inches	Metric	Inches
0190	19.0	0.748	32.0	1.260	30.9	1.217	25.0	0.984	8.0	0.315
0280	28.0	1.102	42.0	1.654	43.3	1.705	29.0	1.142	9.0	0.354
0380	38.0	1.496	54.0	2.126	60.5	2.382	39.0	1.535	11.5	0.453

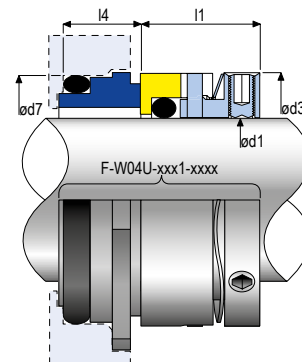
## W04U



Seal suits pump type:

Domina I

Stock code: F-W04U-XXXX-XXXX



Rotary Face	Stationary Face	Elastomer	Build Code
E - Stainless Steel or G -Tungsten Carbide	A - Carbon or G -Tungsten Carbide	X - Nitrile (BUNA) or Y - EPR (EPDM) or Z - Viton (FPM)	1

Size	d1		d3		d7		I1		I4	
	Metric	Inches	Metric	Inches	Metric	Inches	Metric	Inches	Metric	Inches
0300	30.0	1.181	41.0	1.614	40.0	1.575	19.1	0.752	9.3	0.366
0350	35.0	1.378	45.5	1.791	44.5	1.752	19.1	0.752	9.2	0.362
0500	50.0	1.969	61.9	2.437	62.0	2.441	21.1	0.831	10.4	0.409
0700	70.0	2.756	88.9	3.500	85.0	3.346	25.8	1.016	14.1	0.555
0800	80.0	3.150	101.0	3.976	95.0	3.740	25.8	1.016	16.2	0.638



# Pump Manufacturer: Inoxpa

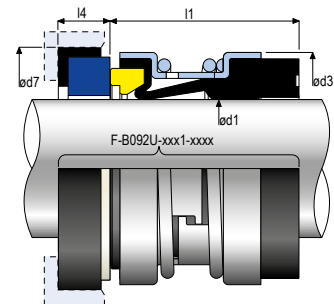
Manufacturer Pump Type	AESSEAL® Seal Type
Hyginox	B092U (25mm)
Prolac R, Prolac S, M25 Blender	M07U
Estampinox	T03U (25mm)
Aspir	W01U
Prolac R, M25 Blender, SLR, TLS	W011U

## B092U



**Seal suits pump type:**  
Hyginox

Stock code: F-B092U-xxxx-0250



Rotary Face	Stationary Face	Elastomer	Build Code
A - Carbon or J - Sintered SiC or G - Tungsten Carbide	B - Alumina Ceramic or J - Sintered SiC or G - Tungsten Carbide	X - Nitrile (BUNA) or Y - EPDM (EPDM) or Z - Viton (FPM)	1

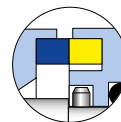
Size	d1		d3		d7		I1		I4	
	Metric	Inches	Metric	Inches	Metric	Inches	Metric	Inches	Metric	Inches
0250	25.0	0.984	38.8	1.528	32.5	1.280	40.0	1.575	7.5	0.295

## M07U

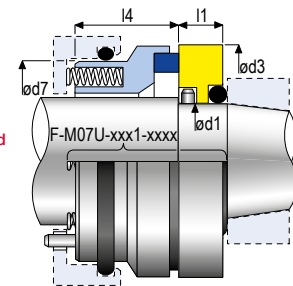


**Seal suits pump type:**  
Prolac R, Prolac S, M25 Blender

Stock code: F-M07U-xxxx-xxxx



Inserted rotary for Silicon and Tungsten face materials



Monolithic rotary for Stainless Steel

Rotary Face	Stationary Face	Elastomer	Build Code
E - Stainless Steel or G - Tungsten Carbide or J - Sintered SiC	A - Carbon or G - Tungsten Carbide or J - Sintered SiC	X - Nitrile (BUNA) or Y - EPDM (EPDM) or Z - Viton (FPM)	1

Size	d1		d3		d7		I1		I4	
	Metric	Inches	Metric	Inches	Metric	Inches	Metric	Inches	Metric	Inches
0158	15.8	0.625	44.5	1.752	36.1	1.421	10.5	0.413	24.0	0.945
0245	25.4	1.000	53.5	2.106	44.0	1.732	10.0	0.394	24.0	0.945
0381	38.1	1.500	74.0	2.913	64.0	2.520	15.5	0.610	28.0	1.102

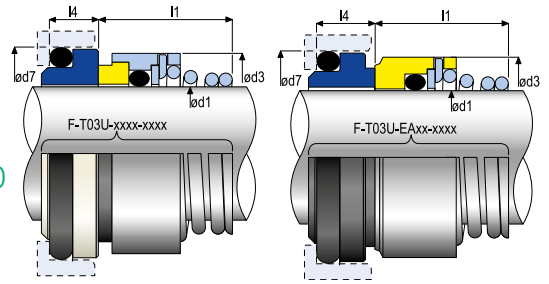


## T03U



Seal suits pump type:  
Estampinox

Stock code: F-T03U-xxxx-0250



Rotary Face	Stationary Face	Elastomer	Build Code
* B - Alumina Ceramic or * E - Stainless Steel or J - Sintered SIC	A - Carbon or D - Silicon Carbide (RB)	X - Nitrile (BUNA) or Y - EPR (EPDM) or Z - Viton (FPM)	R

Size	d1		d3		d7		I1		I4	
	Metric	Inches	Metric	Inches	Metric	Inches	Metric	Inches	Metric	Inches
0250	25.0	0.984	39.0	1.535	38.2	1.504	27.0	1.063	8.5	0.335

## W01U



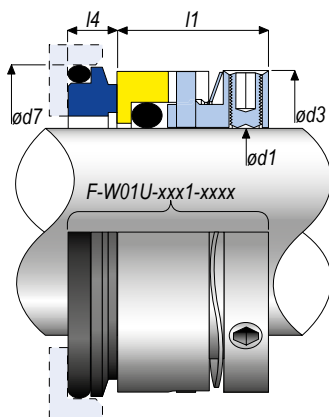
Seal suits pump type:

Aspir

Stock code: F-W01U-xxxx-xxxx

Rotary Face	Stationary Face	Elastomer	Build Code
E - Stainless Steel or G - Tungsten Carbide	A - Carbon or G - Tungsten Carbide	X - Nitrile (BUNA) or Y - EPR (EPDM) or Z - Viton (FPM)	I

Size	d1		d3		d7		I1		I4	
	Metric	Inches	Metric	Inches	Metric	Inches	Metric	Inches	Metric	Inches
0158	15.8	0.622	27.0	1.063	28.6	1.126	19.1	0.752	6.3	0.248
0160	16.0	0.630	27.0	1.063	28.6	1.126	19.1	0.752	6.3	0.248
0191	19.1	0.752	30.0	1.181	31.7	1.248	19.1	0.752	6.3	0.248
0240	24.0	0.945	34.1	1.343	35.4	1.394	19.1	0.752	7.6	0.299
0280	28.0	1.102	40.0	1.575	42.0	1.654	19.1	0.752	7.6	0.299
0286	28.6	1.126	39.5	1.555	41.2	1.622	19.1	0.752	7.6	0.299
0300	30.0	1.181	41.0	1.614	42.7	1.681	19.1	0.752	7.6	0.299
0317	31.7	1.248	42.4	1.669	44.2	1.740	19.1	0.752	7.6	0.299
0320	32.0	1.260	42.4	1.669	44.4	1.748	19.1	0.752	7.6	0.299
0349	34.9	1.374	45.5	1.791	47.6	1.874	19.1	0.752	7.6	0.299
0350	35.0	1.378	45.5	1.791	47.6	1.874	19.1	0.752	7.6	0.299
0380	38.0	1.496	51.8	2.039	53.9	2.122	21.1	0.831	8.1	0.319
0381	38.1	1.500	51.8	2.039	53.9	2.122	21.1	0.831	8.1	0.319
0444	44.4	1.748	58.2	2.291	60.3	2.374	21.1	0.831	8.1	0.319
0476	47.6	1.874	61.4	2.417	63.5	2.500	21.1	0.831	8.1	0.319
0500	50.0	1.969	61.9	2.437	63.9	2.516	21.1	0.831	8.1	0.319
0508	50.8	2.000	64.6	2.543	66.6	2.622	22.1	0.870	9.6	0.378
0539	53.9	2.122	71.0	2.795	73.0	2.874	22.1	0.870	9.6	0.378
0540	54.0	2.126	71.0	2.795	73.9	2.909	22.1	0.870	9.6	0.378
0546	54.6	2.150	72.0	2.835	75.0	2.953	22.1	0.870	9.6	0.378
0550	55.0	2.165	72.0	2.835	75.0	2.953	22.1	0.870	9.6	0.378
0630	63.0	2.480	79.3	3.122	83.0	3.268	25.8	1.016	9.1	0.358
0635	63.5	2.500	79.3	3.122	88.9	3.500	25.8	1.016	9.1	0.358
0698	69.8	2.748	88.9	3.500	95.2	3.748	25.8	1.016	9.1	0.358
0730	73.0	2.874	94.0	3.701	98.4	3.874	25.8	1.016	9.1	0.358
0750	75.0	2.953	96.0	3.780	100.4	3.953	25.8	1.016	9.1	0.358
0800	80.0	3.150	101.0	3.976	104.0	4.094	25.8	1.016	9.1	0.358

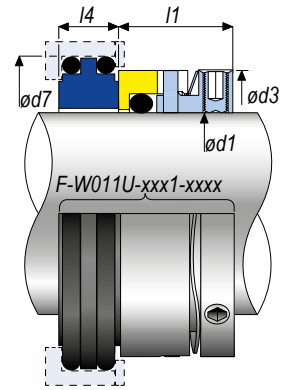


## W011U



**Seal suits pump type:**  
Prolac R, M25 Blender, SLR, TLS

Stock code: F-W011U-XXXX-XXXX



Rotary Face	Stationary Face	Elastomer	Build Code
E - Stainless Steel or G - Tungsten Carbide	A - Carbon	X - Nitrile (BUNA) or Y - EPDM (EPDM) or Z - Viton (FPM)	1

Size	d1		d3		d7		I1		I4	
	Metric	Inches	Metric	Inches	Metric	Inches	Metric	Inches	Metric	Inches
0280	28.0	1.102	40.0	1.575	46.0	1.811	19.1	0.752	10.1	0.398
0350	35.0	1.378	45.5	1.791	53.0	2.087	19.1	0.752	12.0	0.472
0500	50.0	1.969	61.9	2.437	70.0	2.756	23.0	0.906	12.0	0.472
0650*	65.0	2.559	86.0	3.386	92.2	3.630	-	-	14.0	0.551

\* 65mm rotary fits a stepped shaft therefore inner barrel not supplied.

## Pump Manufacturer: Jabscó

Manufacturer Pump Type	AESSEAL® Seal Type
Hy-Line LH, Ultima LU	W015U
24 Series, Pureflo	W01U
B1	W09U

## W015U

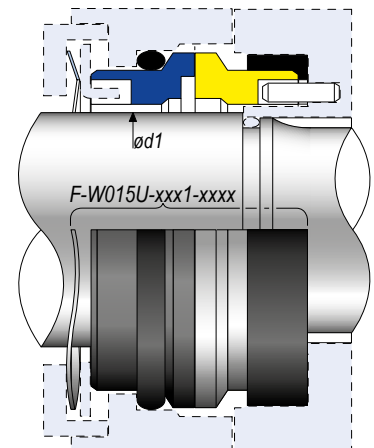


**Seal suits pump type:**  
Hy-Line LH, Ultima LU

Stock code: F-W015U-XXXX-XXXX

Rotary Face	Stationary Face	Elastomer	Build Code
E - Stainless Steel or J - Sintered SIC	A - Carbon or J - Sintered SIC	Y - EPDM (EPDM) or Z - Viton (FPM)	1

Size	d1	
	Metric	Inches
0254	25.4	1.000
0349	34.9	1.374
0476	47.6	1.875



## W01U

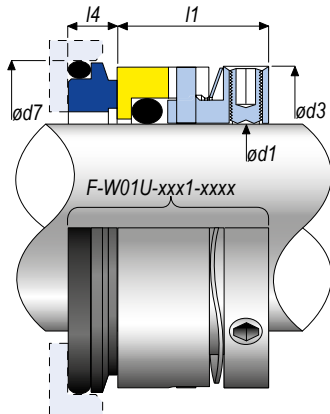


### Seal suits pump type:

24 Series, Pureflo

Stock code: F-W01U-XXXX-XXXX

Rotary Face	Stationary Face	Elastomer	Build Code
E - Stainless Steel or G - Tungsten Carbide	A - Carbon or G - Tungsten Carbide	X - Nitrile (BUNA) or Y - EPR (EPDM) or Z - Viton (FPM)	I



Size	d1		d3		d7		I1		I4	
	Metric	Inches	Metric	Inches	Metric	Inches	Metric	Inches	Metric	Inches
0158	15.8	0.622	27.0	1.063	28.6	1.126	19.1	0.752	6.3	0.248
0160	16.0	0.630	27.0	1.063	28.6	1.126	19.1	0.752	6.3	0.248
0191	19.1	0.752	30.0	1.181	31.7	1.248	19.1	0.752	6.3	0.248
0240	24.0	0.945	34.1	1.343	35.4	1.394	19.1	0.752	7.6	0.299
0280	28.0	1.102	40.0	1.575	42.0	1.654	19.1	0.752	7.6	0.299
0286	28.6	1.126	39.5	1.555	41.2	1.622	19.1	0.752	7.6	0.299
0300	30.0	1.181	41.0	1.614	42.7	1.681	19.1	0.752	7.6	0.299
0317	31.7	1.248	42.4	1.669	44.2	1.740	19.1	0.752	7.6	0.299
0320	32.0	1.260	42.4	1.669	44.4	1.748	19.1	0.752	7.6	0.299
0349	34.9	1.374	45.5	1.791	47.6	1.874	19.1	0.752	7.6	0.299
0350	35.0	1.378	45.5	1.791	47.6	1.874	19.1	0.752	7.6	0.299
0380	38.0	1.496	51.8	2.039	53.9	2.122	21.1	0.831	8.1	0.319
0381	38.1	1.500	51.8	2.039	53.9	2.122	21.1	0.831	8.1	0.319
0444	44.4	1.748	58.2	2.291	60.3	2.374	21.1	0.831	8.1	0.319
0476	47.6	1.874	61.4	2.417	63.5	2.500	21.1	0.831	8.1	0.319
0500	50.0	1.969	61.9	2.437	63.9	2.516	21.1	0.831	8.1	0.319
0508	50.8	2.000	64.6	2.543	66.6	2.622	22.1	0.870	9.6	0.378
0539	53.9	2.122	71.0	2.795	73.0	2.874	22.1	0.870	9.6	0.378
0540	54.0	2.126	71.0	2.795	73.9	2.909	22.1	0.870	9.6	0.378
0546	54.6	2.150	72.0	2.835	75.0	2.953	22.1	0.870	9.6	0.378
0550	55.0	2.165	72.0	2.835	75.0	2.953	22.1	0.870	9.6	0.378
0630	63.0	2.480	79.3	3.122	83.0	3.268	25.8	1.016	9.1	0.358
0635	63.5	2.500	79.3	3.122	88.9	3.500	25.8	1.016	9.1	0.358
0698	69.8	2.748	88.9	3.500	95.2	3.748	25.8	1.016	9.1	0.358
0730	73.0	2.874	94.0	3.701	98.4	3.874	25.8	1.016	9.1	0.358
0750	75.0	2.953	96.0	3.780	100.4	3.953	25.8	1.016	9.1	0.358
0800	80.0	3.150	101.0	3.976	104.0	4.094	25.8	1.016	9.1	0.358

## W09U

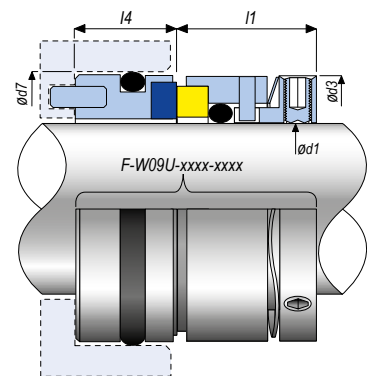


### Seal suits pump type:

B1

Stock code: F-W09U-XXXX-XXXX

Rotary Face	Stationary Face	Elastomer	Build Code
A - Carbon or D - Silicon Carbide (RB) or J - Sintered SiC	D - Silicon Carbide (RB) or E - Stainless Steel or J - Sintered SiC	X - Nitrile (BUNA) or Y - EPR (EPDM) or Z - Viton (FPM)	1



Size	d1		d3		d7		I1		I4	
	Metric	Inches	Metric	Inches	Metric	Inches	Metric	Inches	Metric	Inches
0150	15.0	0.591	26.0	1.024	27.0	1.063	20.9	0.823	9.3	0.366
0301	30.1	1.185	40.9	1.610	42.0	1.654	20.6	0.811	14.0	0.551
0349	34.9	1.374	47.6	1.874	47.6	1.874	20.6	0.811	15.8	0.622
0508	50.8	2.000	65.4	2.575	66.6	2.622	23.8	0.937	11.9	0.469
0762	76.2	3.000	98.6	3.882	95.2	3.748	39.7	1.563	11.9	0.469





# Pump Manufacturer: Johnson AB

Manufacturer Pump Type	AESSEAL® Seal Type
TopLobe (TL)	W01U-TL
TopWing (TW) 2	W017U

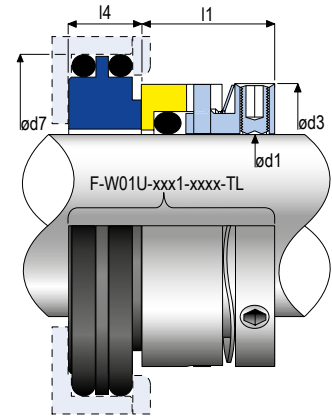
## W01U-TL



Seal suits pump type:

TopLobe (TL)

Stock code: F-W01U-xxxx-xxxx-TL



Rotary Face	Stationary Face	Elastomer	Build Code
E - Stainless Steel or G - Tungsten Carbide	A - Carbon	X - Nitrile (BUNA) or Y - EPDM (EPDM) or Z - Viton (FPM)	1

Size	d1		d3		d7		I1		I4	
	Metric	Inches	Metric	Inches	Metric	Inches	Metric	Inches	Metric	Inches
0300	30.0	1.181	41.0	1.614	48.0	1.890	19.1	0.752	10.3	0.406
0350	35.0	1.378	45.5	1.791	55.0	2.165	19.1	0.752	12.0	0.472
0500	50.0	1.969	61.9	2.437	72.0	2.835	21.1	0.831	12.0	0.472

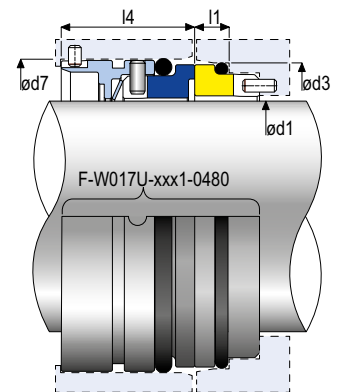
## W017U



Seal suits pump type:

TopWing (TW) 2

Stock code: F-W017U-xxxx-0480



Rotary Face	Stationary Face	Elastomer	Build Code
J - Sintered SiC	G - Tungsten Carbide	X - Nitrile (BUNA) or Y - EPDM (EPDM) or Z - Viton (FPM)	1

Size	d1		d3		d7		I1		I4	
	Metric	Inches	Metric	Inches	Metric	Inches	Metric	Inches	Metric	Inches
0300	30.0	1.181	43.4	1.709	44.2	1.740	6.2	0.244	29.0	1.142
0480	48.0	1.890	66.4	2.614	65.0	2.559	8.1	0.319	27.9	1.098

# Product Range By Pump Manufacturer: Johnson

Manufacturer Pump Type	AESSEAL® Seal Type
PD	W01U
Classic IC	W04U
OnLine (OL)	W06U
Sterilobe	W026

## W01U

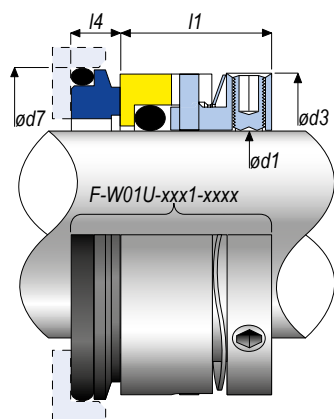


Seal suits pump type:

PD

Stock code: F-W01U-XXXX-XXXX

Rotary Face	Stationary Face	Elastomer	Build Code
E - Stainless Steel or G - Tungsten Carbide	A - Carbon or G - Tungsten Carbide	X - Nitrile (BUNA) or Y - EPR (EPDM) or Z - Viton (FPM)	I



Size	d1		d3		d7		I1		I4	
	Metric	Inches	Metric	Inches	Metric	Inches	Metric	Inches	Metric	Inches
0158	15.8	0.622	27.0	1.063	28.6	1.126	19.1	0.752	6.3	0.248
0160	16.0	0.630	27.0	1.063	28.6	1.126	19.1	0.752	6.3	0.248
0191	19.1	0.752	30.0	1.181	31.7	1.248	19.1	0.752	6.3	0.248
0240	24.0	0.945	34.1	1.343	35.4	1.394	19.1	0.752	7.6	0.299
0280	28.0	1.102	40.0	1.575	42.0	1.654	19.1	0.752	7.6	0.299
0286	28.6	1.126	39.5	1.555	41.2	1.622	19.1	0.752	7.6	0.299
0300	30.0	1.181	41.0	1.614	42.7	1.681	19.1	0.752	7.6	0.299
0317	31.7	1.248	42.4	1.669	44.2	1.740	19.1	0.752	7.6	0.299
0320	32.0	1.260	42.4	1.669	44.4	1.748	19.1	0.752	7.6	0.299
0349	34.9	1.374	45.5	1.791	47.6	1.874	19.1	0.752	7.6	0.299
0350	35.0	1.378	45.5	1.791	47.6	1.874	19.1	0.752	7.6	0.299
0380	38.0	1.496	51.8	2.039	53.9	2.122	21.1	0.831	8.1	0.319
0381	38.1	1.500	51.8	2.039	53.9	2.122	21.1	0.831	8.1	0.319
0444	44.4	1.748	58.2	2.291	60.3	2.374	21.1	0.831	8.1	0.319
0476	47.6	1.874	61.4	2.417	63.5	2.500	21.1	0.831	8.1	0.319
0500	50.0	1.969	61.9	2.437	63.9	2.516	21.1	0.831	8.1	0.319
0508	50.8	2.000	64.6	2.543	66.6	2.622	22.1	0.870	9.6	0.378
0539	53.9	2.122	71.0	2.795	73.0	2.874	22.1	0.870	9.6	0.378
0540	54.0	2.126	71.0	2.795	73.9	2.909	22.1	0.870	9.6	0.378
0546	54.6	2.150	72.0	2.835	75.0	2.953	22.1	0.870	9.6	0.378
0550	55.0	2.165	72.0	2.835	75.0	2.953	22.1	0.870	9.6	0.378
0630	63.0	2.480	79.3	3.122	83.0	3.268	25.8	1.016	9.1	0.358
0635	63.5	2.500	79.3	3.122	88.9	3.500	25.8	1.016	9.1	0.358
0698	69.8	2.748	88.9	3.500	95.2	3.748	25.8	1.016	9.1	0.358
0730	73.0	2.874	94.0	3.701	98.4	3.874	25.8	1.016	9.1	0.358
0750	75.0	2.953	96.0	3.780	100.4	3.953	25.8	1.016	9.1	0.358
0800	80.0	3.150	101.0	3.976	104.0	4.094	25.8	1.016	9.1	0.358



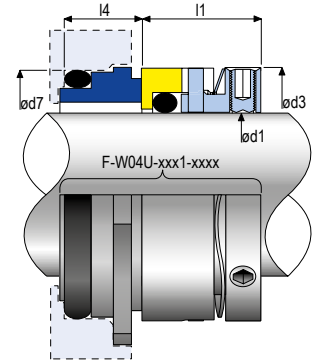
## W04U



Seal suits pump type:

Classic IC

Stock code: F-W04U-XXXX-XXXX



Rotary Face	Stationary Face	Elastomer	Build Code
E - Stainless Steel or G - Tungsten Carbide	A - Carbon or G - Tungsten Carbide	X - Nitrile (BUNA) or Y - EPR (EPDM) or Z - Viton (FPM)	1

Size	d1		d3		d7		l1		l4	
	Metric	Inches	Metric	Inches	Metric	Inches	Metric	Inches	Metric	Inches
0300	30.0	1.181	41.0	1.614	40.0	1.575	19.1	0.752	9.3	0.366
0350	35.0	1.378	45.5	1.791	44.5	1.752	19.1	0.752	9.2	0.362
0500	50.0	1.969	61.9	2.437	62.0	2.441	21.1	0.831	10.4	0.409
0700	70.0	2.756	88.9	3.500	85.0	3.346	25.8	1.016	14.1	0.555
0800	80.0	3.150	101.0	3.976	95.0	3.740	25.8	1.016	16.2	0.638

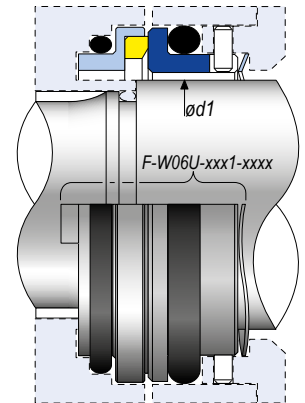
## W06U



Seal suits pump type:

OnLine (OL)

Stock code: F-W06U-XXXX-XXXX



Rotary Face	Stationary Face	Elastomer	Build Code
A - Carbon or J - Sintered SiC or G - Tungsten Carbide	E - Stainless Steel or G - Tungsten Carbide	X - Nitrile (BUNA) or Y - EPR (EPDM) or Z - Viton (FPM)	1

Size	d1	
	Metric	Inches
0240	24.0	0.945
0420	42.0	1.654*
0530	53.0	2.087
0750	75.0	2.953

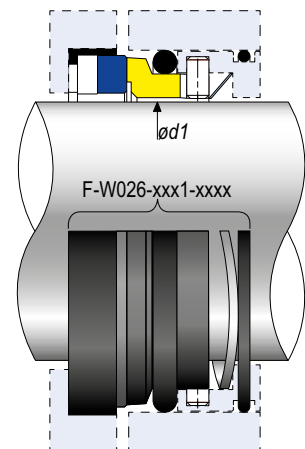
\* 42mm available as double seal

## W026

Seal suits pump type:

Sterilobe

Stock code: F-W026-XXXX-XXXX



Rotary Face	Stationary Face	Elastomer	Build Code
A - Carbon or J - Sintered SiC	J - Sintered SiC	I - AES Elast	1

Size	d1	
	Metric	Inches
0580	58.0	2.283
0680	68.0	2.677
0780	78.0	3.071

## Pump Manufacturer: Maso Sine

Manufacturer Pump Type	AESSEAL® Seal Type
EcoSine, SPS	MOSO

### MOSO

#### Seal suits pump type:

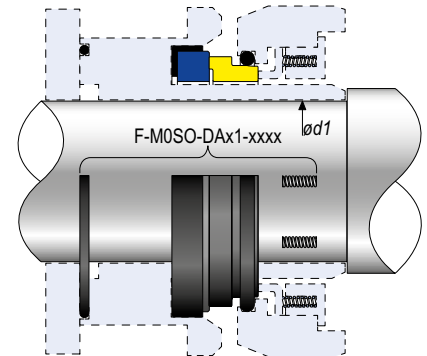
EcoSine, SPS

Stock code: F-MOSO-XXXX-XXXX

Rotary Face	Stationary Face	Elastomer	Build Code
D - Silicon Carbide (RB)	A - Carbon	X - Nitrile (BUNA) or Y - EPR (EPDM) or Z - Viton (FPM)	1

Size	d1	
	Metric	Inches
0600	60.0	2.362
0650	65.0	2.560



# Pump Manufacturer: MDM

Manufacturer Pump Type	AESSEAL® Seal Type
D2, D3, D4, D6	P02U
40H, 50H, 80H	B092U

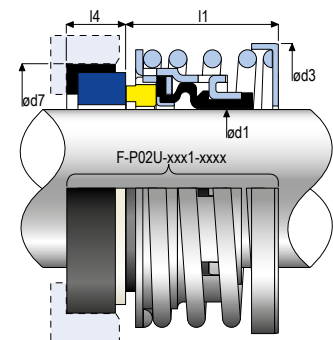
## P02U



Seal suits pump type:

D2, D3, D4, D6

Stock code: F-P02U-xxxx-xxxx



Rotary Face	Stationary Face	Elastomer	Build Code
A - Carbon or J - Sintered SiC	B - Alumina Ceramic or J - Sintered SiC	X - Nitrile (BUNA) or Y - EPDM (EPDM) or Z - Viton (FPM)	1

Size	d1		d3		I1		d7		I4	
	Metric	Inches	Metric	Inches	Metric	Inches	Metric	Inches	Metric	Inches
0250	25.0	0.984	45.3	1.783	40.5	1.594	25.4	1.000	10.3	0.405
0444	44.4	1.750	70.1	2.760	63.5	2.500	40.4	1.590	11.9	0.468

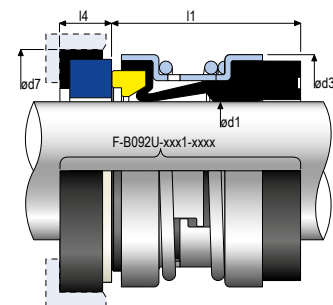
## B092U



Seal suits pump type:

40H, 50H, 80H

Stock code: F-B092U-xxxx-0330



Rotary Face	Stationary Face	Elastomer	Build Code
A - Carbon or J - Sintered SiC or G - Tungsten Carbide	B - Alumina Ceramic or J - Sintered SiC or G - Tungsten Carbide	X - Nitrile (BUNA) or Y - EPDM (EPDM) or Z - Viton (FPM)	1

Size	d1		d3		I1		d7		I4	
	Metric	Inches	Metric	Inches	Metric	Inches	Metric	Inches	Metric	Inches
0330	33.0	1.300	46.8	2.067	48.0	1.890	35.5	1.398	7.5	0.295

# Pump Manufacturer: Tuchenhagen Pumps

Manufacturer Pump Type	AESSEAL® Seal Type
Variflow KN	M010S4
Variflow TP / TPS	M010S4 (Type B)
VPSH, VPSU	W015U
AR, AG, ZR, ZG	P09U
VPB, VPC, VPD	P09SU

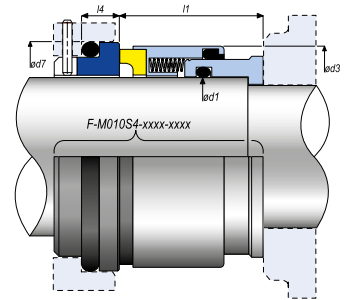
## M010S4



Seal suits pump type:

Variflow KN

Stock code: F-M010S4-XXXX-XXXX



Rotary Face	Stationary Face	Elastomer	Build Code
A - Carbon or J - Sintered SiC	J - Sintered SiC	Y - EPDM (EPDM) or Z - Viton (FPM)	1

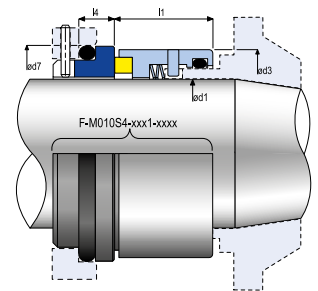
Size	d1		d3		d7		I1		I4	
	Metric	Inches	Metric	Inches	Metric	Inches	Metric	Inches	Metric	Inches
0300	30.0	1.181	44.0	1.732	45.0	1.772	32.0	1.260	7.5	0.295
0350	35.0	1.378	49.0	1.929	50.0	1.969	39.9	1.571	7.5	0.295

## M010S4 (Type B)

Seal suits pump type:

Variflow TP / TPS

Stock code: F-M010S4-XXXX-XXXX



Rotary Face	Stationary Face	Elastomer	Build Code
A - Carbon or J - Sintered SiC	J - Sintered SiC	Y - EPDM (EPDM) or Z - Viton (FPM)	1

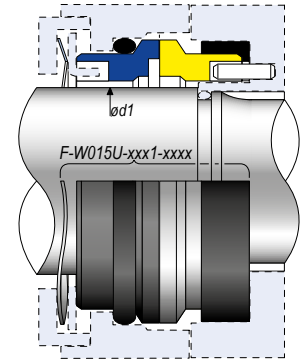
Size	d1		d3		d7		I1		I4	
	Metric	Inches	Metric	Inches	Metric	Inches	Metric	Inches	Metric	Inches
0250	25.0	0.984	38.8	1.528	40.0	1.575	24.5	0.965	7.0	0.276
0300-B	30.0	1.181	43.7	1.720	45.0	1.772	27.1	1.067	7.6	0.299

## W015U



Seal suits pump type:  
VPSH, VPSU

Stock code: F-W015U-XXXX-XXXX



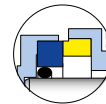
Rotary Face	Stationary Face	Elastomer	Build Code	d1		
				Size	Metric	Inches
E - Stainless Steel or J - Sintered SiC	A - Carbon or J - Sintered SiC	Y - EPDM (EPDM) or Z - Viton (FPM)	1	0254	25.4	1.000
				0349	34.9	1.374
				0476	47.6	1.875

## P09U

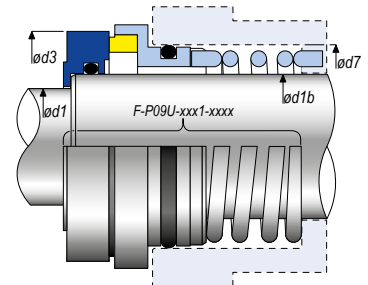


Seal suits pump type:  
AR, AG, ZR, ZG

Stock code: F-P09U-XXXX-XXXX



Inserted stationary face  
for Silicon face material



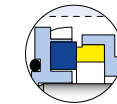
Rotary Face	Stationary Face	Elastomer	Build Code	d1		d3		d7		d1b		
				Size	Metric	Inches	Metric	Inches	Metric	Inches	Metric	Inches
E - Stainless Steel or J - Sintered SiC	A - Carbon	X - Nitrile (BUNA) or Y - EPDM (EPDM) or Z - Viton (FPM)	1	0120	12.0	0.472	35.0	1.378	30.0	1.181	16.0	0.630
				0180	18.0	0.708	59.0	2.323	50.0	1.968	25.0	0.984
				0210	21.0	0.827	59.0	2.323	50.0	1.968	25.0	0.984
				0280	28.0	1.102	59.0	2.323	50.0	1.968	36.0	1.417
				0400	40.0	1.575	73.0	2.874	64.0	2.520	50.0	1.968

## P09SU

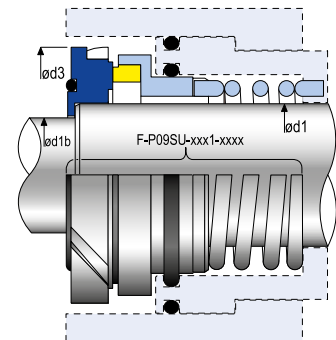


Seal suits pump type:  
VPB, VPC, VPD

Stock code: F-P09SU-XXXX-XXXX



Inserted stationary face  
for Silicon face material



Rotary Face	Stationary Face	Elastomer	Build Code	d1		d3		d1b		
				Size	Metric	Inches	Metric	Inches	Metric	Inches
E - Stainless Steel or J - Sintered SiC	A - Carbon	X - Nitrile (BUNA) or Y - EPDM (EPDM) or Z - Viton (FPM)	1	0220	22.0	0.866	52.0	2.047	18.0	0.709
				0300	30.0	1.181	66.0	2.598	22.0	0.866
				0350	35.0	1.378	66.0	2.598	30.0	1.181

## Pump Manufacturer: Waukesha / Wright Pump Type

Manufacturer Pump Type	AESSEAL® Seal Type	AESSEAL® Seal Upgrade
SP4	W013X	
TRA 500 Series	T01FxU	M0FCx, M0GCE
Universal I, WRU (TRA10)	W013U	M09
Universal II (TRA20)	W013SU	M09S

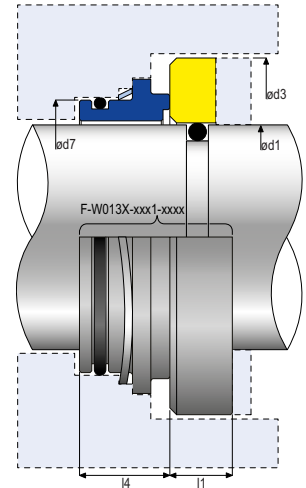
W013X



Seal suits pump type:

SP4

Stock code: F-W013X -xxxx-0330



Rotary Face	Stationary Face	Elastomer	Build Code	d1		d3		d7		l1		l4		
				Size	Metric	Inches	Metric	Inches	Metric	Inches	Metric	Inches	Metric	Inches
G - Tungsten Carbide	G - Tungsten Carbide	X - Nitrile (BUNA) or Y - EPR (EPDM) or Z - Viton (FPM)	1	0330	33.0	1.300	52.5	2.067	40.1	1.578	6.8	0.268	13.3	0.523



# T01FU Range

22mm Single Seals

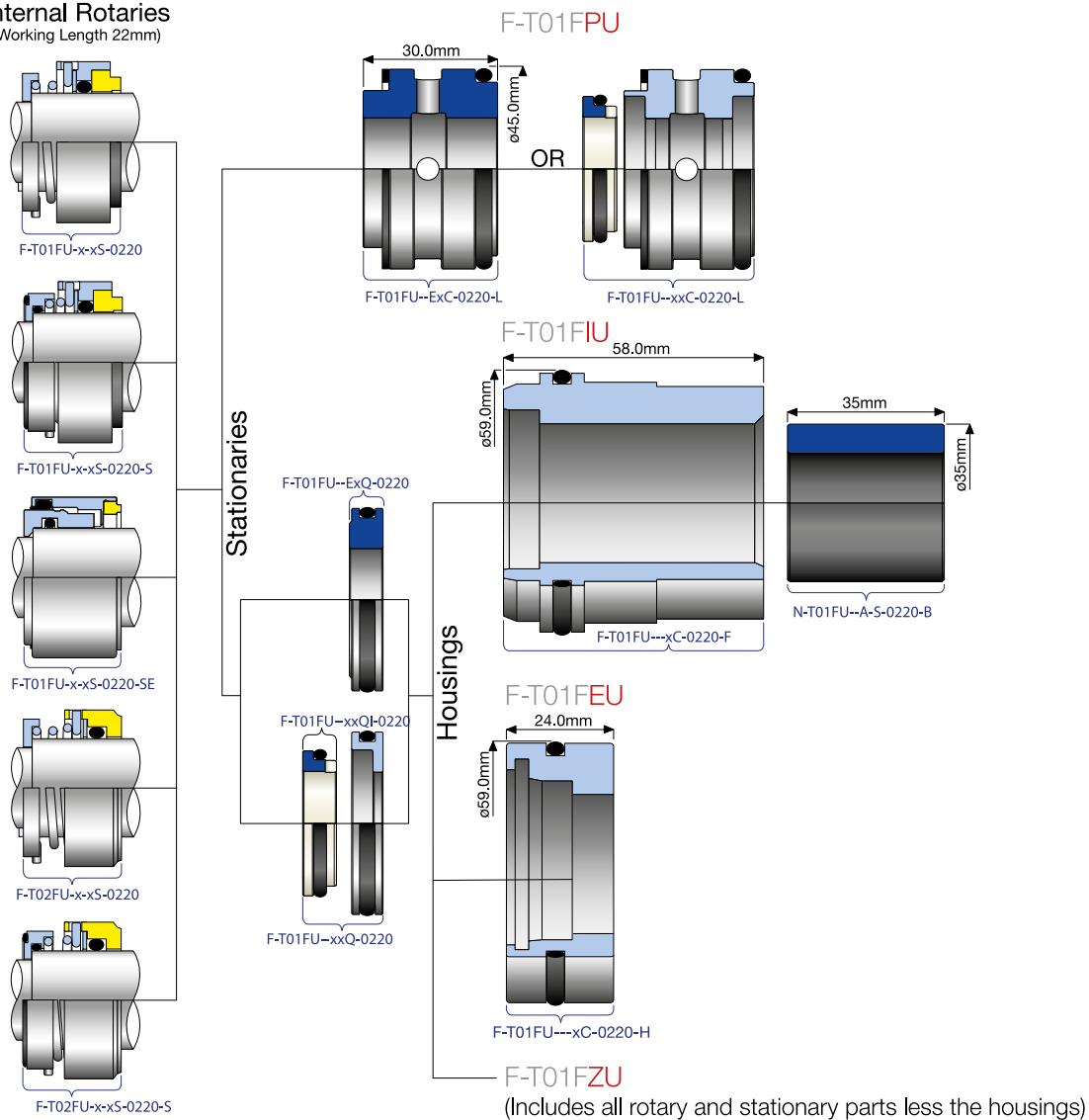
Seal suits pump type:  
TRA 500 Series

Stock code: F-T01FxU-xxxx-0220

Rotary Face	Stationary Face	Elastomer	Build Code	Internal Rotary Type
A - Carbon or G - Tungsten Carbide or J - Sintered SIC or *B - Ceramic or *E - Stainless Steel	A - Carbon or E - Stainless Steel or B - Ceramic or G - Tungsten Carbide or J - Sintered SIC	X - Nitrile (BUNA) or Y - EPDM (EPDM) or Z - Viton (FPM)	1 M D A E	F-T01FU-x-xS-0220 F-T01FU-x-xS-0220-S F-T01FU-x-xS-0220-SE F-T02FU-x-xS-0220 F-T02FU-x-xS-0220-S

\*Available in T02FU Rotary Only

## Internal Rotaries (Working Length 22mm)

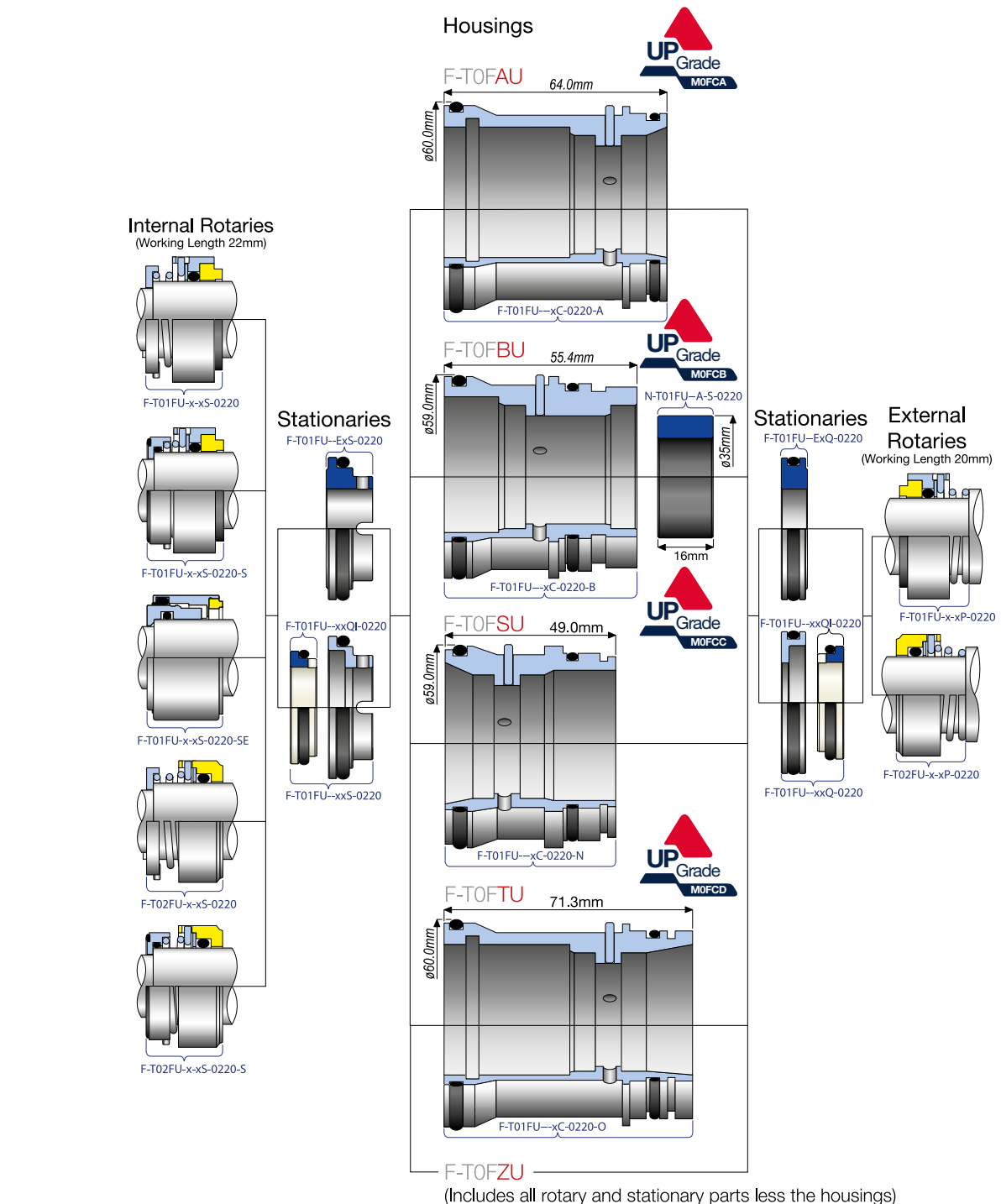


22mm Double Seals

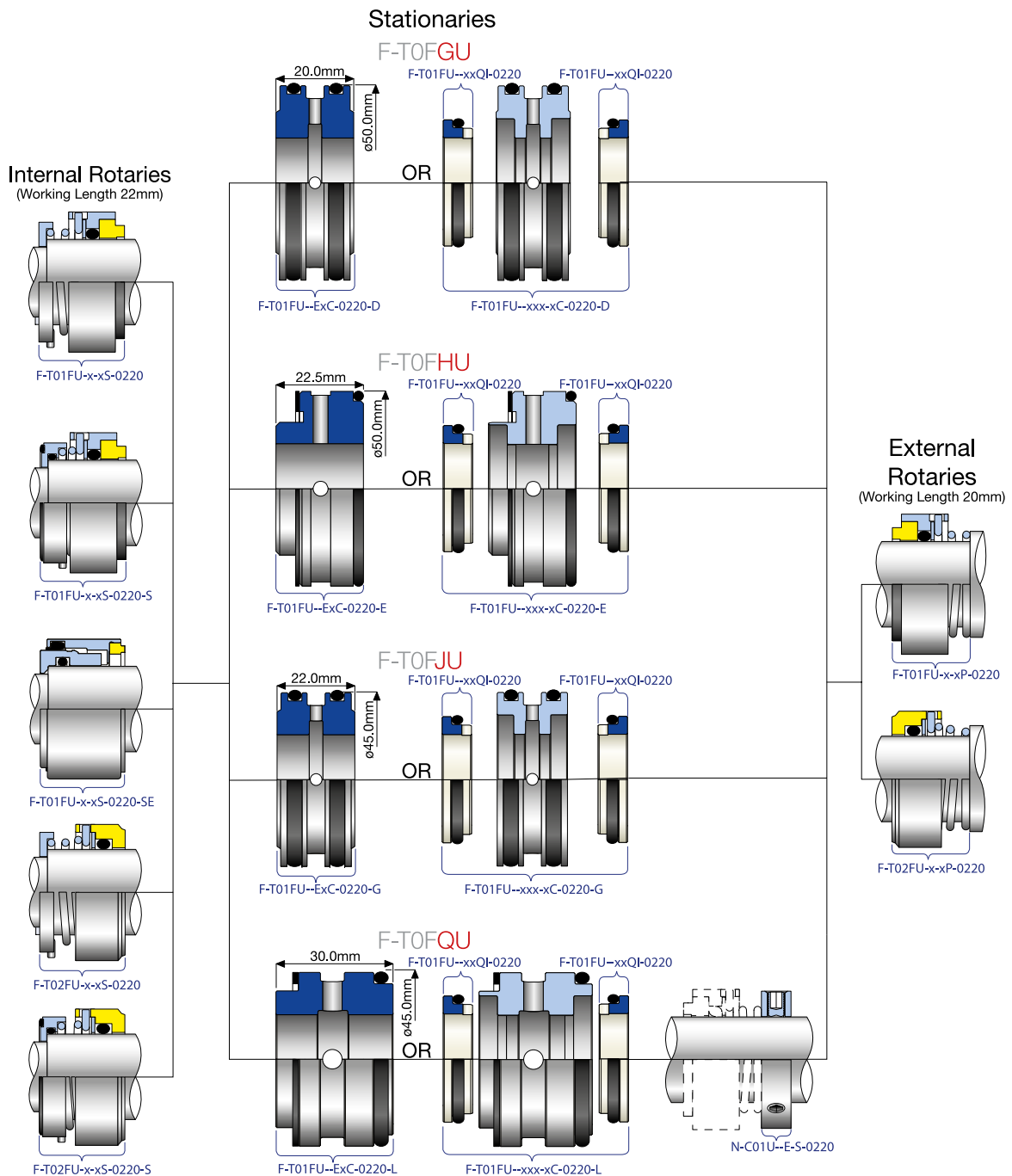
Stock code: F-TOFxU-xxxxxxx-0220

Rotary Face	Stationary Face	Elastomer	Stationary Face	Rotary Face	Elastomer
A - Carbon or G - Tungsten Carbide or J - Sintered SiC or *B - Ceramic or *E - Stainless Steel	A - Carbon or E - Stainless Steel or B - Ceramic or G - Tungsten Carbide or J - Sintered SiC	X - Nitrile (BUNA) or Y - EPR (EPDM) or Z - Viton (FPM)	A - Carbon or E - Stainless Steel or B - Ceramic or G - Tungsten Carbide or J - Sintered SiC	A - Carbon or G - Tungsten Carbide or J - Sintered SiC or *B - Ceramic or *E - Stainless Steel	X - Nitrile (BUNA) or Y - EPR (EPDM) or Z - Viton (FPM)

\*Available in T02FU Rotary Only



Build Code	Internal Rotary Type	External Rotary Type
1	F-T01FU-x-xS-0220	F-T01FU-x-xP-0220
A	F-T02FU-x-xS-0220	F-T01FU-x-xP-0220
D	F-T01FU-x-xS-0220-SE	F-T01FU-x-xP-0220
E	F-T02FU-x-xS-0220-S	F-T01FU-x-xP-0220
F	F-T02FU-x-xS-0220-S	F-T02FU-x-xP-0220
G	F-T01FU-x-xS-0220-SE	F-T02FU-x-xP-0220
M	F-T01FU-x-xS-0220-S	F-T01FU-x-xP-0220
N	F-T01FU-x-xS-0220-S	F-T02FU-x-xP-0220
O	F-T02FU-x-xS-0220	F-T02FU-x-xP-0220
T	F-T01FU-x-xS-0220	F-T02FU-x-xP-0220

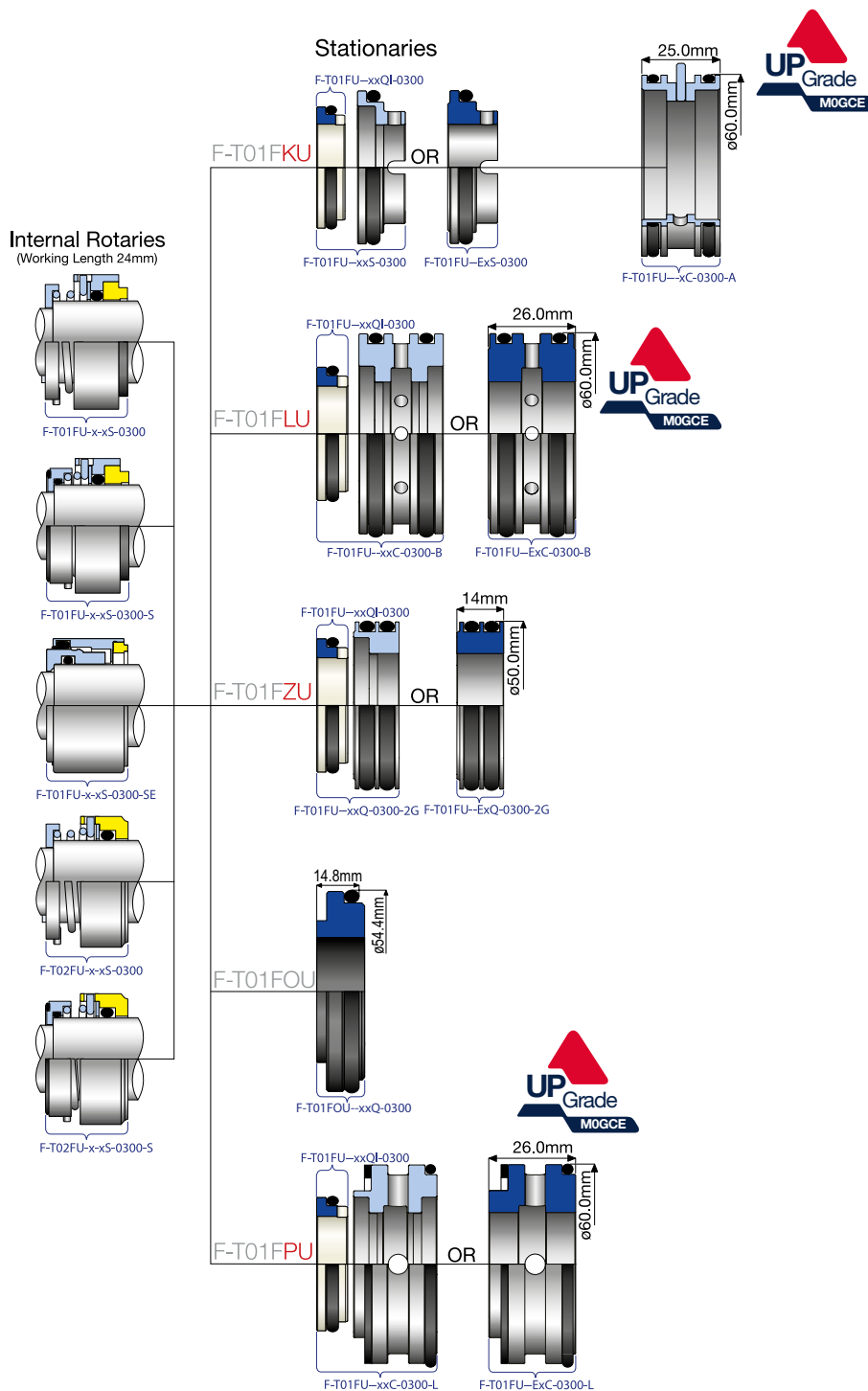


# 30mm Single Seals

Stock code: F-T01F<sub>x</sub>U-xxxx-0300

Rotary Face	Stationary Face	Elastomer	Build Code	Internal Rotary Type
A - Carbon or G - Tungsten Carbide or J - Sintered SiC or *B - Ceramic or *E - Stainless Steel	A - Carbon or E - Stainless Steel or B - Ceramic or G - Tungsten Carbide or J - Sintered SiC	X - Nitrile (BUNA) or Y - EPR (EPDM) or Z - Viton (FPM)	1 M D A E	F-T01FU-x-xS-0300 F-T01FU-x-xS-0300-S F-T01FU-x-xS-0300-SE F-T02FU-x-xS-0300 F-T02FU-x-xS-0300-S

\*Available in T02FU Rotary Only



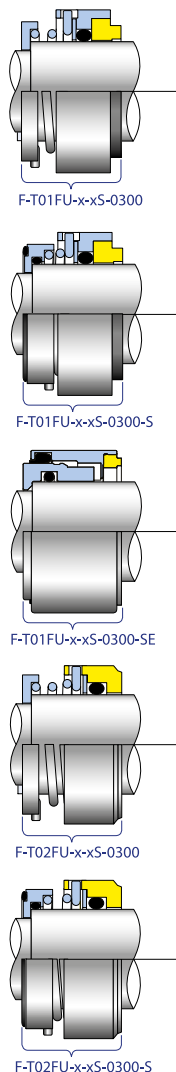
(Build Code)

Rotary Face	Stationary Face	Elastomer	Stationary Face	Rotary Face	Elastomer
A - Carbon or G - Tungsten Carbide or J - Sintered SiC or *B - Ceramic or *E - Stainless Steel	A - Carbon or E - Stainless Steel or B - Ceramic or G - Tungsten Carbide or J - Sintered SiC	X - Nitrile (BUNA) or Y - EPDM (EPDM) or Z - Viton (FPM)	A - Carbon or E - Stainless Steel or B - Ceramic or G - Tungsten Carbide or J - Sintered SiC?	A - Carbon or G - Tungsten Carbide or J - Sintered SiC or *B - Ceramic or *E - Stainless Steel	X - Nitrile (BUNA) or Y - EPDM (EPDM) or Z - Viton (FPM)

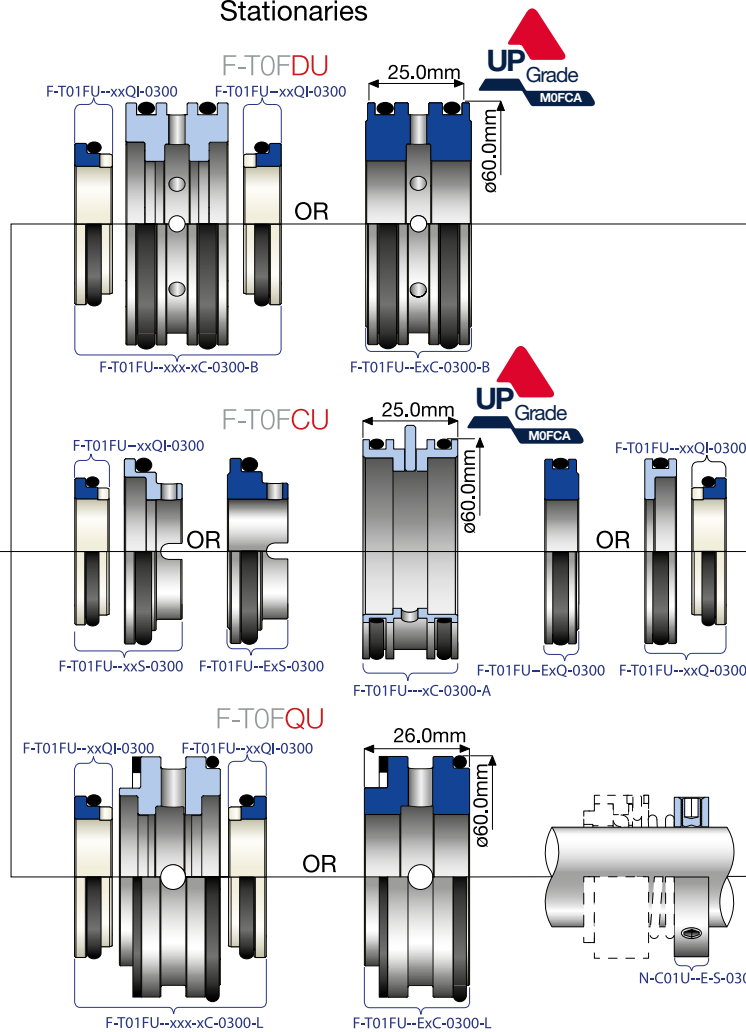
\*Available in T02FU Rotary Only

Build Code	Internal Rotary Type	External Rotary Type
1	F-T01FU-x-xS-0300	F-T01FU-x-xP-0300
A	F-T02FU-x-xS-0300	F-T01FU-x-xP-0300
D	F-T01FU-x-xS-0300-SE	F-T01FU-x-xP-0300
E	F-T02FU-x-xS-0300-S	F-T01FU-x-xP-0300
F	F-T02FU-x-xS-0300-S	F-T02FU-x-xP-0300
G	F-T01FU-x-xS-0300-SE	F-T02FU-x-xP-0300
M	F-T01FU-x-xS-0300-S	F-T01FU-x-xP-0300
N	F-T01FU-x-xS-0300-S	F-T02FU-x-xP-0300
O	F-T02FU-x-xS-0300	F-T02FU-x-xP-0300
T	F-T01FU-x-xS-0300	F-T02FU-x-xP-0300

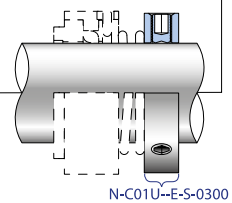
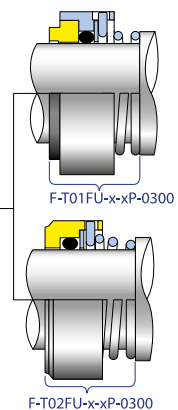
Internal Rotaries  
(Working Length 24mm)



Stationaries



Internal Rotaries  
(Working Length 22mm)



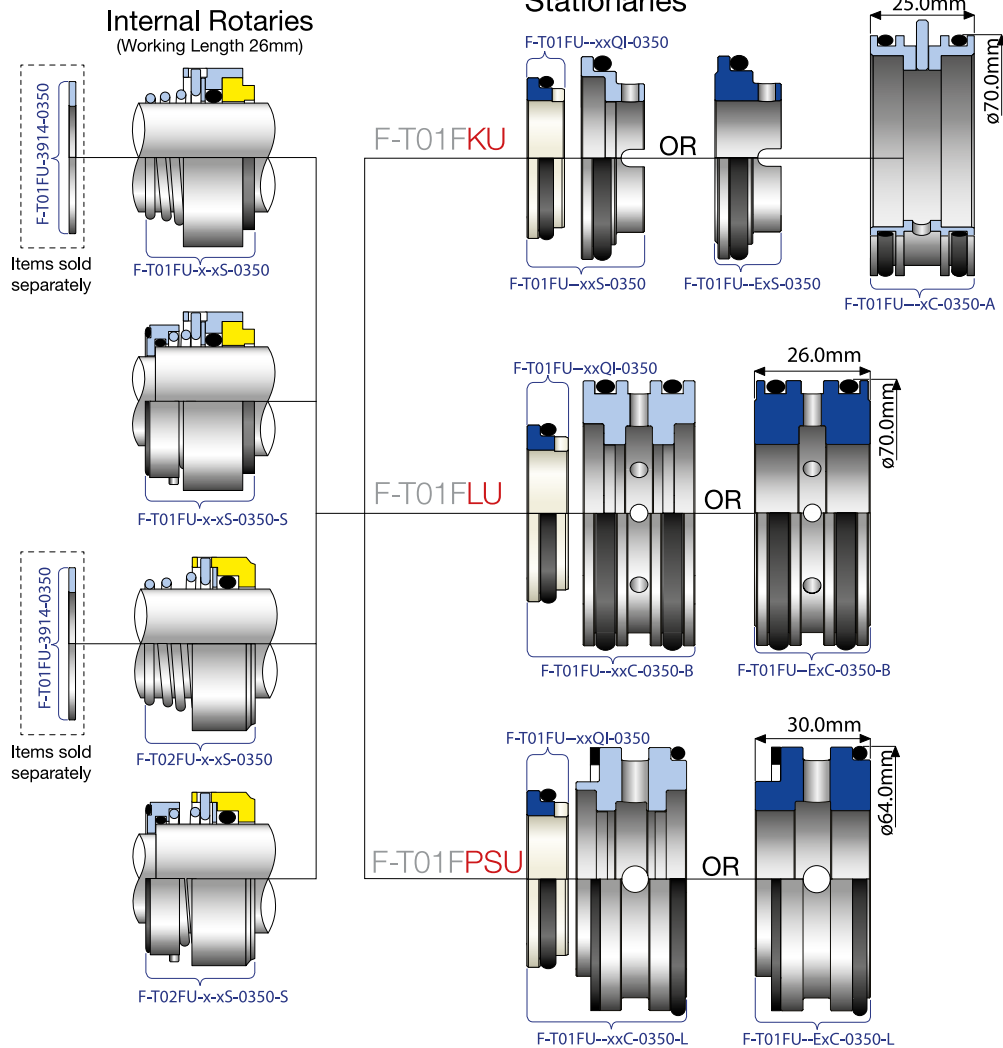
# 35mm Single Seals

Stock code: F-T01F<sup>xU</sup>-xxxx-0350

Rotary Face	Stationary Face	Elastomer
A - Carbon or G - Tungsten Carbide or J - Sintered SiC or *B - Ceramic or *E - Stainless Steel	A - Carbon or E - Stainless Steel or B - Ceramic or G - Tungsten Carbide or J - Sintered SiC	X - Nitrile (BUNA) or Y - EPDM (EPDM) or Z - Viton (FPM)

Build Code	Internal Rotary Type
1	F-T01FU-x-xS-0350
M	F-T01FU-x-xS-0350-S
A	F-T02FU-x-xS-0350
E	F-T02FU-x-xS-0350-S

**\*Available in T02FU Rotary Only**



35mm Double Seals

Stock code: F-T0FxU-xxxxxx-0350

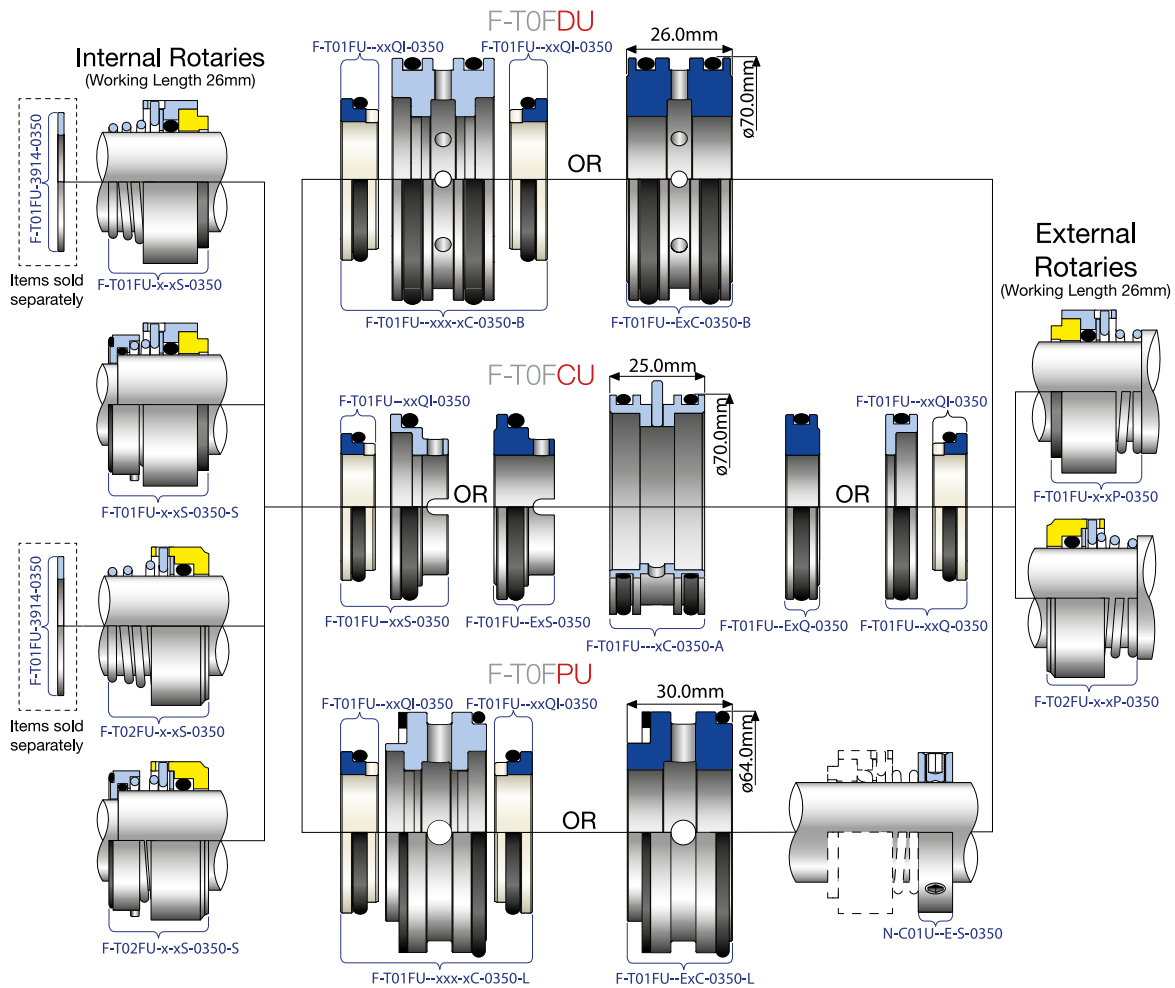
(Build Code)

Rotary Face	Stationary Face	Elastomer	Stationary Face	Rotary Face	Elastomer
A - Carbon or G - Tungsten Carbide or J - Sintered SiC or *B - Ceramic or *E - Stainless Steel	A - Carbon or E - Stainless Steel or B - Ceramic or G - Tungsten Carbide or J - Sintered SiC	X - Nitrile (BUNA) or Y - EPR (EPDM) or Z - Viton (FPM)	A - Carbon or E - Stainless Steel or B - Ceramic or G - Tungsten Carbide or J - Sintered SiC?	A - Carbon or G - Tungsten Carbide or J - Sintered SiC or *B - Ceramic or *E - Stainless Steel	X - Nitrile (BUNA) or Y - EPR (EPDM) or Z - Viton (FPM)

\*Available in T02FU Rotary Only

Build Code	Internal Rotary Type	External Rotary Type
1	F-T01FU-x-xS-0350	F-T01FU-x-xP-0350
A	F-T02FU-x-xS-0350	F-T01FU-x-xP-0350
E	F-T02FU-x-xS-0350-S	F-T01FU-x-xP-0350
F	F-T02FU-x-xS-0350-S	F-T02FU-x-xP-0350
M	F-T01FU-x-xS-0350-S	F-T01FU-x-xP-0350
N	F-T01FU-x-xS-0350-S	F-T02FU-x-xP-0350
O	F-T02FU-x-xS-0350	F-T02FU-x-xP-0350
T	F-T01FU-x-xS-0350	F-T02FU-x-xP-0350

Stationaries



## M0FCx Range

Why upgrade?

- Reduced downtime by improved performance utilizing hydraulically balanced seal design every time
- Plug in Design reduces fitting time and ensures correct installation
- Sterile sealing rings reduce all product side bug traps

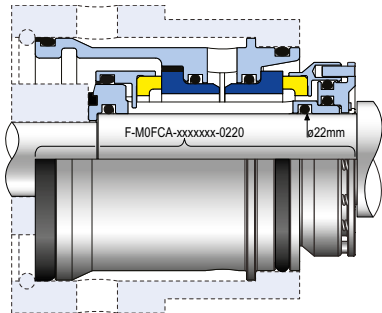
### Seal suits pump type:

TRA 500 Series

Stock code: F-M0FCx-XXXXXXXX-XXXX  
(Size)

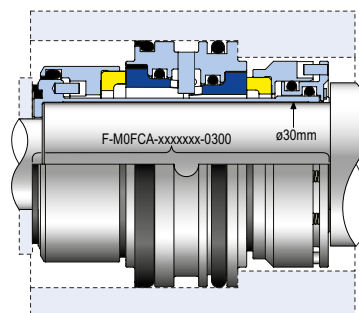
Rotary Face	Stationary Face	Elastomer	Stationary Face	Rotary Face	Elastomer	Build Code
A - Carbon or D - Silicon Carbide (RB)	G -Tungsten Carbide or J - Sintered SiC	I - AES Elast	G -Tungsten Carbide or J - Sintered SiC	A - Carbon	Y - EPR (EPDM)	S

### F-M0FCA



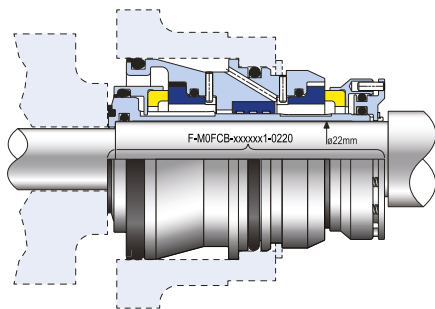
0220  
(Size)

### F-M0FCA



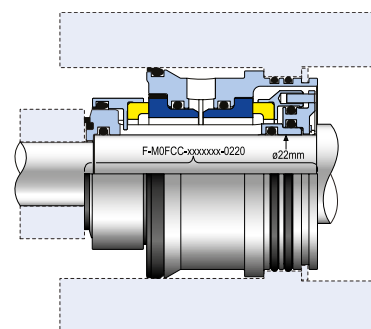
0300  
(Size)

### F-M0FCB



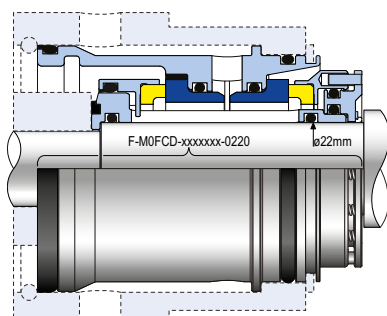
0220  
(Size)

### F-M0FCC



0220  
(Size)

### F-M0FCD



0220  
(Size)





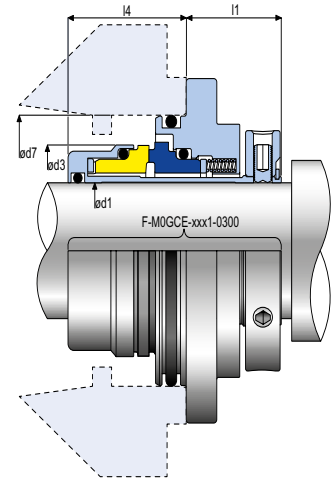
## MOGCE



### Seal suits pump type:

TRA 500 Series

Stock code: F-MOGCE-xxxx-0300



Rotary Face	Stationary Face	Elastomer	Build Code
A - Carbon	D - Silicon Carbide (RB)	I - AES Elast	1

Size	d1		d3		d7		l1		l4	
	Metric	Inches	Metric	Inches	Metric	Inches	Metric	Inches	Metric	Inches
0300	30.00	1.181	46.81	1.843	60.00	2.362	24.85	0.978	30.88	1.216

## M09



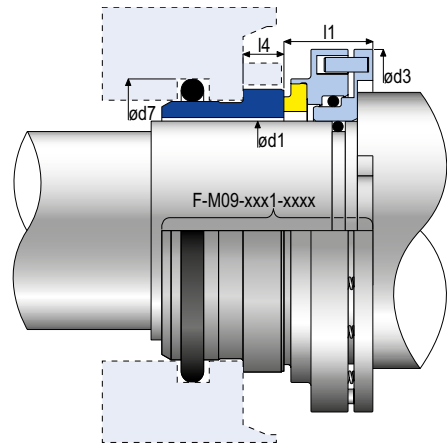
Why upgrade?

- Multi sprung face for more consistent face pressure
- Hydraulically balanced faces improve seal life

### Seal suits pump type:

Universal I, WRU (TRA10)

Stock code: F-M09-xxxx-xxxx



Rotary Face	Stationary Face	Elastomer	Build Code
G -Tungsten Carbide	G -Tungsten Carbide	Y - EPR (EPDM) or Z - Viton (FPM)	1

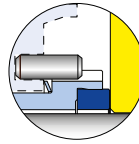
Size	d1		d3		d7		l1		l4	
	Metric	Inches	Metric	Inches	Metric	Inches	Metric	Inches	Metric	Inches
0381	38.1	1.500	80.6	3.175	53.6	2.110	11.6	0.457	3.0	0.118
0476	47.6	1.875	79.0	3.110	66.1	2.602	19.4	0.763	8.9	0.350

## W13U (Single Seals)

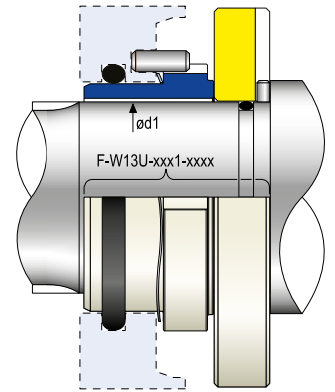


**Seal suits pump type:**  
Universal I, WRU (TRA10)

Stock code: F-W13U-XXXX-XXXX



Inserted internal stationary face for Carbon and Tungsten Carbide



Monolithic Internal stationary in Sintered SiC and Ceramic

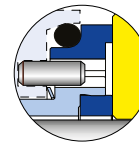
Rotary Face	Stationary Face	Elastomer	Build Code	d1		
				Size	Metric	Inches
B - Alumina Ceramic or G - Tungsten Carbide or J - Sintered SiC	A - Carbon or B - Alumina Ceramic or G - Tungsten Carbide or J - Sintered SiC	X - Nitrile (BUNA) or Y - EPR (EPDM) or Z - Viton (FPM)	1	0301	30.1	1.185
				0381	38.1	1.500
				0476	47.6	1.875
				0698	69.8	2.750

## W13U (Double Seals)

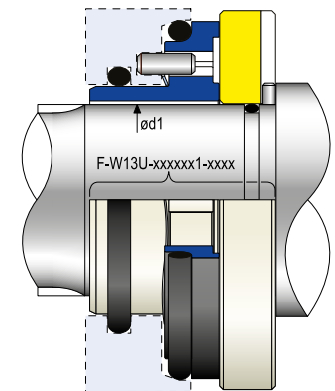


**Seal suits pump type:**  
Universal I, WRU (TRA10)

Stock code: F-W13U-XXXXXXX-XXXX  
(Size)



Inserted internal stationary face for Carbon and Tungsten Carbide



Monolithic Internal stationary in Sintered SiC and Ceramic

Rotary Face	Stationary Face	Elastomer	Rotary Face	Stationary Face	Elastomer	Build Code
B - Alumina Ceramic or G - Tungsten Carbide or J - Sintered SiC	A - Carbon or B - Alumina Ceramic or G - Tungsten Carbide or J - Sintered SiC	X - Nitrile (BUNA) or Y - EPR (EPDM) or Z - Viton (FPM)	B - Alumina Ceramic or G - Tungsten Carbide or J - Sintered SiC	A - Carbon	X - Nitrile (BUNA) or Y - EPR (EPDM) or Z - Viton (FPM)	1

Size	d1	
	Metric	Inches
0301	30.1	1.185
0381	38.1	1.500
0476	47.6	1.875
0698	69.8	2.750

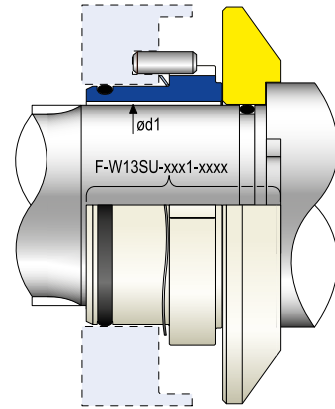


## W13SU (Single Seals)



**Seal suits pump type:**  
Universal II (TRA 20)

Stock code: F-W13SU-XXXX-XXXX



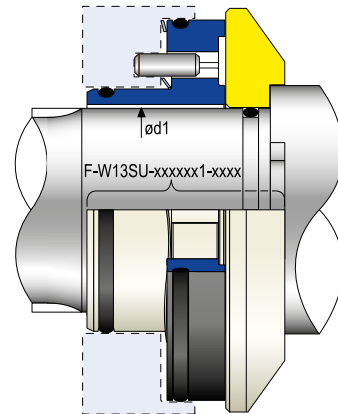
Rotary Face	Stationary Face	Elastomer	Build Code	d1		
				Size	Metric	Inches
B - Alumina Ceramic or J - Sintered SiC or G - Tungsten Carbide	A - Carbon or B - Alumina Ceramic or G - Tungsten Carbide or J - Sintered SiC	X - Nitrile (BUNA) or Y - EPR (EPDM) or Z - Viton (FPM)	1	0317	31.7	1.250
				50.8	41.2	1.625
				0508	50.8	2.000
				0698	69.8	2.750
				0762	76.2	3.000

## W13SU (Double Seals)



**Seal suits pump type:**  
Universal II (TRA 20)

Stock code: F-W13SU-XXXXXX-XXXX  
(Size)



Rotary Face	Stationary Face	Elastomer	Rotary Face	Stationary Face	Elastomer	Build Code
B - Alumina Ceramic or G - Tungsten Carbide or J - Sintered SiC	A - Carbon or B - Alumina Ceramic or G - Tungsten Carbide or J - Sintered SiC	X - Nitrile (BUNA) or Y - EPR (EPDM) or Z - Viton (FPM)	B - Alumina Ceramic or G - Tungsten Carbide or J - Sintered SiC	A - Carbon	X - Nitrile (BUNA) or Y - EPR (EPDM) or Z - Viton (FPM)	1

Size	d1	
	Metric	Inches
0317	31.7	1.250
50.8	41.2	1.625
0508	50.8	2.000
0698	69.8	2.750
0762	76.2	3.000

# M09S



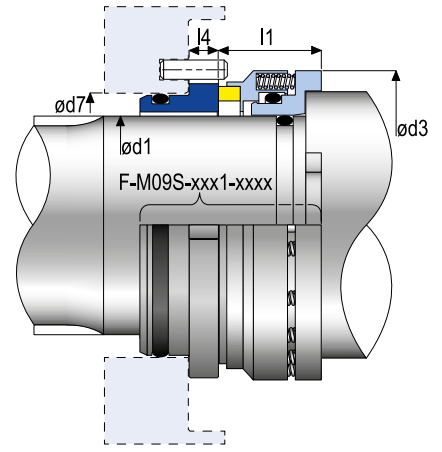
Why upgrade?

- Multi sprung face for more consistent face pressure
- Hydraulically balanced faces improve seal life

### Seal suits pump type:

Universal II (TRA20)

Stock code: F-M09S-xxxx-0698



Rotary Face	Stationary Face	Elastomer	Build Code
G - Tungsten Carbide	G - Tungsten Carbide	Y - EPR (EPDM) or Z - Viton (FPM)	1

Size	d1		d3		d7		l1		l4	
	Metric	Inches	Metric	Inches	Metric	Inches	Metric	Inches	Metric	Inches
0698	69.8	2.750	93.4	3.675	83.3	3.280	24.0	0.945	5.1	0.201



# Index

AESSEAL® Product Type	Page Number
ALXU	8
B09DU	9
B092U	45, 53
BP06U	21
HT0CU	20
M07U	45
M09	16, 65
M09S	16, 68
M010X	9
M010S1	40
M010S2	41
M010S3	41
M010S4	54
M010S4 (Type B)	54
M010S5	21
M0FC	26
M0FCx	34, 64
M0GCE	36, 65
M0HCH	10, 20
M0SO	52
MP07U	10
MW0FA	37
MW0FC	35
P02U	53
P06U	21
P07U (Single Seal)	11
P07U (Double Seal)	12
P09SU	55
P09U	55
P0X	39
S0ZU	12
S0ZX	13
T01FSLV	38
T01FU	27-33, 57-63
T01LOU / T02LOU	41
T01LFU / T02LOU	42
T01LKU	42
T01LXSU / T02LXSU	43 / 44
T01LXU / T02LXSU	43

AESSEAL® Product Type	Page Number
T03HU	44
T03U	46
T0RVU	22
T0WDU	22
T0WDWU	23
T0WPC	24
T0WPU	23
T0WS	24
T0WU	22
W01U	13, 46, 48, 50
W01U-TL	49
W01FU	38
W03DU	18
W03SU	18
W03U	17
W04U	44, 51
W06U	40, 51
W07DMBFU	37
W08U	25
W09U	19, 48
W09U-CL	25
W010U	24
W011U	47
W13U	14, 66
W13SU	15, 67
W013X	56
W015U	47, 55
W016U	17
W017U	49
W025	36
W026	51
W0F	37
W0FBU	38
W0FD	35



## **AESSEAL® upgrade saves dairy £10,000 a year**

One of the largest dairies in Ireland, with 60 Fristam pumps on site, is upgrading from industry standard component type T01FU seals to AESSEAL® M0FCA unitized plug-in seals after a successful 4 ½ year trial on one pump.

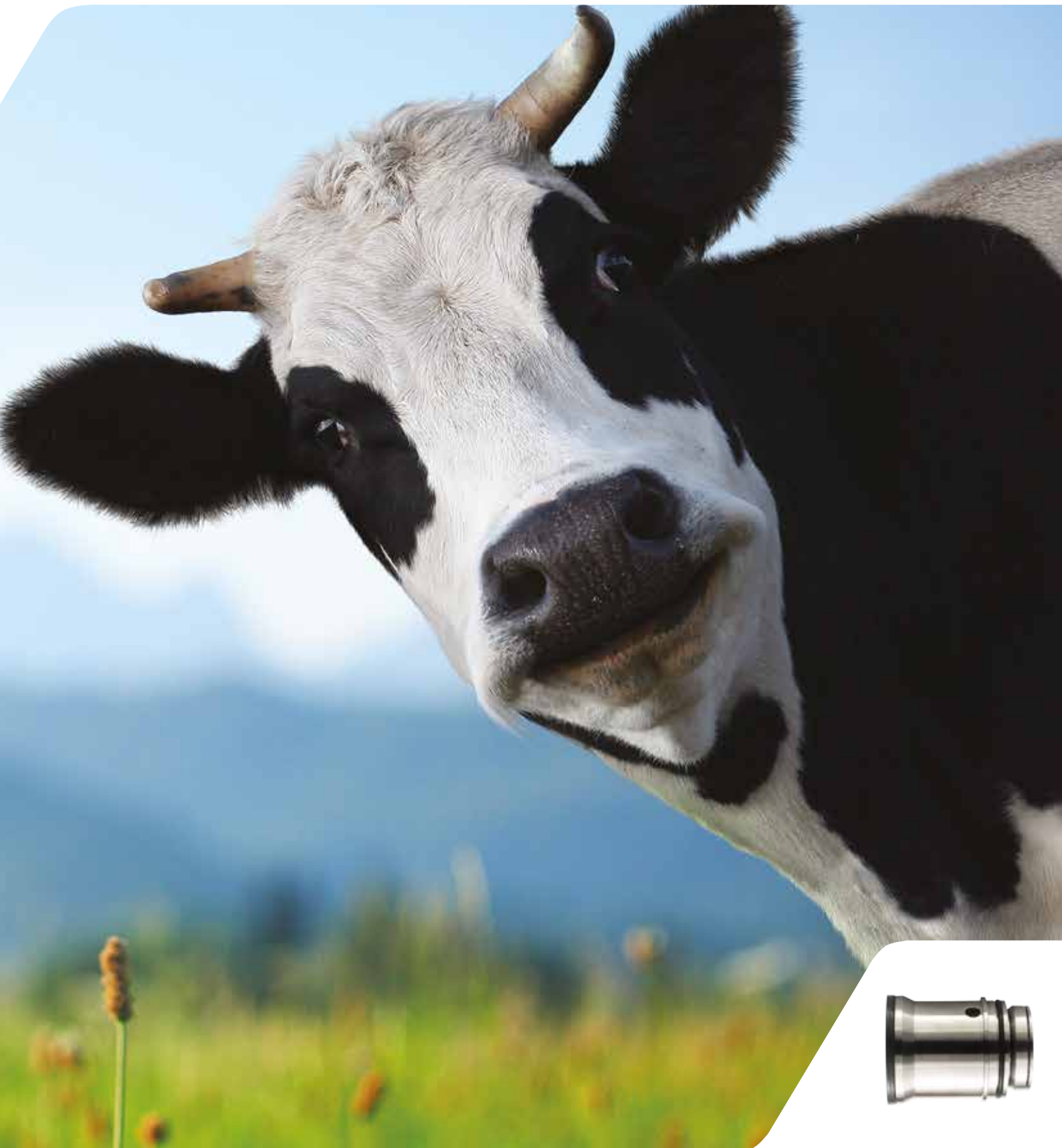
Before the trial the customer was having to replace the seals every 6 months. Once the M0FCA was installed this MTBF was considerably increased. Even when the pump had to be removed for maintenance, as other pump parts had worn out, the M0FCA could be re-installed and continued to run leak free for a total of 4 ½ years. This increased MTBF from 6 months to 4 ½ year meant that the added £200 initial investment actually saved the Dairy around £10,000 a year.





See how much AESSEAL® could save you.

Use this catalogue to find a seal to suit the pumps on your site. Build the stock code from the material and size tables and contact your local AESSEAL® representative for a quote, or for further information.





EXPERIENCE THE EXCEPTIONAL

To experience the exceptional, please contact your local representative. Discover full details on our website:

[www.componentseals.com](http://www.componentseals.com)

For further information and safe operating limits contact our technical specialists at the locations below.



Use double mechanical seals with hazardous products.

Always take safety precautions:

- Guard your equipment
- Wear protective clothing



**WARNING**

**UK Sales & Technical advice:**

AESSEAL plc  
Wetherby Road  
Osmaston Park Industrial Estate  
Derby, DE24 8HL  
United Kingdom

Tel: +44 (0) 1332 366738  
Fax: +44 (0) 1332 298195  
E-mail: [cse@aesseal.com](mailto:cse@aesseal.com)

Distributed by:

'Our purpose is to give our customers such exceptional service that they need never consider alternative sources of supply.'



**USA Sales & Technical advice:**

AESSEAL Inc.  
355 Dunavant Drive  
Rockford,  
TN. 37853  
USA

Tel: +1 865 531 0192  
Fax: +1 865 531 0571  
E-mail: [usa@aesseal.com](mailto:usa@aesseal.com)

**Important:** Since the conditions and methods of use of this product are beyond our control, AESSEAL plc expressly disclaims any and all liability resulting or arising from any use of this product or reliance on any information contained in this document - AESSEAL plc standard conditions of sale apply. All sizes are subject to manufacturing tolerances. We reserve the right to modify specifications at any time. AESSEAL® is a Registered Trademark of AESSEAL plc, AESSEAL plc recognizes all trademarks and trademark names as the property of their owners.