

BALL VALVES

Thor Split Body

Carbon steel PN 16-40 ANSI 150-300

features

features & benefits

diagrams and break away torque

dimensions and materials

shaft extension

drives



Features

STANDARD FEATURES

- No protruding floating ball, full bore
- Soft-seat seal TFM 1600
- Standard for connecting flanges: EN 1092-1 ed. 2008; ANSI B16.5
- Operating temperature see temperature pressure diagram
- Pressure class: PN16-40; ANSI 150-300
- Intercepted fluid: air, water, gas, petroleum and petrochemical products.
- Antistatic device EN12662-2
- Stem seal: TFM 1600 V-pack
- Additional seal on stem with FKM O-ring
- Anti Blow-out stem
- Actuator connection as per standard ISO 5211
- Closing angle >7°
- Superficial treatment: blueing

SPECIAL FEATURES ON REQUEST

- LF2 carbon steel for low temperature execution (-40 C°)
- For other flange types please contact our sales department.
- Sealing in: PTFE reinforced with glass (RPTFE-GF), PTFE reinforced with carbon-graphite (RPTFE-CF) . For other types of materials please contact our sales department
- Cavity filler seatin PTFE
- Mono-directional version with pressure-relief hole in the ball
- Stainless steel lever
- For special versions in materials different from the standard (body, ball, stem), please contact our sales department.
- Stainless steel Stem nuts and springs
- Superficial treatment: white zinc coating ,epoxy coating
- For other coating please contact our sales department

CERTIFICATIONS

In compliance with European Directive 97/23 EC PED

In compliance with ATEX 94/9/CE Directive (on request)

Fugitive Emission UNI EN ISO 15848.2006

TA-LUFT VDI 2440.2000

FIRE SAFE: API 607:2005/ISO 10497:2010 - API6FA:1999

ENGINEERING STANDARDS

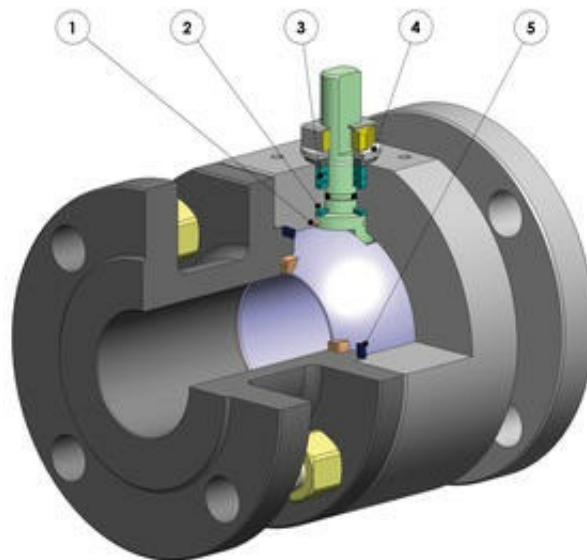
Body thickness in compliance with: ASME B16.34, ASME VIII div.1, EN 12516.

Materials and rating in compliance with ASME B16.34 for ANSI valves and EN 12516 for PN valves



Be environmentally friendly...please don't print this document unless you really need to.

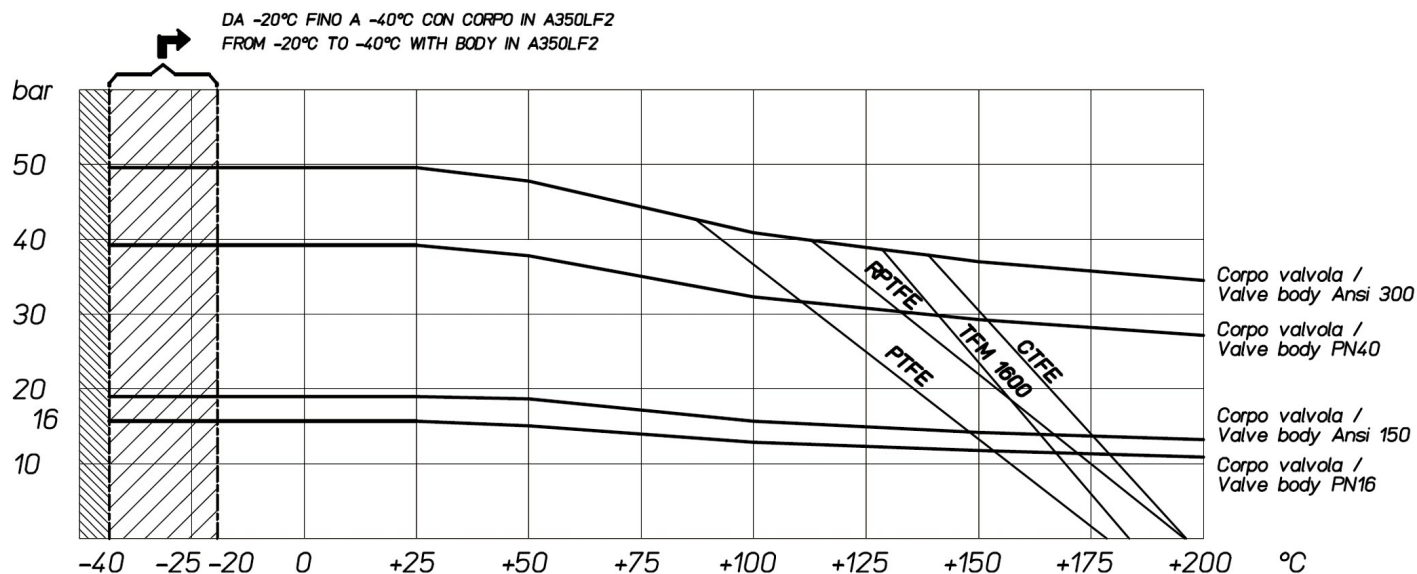
Features & benefits



1	Antistatic device (electrical continuity between ball, stem and body)	Static electricity is avoided which can cause sparks and fire in an inflammable/explosive environment Contact safety throughout the entire life of the valve
2	Double antifriction washer	Less Break Away Torque is granted Less wear comparing with the execution with the single washer
3	"V" seals pack; 3 seals + o-ring	It ensures a perfect tightness even after a high number of cycles
4	Spring washer on the shaft seal	Guarantee of the recovery of the gap due to the wear caused by the rotational movement of the shaft avoiding leakage towards the outside part. Allow to maintain energized the "chevron" seals (V), thus avoiding any leakage to the outside, against huge temperature excursions
5	Stretch Graphite seal	Tightness towards outside is granted, independently by the thermal excursions to which the valve is subjected
	Greater precision in the alignment of axes due to a unique positioning in the process machining from raw material to finished valve	Longer lifetime of the valve Less break away torque
	Easy maintainance directly on site	Reduced maintainance costs
	Valves in carbon steel made with certified material - NACE as standard	Greater corrosion resistance Greater ductility of the material
	100% in- house manufacturing process technology	Maximum control and accuracy in all the stages of the manufacturing process Flexibility in supply quickly special executions requested by customers
	"Fire safe" Certificate	Guarantees the tightness of the valve also in case of fire
	ATEX Certificate	Installation is possible in a potential explosive environment
	TA LUFT fugitive emission Certificate	High level of safety of the tightness towards the outside is granted
	API6D Certificate	Can be used in Oil & Gas and Petrochemical applications Max traceability of the manufacturing process and of the Product itself.
	PED Certificate	Full compliance with European Safety Standards for Pressure Equipment

Diagrams and break away torque

Temperature/pressure diagram for carbon steel valve



BREAK AWAY TORQUE IN Nm WITH TFM 1600 SEAT AND WATER INTERCEPTED FLUID (*)

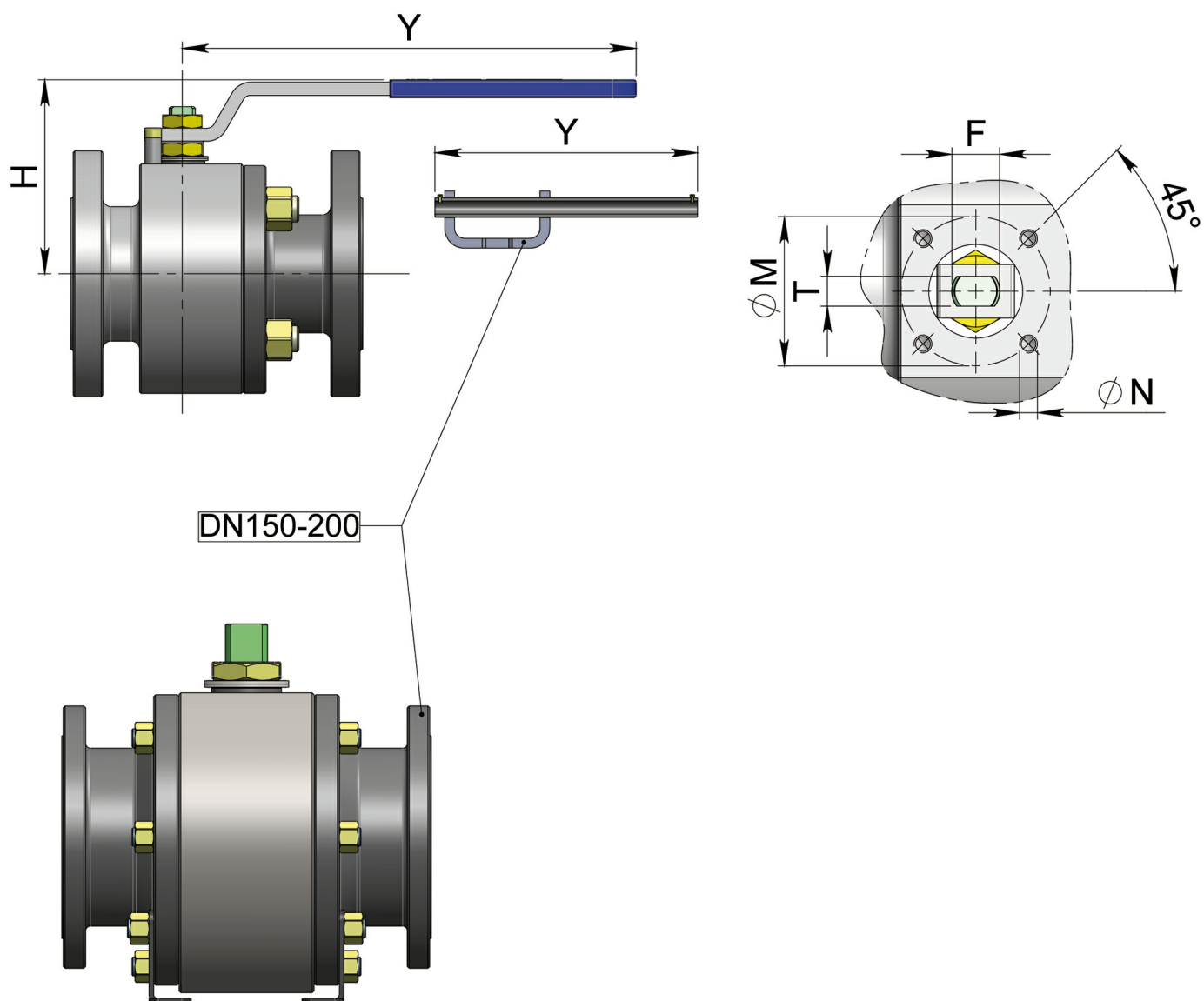
size	DN 15	DN 20	DN 25	DN 32	DN 40	DN 50	DN 65	DN 80	DN 100	DN 125	DN 150	DN 200
0 bar												
PN16 bar	8	13	19	28	42	61	85	128	220	245	405	690
PN25 bar	9,5	14,5	20	29	43	66	98	158	252	383		
PN40 bar	11	16	21	31	44	72	108	165	292	510		
Ansi 150-20 bar	9	14	19,5	30	43	65	96	153	243	360	480	750
Ansi 300-50 bar	12	18	22	32	46	80	115	180	302	570		

(*): If not lubricated fluids and/or fluids containing solid particles are intercepted, torques could be higher than those in the table.

Torque can vary depending on temperature and type of fluid, a safety factor 1.4 must be applied. Torque can drop on high frequency of operation.

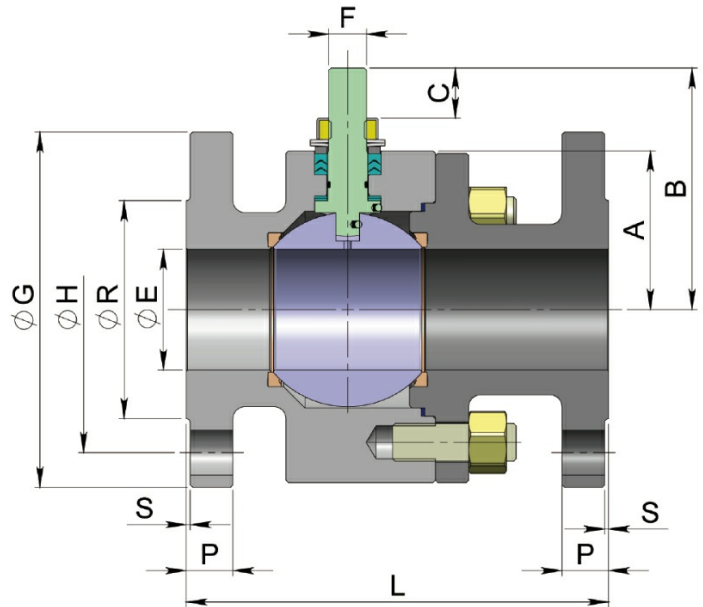
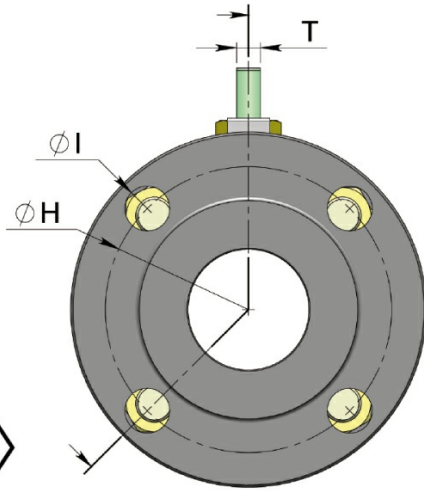
The sizing of pneumatic actuators has been done considering a minimum supply pressure of 5,6 barg.

Dimensions and materials



DIMENSIONS TABLE

SIZE	H	Y	$\varnothing M$	$\varnothing N$	F/T	ATT. ISO	LEVER KIT
DN 15	70	140	36	M5	10/6	F03	KLV58004
DN 20	73	140	36	M5	10/6	F03	KLV58004
DN 25	86	150	42	M5	12/8	F04	KLV58006
DN 32	91	150	42	M5	12/8	F04	KLV58006
DN 40	108	275	50	M6	16/10	F05	KLV58008
DN 50	117	275	50	M6	16/10	F05	KLV58008
DN 65	142	350	70	M8	22/14	F07	KLV58010
DN 80	149	350	70	M8	22/14	F07	KLV58011
DN 100	198	450	102	M10	30/18	F10	KLV58012
DN 125	208	450	102	M10	30/18	F10	KLV58012
DN 150	274	800	140	M16	45/30	F14	KLV58014
DN 200	321	800	140	M16	52/35	F14	KLV58015



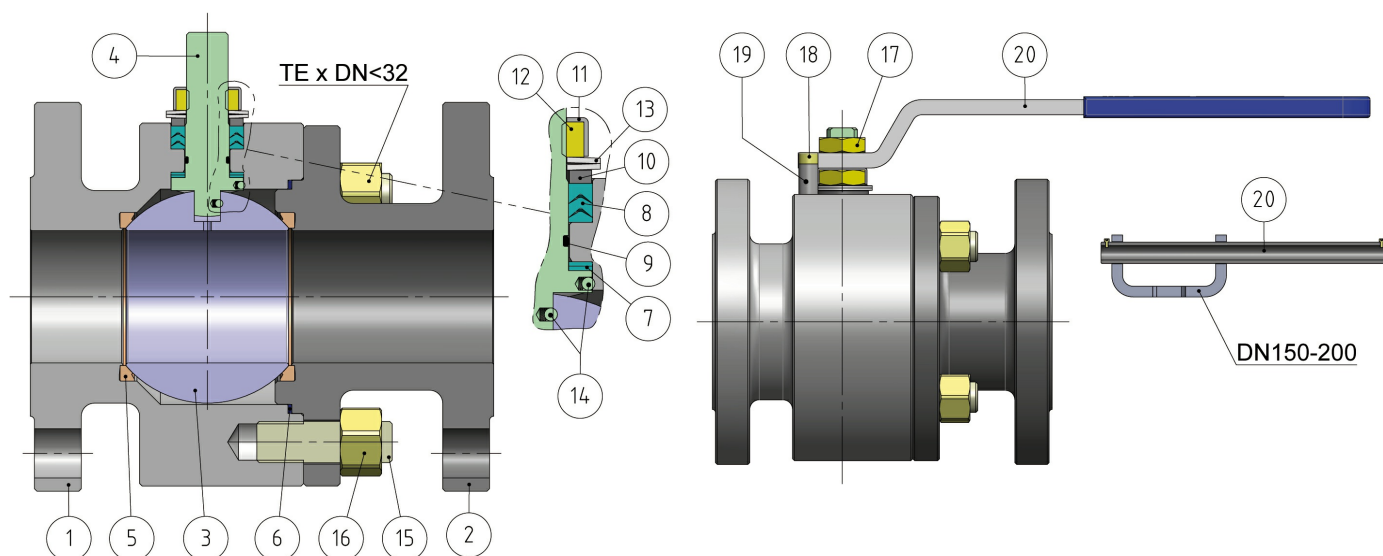
CERTIFICATO API 6D SOLO PER VALVOLE ANSI
API 6D CERTIFICATE ONLY FOR ANSI VALVES

DIMENSIONS TABLE

SIZE	ØE	PN/ANSI	A	B	C	ØG	ØR	S	P	ØH	N° HOLES	ØI	Kg	L	SEALS KIT
DN 15	13	PN16-40	32	52	10	95	45	2	16	65	4	14	3	115 (1)	KGBV485040
DN 15	13	ANSI 150	32	52	10	90	35	1,6	11,2	60,3	4	16	3	108 (3)	KGBV485040
DN 15	13	ANSI 300	32	52	10	95	35	1,6	14,5	66,7	4	16	2,7	140 (3)	KGBV485040
DN 20	19	PN16-40	35	55	10	105	58	2	18	75	4	14	3,8	120 (1)	KGBV485050
DN 20	19	ANSI 150	35	55	10	100	43	1,6	13	69,9	4	16	3,1	117(3)	KGBV485050
DN 20	19	ANSI 300	35	55	10	115	43	1,6	16,6	82,6	4	19	4,2	152(3)	KGBV485050
DN 25	25	PN16-40	42	68	15	115	68	2	18	85	4	14	5,2	125 (1)	KGBV485060
DN 25	25	ANSI 150	42	68	15	110	51	1,6	14,5	79,4	4	16	4,5	127 (3)	KGBV485060
DN 25	25	ANSI 300	42	68	15	125	51	1,6	18	88,9	4	19	5,9	165 (3)	KGBV485060
DN 32	32	PN16-40	47	73	15	140	78	2	18	100	4	18	7,6	130 (1)	KGBV485070
DN 32	32	ANSI 150	47	73	15	115	63,5	1,6	16,1	88,9	4	16	6,2	140 (3)	KGBV485070
DN 32	32	ANSI 300	47	73	15	135	63,5	1,6	19,5	98,4	4	19	8,7	178 (3)	KGBV485070
DN 40	38	PN16-40	58	93	21	150	88	3	18	110	4	18	10	140 (1)	KGBV485080
DN 40	38	ANSI 150	58	93	21	125	73	1,6	18	98,4	4	16	9,4	165 (3)	KGBV485080
DN 40	38	ANSI 300	58	93	21	155	73	1,6	21	114,3	4	22	12	190 (3)	KGBV485080
DN 50	51	PN16-40	67	102	21	165	102	3	20	125	4	18	14,3	150 (1)	KGBV485090
DN 50	51	ANSI 150	67	102	21	150	92	1,6	18	120,6	4	19	13,3	178 (4)	KGBV485090
DN 50	51	ANSI 300	67	102	21	165	92	1,6	21	127	8	19	16,5	216 (4)	KGBV485090
DN 65	64	PN16	83	130,5	28	185	122	3	18	145	4	18	20,2	170 (1)	KGBV485100
DN 65	64	PN25-40	83	130,5	28	185	122	3	22	145	8	18	28,2	270 (2)	KGBV485100
DN 65	64	ANSI 150	83	130,5	28	180	104,8	1,6	22,6	139,7	4	19	23,1	191 (4)	KGBV485100

DN 65	64	ANSI 300	83	130,5	28	190	104,8	1,6	26,1	149,2	8	22	27,3	241 (4)	KGBV485100
DN 80	76	PN16-40	90	137,5	28	200	138	3	24	160	8	18	25,4	180 (1)	KGBV485110
DN 80	76	ANSI 150	90	137,5	28	190	127	1,6	24	152,4	4	19	27	203 (4)	KGBV485110
DN 80	76	ANSI 300	96	137,5	28	210	127	1,6	29	168,3	8	22	38,1	282 (4)	KGBV485110
DN 100	102	PN16	111	172	35	220	158	3	20	180	8	18	38	190 (1)	KGBV485120
DN 100	102	PN25-40	111	172	35	235	162	3	24	190	8	22	57,8	300 (2)	KGBV485120
DN 100	102	ANSI 150	111	172	35	230	157,2	1,6	24,6	190,5	8	19	46	229 (4)	KGBV485120
DN 100	102	ANSI 300	111	172	35	255	157,2	1,6	32,6	200	8	22	67,7	305 (4)	KGBV485120
DN 125	118	PN16	117	182	35	250	188	3	22	210	8	18	68	325 (2)	KGBV485130
DN 125	118	ANSI 150	117	182	35	255	185,7	1,6	24	215,9	8	22	62	254 (3)	KGBV485130
DN 125	118	ANSI 300	125	182	35	280	185,7	1,6	36,6	235	8	22	94	381 (3)	KGBV485130
DN 150	152	PN16	154	227,5	40,5	285	212	3	22	240	8	22	121	350 (2)	KGBV485140
DN 150	152	ANSI 150	154	227,5	40,5	280	216	1,6	25,6	241,3	8	22	126	394 (4)	KGBV485140
DN 200	203	PN16	188	274	44,8	340	268	3	24	295	12	22	198	400 (2)	KGBV485150
DN 200	203	ANSI 150	188	274	44,8	345	269,9	1,6	29	298,4	8	22	210	457 (4)	KGBV485150

(1) EN558 TAB. 2 COL. 14 / DIN 3202-1 F4 (2) EN558 TAB. 2 COL. 15 / DIN 3202-1 F5 (3) ANSI B16.10 (4) B16.10 / API6D



MATERIALS TABLE

N°	Description	A105 Carbon steel body	LF2 Carbon steel body
1	Body	ASTM A105	ASTM A350 LF2
2	Connector		
3	Ball	ASTM A351 CF8 (*) (1.4308/Gx5CrNi19-10)	ASTM A351 CF8 (*) (1.4308/Gx5CrNi19-10)
4	Stem	ASTM A182F6A / A479 Tp.410 (**)	ASTM A182F6A / A479 Tp.410 (**)
5	Seat	TFM1600 (.)	TFM1600 (.)
6	Body-connector gasket	GRAFOIL	GRAFOIL
7	Stem lower sealing	TFM1600 (.)	TFM1600 (.)

8	Chevron rings	TFM1600 (.)	TFM1600 (.)
9	Stem o-ring	FKM (.)	FKM (.)
10	Packing gland ring	Carbon steel galvanized (x) (1)	Carbon steel galvanized (x) (1)
11	Stop nut plate	304 S.S.	304 S.S.
12	Stem nut	UNI 3740-1 6S Galvanized (x)	UNI 3740-1 6S Galvanized (x)
13	Springs washer	50CrV4 Galvanized (xx)	50CrV4 Galvanized (xx)
14	Antistatic device	316 S.S.	316 S.S.
15	Stud bolt	ASTM A193-B7	ASTM A320-L7
16	Nut	ASTM A194-Gr.2H	ASTM A194-Gr.4
17	Lock nut	UNI 3740-1 6S Galvanized (x)	UNI 3740-1 6S Galvanized (x)
18	Holder screw	A2-70 UNI 3740 (304 S.S.)	A2-70 UNI 3740 (304 S.S.)
19	Holder screw	Carbon steel galvanized (x)	Carbon steel galvanized (x) (1)
20	Lever	Fe37 Galvanized (x)	Fe37 Galvanized (x)

Available on request:

(*): A351 CF8M

(**): A564 TP.630 (17-4PH)

(x): 304 s.s.

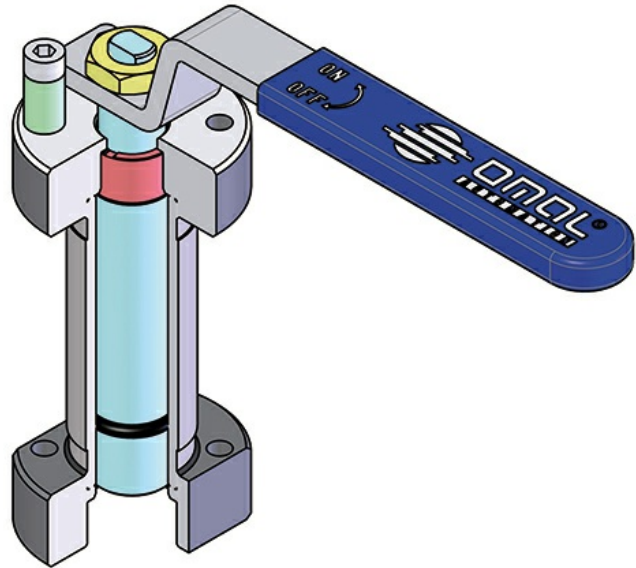
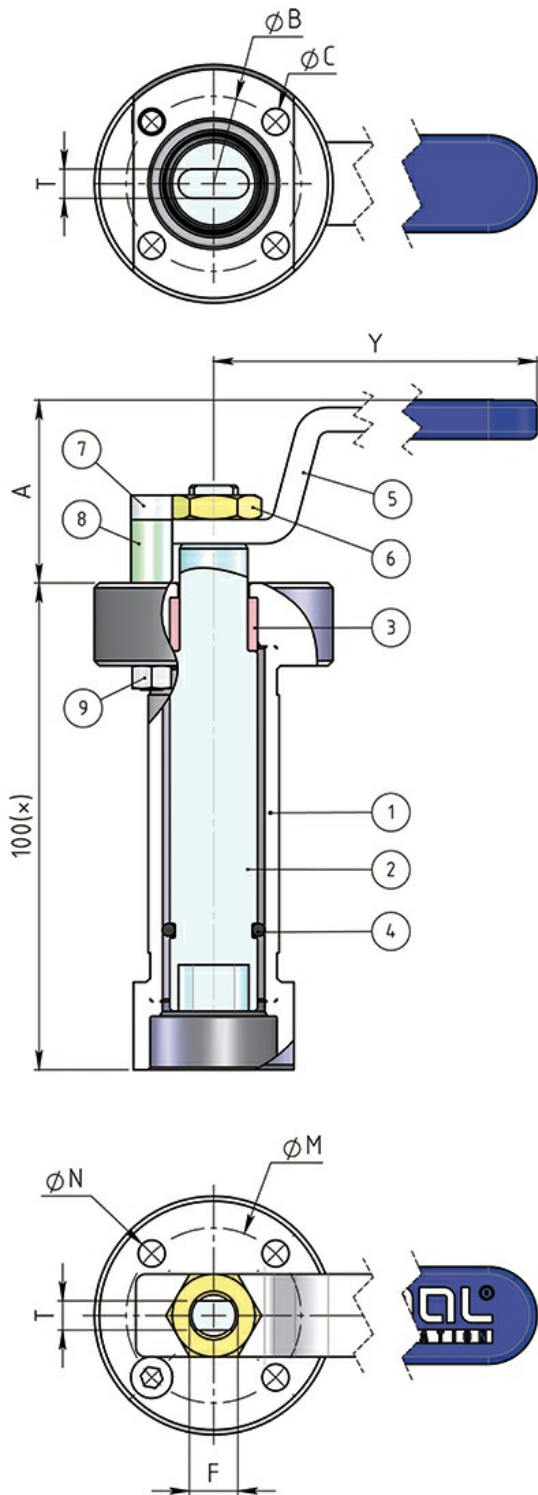
(xx): 301 s.s.

(1): for DN150 & 200 available only in 304 S.S.

(.): Other materials available on request

Shaft extension

WELDED SPINDLE EXTENSION WITH LEVER



MATERIALS TABLE

PART. N°	DESCRIPTION	MATERIALS
1	Extension	AISI304 S.S.
2	Pin	AISI 430 F
3	Bush	DELFIN
4	O-RING	NBR

5	Lever	Fe 37 galvanized (*)
6	Nut	galvanized carbon steel (*)
7	Holder Lever	galvanized carbon steel (*)
8	Holder screw	A2-70
9	Lever nut	A2 (**)

(*): On request available in Aisi 304 s.s.

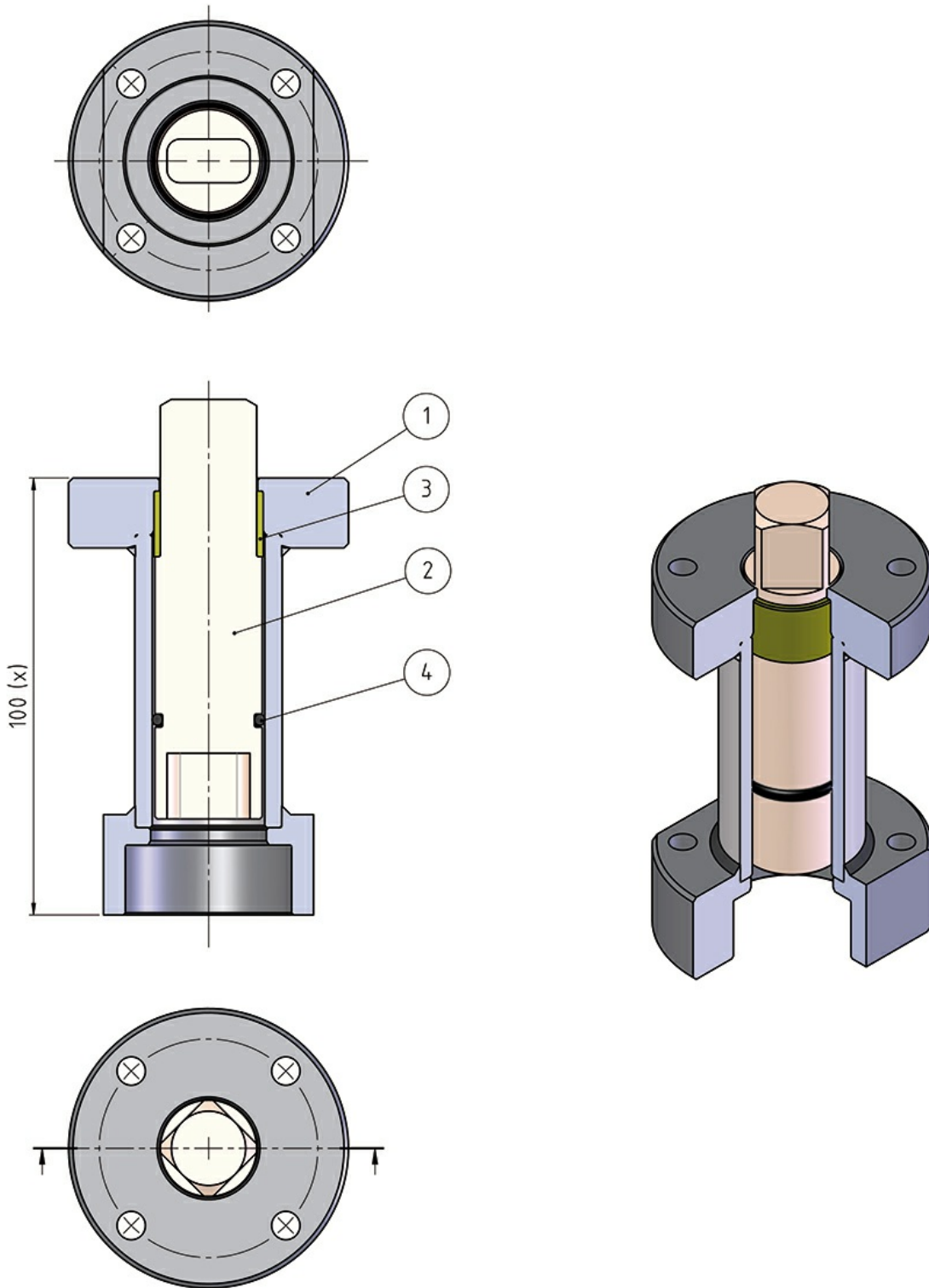
(**): No available on valves with Iso connection F04

DIMENSIONS TABLE

ISO	A	B	C	M	N	F/T	Y
F03	36	36	5,5	36	5,5	10/6	140
F04	43	42	5,5	42	M5	12/8	150
F05	45	50	6,5	50	6,5	16/10	275
F07	54	70	9	70	9	22/14	350
F10	76	102	11	102	11	30/18	450

NOTE: Code of the spindle extension depending from drive's type and valve's connection; to be requested at the order"

SPINDLE EXTENSION FOR ACTUATORS



NOTE: Dimensions depending from valve's connection

NOTE: Dimensions depending from actuator's size

MATERIALS TABLE

PART. N°	DESCRIPTION	MATERIALS
1	Prolunga Extension	304 S.S.
2	Perno Pin	AISI 430 F
3	Bussola Bush	DELRIN

NOTE: Code of the spindle extension depending from drive's type and valve's connection; to be requested at the order"



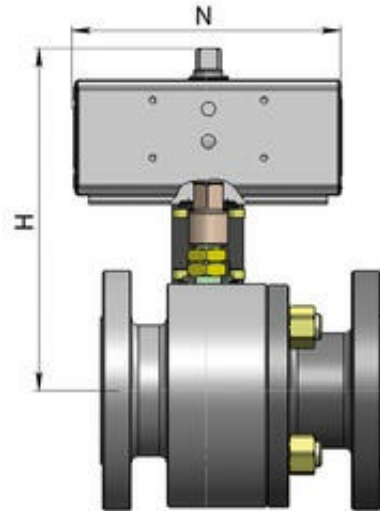
Drives - Bare shaft and lever

CARBON STEEL BARE SHAFT (V__) AND LEVER (L__) OPERATED VALVE CODE			
size	PN/ANSI	A105 Carbon steel	LF2 Carbon steel
DN 15	PN16-40	V/LT104F03CAB0BFQNV00B	V/LT104F03CBB0BHQNV00B
DN 15	ANSI 150	V/LT104104CAB0BFQNV00B	V/LT104104CBB0BHQNV00B
DN 15	ANSI 300	V/LT104204CAB0BFQNV00B	V/LT104204CBB0BHQNV00B
DN 20	PN16-40	V/LT105F03CAB0BFQNV00B	V/LT105F03CBB0BHQNV00B
DN 20	ANSI 150	V/LT105104CAB0BFQNV00B	V/LT105104CBB0BHQNV00B
DN 20	ANSI 300	V/LT105204CAB0BFQNV00B	V/LT105204CBB0BHQNV00B
DN 25	PN16-40	V/LT106F03CAB0BFQNV00B	V/LT106F03CBB0BHQNV00B
DN 25	ANSI 150	V/LT106104CAB0BFQNV00B	V/LT106104CBB0BHQNV00B
DN 25	ANSI 300	V/LT106204CAB0BFQNV00B	V/LT106204CBB0BHQNV00B
DN 32	PN16-40	V/LT107F03CAB0BFQNV00B	V/LT107F03CBB0BHQNV00B
DN 32	ANSI 150	V/LT107104CAB0BFQNV00B	V/LT107104CBB0BHQNV00B
DN 32	ANSI 300	V/LT107204CAB0BGQNV00B	V/LT107204CBB0BIQNV00B
DN 40	PN16-40	V/LT108F03CAB0BGQNV00B	V/LT108F03CBB0BIQNV00B
DN 40	ANSI 150	V/LT108104CAB0BGQNV00B	V/LT108104CBB0BIQNV00B
DN 40	ANSI 300	V/LT108204CAB0BGQNV00B	V/LT108204CBB0BIQNV00B
DN 50	PN16-40	V/LT109F03CAB0BGQNV00B	V/LT109F03CBB0BIQNV00B
DN 50	ANSI 150	V/LT109104CAB0BGQNV00B	V/LT109104CBB0BIQNV00B
DN 50	ANSI 300	V/LT109204CAB0BGQNV00B	V/LT109204CBB0BIQNV00B
DN 65	PN16	V/LT110E03CAB0BGQNV00B	V/LT110E03CBB0BIQNV00B
DN 65	PN25-40	V/LT110I03CAB0BGQNV00B	V/LT110I03CBB0BIQNV00B
DN 65	ANSI 150	V/LT110104CAB0BGQNV00B	V/LT110104CBB0BIQNV00B
DN 65	ANSI 300	V/LT110204CAB0BGQNV00B	V/LT110204CBB0BIQNV00B
DN 80	PN16-40	V/LT111F03CAB0BGQNV00B	V/LT111F03CBB0BIQNV00B
DN 80	ANSI 150	V/LT111104CAB0BGQNV00B	V/LT111104CBB0BIQNV00B
DN 80	ANSI 300	V/LT111204CAB0BGQNV00B	V/LT111204CBB0BIQNV00B
DN 100	PN16	V/LT112E03CAB0BGQNV00B	V/LT112E03CBB0BIQNV00B
DN 100	PN25-40	V/LT112I03CAB0BGQNV00B	V/LT112I03CBB0BIQNV00B
DN 100	ANSI 150	V/LT112104CAB0BGQNV00B	V/LT112104CBB0BIQNV00B
DN 100	ANSI 300	V/LT112204CAB0BGQNV00B	V/LT112204CBB0BIQNV00B
DN 125	PN16	V/LT113E03CAB0BGQNV00B	V/LT113E03CBB0BIQNV00B
DN 125	ANSI 150	V/LT113104CAB0BGQNV00B	V/LT113104CBB0BIQNV00B
DN 125	ANSI 300	V/LT113204CAB0BGQNV00B	V/LT113204CBB0BIQNV00B

DN 150	PN16	V/LT114E03CAB0BGQNV00B	V/LT114E03CBB0BIQNV00B
DN 150	ANSI 150	V/LT114104CAB0BGQNV00B	V/LT114104CBB0BIQNV00B
DN 200	PN16	V/LT115E03CAB0BGQNV00B	V/LT115E03CBB0BIQNV00B
DN 200	ANSI 150	V/LT115104CAB0BGQNV00B	V/LT115104CBB0BIQNV00B



Drives - Double acting pneumatic actuator



Item codes in A105 CARBON Steel							
BODY A105 Carbon steel	Actuator	Connecting kit	Size	PN	N	H	Kg
DT104E03CAB0BFQNV00BAABA0	DA015401S	KCF033761	DN 15	16	115	144,4	3,9
DT104I03CAB0BFQNV00BAACA0	DA030401S	KCF033761	DN 15	25-40	130	152,4	4,1
DT105F03CAB0BFQNV00BAACA0	DA030401S	KCF033761	DN 20	16-40	130	155,4	5,0
DT106F03CAB0BFQNV00BAACA0	DA030401S	KCF033760	DN 25	16-40	130	162,4	6,6
DT107F03CAB0BFQNV00BAADA0	DA045402S	KCF043807	DN 32	16-40	144	172,7	9,0
DT108F03CAB0BGQNV00BAAEA0	DA060402S	KCF043763	DN 40	16-40	152	198,4	11,7
DT109E03CAB0BGQNV00BAAFA0	DA090401S	KCF053764	DN 50	16	169	214,5	16,3
DT109I03CAB0BGQNV00BAAHA0	DA120401S	KCF053764	DN 50	25-40	184	233,4	17,1
DT110E03CAB0BGQNV00BAAHA0	DA120401S	KCF053773	DN 65	16	184	259,4	23,3
DT110I03CAB0BGQNV00BAAIA0	DA180401S	KCF073765	DN 65	25-40	212	269	31,8
DT111E03CAB0BGQNV00BAAIA0	DA180401S	KCF073765	DN 80	16	212	276	28,7
DT111I03CAB0BGQNV00BAAJA0	DA240401S	KCF073765	DN 80	25-40	242	286,4	30,7
DT112E03CAB0BGQNV00BAAKA0	DA360401S	KCF103766	DN 100	16	264	338	46,5
DT112I03CAB0BGQNV00BAALA0	DA480401S	KCF103766	DN 100	25-40	295	353	67,3
DT113E03CAB0BGQNV00BAALA0	DA480401S	KCF103777	DN 125	16	295	359	77,6
DT114E03CAB0BGQNV00BAAMA0	DA720401S	KCF123900	DN 150	16	329,5	432	144
DT115E03CAB0BGQNV00BAAQA0	DAN1440411S	KCF143902	DN 200	16	567	494	227

Item codes in LF2 CARBON Steel							
BODY LF2 Carbon steel	Actuator	Connecting kit	Size	PN	N	H	Kg
DT104E03CBB0BHQNV00BAABA0	DA015401S	KCF033761	DN 15	16	115	144,4	3,9
DT104I03CBB0BHQNV00BAACA0	DA030401S	KCF033761	DN 15	25-40	130	152,4	4,1
DT105F03CBB0BHQNV00BAACA0	DA030401S	KCF033761	DN 20	16-40	130	155,4	5,0
DT106F03CBB0BHQNV00BAACA0	DA030401S	KCF033760	DN 25	16-40	130	162,4	6,6
DT107F03CBB0BHQNV00BAADA0	DA045402S	KCF043807	DN 32	16-40	144	172,7	9,0
DT108F03CBB0BIQNV00BAAEA0	DA060402S	KCF043763	DN 40	16-40	152	198,4	11,7
DT109E03CBB0BIQNV00BAafa0	DA090401S	KCF053764	DN 50	16	169	214,5	16,3
DT109I03CBB0BIQNV00BAAHA0	DA120401S	KCF053764	DN 50	25-40	184	233,4	17,1
DT110E03CBB0BIQNV00BAAHA0	DA120401S	KCF053773	DN 65	16	184	259,4	23,3
DT110I03CBB0BIQNV00BAaIA0	DA180401S	KCF073765	DN 65	25-40	212	269	31,8
DT111E03CBB0BIQNV00BAaIA0	DA180401S	KCF073765	DN 80	16	212	276	28,7
DT111I03CBB0BIQNV00BAaJA0	DA240401S	KCF073765	DN 80	25-40	242	286,4	30,7
DT112E03CBB0BIQNV00BAaKA0	DA360401S	KCF103766	DN 100	16	264	338	46,5
DT112I03CBB0BIQNV00BAaLA0	DA480401S	KCF103766	DN 100	25-40	295	353	67,3
DT113E03CBB0BIQNV00BAaLA0	DA480401S	KCF103777	DN 125	16	295	359	77,6
DT114E03CBB0BIQNV00BAaMA0	DA720401S	KCF123900	DN 150	16	329,5	432	144
DT115E03CBB0BIQNV00BAaQA0	DAN1440411S	KCF143902	DN 200	16	567	494	227

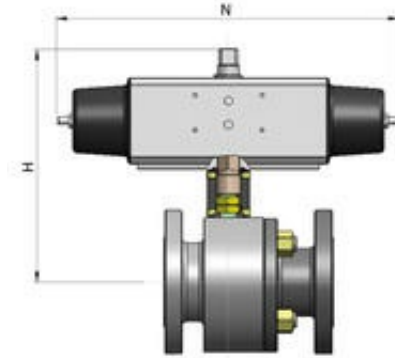
Item codes in A105 CARBON Steel							
BODY A105 Carbon steel	Actuator	Connecting kit	Size	ANSI	N	H	Kg
DT104I04CAB0BFQNV00BAABA0	DA015401S	KCF033761	DN 15	ANSI 150	115	144,4	3,5
DT104204CAB0BFQNV00BAACA0	DA030401S	KCF033761	DN 15	ANSI 300	130	152,4	4,0
DT105I04CAB0BFQNV00BAACA0	DA030401S	KCF033761	DN 20	ANSI 150	130	155,4	4,0
DT105204CAB0BFQNV00BAACA0	DA030401S	KCF033761	DN 20	ANSI 300	130	155,4	5,3
DT106I04CAB0BFQNV00BAACA0	DA030401S	KCF033760	DN 25	ANSI 150	130	162,4	6,0
DT106204CAB0BFQNV00BAACA0	DA030401S	KCF033760	DN 25	ANSI 300	130	162,4	7,3
DT107I04CAB0BFQNV00BAADA0	DA045402S	KCF043762	DN 32	ANSI 150	144	172,7	7,9
DT107204CAB0BGQNV00BAADA0	DA045402S	KCF043762	DN 32	ANSI 300	144	172,7	10,4
DT108I04CAB0BGQNV00BAAEA0	DA060402S	KCF043763	DN 40	ANSI 150	152	198,4	12,3
DT108204CAB0BGQNV00BAAEA0	DA060402S	KCF043763	DN 40	ANSI 300	152	198,4	14,5
DT109I04CAB0BGQNV00BAafa0	DA090401S	KCF053764	DN 50	ANSI 150	169	209,5	15,7
DT109204CAB0BGQNV00BAAHA0	DA120401S	KCF053764	DN 50	ANSI 300	184	239,5	20,5
DT110I04CAB0BGQNV00BAAHA0	DA120401S	KCF053773	DN 65	ANSI 150	184	259,4	24,5
DT110204CAB0BGQNV00BAaIA0	DA180401S	KCF073765	DN 65	ANSI 300	212	169	31,1
DT111I04CAB0BGQNV00BAaIA0	DA180401S	KCF073765	DN 80	ANSI 150	212	276	30,4

DT111204CAB0BGQNV00BAAJA0	DA240401S	KCF073886	DN 80	ANSI 300	242	292,4	42,4
DT112104CAB0BGQNV00BAAKA0	DA360401S	KCF103766	DN 100	ANSI 150	264	338	55,3
DT112204CAB0BGQNV00BAALA0	DA480401S	KCF103766	DN 100	ANSI 300	295	353	77,3
DT113104CAB0BGQNV00BAALA0	DA480401S	KCF103777	DN 125	ANSI 150	295	359	75,7
DT113204CAB0BGQNV00BAAMA0	DA720401S	KCF123898	DN 125	ANSI 300	329,5	383	103
DT114104CAB0BGQNV00BAAMA0	DA720401S	KCF123900	DN 150	ANSI 150	329,5	432	159
DT115104CAB0BGQNV00BAAQA0	DAN1440411S	KCF143902	DN 200	ANSI 150	567	494	238

Item codes in LF2 CARBON Steel							
BODY LF2 Carbon steel	Actuator	Connecting kit	Size	ANSI	N	H	Kg
DT104104CBB0BHQNV00BAABA0	DA015401S	KCF033761	DN 15	ANSI 150	115	144,4	3,5
DT104204CBB0BHQNV00BAACA0	DA030401S	KCF033761	DN 15	ANSI 300	130	152,4	4,0
DT105104CBB0BHQNV00BAACA0	DA030401S	KCF033761	DN 20	ANSI 150	130	155,4	4,0
DT105204CBB0BHQNV00BAACA0	DA030401S	KCF033761	DN 20	ANSI 300	130	155,4	5,3
DT106104CBB0BHQNV00BAACA0	DA030401S	KCF033760	DN 25	ANSI 150	130	162,4	6,0
DT106204CBB0BHQNV00BAACA0	DA030401S	KCF033760	DN 25	ANSI 300	130	162,4	7,3
DT107104CBB0BHQNV00BAADA0	DA045402S	KCF043762	DN 32	ANSI 150	144	172,7	7,9
DT107204CBB0BIQNV00BAADA0	DA045402S	KCF043762	DN 32	ANSI 300	144	172,7	10,4
DT108104CBB0BIQNV00BAAEA0	DA060402S	KCF043763	DN 40	ANSI 150	152	198,4	12,3
DT108204CBB0BIQNV00BAAEA0	DA060402S	KCF043763	DN 40	ANSI 300	152	198,4	14,5
DT109104CBB0BIQNV00BAAF0	DA090401S	KCF053764	DN 50	ANSI 150	169	209,5	15,7
DT109204CBB0BIQNV00BAAHA0	DA120401S	KCF053764	DN 50	ANSI 300	184	239,5	20,5
DT110104CBB0BIQNV00BAAHA0	DA120401S	KCF053773	DN 65	ANSI 150	184	259,4	24,5
DT110204CBB0BIQNV00BAAIA0	DA180401S	KCF073765	DN 65	ANSI 300	212	169	31,1
DT111104CBB0BIQNV00BAAIA0	DA180401S	KCF073765	DN 80	ANSI 150	212	276	30,4
DT111204CBB0BIQNV00BAAJA0	DA240401S	KCF073886	DN 80	ANSI 300	242	292,4	42,4
DT112104CBB0BIQNV00BAAKA0	DA360401S	KCF103766	DN 100	ANSI 150	264	338	55,3
DT112204CBB0BIQNV00BAALA0	DA480401S	KCF103766	DN 100	ANSI 300	295	353	77,3
DT113104CBB0BIQNV00BAALA0	DA480401S	KCF103777	DN 125	ANSI 150	295	359	75,7
DT113204CBB0BIQNV00BAAMA0	DA720401S	KCF123898	DN 125	ANSI 300	329,5	383	103
DT114104CBB0BIQNV00BAAMA0	DA720401S	KCF123900	DN 150	ANSI 150	329,5	432	159
DT115104CBB0BIQNV00BAAQA0	DAN1440411S	KCF143902	DN 200	ANSI 150	567	494	238



Drives - Spring return pneumatic actuator



Item codes in A105 CARBON Steel							
BODY A105 Carbon steel	Actuator	Connecting kit	Size	PN	N	H	Kg
ST104E03CAB0BFQNV00BAACA0	SR015401S	KCF033761	DN 15	16	221	152,4	4,5
ST104I03CAB0BFQNV00BAAEA0	SR030402S	KCF043767	DN 15	25-40	240	162,4	4,8
ST105F03CAB0BFQNV00BAAEA0	SR030402S	KCF043767	DN 20	16-40	240	165,4	6,0
ST106F03CAB0BFQNV00BAAEA0	SR030402S	KCF043807	DN 25	16-40	240	172,4	7,6
ST107F03CAB0BFQNV00BAAFA0	SR045401S	KCF053768	DN 32	16-40	294	184,5	10,8
ST108F03CAB0BGQNV00BAAHA0	SR060401S	KCF053764	DN 40	16-40	320	224,4	13,2
ST109E03CAB0BGQNV00BAAIA0	SR090401S	KCF073769	DN 50	16	357	243	18,8
ST109I03CAB0BGQNV00BAAJA0	SR120401S	KCF073769	DN 50	25-40	368	253,4	20,7
ST110E03CAB0BGQNV00BAAJA0	SR120401S	KCF073765	DN 65	16	368	279,4	26,7
ST110I03CAB0BGQNV00BAAKA0	SR180401S	KCF103770	DN 65	25-40	436	291	37,2
ST111E03CAB0BGQNV00BAAKA0	SR180401S	KCF103770	DN 80	16	436	298	35,4
ST111I03CAB0BGQNV00BAALA0	SR240401S	KCF103770	DN 80	25-40	456	310	36,2
ST112E03CAB0BGQNV00BAAMA0	SR360401S	KCF104150	DN 100	16	566	369	56,0
ST112I03CAB0BGQNV00BAANA0	SR480401S	KCF123771	DN 100	25-40	602	381,2	76,8
ST113E03CAB0BGQNV00BAANA0	SR480401S	KCF123778	DN 125	16	602	387,2	87,1
ST114E03CAB0BGQNV00BAAQA0	SRN0720401S	KCF143901	DN 150	16	798	563,5	178
ST115E03CAB0BGQNV00BAASA0	SR1440E16D8A	KCF163903	DN 200	16	834	723	282

Item codes in LF2 CARBON Steel

BODY LF2 Carbon steel	Actuator	Connecting kit	Size	PN	N	H	Kg
ST104E03CBB0BHQNV00BAACA0	SR015401S	KCF033761	DN 15	16	221	152,4	4,5
ST104I03CBB0BHQNV00BAAEA0	SR030402S	KCF043767	DN 15	25-40	240	162,4	4,8
ST105F03CBB0BHQNV00BAAEA0	SR030402S	KCF043767	DN 20	16-40	240	165,4	6,0
ST106F03CBB0BHQNV00BAAEA0	SR030402S	KCF043807	DN 25	16-40	240	172,4	7,6
ST107F03CBB0BHQNV00BAAFA0	SR045401S	KCF053768	DN 32	16-40	294	184,5	10,8
ST108F03CBB0BIQNV00BAAHA0	SR060401S	KCF053764	DN 40	16-40	320	224,4	13,2
ST109E03CBB0BIQNV00BAAIA0	SR090401S	KCF073769	DN 50	16	357	243	18,8
ST109I03CBB0BIQNV00BAAJA0	SR120401S	KCF073769	DN 50	25-40	368	253,4	20,7
ST110E03CBB0BIQNV00BAAJA0	SR120401S	KCF073765	DN 65	16	368	279,4	26,7
ST110I03CBB0BIQNV00BAAKA0	SR180401S	KCF103770	DN 65	25-40	436	291	37,2
ST111E03CBB0BIQNV00BAAKA0	SR180401S	KCF103770	DN 80	16	436	298	35,4
ST111I03CBB0BIQNV00BAALA0	SR240401S	KCF103770	DN 80	25-40	456	310	36,2
ST112E03CBB0BIQNV00BAAMA0	SR360401S	KCF104150	DN 100	16	566	369	56,0
ST112I03CBB0BIQNV00BAANA0	SR480401S	KCF123771	DN 100	25-40	602	381,2	76,8
ST113E03CBB0BIQNV00BAANA0	SR480401S	KCF123778	DN 125	16	602	387,2	87,1
ST114E03CBB0BIQNV00BAAQA0	SRN0720401S	KCF143901	DN 150	16	798	563,5	178
ST115E03CBB0BIQNV00BAASA0	SR1440E16D8A	KCF163903	DN 200	16	834	723	282

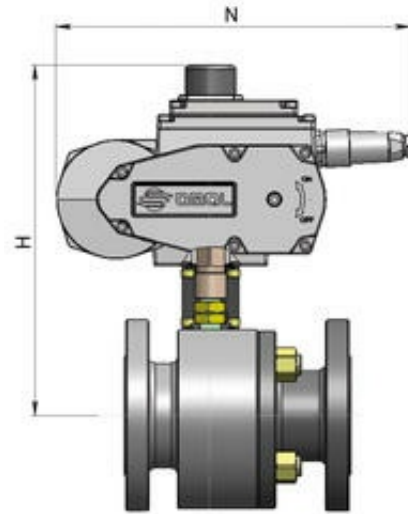
Item codes in A105 CARBON Steel							
BODY A105 Carbon steel	Actuator	Connecting kit	Size	ANSI	N	H	Kg
ST104104CAB0BFQNV00BAACA0	SR015401S	KCF033761	DN 15	ANSI 150	221	152,4	4,0
ST104204CAB0BFQNV00BAAEA0	SR030402S	KCF043767	DN 15	ANSI 300	240	162,4	4,7
ST105104CAB0BFQNV00BAAEA0	SR030402S	KCF043767	DN 20	ANSI 150	240	165,4	5,3
ST105204CAB0BFQNV00BAAEA0	SR030402S	KCF043767	DN 20	ANSI 300	240	165,4	6,3
ST106104CAB0BFQNV00BAAEA0	SR030402S	KCF043807	DN 25	ANSI 150	240	172,4	6,9
ST106204CAB0BFQNV00BAAEA0	SR030402S	KCF043807	DN 25	ANSI 300	240	172,4	8,3
ST107104CAB0BFQNV00BAAFA0	SR045401S	KCF053768	DN 32	ANSI 150	294	184,5	7,2
ST107204CAB0BGQNV00BAAFA0	SR045401S	KCF053768	DN 32	ANSI 300	294	184,5	11,8
ST108104CAB0BGQNV00BAAHA0	SR060401S	KCF053764	DN 40	ANSI 150	320	224,4	15,2
ST108204CAB0BGQNV00BAAHA0	SR060401S	KCF053764	DN 40	ANSI 300	320	224,4	17,8
ST109104CAB0BGQNV00BAAIA0	SR090401S	KCF073769	DN 50	ANSI 150	357	243	18,8
ST109204CAB0BGQNV00BAAJA0	SR120401S	KCF073769	DN 50	ANSI 300	372	253,4	24,1
ST110104CAB0BGQNV00BAAJA0	SR120401S	KCF073765	DN 65	ANSI 150	372	279,4	29,6
ST110204CAB0BGQNV00BAAKA0	SR180401S	KCF103770	DN 65	ANSI 300	436	291	36,5
ST111104CAB0BGQNV00BAAKA0	SR180401S	KCF103770	DN 80	ANSI 150	436	298	37,0

ST111204CAB0BGQNV00BAALA0	SR240401S	KCF103892	DN 80	ANSI 300	456	310	49,4
ST112104CAB0BGQNV00BAAMA0	SR360401S	KCF104150	DN 100	ANSI 150	566	369	62,8
ST112204CAB0BGQNV00BAANA0	SR480401S	KCF123771	DN 100	ANSI 300	602	381,2	86,8
ST113104CAB0BGQNV00BAANA0	SR480401S	KCF123778	DN 125	ANSI 150	602	387,2	81,8
ST113204CAB0BGQNV00BAAQA0	SRN0720401S	KCF143899	DN 125	ANSI 300	798	421	117
ST114104CAB0BGQNV00BAAQA0	SRN0720401S	KCF143901	DN 150	ANSI 150	798	563	190
ST115104CAB0BGQNV00BAASA0	SR1440E16D8A	KCF163903	DN 200	ANSI 150	834	723	283

Item codes in LF2 CARBON Steel							
BODY LF2 Carbon steel	Actuator	Connecting kit	Size	ANSI	N	H	Kg
ST104104CBB0BHQNV00BAACA0	SR015401S	KCF033761	DN 15	ANSI 150	221	152,4	4,0
ST104204CBB0BHQNV00BAAEA0	SR030402S	KCF043767	DN 15	ANSI 300	240	162,4	4,7
ST105104CBB0BHQNV00BAAEA0	SR030402S	KCF043767	DN 20	ANSI 150	240	165,4	5,3
ST105204CBB0BHQNV00BAAEA0	SR030402S	KCF043767	DN 20	ANSI 300	240	165,4	6,3
ST106104CBB0BHQNV00BAAEA0	SR030402S	KCF043807	DN 25	ANSI 150	240	172,4	6,9
ST106204CBB0BHQNV00BAAEA0	SR030402S	KCF043807	DN 25	ANSI 300	240	172,4	8,3
ST107104CBB0BHQNV00BAAFA0	SR045401S	KCF053768	DN 32	ANSI 150	294	184,5	7,2
ST107204CBB0BIQNV00BAAFA0	SR045401S	KCF053768	DN 32	ANSI 300	294	184,5	11,8
ST108104CBB0BIQNV00BAAHA0	SR060401S	KCF053764	DN 40	ANSI 150	320	224,4	15,2
ST108204CBB0BIQNV00BAAHA0	SR060401S	KCF053764	DN 40	ANSI 300	320	224,4	17,8
ST109104CBB0BIQNV00BAAIA0	SR090401S	KCF073769	DN 50	ANSI 150	357	243	18,8
ST109204CBB0BIQNV00BAAJA0	SR120401S	KCF073769	DN 50	ANSI 300	372	253,4	24,1
ST110104CBB0BIQNV00BAAJA0	SR120401S	KCF073765	DN 65	ANSI 150	372	279,4	29,6
ST110204CBB0BIQNV00BAAKA0	SR180401S	KCF103770	DN 65	ANSI 300	436	291	36,5
ST111104CBB0BIQNV00BAAKA0	SR180401S	KCF103770	DN 80	ANSI 150	436	298	37,0
ST111204CBB0BIQNV00BAALA0	SR240401S	KCF103892	DN 80	ANSI 300	456	310	49,4
ST112104CBB0BIQNV00BAAMA0	SR360401S	KCF104150	DN 100	ANSI 150	566	369	62,8
ST112204CBB0BIQNV00BAANA0	SR480401S	KCF123771	DN 100	ANSI 300	602	381,2	86,8
ST113104CBB0BIQNV00BAANA0	SR480401S	KCF123778	DN 125	ANSI 150	602	387,2	81,8
ST113204CBB0BIQNV00BAAQA0	SRN0720401S	KCF143899	DN 125	ANSI 300	798	421	117
ST114104CBB0BIQNV00BAAQA0	SRN0720401S	KCF143901	DN 150	ANSI 150	798	563	190
ST115104CBB0BIQNV00BAASA0	SR1440E16D8A	KCF163903	DN 200	ANSI 150	834	723	283



Drives - Electric actuators



Item codes in A105 CARBON Steel

BODY A105 Carbon steel	Actuator	Connecting kit	Size	PN	N	H	Kg
ET104F03CAB0BFQNV00BAMEG0	EA0035A5C000	KCF053775	DN 15	16-40	250	209	6,4
ET105F03CAB0BFQNV00BAMEG0	EA0035A5C000	KCF053775	DN 20	16-40	250	212	6,4
ET106F03CAB0BFQNV00BAMEG0	EA0035A5C000	KCF053768	DN 25	16-40	250	219	8,8
ET107F03CAB0BFQNV00BAMGG0	EA0070A5C000	KCF053768	DN 32	16-40	250	224	11,2
ET108F03CAB0BGQNV00BAMGG0	EA0070A5C000	KCF053764	DN 40	16-40	250	245	13,6
ET109F03CAB0BGQNV00BAMIG0	EA0130A5C000	KCF073769	DN 50	16-40	280	274,6	21,6
ET110E03CAB0BGQNV00BAMIG0	EA0130A5C000	KCF073765	DN 65	16	280	300,6	27,7
ET110I03CAB0BGQNV00BAMKG0	EA0240A5C000	KCF103770	DN 65	25-40	280	300,6	35,6
ET111F03CAB0BGQNV00BAMKG0	EA0240A5C000	KCF103770	DN 80	16-40	280	307,6	32,9
ET112E03CAB0BGQNV00BAMNA0	AE160040	KCE364166	DN 100	16	256,5	376	48,5
ET112I03CAB0BGQNV00BAMNA0	AE160040	KCE363776	DN 100	25-40	256,5	376	68
ET113E03CAB0BGQNV00BAMNA0	AE160040	KCE363776	DN 125	16	256,5	382	78,5
ET114E03CAB0BGQNV00BAMRA0	AE160060	KCE563908	DN 150	16	381	488	144
ET115E03CAB0BGQNV00BAMTA0	AE160100	KCE563909	DN 200	16	381	522	211

Items available also with modulating actuator

Item codes in LF2 CARBON Steel

BODY LF2 Carbon steel	Actuator	Connecting kit	Size	PN	N	H	Kg
--------------------------	----------	----------------	------	----	---	---	----

ET104F03CBB0BHQNV00BAMEG0	EA0035A5C000	KCF053775	DN 15	16-40	250	209	6,4
ET105F03CBB0BHQNV00BAMEG0	EA0035A5C000	KCF053775	DN 20	16-40	250	212	6,4
ET106F03CBB0BHQNV00BAMEG0	EA0035A5C000	KCF053768	DN 25	16-40	250	219	8,8
ET107F03CBB0BHQNV00BAMGG0	EA0070A5C000	KCF053768	DN 32	16-40	250	224	11,2
ET108F03CBB0BIQNV00BAMGG0	EA0070A5C000	KCF053764	DN 40	16-40	250	245	13,6
ET109F03CBB0BIQNV00BAMIG0	EA0130A5C000	KCF073769	DN 50	16-40	280	274,6	21,6
ET110E03CBB0BIQNV00BAMIG0	EA0130A5C000	KCF073765	DN 65	16	280	300,6	27,7
ET110I03CBB0BIQNV00BAMKG0	EA0240A5C000	KCF103770	DN 65	25-40	280	300,6	35,6
ET111F03CBB0BIQNV00BAMKG0	EA0240A5C000	KCF103770	DN 80	16-40	280	307,6	32,9
ET112E03CBB0BIQNV00BAMNA0	AE160040	KCE364166	DN 100	16	256,5	376	48,5
ET112I03CBB0BIQNV00BAMNA0	AE160040	KCE363776	DN 100	25-40	256,5	376	68
ET113E03CBB0BIQNV00BAMNA0	AE160040	KCE363776	DN 125	16	256,5	382	78,5
ET114E03CBB0BIQNV00BAMRA0	AE160060	KCE563908	DN 150	16	381	488	144
ET115E03CBB0BIQNV00BAMTA0	AE160100	KCE563909	DN 200	16	381	522	211

Items available also with modulating actuator

Item codes in A105 CARBON Steel							
BODY A105 Carbon steel	Actuator	Connecting kit	Size	ANSI	N	H	Kg
ET104104CAB0BFQNV00BAMEG0	EA0035A5C000	KCF053775	DN 15	ANSI 150	250	209	6,0
ET104204CAB0BFQNV00BAMEG0	EA0035A5C000	KCF053775	DN 15	ANSI 300	250	209	6,3
ET105104CAB0BFQNV00BAMEG0	EA0035A5C000	KCF053775	DN 20	ANSI 150	250	212	6,5
ET105204CAB0BFQNV00BAMEG0	EA0035A5C000	KCF053775	DN 20	ANSI 300	250	212	7,5
ET106104CAB0BFQNV00BAMEG0	EA0035A5C000	KCF053768	DN 25	ANSI 150	250	219	8,2
ET106204CAB0BFQNV00BAMEG0	EA0035A5C000	KCF053768	DN 25	ANSI 300	250	219	9,5
ET107104CAB0BFQNV00BAMGG0	EA0070A5C000	KCF053768	DN 32	ANSI 150	250	224	7,8
ET107204CAB0BGQNV00BAMGG0	EA0070A5C000	KCF053768	DN 32	ANSI 300	250	224	12,3
ET108104CAB0BGQNV00BAMGG0	EA0070A5C000	KCF053764	DN 40	ANSI 150	250	245	13,0
ET108204CAB0BGQNV00BAMGG0	EA0070A5C000	KCF053764	DN 40	ANSI 300	250	245	15,6
ET109104CAB0BGQNV00BAMIG0	EA0130A5C000	KCF073769	DN 50	ANSI 150	280	274,6	21,8
ET109204CAB0BGQNV00BAMIG0	EA0130A5C000	KCF073769	DN 50	ANSI 300	280	274,6	27,0
ET110104CAB0BGQNV00BAMIG0	EA0130A5C000	KCF073765	DN 65	ANSI 150	280	300,6	30,5
ET110204CAB0BGQNV00BAMKG0	EA0240A5C000	KCF103770	DN 65	ANSI 300	280	300,6	34,8
ET111104CAB0BGQNV00BAMKG0	EA0240A5C000	KCF103770	DN 80	ANSI 150	280	307,6	34,5
ET111204CAB0BGQNV00BAMKG0	EA0240A5C000	KCF103892	DN 80	ANSI 300	280	307,6	45,1
ET112104CAB0BGQNV00BAMNA0	AE160040	KCE363776	DN 100	ANSI 150	256,5	376	56,5
ET112204CAB0BGQNV00BAMNA0	AE160040	KCE363776	DN 100	ANSI 300	256,5	376	78
ET113104CAB0BGQNV00BAMNA0	AE160040	KCE363779	DN 125	ANSI 150	256,5	382	72,5
ET113204CAB0BGQNV00BAMRA0	AE160060	KCE563907	DN 125	ANSI 300	381	439	112

ET114104CAB0BGQNV00BAMRA0	AE160060	KCE563908	DN 150	ANSI 150	381	488	149
ET115104CAB0BGQNV00BAMTA0	AE160100	KCE563909	DN 200	ANSI 150	381	522	223

Items available also with modulating actuator

Item codes in LF2 CARBON Steel							
BODY LF2 Carbon steel	Actuator	Connecting kit	Size	ANSI	N	H	Kg
ET104104CBB0BHQNV00BAMEG0	EA0035A5C000	KCF053775	DN 15	ANSI 150	250	209	6,0
ET104204CBB0BHQNV00BAMEG0	EA0035A5C000	KCF053775	DN 15	ANSI 300	250	209	6,3
ET105104CBB0BHQNV00BAMEG0	EA0035A5C000	KCF053775	DN 20	ANSI 150	250	212	6,5
ET105204CBB0BHQNV00BAMEG0	EA0035A5C000	KCF053775	DN 20	ANSI 300	250	212	7,5
ET106104CBB0BHQNV00BAMEG0	EA0035A5C000	KCF053768	DN 25	ANSI 150	250	219	8,2
ET106204CBB0BHQNV00BAMEG0	EA0035A5C000	KCF053768	DN 25	ANSI 300	250	219	9,5
ET107104CBB0BHQNV00BAMGG0	EA0070A5C000	KCF053768	DN 32	ANSI 150	250	224	7,8
ET107204CBB0BIQNV00BAMGG0	EA0070A5C000	KCF053768	DN 32	ANSI 300	250	224	12,3
ET108104CBB0BIQNV00BAMGG0	EA0070A5C000	KCF053764	DN 40	ANSI 150	250	245	13,0
ET108204CBB0BIQNV00BAMGG0	EA0070A5C000	KCF053764	DN 40	ANSI 300	250	245	15,6
ET109104CBB0BIQNV00BAMIG0	EA0130A5C000	KCF073769	DN 50	ANSI 150	280	274,6	21,8
ET109204CBB0BIQNV00BAMIG0	EA0130A5C000	KCF073769	DN 50	ANSI 300	280	274,6	27,0
ET110104CBB0BIQNV00BAMIG0	EA0130A5C000	KCF073765	DN 65	ANSI 150	280	300,6	30,5
ET110204CBB0BIQNV00BAMKG0	EA0240A5C000	KCF103770	DN 65	ANSI 300	280	300,6	34,8
ET111104CBB0BIQNV00BAMKG0	EA0240A5C000	KCF103770	DN 80	ANSI 150	280	307,6	34,5
ET111204CBB0BIQNV00BAMKG0	EA0240A5C000	KCF103892	DN 80	ANSI 300	280	307,6	45,1
ET112104CBB0BIQNV00BAMNA0	AE160040	KCE363776	DN 100	ANSI 150	256,5	376	56,5
ET112204CBB0BIQNV00BAMNA0	AE160040	KCE363776	DN 100	ANSI 300	256,5	376	78
ET113104CBB0BIQNV00BAMNA0	AE160040	KCE363779	DN 125	ANSI 150	256,5	382	72,5
ET113204CBB0BIQNV00BAMRA0	AE160060	KCE563907	DN 125	ANSI 300	381	439	112
ET114104CBB0BIQNV00BAMRA0	AE160060	KCE563908	DN 150	ANSI 150	381	488	149
ET115104CBB0BIQNV00BAMTA0	AE160100	KCE563909	DN 200	ANSI 150	381	522	223

Items available also with modulating actuator