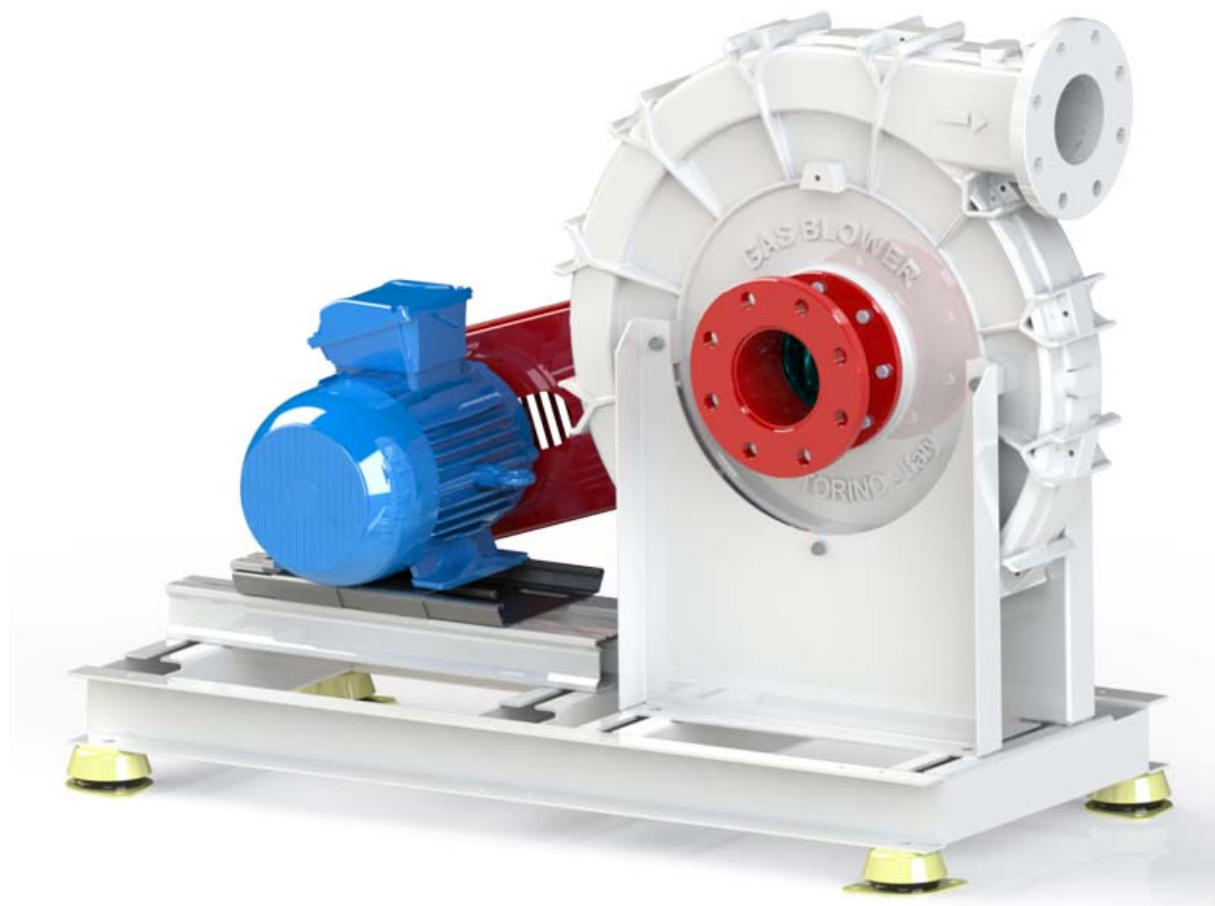




SOFFIANTI

BLOWERS

SAB 100



TECHNICAL CHARACTERISTICS:

High-pressure centrifugal blower with a wide range of applications; we mention here below few of them:
Centralized cleaning systems – Pneumatic conveying systems – Liquids agitations - Air jets – Air curtains – Cooling – Drying – Blowing - Gas feeding under strong pressure – Gas burner – Gas line booster – Gas welding under pressure – Naphtha burners - Engine test room – Chips removing – Spraying system – Suction under strong depression for bulk transportation – Blowing and sucking in the typographic machines.

When the SAB blowers are working, they can create noise levels that exceed 80 dB(A). The level depends on the flow rate and pressure performance values, and on the reverberating properties of the environment.

Maximum temperature of inlet fluid: 80°C (referred to air).

Available in Atex version for Zone 1 and Zone 2.

CONSTRUCTION:

- **Central case** in aluminum .
- **Aluminum intake and delivery heads** with labyrinth seal on shaft passage.
- **Rotor** consisting of steel impellers mounted on the special steel shaft statically and dynamically balanced.
- **The ball and roller bearings** are housed in cast iron supports with loop seals, the lubrication automatically eliminates the exceeding grease.
- **Transmission** by belts and pulleys. Belt tighteners, on motor mounting plate
- **Transmission steel grid protection casing** complying to accident prevention standards on motor support base

OPTIONAL:

1)Base

Blower/ motor single block in thick steel profiles.

2) Soundproof cabin

The soundproof cabin is used to damp the sound level generated by the operating fan and to protect it from strict weather conditions when it is installed outdoor.

The average sound reduction is approx. 15 dB(A); for higher sound decrease and/or special applications, please call our Technical Department.

The soundproof cabin framework consists of:

- Galvanized steel sections
- Double-wall panels, outside plated with galvanized sheet metal and inside covered with micro-expanded wire-netting, filled inside with high-density mineral wool (45 mm thick).
- Base of welded steel profiles.

Cabin options:

- Door safety micro switch.
- Inside lighting with external switch IP55.
- Painting (otherwise, the cabin is delivered galvanized at sight).

Warnings

- The cabin is not provided with bottom panel.
- To install the blower in the cabin, vibration-damping couplings must be used on the suction and on the discharge sides.

3)Silencers

The suction and discharge nozzles are the main sources of noise on the blower. To obtain the best results to damp the noise, the silencers should be placed as close as possible to the nozzles. The silencers should be supported by brackets. **The silencers should be separated from the inlet and outlet mouths using the vibration-damping couplings.**

4)Inlet and outlet vibration-damping couplings

These vibration compensators are used to couple the inlet and outlet mouths to the piping.

The coupling prevents vibrations being transmitted from and to the machine and absorbs the thermal expansion. The accessories and pipes connected over the coupling are to be appropriately supported so that they do not stretch the couplings.

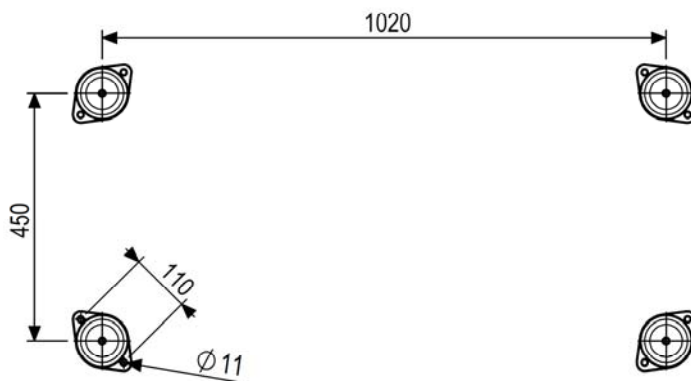
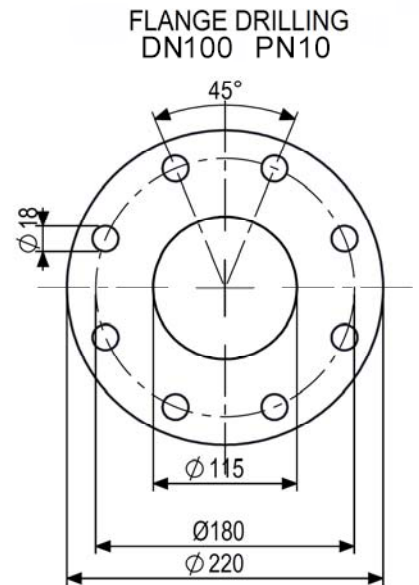
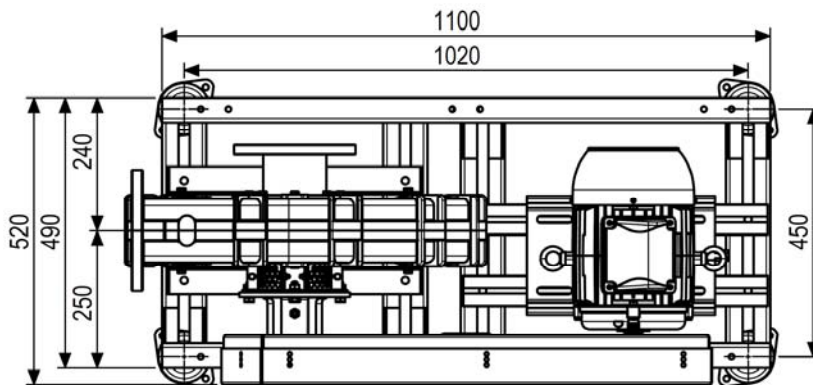
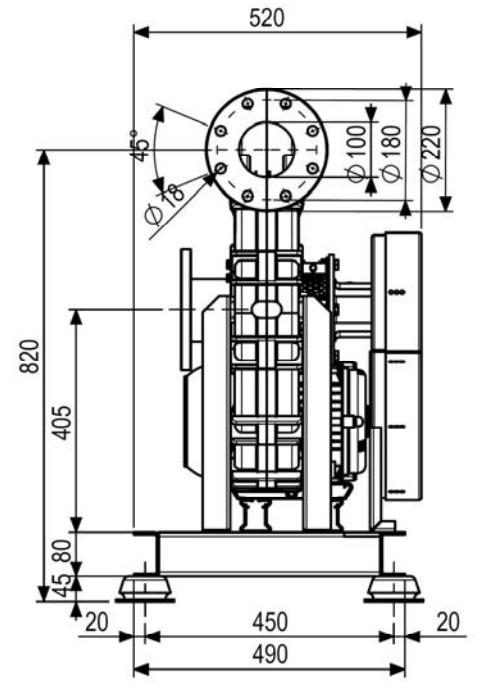
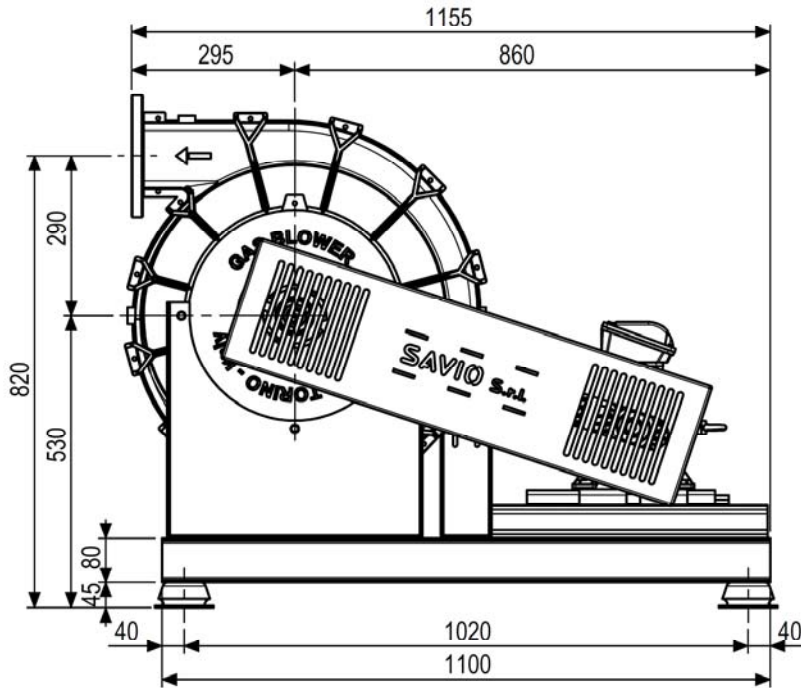
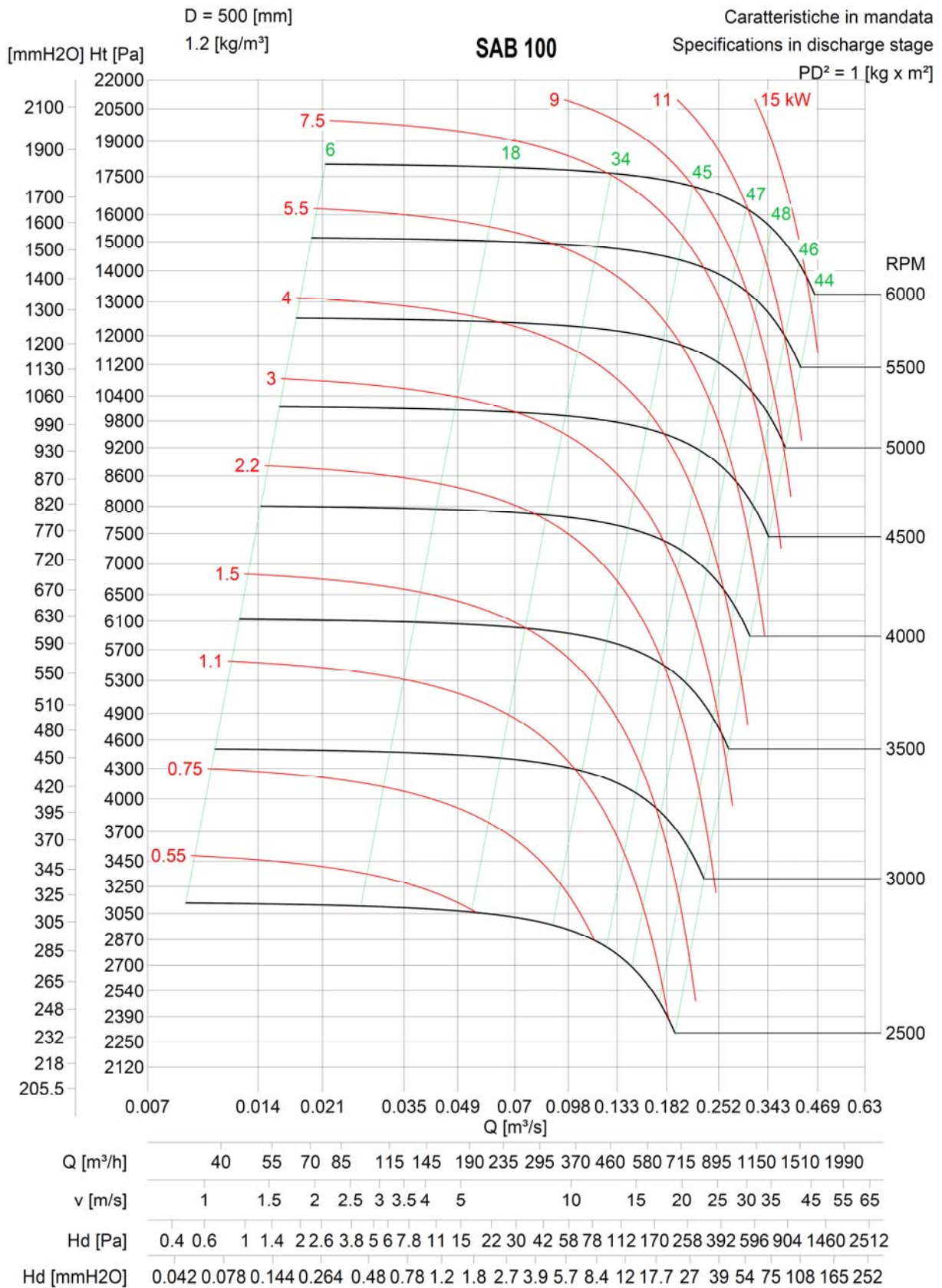
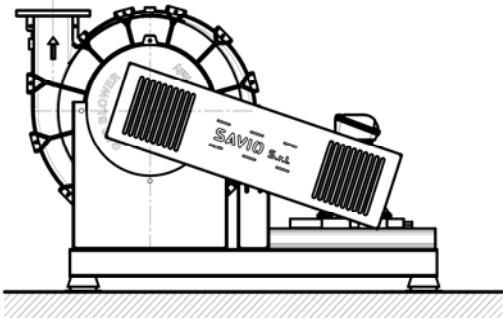


Tabella non impegnativa - The above data are unbinding

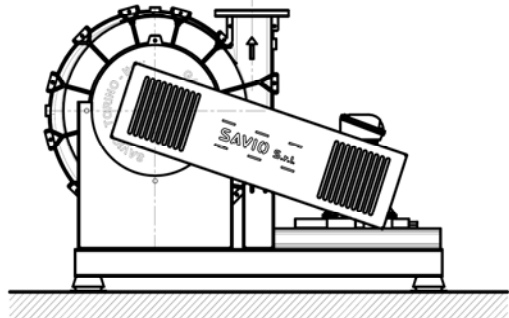


Curve caratteristiche riferite a condizioni operative con aria a temperatura di 15°C e pressione assoluta di 1013 hPa misurata alla bocca di aspirazione seguendo la normative UNI EN ISO 5801:2009. Tolleranza portata +/-5%, tolleranza potenza assorbita +/-3%. Rumorosità misurata ad una distanza di 1 metro secondo EN ISO 3744, tolleranza: +/-3 dB (A). Performance curves refer to air at 15°C temperature and 1013 hPa (abs) pressure measured at inlet port following to UNI EN ISO 5801:2009. Capacity tolerance +/-5%, absorbed power tolerance +/-3%. Noise measured at 1 meter distance following to EN ISO 3744; tolerance: +/-3 dB (A). Allowed tolerance for supplied voltage: +/-10%.

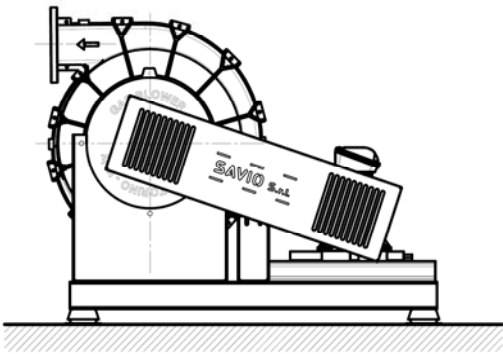
Basamento - Base DX - Rot. RD 0



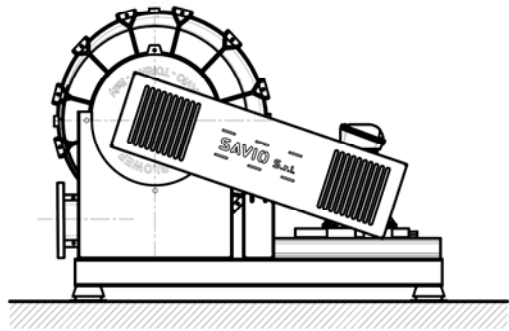
Basamento - Base DX - Rot. LG 0



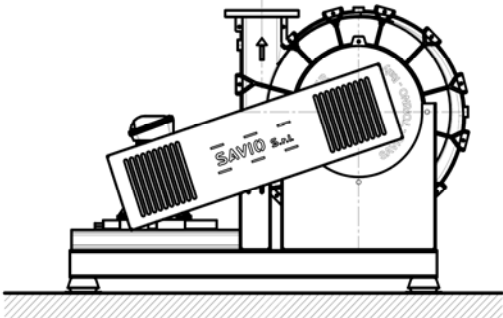
Basamento - Base DX - Rot. LG 90



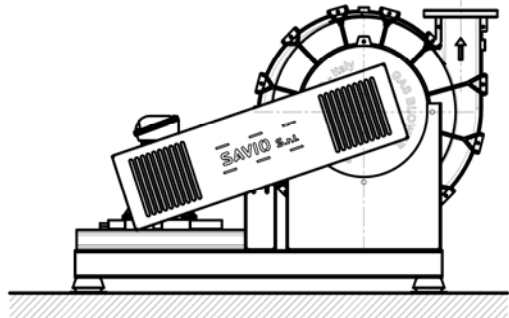
Basamento - Base DX - Rot. RD 270



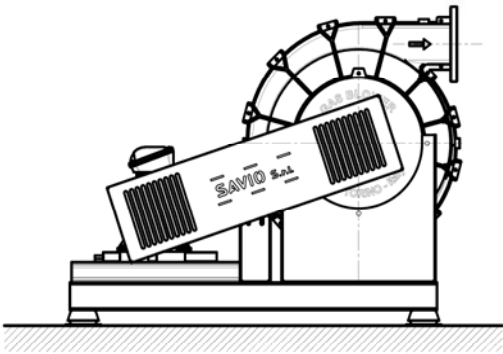
Basamento - Base SX - Rot. RD 0



Basamento - Base SX - Rot. LG 0



Basamento - Base SX - Rot. RD 90



Basamento - Base SX - Rot. LG 270

