

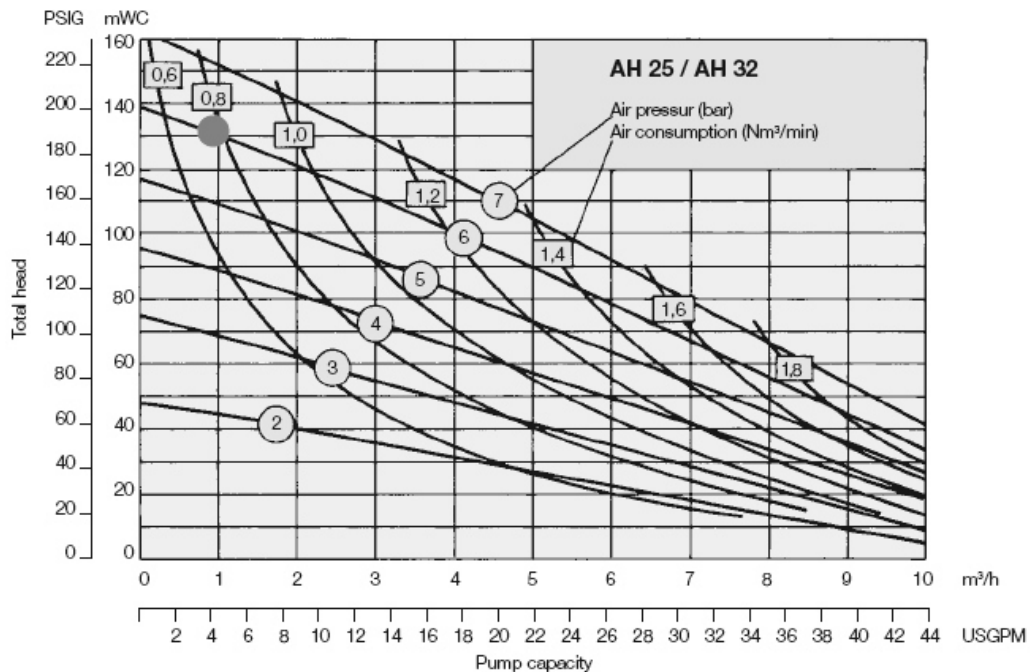
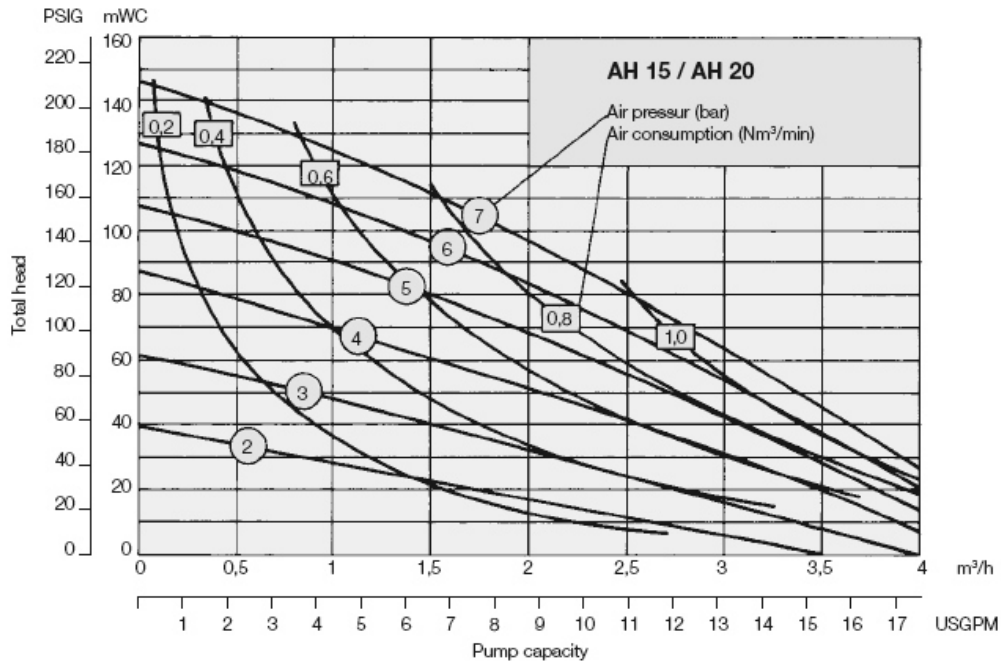
Technical data sheet

AH 20/32 S

Metal High-Pressure Diaphragm Pumps

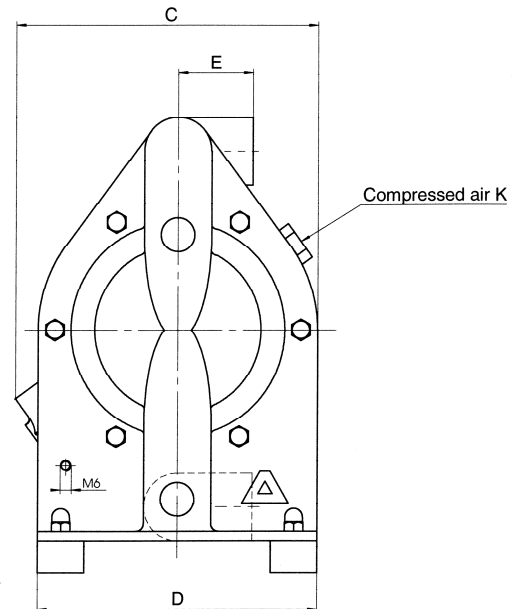
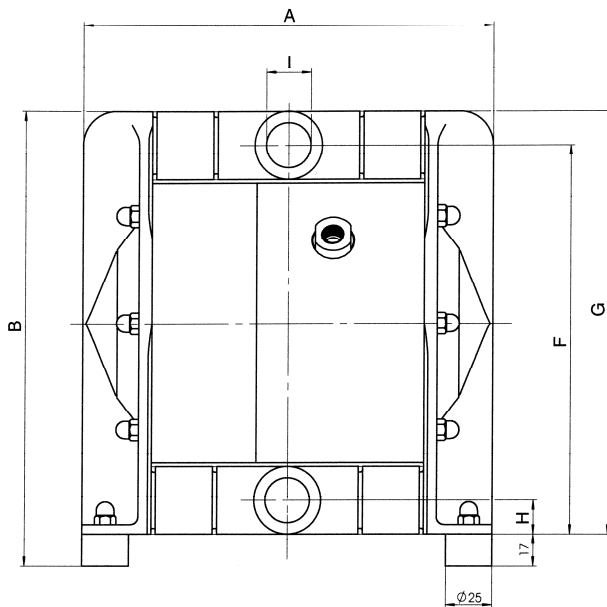
| Technical data | AH 20 S | AH 32 S |
|--|-----------|------------|
| Dimensions mm (in.): width | 220 (8.7) | 324 (12.8) |
| depth | 162 (6.4) | 229 (9.0) |
| height | 243 (9.6) | 327 (12.9) |
| Nominal port size (BSP/NPT) | 3/4" | 1-1/4" |
| Air connection (BSP/NPT) | 1/4" | 1/2" |
| Weight kg (lbs) | 8.5 (19) | 28 (62) |
| Max. particle size of solids mm (in.) | 9 (0.35) | 12 (0.47) |
| Suction lift, dry mWC (ft) | 2 (6.6) | 2 (6.6) |
| Suction lift, wet mWC (ft) | 9 (29.5) | 9 (29.5) |
| Max. driving and operating pressure bar (psig) | 7 (100) | 7 (100) |
| Max. operating temperature °C (°F) | 80 (176) | 80 (176) |
| Sound pressure level acc. to DIN 45635, part 24, depending on the operating data [dB (A)]: | | |
| driving pressure 3 bar | 68-77 | 69-77 |
| driving pressure 5 bar | 73-84 | 71-84 |
| driving pressure 7 bar | 74-85 | 73-85 |

Performance charts



Performance data are in accordance with DIN EN ISO 9906. The data refer to water (20°C), without using of a pulsation damper.

Dimensions



| <i>mm</i> | A | B | C | D | E | F | G | H | I | K |
|----------------|----------|----------|----------|----------|----------|----------|----------|----------|----------------|----------|
| AH 20 S | 220 | 243 | 162 | 150 | 40 | 208 | 226 | 18 | 3/4" BSP/NPT | 1/4" BSP |
| AH 32 S | 324 | 327 | 229 | 200 | 52 | 284 | 310 | 26 | 1-1/4" BSP/NPT | 1/2" BSP |

| <i>inch</i> | A | B | C | D | E | F | G | H | I | K |
|----------------|----------|----------|----------|----------|----------|----------|----------|----------|----------------|----------|
| AH 20 S | 8.66 | 9.57 | 6.38 | 5.91 | 1.57 | 8.19 | 8.9 | 0.71 | 3/4" BSP/NPT | 1/4" BSP |
| AH 32 S | 12.76 | 12.87 | 9.02 | 7.87 | 2.05 | 11.18 | 12.2 | 1.02 | 1-1/4" BSP/NPT | 1/2" BSP |