

DELTA UF3/ UFR3

RELIEF VALVES

To protect installations against excess pressure SPX FLOW is offering the APV UF3/UFR3 relief valve. The valve is designed in such a way that if the adjusted response pressure is exceeded, the valve opens.

CHARACTERISTICS

The set pressure of the APV UF3 spring loaded valve is adjusted, corrected or changed via the setting screw. This setting can and should be checked by means of a pressure gauge.

The modulating cone of the UFR3 valve provides for slower, smoother closing of the valve and the prevention of pressure hammers.

OPTIONS

- With seat lifter
- Without seat lifter
- High pressure version (on request)



FEATURES AND BENEFITS

- Ball shaped valve body with smooth passages, i.e. no sump and dome, providing for optimum cleaning.
- Seat lift actuator with feedback switches in the yoke.
- No stroke limitation by the seat lift actuator and, thus, full opening cross section available during cleaning.
- Profile seals with identification.
- Metallic stop of valve to control seal compression.
- ATEX compliant models
- 3-A approved designs

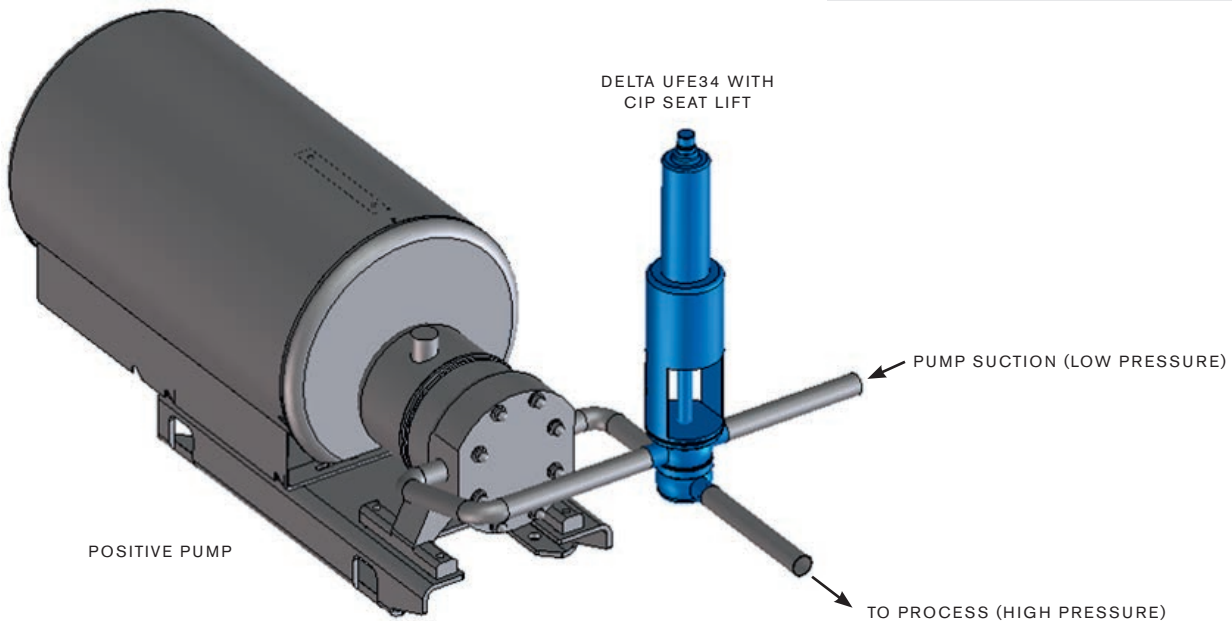
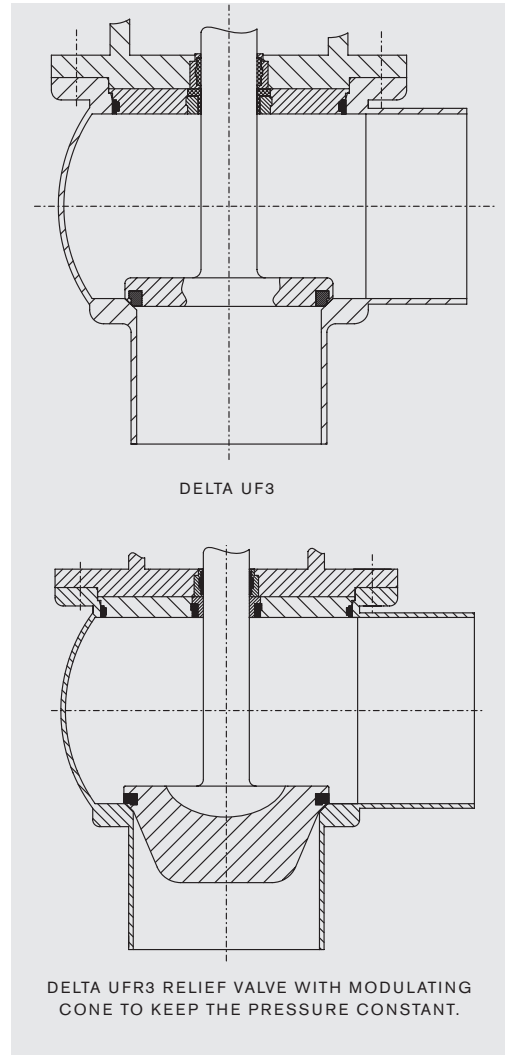
SIMPLE MAINTENANCE

The APV UF3/UFR3 is very easy to service. Four bolts have to be released, only and the valve insert can be lifted out. The valve has just a few gaskets and an assembly tool is available to ensure a quick and safe installation of the seat seal. The seat lift actuator is maintenance free.

TECHNICAL DATA

TECHNICAL DATA	
SIZES	DN 25 – DN 100 AND ISO 1" – 4"
PRODUCT WETTED PARTS	316L, 1.4404 (DIN EN 10088)
NON-PRODUCT WETTED PARTS	304, 1.4301 (DIN EN 10088)
SEAL MATERIALS	EPDM, HNBR, VMQ OR FPM ALL SEAL MATERIALS ARE FDA COMPLIANT
MAX. TEMPERATURE	EPDM, HNBR: 135 °C - SHORT-TERM: 140 °C VMQ, FPM: 135 °C - NOT SUITED FOR HOT WATER AND STEAM OPTION: FPM STEAM-RESISTANT
SURFACES	INTERNAL FINISH: GROUND RA < 1.6 MM EXTERNAL FINISH: GLASS BEADED, SATIN FINISH
PRESSURE RANGE	APV UF3 DN25/1" – DN80/3": 0-10 BAR DN 100/4": 0 – 8.3 BAR
	APV UFR3 DN25/1" – DN80/3": 0-10 BAR DN100/4": 0 – 7.7 BAR

Application for pump protection, e.g. UFE34: Upper passage = suction side, lower passage = pressure side – hardly any dead space between upper and lower housing parts.



SPXFLOW

SPX FLOW

Gottlieb-Daimler-Strasse 13, D-59439 Holzwickede, Germany

T: (+49) (0) 2301-9186-0, F: (+49) (0) 2301-9186-300

SPX FLOW reserves the right to incorporate our latest design and material changes without notice or obligation. Design features, materials of construction and dimensional data, as described in this bulletin, are provided for your information only and should not be relied upon unless confirmed in writing. Please contact your local sales representative for product availability in your region. For more information visit www.spxflow.com. The green ">" is a trademark of SPX FLOW, Inc.

APV-8016-GB VERSION 03/2017 ISSUED 05/2017

COPYRIGHT © 2017 SPX FLOW, Inc.