



Manufacturer: -  
**BARTON FIRTOP ENGINEERING COMPANY LIMITED**  
 Silverwoods Way,  
 Kidderminster. Worcestershire. DY11 7DT.  
 UNITED KINGDOM  
 Telephone: (44) 01527 831644  
 Fax: (44) 01527 832638  
 E-mail: sales@bartonfirtop.co.uk

Data Sheet Number:  
**SDD/MQR/R300/STL**  
 Revision: **09**

## R/F - 300LB RATING QUICK-RELEASE MONO-IN-LINE STRAINER

**Sizes:** 1" to 10" Nominal Bore

**Pressure:** ASME Class 300LB

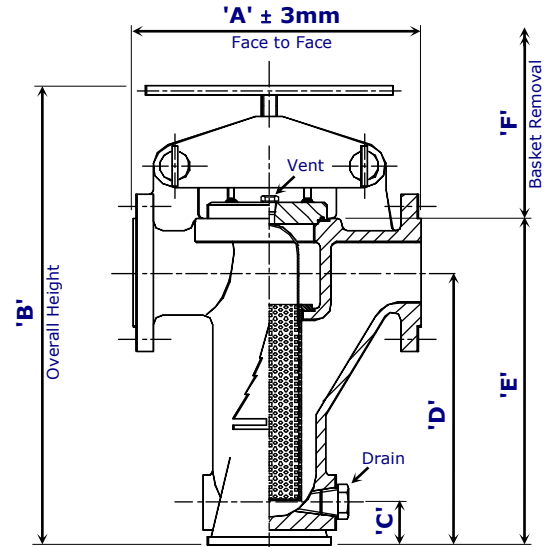
**Features:**

- Integrally Cast Housing.
- Quick-Release Closure.
- Red oxide Finish as standard (c/s).
- 3mm Perf. Basket as Standard.
- Integral feet on 6" and over.

**Options:**

- Special Gasket, Special Basket.
- D.P. Tappings/Gauge.
- Magnetic Basket Insert.
- Flanged Drains / Drain Valves.
- Special Finish / Linings.

**Standards:** PED 2014/68/EU.  
 ASME B16.5 Flange Dimensions.  
 EN 10204 / NACE Certification.  
 Generally i.a.w. ASME VIII, Div. 1



All data is subject to confirmation at the time of order. Our policy is one of continual improvement and we reserve the right to amend details without prior notice.

Size		Dimensions						Basket Area (cm <sup>2</sup> )	Vent (NPT)	Drain (NPT)	Weight (KG)
		'A' Face to Face	'B' Overall Height	'C' Base to Drain	'D' Base to Centreline	'E' Base to Cover	'F' Basket Removal				
Inch	mm										
1"	25	232.0	345.0	28.0	190.0	225.0	200.0	241.0	¼"	¾"	14.5
1½"	40	245.0	420.0	35.0	254.0	297.0	275.0	375.0	¼"	¾"	22.0
2"	50	321.0	490.0	38.0	314.0	362.0	340.0	488.0	¼"	¾"	27.5
3"	80	375.0	570.0	40.0	342.0	411.0	375.0	652.0	⅜"	¾"	51.0
4"	100	455.0	715.0	47.0	426.0	508.0	450.0	1088.0	⅜"	1"	92.0
6"	150	620.0	1010.0	95.0	619.0	749.0	630.0	2151.0	½"	1½"	230.0
8"	200	740.0	1320.0	109.5	787.0	952.0	800.0	3973.0	½"	1½"	450.0
10"	250	890.0	1495.0	120.0	908.0	1103.0	940.0	5304.0	½"	1½"	680.0

Item	Materials of Construction	
	Carbon Steel	Stainless Steel
Strainer Body (Cast)	ASME SA216 WCB	ASME SA351 CF8M
*Strainer Cover	ASME SA516 Gr60 / SA216 WCB	ASME SA240 316 / SA351 CF8M
Strainer Basket	St.St. 316 (3mm Perf. as Standard / to Customer Specification)	
Cover Gasket (O-ring)	Nitrile as Standard / to Customer Specification.	
Vent Plug	ASME SA105N	ASME SA182 F316
Drain Plug	ASME SA105N	ASME SA182 F316
Strongback	ASME SA216 WCB	ASME SA351 CF8M
Screw Handle	ASME SA193 B7M - Zinc Plated / St.St. 316 Handle	
Quick Release Pin	BS 970 080 M40 - Zinc Plated	
Linch pin	Carbon Steel - Zinc Plated	

\* The Strainer cover may be furnished from Plate or Casting depending upon size / availability.

### Model Number Derivation: -

The model number can be derived as follows: - **A\*\*\*/R30/\*\*\*/MQR**

Denotes the size i.e. add '025' for a 1"    '216' denotes Carbon Steel  
 '351' denotes Stainless Steel

For more information, visit our Web Site: [www.bartonfirtop.co.uk](http://www.bartonfirtop.co.uk)