

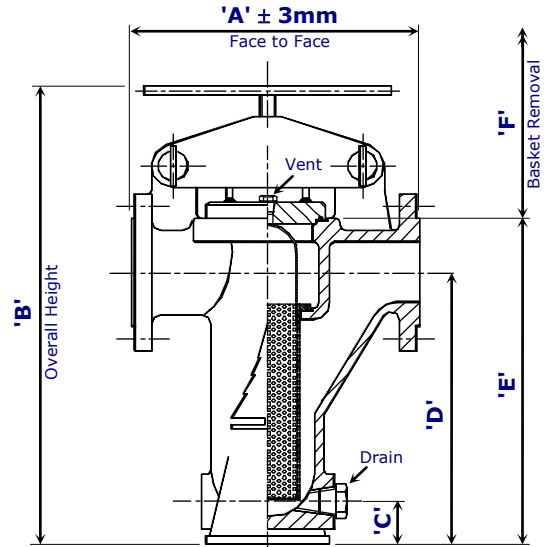


Manufacturer: -  
**BARTON FIRTOP ENGINEERING COMPANY LIMITED**  
 Stoke Heath Works, Hanbury Road.  
 Bromsgrove. Worcestershire. B60 4LT.  
 ENGLAND  
 Telephone: (44) 01527 831644  
 Fax: (44) 01527 832638  
 E-mail: sales@bartonfirtop.co.uk

Data Sheet Number:  
**SDD/MQR/RJ600/STL**  
 Revision: **06**

## RTJ - 600LB RATING QUICK-RELEASE MONO-IN-LINE STRAINER

- Sizes:** 1" to 6" Nominal Bore
- Pressure:** ASME Class 600LB (Full Rating)
- Features:**
- Integrally Cast Housing.
  - Quick-Release Closure.
  - Safety Interlock Closure.
  - Red oxide Finish as standard (c/s).
  - 3mm Perf. Basket OR 40 Mesh Basket as standard.
  - Integral feet on 6"NB.
- Options:**
- Special Gasket, Special Basket.
  - D.P. Tappings/Gauge.
  - Magnetic Basket Insert.
  - Flanged Drains / Drain Valves.
  - Special Finish / Linings.
  - Screwed & Plugged NPT Vent.
  - Bolted Closure.



All data is subject to confirmation at the time of order. Our policy is one of continual improvement and we reserve the right to amend details without prior notice.

**Standards:** PED 2014/68/EU.  
 ASME B16.5 Flange Dimensions.  
 EN 10204 / NACE Certification.

Size		Dimensions						Basket Area (cm <sup>2</sup> )	Vent		Drain (NPT)	Weight Estimate (KG)
		'A' Face to Face	'B' Overall Height	'C' Base to Drain	'D' Base to Centreline	'E' Base to Cover	'F' Basket Removal		NPT (Non Std)	BSPP (Safety Closure)		
Inch	mm											
1"	25	265.0	365.0	30.0	192.0	242.0	225.0	233.0	¼"	1/8"	½"	22.0
1½"	40	305.0	445.0	30.0	255.0	316.0	290.0	368.0	¼"	1/8"	½"	32.0
2"	50	373.0	515.0	48.0	320.0	386.0	360.0	478.0	¼"	1/8"	½"	44.0
3"	80	443.0	610.0	66.0	357.0	442.0	390.0	641.0	¼"	1/8"	½"	74.0
4"	100	543.0	740.0	66.0	442.0	542.0	470.0	1061.0	3/8"	¼"	½"	138.0
6"	150	803.0	1065.0	85.0	650.0	796.0	650.0	2120.0	½"	½"	1"	338.0

Materials of Construction		
Item	L.T.C.S.	Stainless Steel
Strainer Body (Cast)	ASME SA352 LCB/LCC*	ASME SA351 CF8M
Strainer Cover	ASME SA352 LCB/LCC*	ASME SA351 CF8M
Strainer Basket	St.St. 316 (3mm Perf. or 40 Mesh as Standard / to Customer Specification)	
Cover Gasket (O-Ring)	Viton as Standard / to Customer Specification.	
Anti-extrusion Ring	PTFE - Endless Solid Ring type.	
Vent Plug	ASME SA350 LF2	ASME SA182 F316
Drain Plug	ASME SA350 LF2	ASME SA182 F316
Strongback	ASME SA352 LCB/LCC*	ASME SA351 CF8M
Screw Handle	ASME SA193 B7M - Zinc Plated / St.St. 316 Handle	
Quick Release Pin	ASME SA193 B7 - Zinc Plated	
Linch pin	Carbon Steel - Zinc Plated	

\* Dual certified material as per ASME VIII - Division 1, UG23(a).

**Model Number Derivation: -**

The model number can be derived as follows: - **A\*\*\* / RJ60 / \*\*\* / MQR**

Denotes the size i.e. add '025' for a 1"  '352' denotes L.T.C.S.  
 '351' denotes Stainless Steel

*For more information, visit our Web Site: [www.bartonfirtop.co.uk](http://www.bartonfirtop.co.uk)*