

M1

FLEXFLO® Peristaltic Dosing Pump



Features

- > Tube Failure Detection senses tube rupture. No false triggering.
- > Heavy duty display shield protects pump controls.
- > Remote Start/Stop, which is one non-powered dry contact closure.
- > Compatible with Blue-White Industries' Flow Verification Sensor.
- > Relay outputs include a single 250V/3A and a single solid state.
- > SCADA Inputs include: 4-20mA.

Video link: 



NEMA 4X



Highlights

Flow Range

.0001 – 5.60 GPH
.0004 – 21.2 LPH

Pressures

100 PSI
(6.89 bar)

Turndown ratio

10,000 : 1

Exclusive

Enhanced Tube Failure Detection
(TFD+) System

Motor

Brushless
DC

Warranty

3 Years

Control Methods

Control Methods	Manual Control	4-20mA Input	Remote Start/Stop	Alarm Output	FVS	Motor Status Output
Manual	•		•	•	•	•
Remote		•	•	•	•	•



Engineering Specifications

M1

Maximum Working Pressure (Excluding pump tubes)	100 PSI (6.89 bar)
Maximum Fluid Temperature	185 °F (85 °C)
Maximum Viscosity	5,000 centipoise
Maximum Suction Lift	30 ft. of water at sea level (14.7 atm psi)
Ambient Operating Temperature	14 °F to 125 °F (-10 °C to 52 °C)
Ambient Storage Temperature	-40 °F to 158 °F (-40 °C to 70 °C)
Operating Voltage	115V60Hz 1 PH (0.6A max.)
	220V50Hz 1 PH (0.3A max.)
	230V60Hz 1 PH (0.3A max.)
	230V50Hz 1 PH (0.3A max.)
	240V50Hz 1 PH (0.3A max.)
Power Cord Options	115V60Hz = NEMA 5/15 (USA)
	230V60Hz = NEMA 6/15 (USA)
	220V50Hz = CEE 7/VII (EU)
	240V50Hz = AS 3112 (Australia/New Zealand)
	230V50Hz = BS 1363/A (UK)
Motor	Brushless DC, 50W.
Duty Cycle	Continuous
Motor Speed Adjustment Range	10,000:1 (0.01% - 100%) Max rpm = 65rpm
Maximum Overall Dimensions	7.25" W x 9" H x 10" D (18.5 W x 22.9 H x 25.2 D cm)
Product Weight	6 lb. (2.7 Kg)
Approximate Shipping Weight	13 lb. (5.9 Kg)
Approximate Shipping Dimensions	10.5" W x 13.75" H x 11" D (26.7 W x 35 H x 28 D cm)
Enclosure	NEMA 4X (IP66), Valox® (PBT) Thermoplastic & PA12
RoHS Compliant	Yes
Standards	NSF/ANSI 61, cETLus, CE

Materials of Construction

M1

Non-wetted Components:

Enclosure:	Valox® (PBT) & PA12 thermoplastic
Pump Head:	Valox® (PBT) thermoplastic
Pump Head Cover:	Polycarbonate for added strength and chemical resistance. Permanently lubricated sealed motor shaft support ball bearing.
Cover Screws:	Stainless steel, polypropylene cap
Roller Assembly:	Rotor: Valox® (PBT) Rollers: Nylon Roller Bearings: Bronze
TFD+ System Sensor:	Polysulfone (PES)
Power Cord:	3 Conductor, SJTW-A water-resistant
Tube Installation Tool:	GF Nylon
Mounting Brackets and Hardware:	316 Stainless steel screws, GF Nylon bracket

Wetted Components:

Pump Tube Assembly:	Tubing : Flex-A-Prene®, Flex-A-Thane®, Flex-A-Chem® Adapter Fittings: PVDF
----------------------------	---

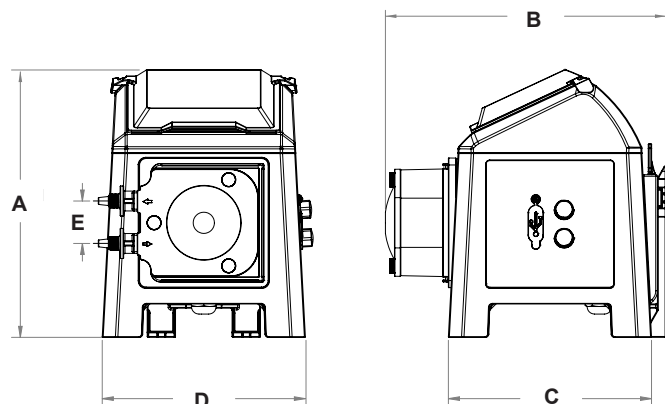
Output Specifications

Tube Model	Feed Rate		Max Speed	Max Pressure	Max Temperature
	GPH	LPH	RPM	PSI(bar)	°F(°C)
A1-1*	.0001 - 1.09	.0004 - 4.13	65	65 (4.50)	130 (54)
A1-3*	.0005 - 5.60	.0021 - 21.2	65	50 (3.45)	130 (54)
A1-6*	.0001 - 1.35	.0005 - 5.14	65	100 (6.89)	185 (85)
A1-7*	.0004 - 4.17	.0015 - 15.8	65	50 (3.45)	185 (85)
A1-8*	.0003 - 3.09	.0011 - 11.7	65	50 (3.45)	130 (54)

NOTE: Data pertains to both "T" and "M" connection types

Dimensions

Dim	Inch	cm	Dim	Inch	cm
A	9	22.9	D	7.25	18.5
B	10	25.2	E	2.5	6.4
C	7.75	19.6			



Model Number Matrix

M1

FLEXFLO® Model Number

M1	FLEXFLO® Peristaltic Metering Pump				
Power Cord (Operating voltage requirement 96VAC to 264VAC)					
4	115V 50/60Hz, power cord NEMA 5/15 plug (US)				
5	230V 50/60Hz, power cord NEMA 6/15 plug (US)				
6	220V 50/60Hz, power cord CEE 7/V11 plug (EU)				
8	240V 50/60Hz, power cord AS 3112 plug (Australia/New Zealand)				
9	230V 50/60Hz, power cord BS 1363/A plug (United Kingdom)				
Pump Tube Size and Material					
1	1/4" OD Flex-A-Thane®				
3	7/16" OD Flex-A-Thane®				
6	3/8" OD Flex-A-Prene®				
7	7/16" OD Flex-A-Prene®				
8	7/16" OD Flex-A-Chem®				
Inlet/Outlet Connection Size, Connection Type					
T	3/8" OD x 1/4" ID Tube Compression Fitting				
M	1/2" Male NPT Fitting				
M1	4	-	1	T	Sample Model Number

Accessories



*KIT-M12-3 THREE M12 CABLES

NOTE: Accessories sold separately.

P.N. 85000-156 M1 REV 0.9 20210423

M1 is sold and serviced exclusively by highly skilled, factory authorized technicians.