

SAMPLING ASSEMBLIES

When a single drop of fluid can make the difference in someone's health, you need smart fluid handling solutions that get the job done safely. Manufacturers worldwide rely on connector products that improve yield, cut costs and reduce time to market.

PART NUMBERS:

- ◆ F-CTA-PP-15D
- ◆ F-CTA-PP-15
- ◆ F-CTA-PS-15D
- ◆ F-CTA-PS-15
- ◆ F-CTA-PP-15D-S
- ◆ F-CTA-PP-15-S
- ◆ F-CTA-PS-15D-S
- ◆ F-CTA-PS-15-S
- ◆ F-CTA-PP-50D
- ◆ F-CTA-PP-50
- ◆ F-CTA-PP-50D-S
- ◆ F-CTA-PP-50-S
- ◆ F-CTM-PS-15-S
- ◆ F-CTM-PP-15-S
- ◆ F-CTM-PP-50-S
- ◆ F-BSM-50ML-S
- ◆ F-BSM-100ML-S
- ◆ F-BSM-250ML-S
- ◆ F-BSM-500ML-S

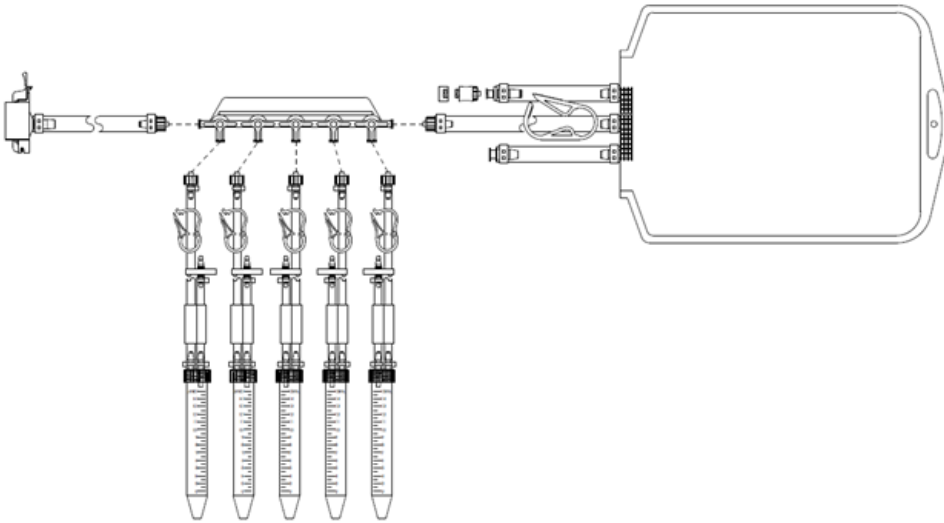
DESCRIPTION:

FlowLinX sampling assemblies are ideal for aseptic fluid sampling applications used in cell culture, fermentation, chromatography, sterile bulk and transfer. The closed system design allows for easy implementation to monitor critical process parameters. Made from USP <88> Class VI materials, the sampling assemblies are available in individual or multi-sampling units with tubes or bags. Choose from standard configurations or customize to your application requirements.

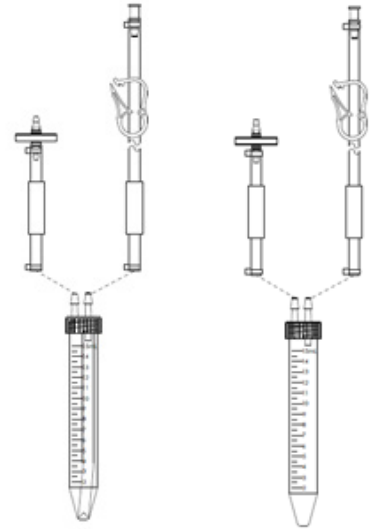


- ☑ Manufactured in an ISO 7 Cleanroom
- 🛡 ISO 9001:2015 Certified Facility
- ❤ USP <88> Class VI & Animal Component Free
- 🔄 Polypropylene Tubes, Polystyrene Tubes or ULDPE Bags
- 🔗 Aseptically connect using AseptiQuik® or TPE tube welder
- 🔗 Aseptically disconnect using pinch pipe or TPE tube sealer
- 📦 Double bagged and ready to use
- 🌸 Available with sterility assurance level 10⁻⁶

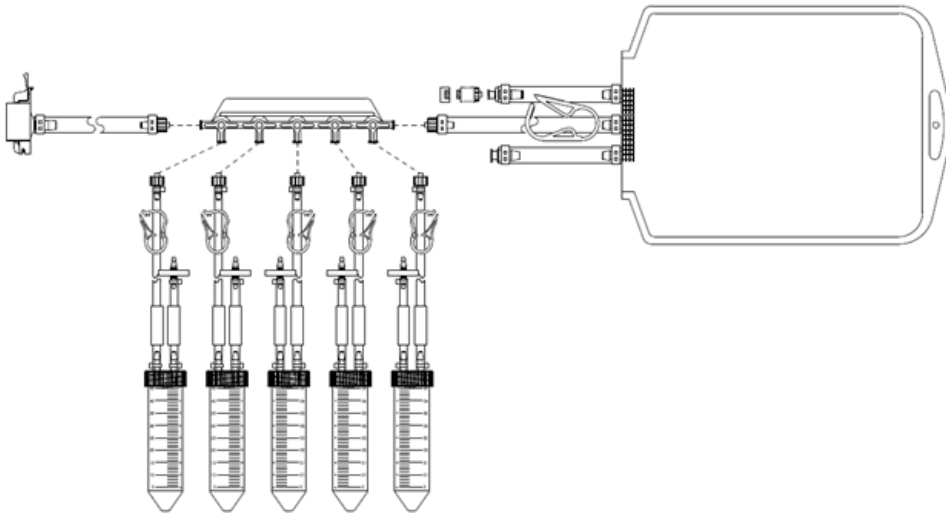
SAMPLING ASSEMBLIES



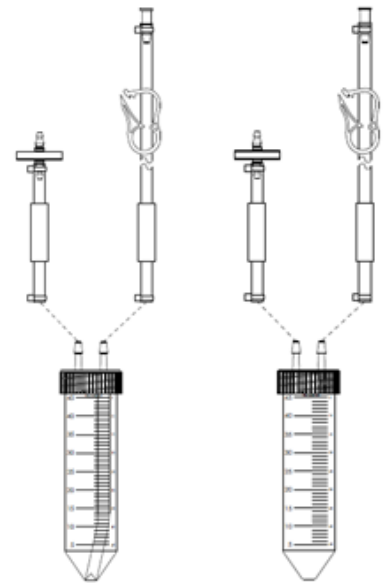
15mL Sampling Manifold



15mL Conical Tube

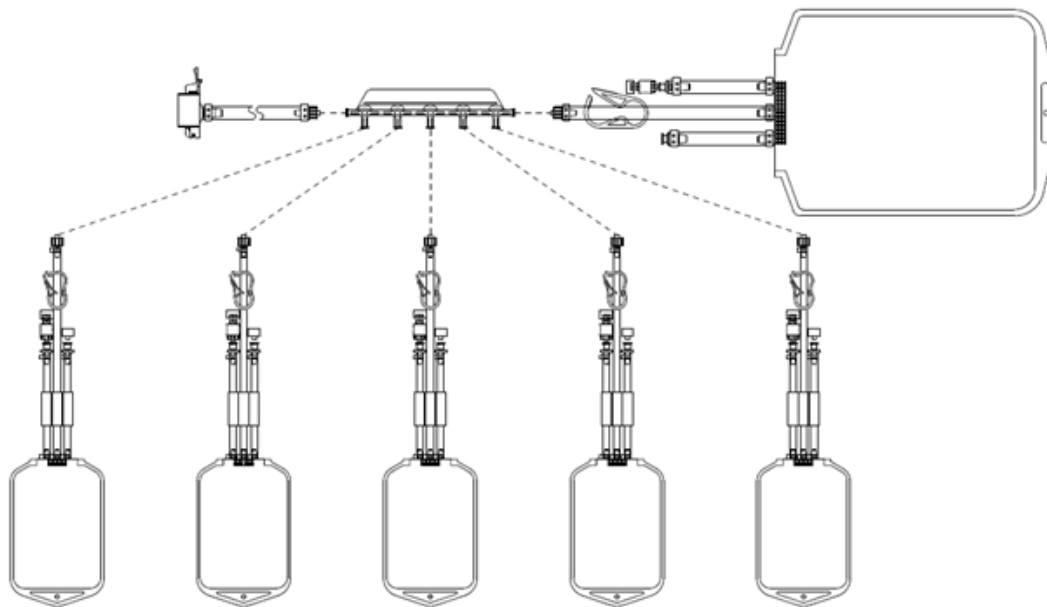


50mL Sampling Manifold



50mL Conical Tube

SAMPLING ASSEMBLIES



Bag Manifold (5 x 50mL, 5 x 100mL, 5 x 250mL, 5 x 500mL)

PART NUMBER	SAMPLE VOLUME	CONTAINER MATERIAL	CONTAINER TYPE	DIP TUBE	STERILITY CLAIM	QTY/PACK
F-CTA-PP-15D	15mL	Polypropylene	Tube	Yes	Non-Sterile	5
F-CTA-PP-15	15mL	Polypropylene	Tube	No	Non-Sterile	5
F-CTA-PS-15D	15mL	Polystyrene	Tube	Yes	Non-Sterile	5
F-CTA-PS-15	15mL	Polystyrene	Tube	No	Non-Sterile	5
F-CTA-PP-15D-S	15mL	Polypropylene	Tube	Yes	Sterile	5
F-CTA-PP-15-S	15mL	Polypropylene	Tube	No	Sterile	5
F-CTA-PS-15D-S	15mL	Polystyrene	Tube	Yes	Sterile	5
F-CTA-PS-15-S	15mL	Polystyrene	Tube	No	Sterile	5
F-CTA-PP-50D	50mL	Polypropylene	Tube	Yes	Non-Sterile	5
F-CTA-PP-50	50mL	Polypropylene	Tube	No	Non-Sterile	5
F-CTA-PP-50D-S	50mL	Polypropylene	Tube	Yes	Sterile	5
F-CTA-PP-50-S	50mL	Polypropylene	Tube	No	Sterile	5
F-CTM-PS-15-S	5 x 15mL	Polystyrene	Tube	No	Sterile	1
F-CTM-PP-15-S	5 x 15mL	Polypropylene	Tube	No	Sterile	1
F-CTM-PP-50-S	5 x 50mL	Polypropylene	Tube	No	Sterile	1
F-BSM-50ML-S	5 x 50mL	ULDPE	Bag	No	Sterile	1
F-BSM-100ML-S	5 x 100mL	ULDPE	Bag	No	Sterile	1
F-BSM-250ML-S	5 x 250mL	ULDPE	Bag	No	Sterile	1
F-BSM-500ML-S	5 x 500mL	ULDPE	Bag	No	Sterile	1