



J4M 25

DATASHEET

J4M 25 - GENERAL CHARACTERISTICS



Technical Data	
Operation time unload	9,3 Sec / turn
Minimum operational torque	10 Nm / 88,51 lb/in
Maximum operational torque	30 Nm / 265,52 lb/in
Duty rating	75%
Maximum number turns	13.5
Confirmations	Standard_Analogue: 2 Relays 24VDC 1Amp. (1 Open and 1 Close) / Optional: Digitals (1 Open and 1 Close)
Automatic heater	3,5 W
Big Plug	EN 175301-803 FORM A
Small Plug	DIN43650/C
Interface	App and PC Program
Protection IEC 60529 rating	IP67
Temperature	-20°C +70°C / -4°F +158°F
ISO 5210 Plate	Standard: F05/F07
DIN 3337 Female output drive	Standard: *17 Optional: *11, *14 mm
Weight	3,8 kg

Actuator with Bluetooth Configurations:

- 1) On-Off
- 2) Digital positioner (input / output) 4-20mA, 0-20mA, 0-10V or 1-10V

Materials	Standard	Optional
Body	Anticorrosive Polyamide, Grey colour	Polypropilene V0, Black colour
Cover	Anticorrosive Polyamide, Red colour	Polypropilene V0, Natural colour
Output drive	Zamak, Zinc plated	Zamak, TEFLON coated
Flange	Aluminium and Cataphoresis	Aluminium and TEFLON coated
Main external shaft	Stainless Steel	-
External screws	Stainless Steel	-
Gears	Steel and Polyamide	-
Visual position indicator	Polyamide	-
Dome	Polycarbonate	-

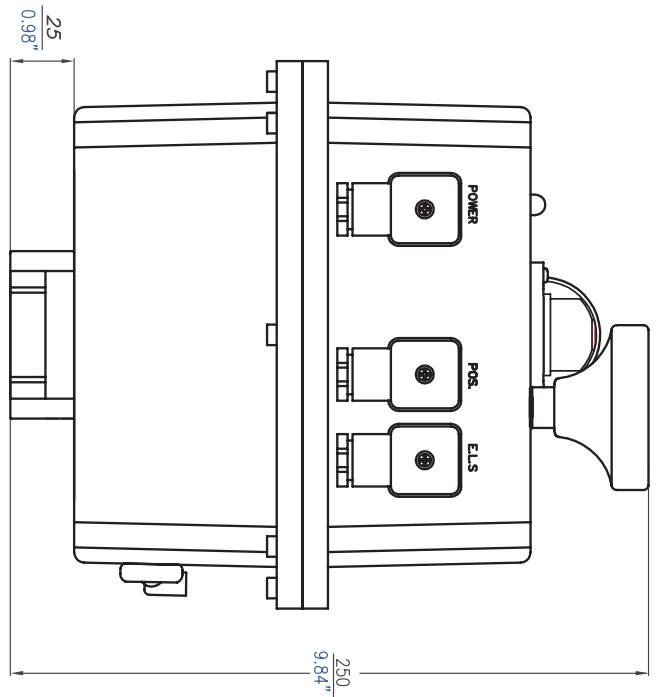
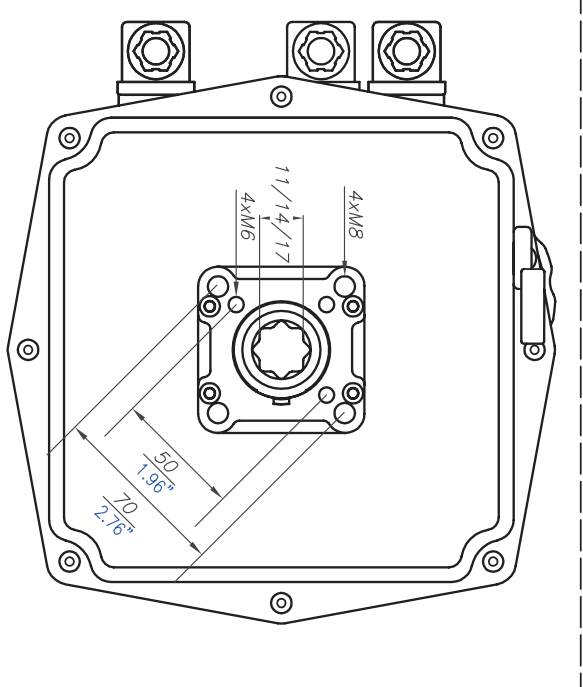
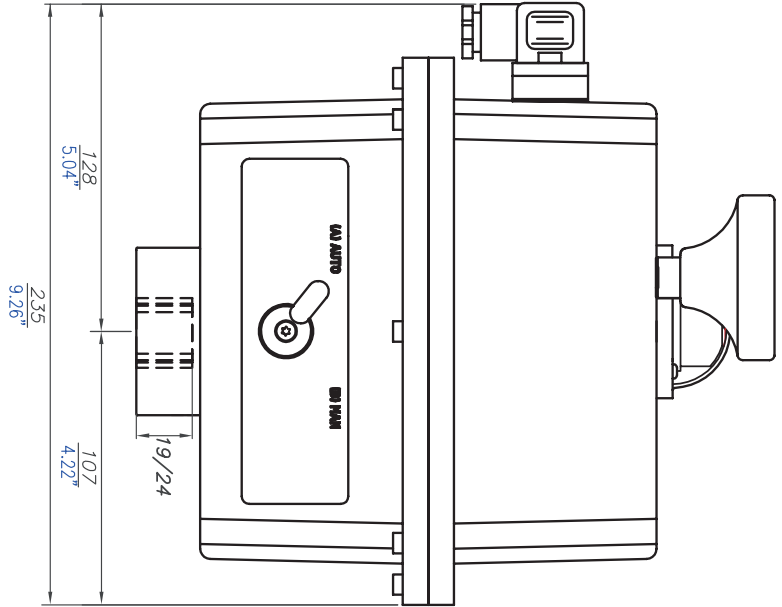
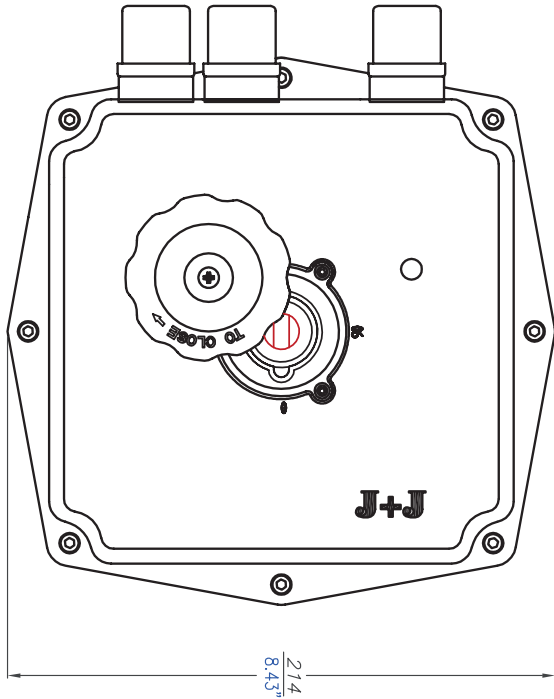
Manufacturer option



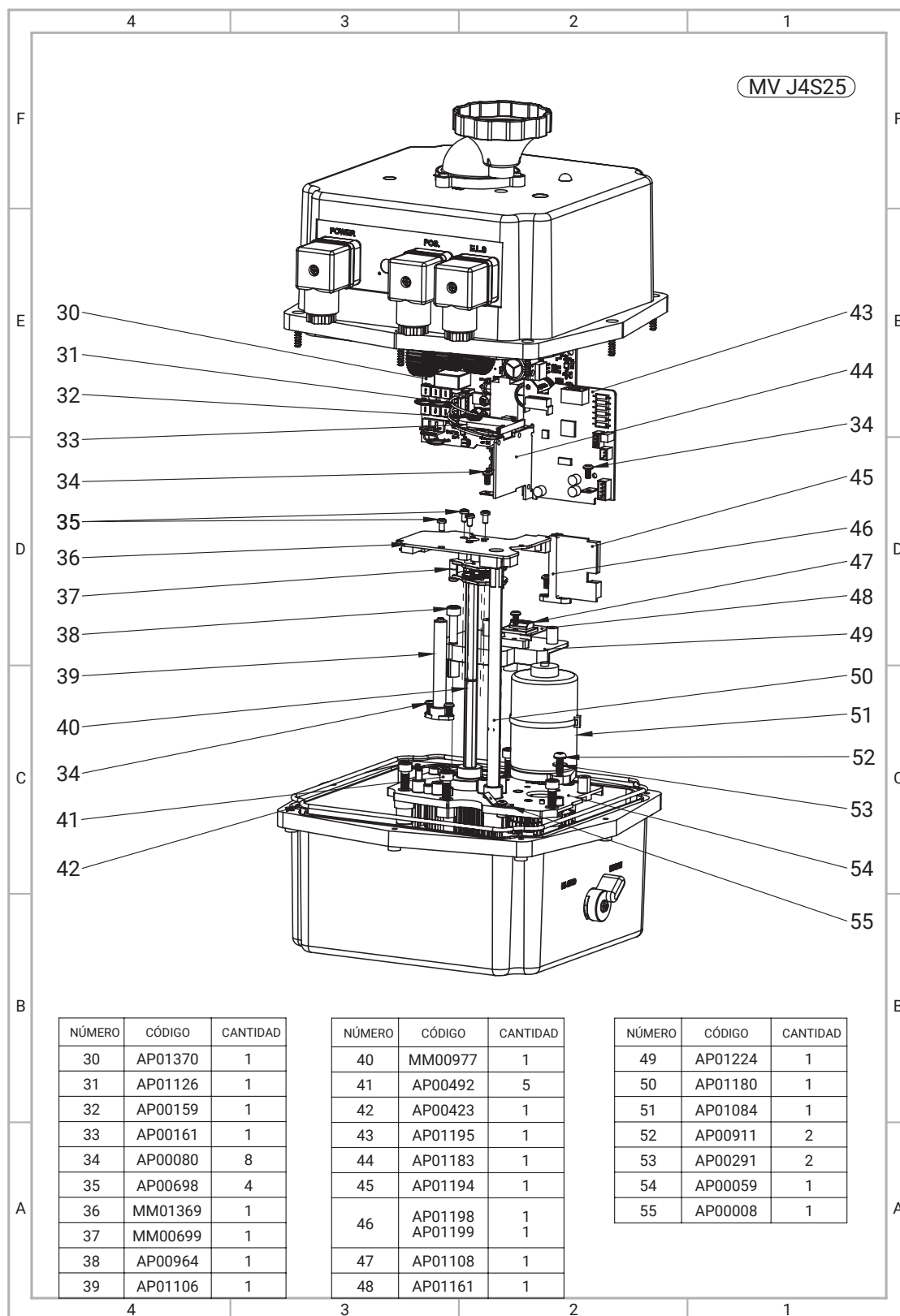
Note: Technical data are the same despite the different casings.

Electronic Data	
Electronic Torque Limiter function	
Electric motor	24VDC Brushless motor
Insulation	Class B
(IEC 60034) Service	S4
Voltage VDC/VAC 50/60Hz 0%/5%	
S25	24-240 VDC/VAC
B25	12 VDC/VAC ONLY

J4M 25 SIZES



EXPOLDED VIEW

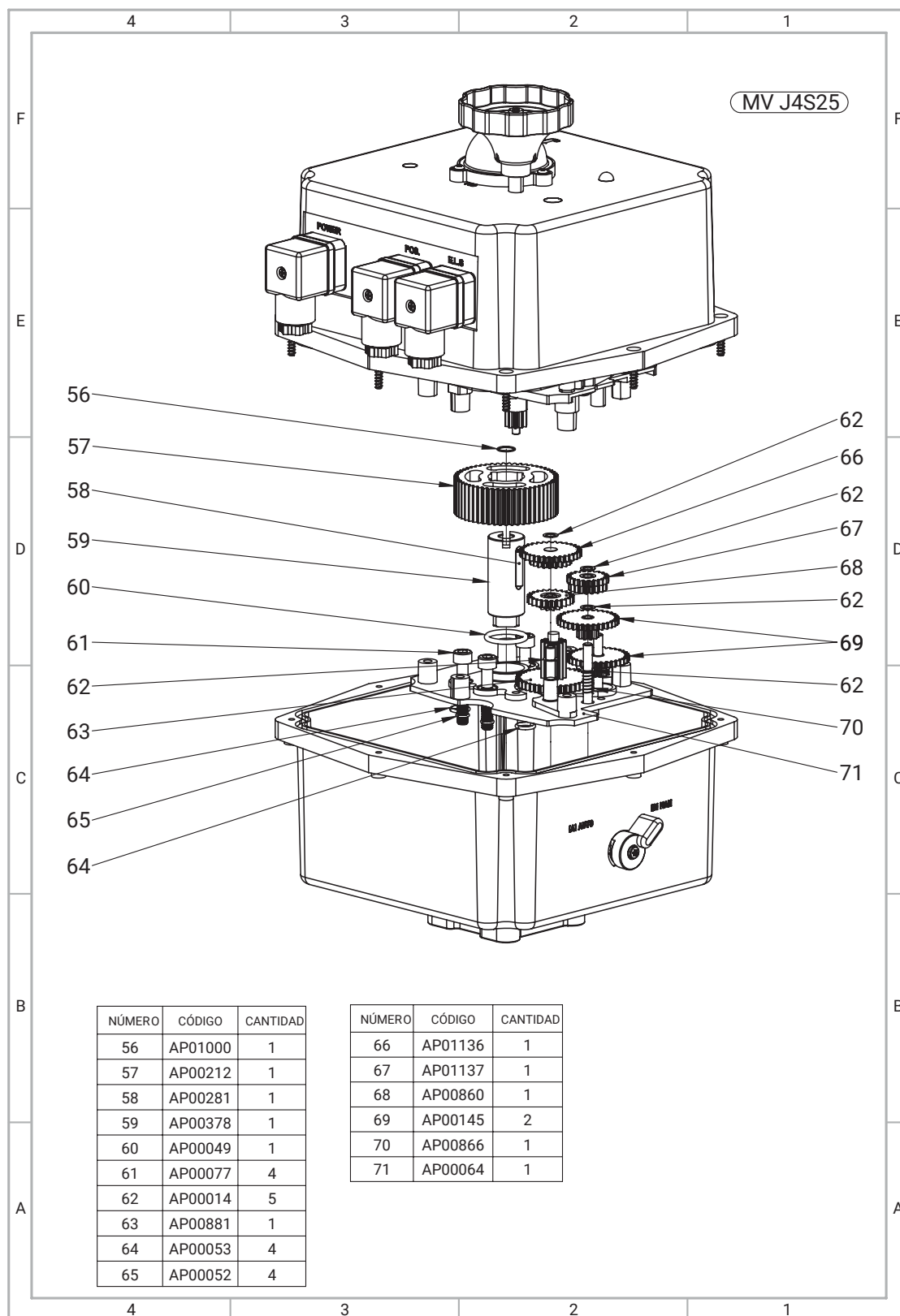


NÚMERO	CÓDIGO	CANTIDAD
30	AP01370	1
31	AP01126	1
32	AP00159	1
33	AP00161	1
34	AP00080	8
35	AP00698	4
36	MM01369	1
37	MM00699	1
38	AP00964	1
39	AP01106	1

NÚMERO	CÓDIGO	CANTIDAD
40	MM00977	1
41	AP00492	5
42	AP00423	1
43	AP01195	1
44	AP01183	1
45	AP01194	1
46	AP01198	1
	AP01199	1
47	AP01108	1
48	AP01161	1

NÚMERO	CÓDIGO	CANTIDAD
49	AP01224	1
50	AP01180	1
51	AP01084	1
52	AP00911	2
53	AP00291	2
54	AP00059	1
55	AP00008	1

EXPLODED VIEW



EXPLODED VIEW

