

Safety valves made of stainless steel, angle-type with threaded connections

## → Series 420



### ■ MATERIAL



### ■ SPECIFICATION



1/4" – 3/8"



– 40°C to + 260°C  
depending on version



0,5 – 50 bar  
depending on version

### ■ SUITABLE FOR

Liquids	neutral and non-neutral	
Air, gases and vapours	neutral and non-neutral	
Steam		

### ■ EXAMPLES OF USE

For the protection of:

- pressure tanks and -systems for neutral / non-neutral vapours, gases and liquids

- steam boilers and steam plants

Please observe plant-specific regulations and use of appropriate valve version and sealing material.

- chemical plants, biogas plants
- process technology
- desalination plants
- process equipment construction and medical technology
- shipbuilding industry and marine equipment
- secondary areas in the food-, beverage-, pharmaceutical- and cosmetics-industries
- offshore-applications
- general applications with screwed pipe connections

**Safety valves are set and sealed at the factory.**

### ■ APPROVALS

TÜV-Type test approval 2069	D/G, F, F/K/S <sup>1</sup>
EU type examination	S/G, L, F/K/S <sup>1</sup>
TSG ZF001-2006	G, F (L)
TR ZU 032/2013 - TR ZU 010/2011	D/G (S/G), F (L), F/K/S <sup>1</sup>
<b>Requirements</b>	
AD 2000 Data sheet A2	DIN EN ISO 4126-1
TRD 421	DGR 2014/68/EU
TRB 801 No. 22 and No. 23 <sup>1</sup>	UK PESR 2016 No. 1105

### Classification society

DNV	DNV
Lloyd's Register EMEA	LR EMEA
American Bureau of Shipping	ABS
Bureau Veritas	BV
Russian Maritime Register of Shipping	RS
Registro Italiano Navale	RINA

### ■ MATERIALS

Component	Material	DIN EN	ASME
Inlet body	Stainless steel	1.4404	316 L
Outlet body	Stainless steel	1.4404	316 L
Internal parts	Stainless steel	1.4404	316 L
Spring	Stainless steel	1.4310	302
Metallic bellows (optional)	Stainless steel	1.4571	316 Ti
PTFE-bellows (optional)	PTFE	PTFE	PTFE

<sup>1</sup>only for versions with bellows

<b>t</b>	gastight version of spring housing	for neutral and non-neutral media without counter pressure. The environment is protected from being affected by the medium. 0,5 to 1,5 bar gastight version (without bellows).
<b>tb</b>	gastight version with bellows	for neutral and non-neutral media. spring and moving parts as the environment are protected from being affected by the medium. Version of bellows depending on set pressure: <b>DN8:</b> 1,6 to 12 bar PTFE bellows; 12,1 to 50 bar stainless steel bellows <b>DN10:</b> 1,6 to 12 bar PTFE bellows; 12,1 to 50 bar stainless steel bellows

## ■ MEDIUM

<b>GF</b>	gaseous and liquid	Air, vapours, gases, liquids and - depending on seal - also for steam Only for steam boilers <10l
-----------	--------------------	--

## ■ TYPE OF LIFTING MECHANISM

<b>L</b>	Lifting lever
<b>0</b>	without lifting device

## ■ AVAILABLE NOMINAL DIAMETERS AND CONNECTION SIZES

Nominal diameter DN		8			10		
Inlet		1/4" (8)	KV (8mm)	KV (10mm)	3/8" (10)	KV (10mm)	KV (12mm)
Outlet	3/8" (10)	■	■	■	■	■	■
	KV (12mm)	■	■	■	■	■	■

## ■ TYPE OF CONNECTION INLET / OUTLET THREADED CONNECTIONS

<b>m / f</b>	Standard	Male thread BSP-P / Female thread BSP-P	DIN EN ISO 228-1 / DIN EN ISO 228-1
<b>SV / f</b>		Cutting ring threaded connection / female thread BSP-P	EN ISO 8434-1 / DIN EN ISO 228-1
<b>KV / KV</b>		Screw compression fitting / Screw compression fitting	EN ISO 8434-1 / EN ISO 8434-1

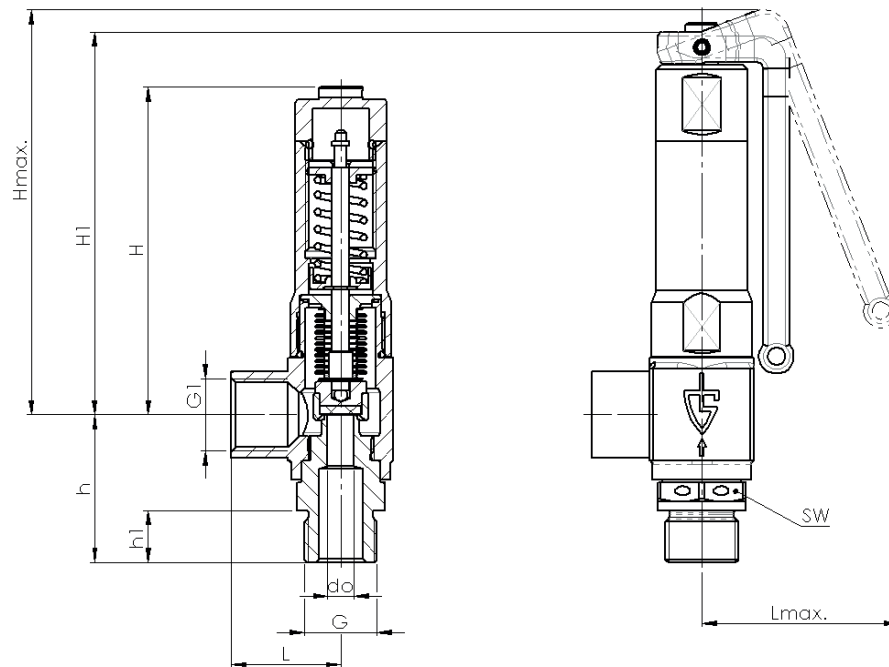
## ■ SEALS

<b>EPDM</b>	Ethylene propylene diene	Elastomere moulded seal (0,5 – 30 bar)	–40°C to +170°C
<b>FKM</b>	Fluorcarbon	Elastomere moulded seal (0,5 – 30 bar)	–20°C to +200°C
<b>FFKM</b>	Perfluorinated rubber	Elastomere moulded seal (0,5 – 30 bar)	–10°C to +260°C
<b>PTFE</b>	Polytetrafluoroethylene	Flat seal (0,5 – 50 bar)	–40°C to +225°C

■ NOMINAL DIAMETERS, CONNECTIONS, INSTALLATION DIMENSIONS

Series 420: Connection, installation dimensions, ranges of adjustment				
Nominal diameter	DN	8		10
Connection DIN EN ISO 228	G	1/4" (8)		3/8" (10)
Outlet DIN EN ISO 228	G1	3/8" (10)		3/8" (10)
Installation dimensions in mm	L	25		25
	Lmax	45		45
	H	75		75
	H1	87		87
	Hmax	93		93
	h	34		34
	h1	12		12
	SW	20		20
Weight	kg	0,3 / 0,4		0,25 / 0,35
	bar	0,5-50		0,5-50

■ MAIN DIMENSIONS, INSTALLATION DIMENSIONS



Series 420 ■ INDIVIDUAL SELECTION / VALVE CONFIGURATION

Series	Valve version	Medium	Lifting device	Nominal diameter DN	Connection type		Connection size		Seal	Options	Set pressure	Quantity
					Inlet	Outlet	Inlet	Outlet				
420	tb	GF	L	8	m	f	8	10	FFKM		5,5	2
420	t	GF	O	10	SV	f	10mm	10	EPDM		1,0	1
420		GF										
420		GF										

■ PROPERTIES

<b>GOX</b>	Especially for gaseous O2 applications by employment of specific materials including oil- and grease free production process	<input type="checkbox"/>	<input type="checkbox"/>
<b>P01</b>	Oil- and grease-free production	<input type="checkbox"/>	<input type="checkbox"/>
		<input type="checkbox"/>	<input type="checkbox"/>

■ CERTIFICATES / APPROVALS

<b>C01</b>	Factory certificate acc. DIN EN 10204 2.2 (WKZ 2.2)	<input type="checkbox"/>	<b>C06</b>	ATEX evaluation acc. to 2014/34/EU	<input type="checkbox"/>
<b>C02</b>	Test certificate acc. DIN EN 10204 3.1 (WPZ 3.1)	<input type="checkbox"/>	<b>C07</b>	SIL evaluation relating to IEC 61508-2	<input type="checkbox"/>
<b>C03</b>	Material test certificate acc. DIN EN 10204 3.1 (MPZ 3.1) (pressure retaining part)	<input type="checkbox"/>	<b>C09</b>	Seat tightness test with helium, leak detection method under vacuum incl. Factory Inspection Certificate 3.1 acc. to DIN EN 10204	<input type="checkbox"/>
<b>C04</b>	TÜV/DEKRA individual inspection acc. EN 10204 3.2 (TÜV/DEKRA-APZ)	<input type="checkbox"/>	<b>C10</b>	Certificate of oil- and grease free production	<input type="checkbox"/>
<b>C05</b>	Sealing material Manufacturer certification (FDA, USP 3, 3-A,...), Please indicate description of certificate: _____	<input type="checkbox"/>	<b>C11</b>	Certification of the production process especially for gaseous oxygen applications by employment of specific materials	<input type="checkbox"/>

■ ADMISSIONS / ACCREDITATIONS

<b>AA1</b>	EC Type examination acc. to Directive 2014/68/EU	<input type="checkbox"/>	<b>AK1</b>	Det Norske Veritas (DNV) type approval	<input type="checkbox"/>
<b>AA2</b>	TÜV component test acc. to VdTÜV specification sheet SV 100	<input type="checkbox"/>	<b>AK2</b>	Lloyd's Register (LR) type approval	<input type="checkbox"/>
<b>AA4</b>	EAC - certificate/declaration with passport for the valve and laser marking of the valve	<input type="checkbox"/>	<b>AK3</b>	American Bureau of Shipping (ABS) type approval	<input type="checkbox"/>
<b>AA11</b>	UK Type examination acc. to Directive UK PESR 2016 No. 1105	<input type="checkbox"/>	<b>AK4</b>	Bureau Veritas (BV) type approval	<input type="checkbox"/>
		<input type="checkbox"/>	<b>AK5</b>	Russian Maritime Register of Shipping (RMRS) type approval	<input type="checkbox"/>
		<input type="checkbox"/>	<b>AK6</b>	Registro Italiano Navale (RINA) type approval	<input type="checkbox"/>
		<input type="checkbox"/>	<b>AL</b>	Individual inspection by notified body inspector – (body to be indicated): _____	<input type="checkbox"/>

■ ENQUIRY

Copy and send to: [order@goetze-armaturen.de](mailto:order@goetze-armaturen.de).

Order form easily to be found online under the section for each series.

Series 420: Blowing-off rates at 10% above set pressure							
Nominal diameter DN		DN8			DN10		
Set pressure bar		I	II	III	I	II	III
Air I Nm <sup>3</sup> /h	0,50	10	8	0,39	15	12	0,46
	1,00	16	13	0,53	23	18	0,62
	1,50	21	17	0,65	30	23	0,76
Steam II kg/h	2,00	28	22	0,75	38	30	0,88
	2,50	32	25	0,84	45	35	0,98
	3,00	37	29	0,92	52	41	1,07
Water III m <sup>3</sup> /h	3,50	42	33	0,99	59	46	1,16
	4,00	47	36	1,06	65	51	1,24
	4,50	52	40	1,12	72	56	1,31
	5,00	56	43	1,18	79	61	1,38
	5,50	61	47	1,24	85	66	1,45
	6,00	66	51	1,29	92	71	1,52
	6,50	71	54	1,35	99	76	1,58
	7,00	75	58	1,40	105	81	1,64
	7,50	80	61	1,45	112	86	1,70
	8,00	85	65	1,49	119	91	1,75
	8,50	90	68	1,54	125	96	1,80
	9,00	94	72	1,59	132	101	1,86
	9,50	99	75	1,63	139	106	1,91
	10,00	104	79	1,67	145	110	1,96
	11,00	113	86	1,75	159	120	2,05
	12,00	123	93	1,83	172	130	2,14
	13,00	132	100	1,91	185	140	2,23
	14,00	142	107	1,98	199	150	2,32
	15,00	151	114	2,05	212	160	2,40
	16,00	161	121	2,11	225	169	2,48
	17,00	171	128	2,18	239	179	2,55
	18,00	180	135	2,24	252	189	2,63
	19,00	190	142	2,30	265	199	2,70
	20,00	199	149	2,36	279	208	2,77
	21,00	209	156	2,42	292	218	2,84
	22,00	218	163	2,48	305	228	2,90
	23,00	228	170	2,53	319	238	2,97
24,00	237	177	2,59	332	248	3,03	
25,00	247	184	2,64	345	258	3,09	
26,00	256	191	2,69	359	268	3,16	
27,00	266	198	2,75	372	278	3,22	
28,00	275	205	2,80	385	287	3,28	
29,00	285	212	2,85	399	297	3,33	
30,00	294	219	2,89	412	307	3,39	
32,00	313	233	2,99	439	326	3,50	
34,00	332	247	3,08	465	346	3,61	
36,00	351	262	3,17	492	366	3,71	
38,00	370	276	3,26	519	386	3,82	
40,00	390	290	3,34	545	406	3,91	
42,00	409	304	3,42	572	426	4,01	
44,00	428	318	3,50	599	446	4,11	
46,00	447	333	3,58	625	466	4,20	
48,00	466	347	3,66	652	486	4,29	
50,00	485	361	3,74	679	506	4,38	