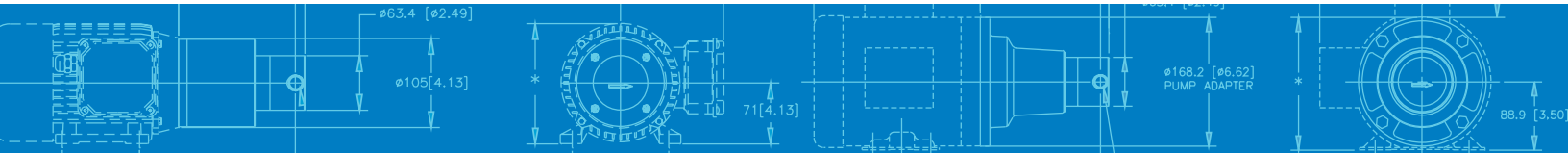




Series GA/GAH

MAGNETIC DRIVE GEAR PUMP

When you need a low-flow pump that delivers high-performance in a small package, Series GA is an excellent solution. Series GA pumps provide precise, pulseless flow, and feature Micropump's suction shoe design that allows the pumps to self-compensate for wear ensuring near zero slip and a long pump life. Series GAH extends Series GA to high-system pressure applications making Series GA pumps ideal for a wide-range of low-flow applications.



SUCTION SHOE STYLE PUMPS

Suction shoe style pumps self-compensate for wear, are excellent for continuous duty processes, and offer improved efficiencies when pumping at higher pressures.

SMALL SIZE

The miniature package size of the Series GA/GAH is easily incorporated into the design of many systems.

FLUID PATH INTEGRITY

The magnetic drive and static o-ring seal(s) keep the fluid securely inside the pump and potential contaminants out.

SMOOTH PULSELESS DELIVERY

Positive displacement, precision gears provide consistent fluid delivery in continuous processes.

CHEMICALLY RESISTANT

Series GA/GAH has a long life in aggressive environments.

EASY TO SERVICE

Series GA/GAH pumps are easy to service using a Micropump® service kit and simple hand tools.

HIGH-SYSTEM PRESSURE CAPABILITY

Series GAH pumps are designed to withstand system pressures up to 345 bar (5000 psi).

WIDE RANGE OF CONFIGURATIONS

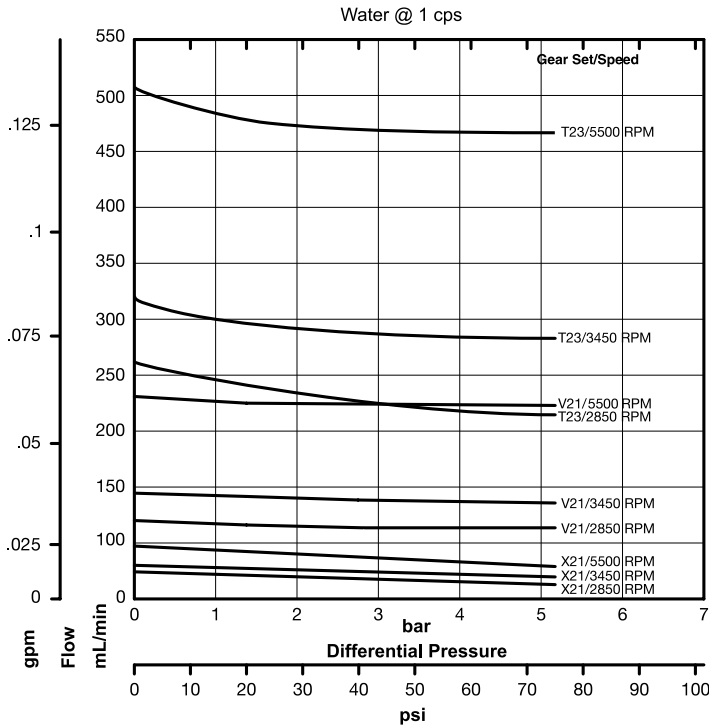
Micropump's designs offer a wide range of configurations to meet your more challenging requirements including:

- ▶ Multiple gear, body, and o-ring materials
- ▶ High-torque magnets
- ▶ NEMA, IEC, EagleDrive, and Micropump drive mounts

ADAPTABILITY

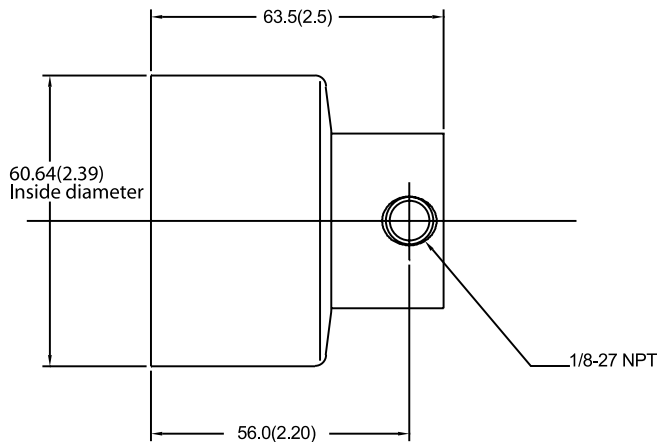
Our adapter kits allow for the greatest flexibility when it comes to matching the best pump to your motor. Choose from NEMA 56C, 143/145TC and IEC (metric) frame motors.

PUMP PERFORMANCE



DIMENSIONS

A MOUNT



Units: mm(in). Nominal dimensions shown.



Micropump, Inc | A Unit of IDEX Corp. | 1402 NE 136th Avenue • Vancouver, WA 98684
www.micropump.com

ACTUAL PERFORMANCE MAY VARY. Specifications are subject to change without notice. ©2016 Micropump, Inc., A Unit of IDEX Corporation. Micropump and the Micropump logo are registered trademarks of Micropump, Inc.

REV.12/2021

PERFORMANCE SUMMARY

FLOW RATE AT 5500 RPM

- ▶ 506 mL/min (0.134 US gpm)

DISPLACEMENT

- ▶ Gear Set X21 V21 T23
- ▶ mL/rev 0.017 0.042 0.092
- ▶ US gal/1000 rev 0.045 0.01 0.02

MAXIMUM RATED DIFFERENTIAL PRESSURE

- ▶ 5.2 Bar (75 psi)

MAXIMUM RATED SYSTEM PRESSURE

- ▶ Standard Series GA 21 Bar (300 psi)
- ▶ High-Pressure Series GAH 345 Bar (5000 psi)

TEMPERATURE RANGE

- ▶ -46 to 177 °C (-50 to 350 °F)

VISCOSITY RANGE

- ▶ 0.5 to 1500 cps

MAXIMUM RECOMMENDED SPEED

- ▶ 5500 rpm

PUMP CONSTRUCTION

- ▶ Magnetic drive gear pump
- ▶ Suction shoe style
- ▶ Spur gears
- ▶ Stationary shafts
- ▶ O-ring seal

WETTED MATERIALS

BASE MATERIAL

- ▶ 316 stainless steel ▶ Alloy 276
- ▶ Titanium ▶ Alloy 20

GEARS

- ▶ Carbon Graphite ▶ PTFE
- ▶ PEEK ▶ Carbon
- ▶ PPS

STATIC SEALS

- ▶ FKM ▶ PTFE
- ▶ TEV ▶ FFKM
- ▶ EP

MAGNETS

DRIVEN AND DRIVING

- ▶ Ferrite
- ▶ Rare Earth

PRODUCT ENHANCEMENTS

- ▶ 1/4 - 18 NPT Side Ports (GA Only)