



RVP 20 Pump Specifications Sheet

The sliding vane pump consists of a rotor turning inside a cam that is machined eccentrically in relation to the rotor. As the rotor turns, the liquid that is trapped between the rotor, cam and vanes is displaced. The pumps are made with vanes produced from advanced polymers which exhibit extremely low coefficients of friction. The self adjusting vanes compensate for wear and help extend the life of the pump.



Pumps can be supplied in ATEX II 2 G version (on request).

Maximum specifications

Flow l/min (GPM)	Speed RPM	Viscosity SSU (cP)	Differential pressure PSI (bar)	Testing pressure PSI (bar)	Temperature range °F (°C)
333 (80)	780	20000 (4250)	110 (7,6) std. 125 (8,6) opt.	200 (13,8)	-26 to 300 (-32 to 149)

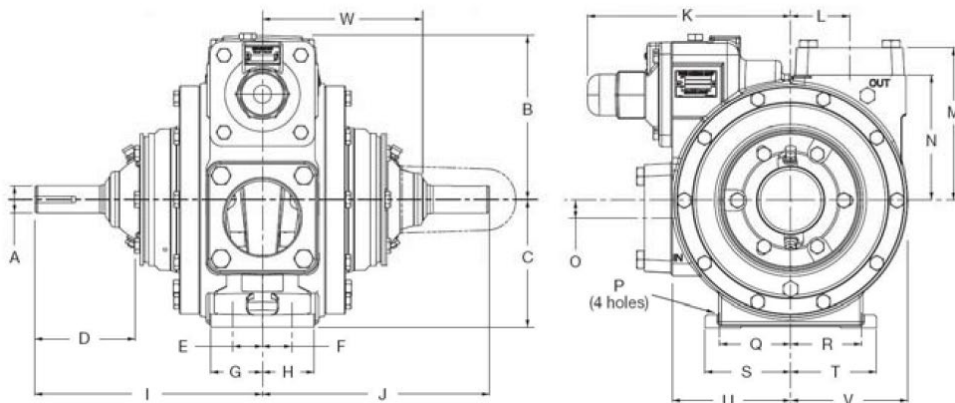
Performances

Flange size	780 RPM	640 RPM	520 RPM	420 RPM	350 RPM	275 RPM
	l/min (GPM)					
2"	333 (88)	272 (72)	216 (57)	178 (47)	145 (38)	117 (31)
Viscosity	100	1000	5000	10000	20000	
RPM	780	640	520	420	275	

Materials

Part.	Standard material	Available Options
Case	Cast iron	
Head	Cast iron	
Flanges	Cast iron	
Rotor	Ductile iron	
Bearing cap	Steel	Bearing cover/spacer with hydraulic motor adapter (cast aluminium) and coupling (steel)
Bearings	Ball (single row), grease lubricated to 300°F (149°C) max	
Vanes	Full size with 316 stainless steel wear plate to 240°F (115°C) 20000 SSU (4250 cP) max	
Bypass valve	Cast iron with nickel added	
Bypass/AOV cap	Cast iron	
Bypass valve cover	Cast iron	
Bypass valve spring	Plated steel	
Seal seat	Cast iron	Stainless steel and Ni-Resist
Seal metal parts	Steel	
Shaft	High strength steel	
O-rings	Buna-N to 240°F (115°C)	Viton to 300°F (149°C)
Gaskets	Composite to 500°F (260°C)	
Vane drivers	Case hardened steel	
Gauge ports	¼" NPT	

Dimensions



	A	B	C	D	E	F	G	H	I	J	K	
in	1.13	5.18	4.00	3.63	.81	.81	1.75	1.75	7.99	7.99	6.07	
mm	28.6	131.6	101.6	92.2	20.6	20.6	44.5	44.5	203.2	203.2	154.4	
	L	M	N	O	P	Q	R	S	T	U	V	W
1.50	4.98	4.12	.50	.44	2.50	2.50	3.30	3.30	3.90	3.90	3.90	5.30
38.1	126.6	104.8	12.7	11.2	63.5	63.5	84.0	84.0	99.2	99.2	99.2	134.6



SAMPI spa

A unit of IDEX Corporation
 Via Amerigo Vespucci, 1
 55011 Altopascio (Lucca) – Italy
 Phone: +39 0583 24751
 Fax: +39 0583 264748
www.sampi.it