

Lateral Channel Blowers Compressors **50Hz** SM Execution



II 3G c IIB T4 (Zone 2 GAS)
II 3D c T135°C (Zone 22 DUST)
II 3G cb IIB T3 (for conveying GAS) ⁽²⁾



Performance Data [50Hz] (1)

| Blower Model | | 0 | | 50 | | 100 | | 150 | | 200 | | 250 | | 300 | | 350 | | 400 | | 500 | | 600 | | Maximum Pressure [hPa] | Capacity [m ³ /h] | Installed Power [kW] |
|--------------|----------|------------------------------|----------------------|------------------------------|----------------------|------------------------------|----------------------|------------------------------|----------------------|------------------------------|----------------------|------------------------------|----------------------|------------------------------|----------------------|------------------------------|----------------------|------------------------------|----------------------|------------------------------|----------------------|-----|------|------------------------|------------------------------|----------------------|
| | | Capacity [m ³ /h] | Installed Power [kW] | Capacity [m ³ /h] | Installed Power [kW] | Capacity [m ³ /h] | Installed Power [kW] | Capacity [m ³ /h] | Installed Power [kW] | Capacity [m ³ /h] | Installed Power [kW] | Capacity [m ³ /h] | Installed Power [kW] | Capacity [m ³ /h] | Installed Power [kW] | Capacity [m ³ /h] | Installed Power [kW] | Capacity [m ³ /h] | Installed Power [kW] | Capacity [m ³ /h] | Installed Power [kW] | | | | | |
| SINGLE STAGE | LCX1.10 | 91 | 0,37 | 75 | 0,37 | 59 | 0,37 | 43 | 0,55 | - | - | - | - | - | - | - | - | - | - | - | - | - | 160 | 39 | 0,55 | |
| | LCX1.14 | 122 | 0,75 | 104 | 0,75 | 87 | 0,75 | 69 | 0,75 | 51 | 1,1 | - | - | - | - | - | - | - | - | - | - | - | 200 | 51 | 1,1 | |
| | LCX1.20 | 200 | 1,5 | 174 | 1,5 | 148 | 1,5 | 122 | 1,5 | 95 | 2,2 | 69 | 2,2 | - | - | - | - | - | - | - | - | - | - | 260 | 64 | 2,2 |
| | LCX1.28 | 290 | 2,2 | 261 | 2,2 | 232 | 2,2 | 202 | 2,2 | 173 | 2,2 | 144 | 3,0 | - | - | - | - | - | - | - | - | - | - | 275 | 129 | 3,0 |
| | LCX1.40 | 420 | 4,0 | 392 | 4,0 | 363 | 4,0 | 335 | 4,0 | 306 | 5,5 | 278 | 5,5 | 249 | 7,5 | 221 | 7,5 | - | - | - | - | - | - | 350 | 221 | 7,5 |
| | LCX1.50 | 517 | 5,5 | 488 | 5,5 | 458 | 5,5 | 429 | 5,5 | 399 | 7,5 | 370 | 7,5 | 340 | 9,2 | 311 | 9,2 | 281 | 11,0 | - | - | - | - | 400 | 281 | 11,0 |
| | LCX1.70 | 717 | 7,5 | 681 | 7,5 | 645 | 7,5 | 609 | 7,5 | 573 | 7,5 | 538 | 9,2 | 502 | 11,0 | 466 | 11,0 | 430 | 15,0 | - | - | - | - | 400 | 430 | 15,0 |
| | LCX1.80 | 850 | 7,5 | 812 | 7,5 | 774 | 7,5 | 736 | 7,5 | 698 | 9,2 | 660 | 11,0 | 622 | 15,0 | 584 | 15,0 | 546 | 15,0 | - | - | - | - | 450 | 508 | 18,5 |
| | LCD1.140 | 1363 | 11,0 | 1295 | 11,0 | 1227 | 11,0 | 1158 | 11,0 | 1090 | 15,0 | 1022 | 15,0 | 954 | 18,5 | - | - | - | - | - | - | - | - | 325 | 920 | 18,5 |
| | LCD1.170 | 1615 | 15,0 | 1543 | 15,0 | 1471 | 15,0 | 1398 | 15,0 | 1326 | 18,5 | 1254 | 22,0 | - | - | - | - | - | - | - | - | - | - | 275 | 1218 | 22,0 |
| DOUBLE STAGE | LCX2.05 | 52 | 0,55 | 46 | 0,55 | 40 | 0,55 | 34 | 0,55 | 28 | 0,55 | 22 | 0,55 | - | - | - | - | - | - | - | - | - | 275 | 19 | 0,55 | |
| | LCX2.07 | 68 | 0,75 | 61 | 0,75 | 54 | 0,75 | 48 | 0,75 | 41 | 0,75 | 35 | 0,75 | 29 | 1,1 | 23 | 1,1 | - | - | - | - | - | 350 | 23 | 1,1 | |
| | LCX2.10 | 96 | 1,1 | 88 | 1,1 | 81 | 1,1 | 73 | 1,1 | 66 | 1,1 | 59 | 1,1 | 52 | 1,5 | 45 | 1,5 | - | - | - | - | - | 375 | 42 | 1,5 | |
| | LCX2.14 | 135 | 2,2 | 126 | 2,2 | 118 | 2,2 | 110 | 2,2 | 102 | 2,2 | 94 | 2,2 | 86 | 2,2 | 78 | 2,2 | 70 | 2,2 | - | - | - | - | 425 | 67 | 3,0 |
| | LCX2.20 | 203 | 4,0 | 194 | 4,0 | 184 | 4,0 | 175 | 4,0 | 166 | 4,0 | 158 | 4,0 | 149 | 4,0 | 141 | 4,0 | 133 | 5,5 | - | - | - | - | 450 | 125 | 5,5 |
| | LCX2.25 | 255 | 5,5 | 246 | 5,5 | 238 | 5,5 | 230 | 5,5 | 221 | 5,5 | 214 | 5,5 | 206 | 5,5 | 198 | 7,5 | 191 | 7,5 | 177 | 7,5 | - | - | 500 | 177 | 7,5 |
| | LCX2.35 | 354 | 5,5 | 342 | 5,5 | 331 | 5,5 | 319 | 5,5 | 308 | 5,5 | 297 | 5,5 | 286 | 7,5 | 276 | 7,5 | 265 | 7,5 | 245 | 9,2 | - | - | 550 | 235 | 9,2 |
| | LCX2.42 | 420 | 7,5 | 408 | 7,5 | 395 | 7,5 | 383 | 7,5 | 371 | 7,5 | 360 | 7,5 | 348 | 7,5 | 337 | 9,2 | 326 | 9,2 | 304 | 11,0 | 283 | 15,0 | 600 | 283 | 15,0 |
| | LCD2.50 | 514 | 7,5 | 501 | 7,5 | 488 | 7,5 | 475 | 7,5 | 462 | 7,5 | 449 | 9,2 | 436 | 9,2 | 423 | 11,0 | 410 | 11,0 | 384 | 15,0 | 358 | 15,0 | 600 | 358 | 15,0 |
| | LCD2.70 | 713 | 11,0 | 697 | 11,0 | 681 | 11,0 | 666 | 11,0 | 650 | 11,0 | 634 | 11,0 | 618 | 11,0 | 603 | 15,0 | 587 | 15,0 | 555 | 15,0 | 524 | 18,5 | 600 | 524 | 18,5 |
| | LCD2.85 | 846 | 15,0 | 829 | 15,0 | 813 | 15,0 | 796 | 15,0 | 779 | 15,0 | 763 | 15,0 | 746 | 15,0 | 729 | 18,5 | 713 | 18,5 | 679 | 22,0 | - | - | 525 | 671 | 22,0 |

Notes:
(1) Performance data and curves refer to operative conditions to air at 15°C temperature and 1013 hPa (abs) pressure measured at inlet port. Tolerance on capacity value: +/-10%. 1 hPa = 1 mbar
(2) Provided for vertical installation. Anodized and impregnated parts. Provision for temperature and pressure/vacuum control sensors and condensate drain hole.

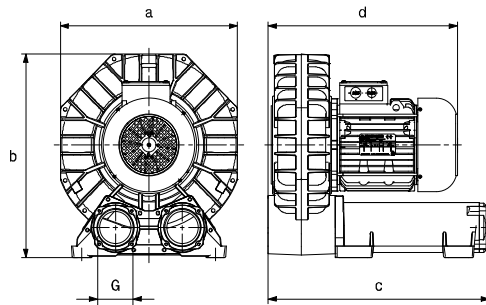
Lateral Channel Blowers Compressors **50Hz** SM Execution



II 3G c IIB T4 (Zone 2 GAS)
II 3D c T135°C (Zone 22 DUST)
II 3G cb IIB T3 (for conveying GAS) ⁽²⁾



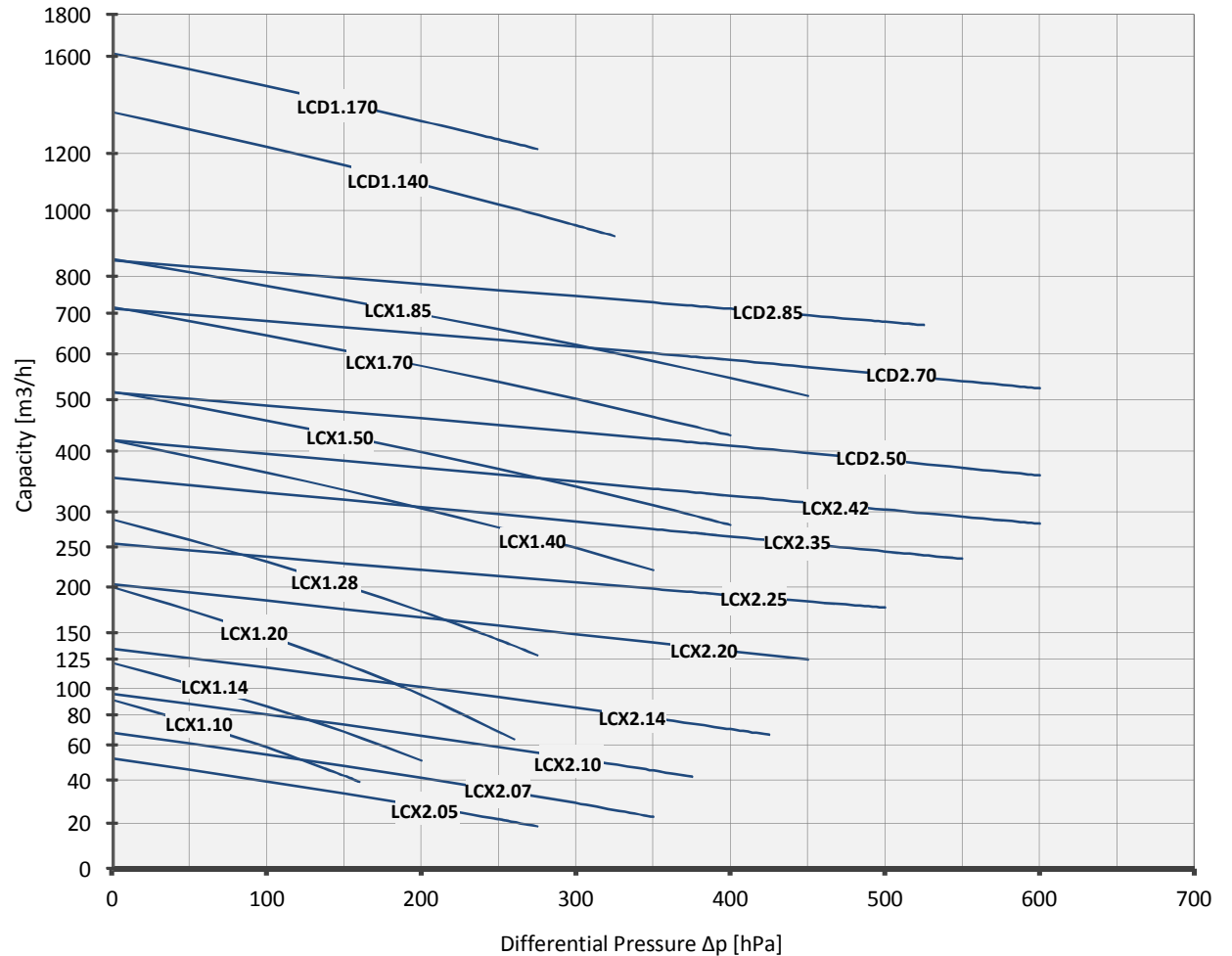
Overall Dimensions (3)



| Blower Model | | a | b | c | d | G |
|-----------------|----------|-----|-----|-----|------|----------|
| SINGLE STAGE | LCX1.10 | 265 | 303 | 334 | 305 | G 1 1/4" |
| | LCX1.14 | 291 | 323 | 344 | 323 | G 1 1/2" |
| | LCX1.20 | 334 | 366 | 362 | 329 | G2" |
| | LCX1.28 | 372 | 404 | 372 | 390 | G2" |
| | LCX1.40 | 424 | 475 | 529 | 453 | G3" |
| | LCX1.50 | 454 | 490 | 529 | 485 | G3" |
| | LCX1.70 | 512 | 564 | 597 | 561 | G4" |
| | LCX1.85 | 523 | 565 | 604 | 558 | G4" |
| | LCD1.140 | 512 | 604 | 751 | 735 | G4" |
| | LCD1.170 | 523 | 634 | 928 | 832 | G5" |
| DOUBLE STAGE | LCX2.05 | 265 | 303 | 334 | 305 | G 1 1/4" |
| | LCX2.07 | 291 | 323 | 344 | 323 | G 1 1/4" |
| | LCX2.10 | 334 | 366 | 362 | 329 | G 1 1/4" |
| | LCX2.14 | 372 | 404 | 372 | 390 | G 1 1/2" |
| | LCX2.20 | 424 | 475 | 529 | 453 | G3" |
| | LCX2.25 | 454 | 490 | 529 | 453 | G3" |
| | LCX2.35 | 512 | 564 | 597 | 561 | G4" |
| | LCX2.42 | 523 | 565 | 604 | 558 | G4" |
| | LCD2.50 | 483 | 510 | 920 | 898 | G3" |
| | LCD2.70 | 560 | 636 | 950 | 907 | G4" |
| | LCD2.85 | 564 | 636 | 991 | 1070 | G4" |

(3) Dimensions in mm. Tolerance about dimensions according to ISO 2768-c.

Performance Curves [50Hz] (1)



Notes:

- (1) Performance data and curves refer to operative conditions to air at 15°C temperature and 1013 hPa (abs) pressure measured at inlet port.
Tolerance on capacity value: +/-10%.
1 hPa = 1 mbar