

Service and operating instruction

Butterfly valves

Mi-205 EN

Edition: 2014-02

Type MTV

Type MTVF

Nominal pressure

Nominal size

Wafer design

Flanged design

PN 10 - 25

DN 80 - 500





Introduction

This operating manual is intended for the operating, maintenance and supervisory personnel.

This operating manual also describes components, equipment and ancillary units which are not or only partially included in the scope of supply.

The scope of supply applies always to the supply specification acc. to Page 43, Chapter 7 Product key.

The operating personnel must have read, understood and must comply with this operating manual.

We keep the right to do any technical changes which are necessary to improve the product without prior notice.

Copyright

Copyright by SOMAS Instrument AB. No part of this publication may be reproduced, stored in a retrieval system, or transmitted in any form or by any means, graphic, electronic, mechanical, photocopying, recording, taping, or otherwise without the prior permission of the copyright owner.

Valve supplier

SOMAS Instrument AB
Norrandsvägen 26-28
SE-661 40 SÄFFLE
SWEDEN
Tel: +46 (0)533 167 00
Fax: +46 (0)533 141 36
E-mail: sales@somas.se
Website: www.somas.se



Table of contents

1	Preliminary remarks	6
1.1	Explanation of warnings, symbols and signs	6
1.1.1	Warnings	6
1.1.2	Symbols and signs	7
2	Safety	8
2.1	Safety instructions	8
2.1.1	General dangers	8
2.1.2	Hazards due to electrical equipment	8
2.1.3	Additional hazards	8
2.1.4	State of the art	9
2.1.5	Preconditions for using the valve	9
2.2	Designated use of the valve	9
2.2.1	Use	9
2.2.2	Liability for non-designated use	10
2.3	Organizational measures	10
2.3.1	Availability of operating manual	10
2.3.2	Additional regulations	10
2.3.3	Checks	10
2.3.4	Protective equipment	10
2.3.5	Rebuilds or modifications at the valve	10
2.3.6	Replacing damaged parts	10
2.4	Selection and qualification of personnel	10
2.5	Safety instructions for butterfly valves	11
3	Description	13
3.1	General information	13
3.2	Function of the valve	13



4 Technical specifications 15

4.1 Specifications 15

4.1.1 Gaskets 15

4.2 Fastening torque for flanges 16

4.2.1 Fastening torque for flanges valve body PN 25 16

4.2.2 Fastening torque for MTV stuffing box 16

4.2.3 Tightening torque for screws in valves 16

4.3 Temperature range 17

4.3.1 Temperature range of the seat 17

4.3.2 Temperature range of the shaft 17

4.3.3 Temperature range of the valve body 17

5 Assembly 18

5.1 Unpacking and transportation 18

5.2 Installation of the valve in the pipeline 19

5.2.1 Important information for installation 19

5.3 Start up 21

5.4 Disassembly of the pneumatic actuator 22

5.5 Positioning of the shaft with disassembled actuator 23

5.6 Assembly of the pneumatic actuator 24

5.6.1 Actuator mounting alternatives 26

6 Maintenance 27

6.1 Disassembly of the butterfly valve from pipeline 27

6.2 Maintenance 28

6.2.1 Procedure to evaluate a leakage on a butterfly valve installed in a pipeline 29

6.3 Installation and disassembly of the stuffing box 29

6.4 Replacing the seat (standard metal seat) 31



6.4.1	Disassembly	32
6.4.2	Cleaning, lubrication and assembly	32
6.5	Replacing the PTFE seat	33
6.5.1	Disassembly	34
6.5.2	Cleaning, lubrication and assembly	34
6.6	Adjustment of the end positions	35
6.6.1	Setting of the “closed” position with type MTV	36
6.6.2	Setting of the “open” position with type MTV	36
6.7	Leak test of the valve	37
6.8	Components	38
6.8.1	MTV DN 80-150, with metal seat	38
6.8.2	MTV DN 200-300, with metal seat	39
6.8.3	MTV DN 350-500, with metal seat	40
6.8.4	MTV DN 80-150, with PTFE seat	41
6.8.5	MTV DN 200-500, with PTFE seat	42
7	Product key	43



1 Preliminary remarks

To enable you to find information quickly and reliably in the operation manual, this chapter familiarises you with the structure of the operating manual.

This manual uses symbols and special characters which make it easier for you to find information. Please read the explanations of the symbols given in the section below.

Ensure that you read all the safety instructions in this operating manual very carefully.

You will find safety instructions in section 2, in the foreword to the sections and before any working instructions.

1.1 Explanation of warnings, symbols and signs

1.1.1 Warnings

Warnings are used in this operating manual to warn against injury and material damage. Always read and observe these warnings! Warnings are identified by the following symbols:

In this manual are used diverse types of safety and warning notices:

Danger!	
Type of danger. Advise for imminent danger. Not attention of the advices could be mortal or cause severe injuries as a consequence. Explanation of the countermeasures.	International Safety symbol
Warning!	
Type of danger. Advise for imminent danger. Not attention of the advices could cause severe injuries or property damage as a consequence. Explanation of the countermeasures.	International Safety symbol
Attention!	
Type of danger. Advise for possible danger. Not attention of the advices could cause property damage as a consequence. Explanation of the countermeasures.	International Safety symbol



Note

Advices and give tips for better understanding of the manual or a better handling of the valve.



1.1.2 Symbols and signs

Symbols and signs are used in this operating manual to provide fast access to information.

1.1.2.1 Symbols and signs in the text

Symbol	Denotation	Explanation
⇒	Operating instructions	This means there is an action to be carried out.
1. 2.	Operating instructions, multi-step	Work instructions must be carried out in the sequence shown. Deviations from the sequence shown may result in damages to the valve and accidents.
• -	Lists, two-stage	No activities are linked with lists.
→	Cross-reference	References to images, tables, other sections or other instructions.

Tab.1-1 Symbols in the text



2 Safety

2.1 Safety instructions

2.1.1 General dangers

Sources of danger resulting in general hazards:

- Mechanical hazards
- Electrical hazards

2.1.2 Hazards due to electrical equipment

Due to the permanent dampness, electrically-operated machine parts represent a potential source of danger.

Comply with all regulations on electrical equipment in damp areas!

2.1.3 Additional hazards

2.1.3.1 Entanglement, crushing and cut/sever hazards

- by moving machine parts left exposed, by removing covers for inspection, sampling, etc.
- by automatic operated valves

2.1.3.2 Burning or scalding hazards

- by opening or leaving open function-check and/or sampling openings on systems operating at high temperatures (above 40°C)
- by operating temperature $\geq 70^\circ\text{C}$. Short contacts (approx. 1s) of the skin with the surface of the valve may cause burns (pr EN 563)
- by operating temperature = 65°C. Longer contacts (approx. 3s) of the skin with the surface of the valve may cause burns (pr EN 563)
- by operating temperature 55°C...65°C. Longer contacts (approx. 10 ... 3s) of the skin with the surface of the valve may cause burns (pr EN 563)

2.1.3.3 Explosion hazards

A high surface temperature on a valve and actuator, constitutes (a risk for burn injuries, and) a risk of ignition of explosive atmospheres in ATEX applications.

The surface temperature of the equipment is not dependent on the equipment itself, but on the ambient conditions and the process conditions. The protection from the surface temperature is the responsibility of the end user, and must be effectuated before the equipment is put into service.



2.1.4 State of the art

This product has been built by SOMAS Instrument AB in accordance with state-of-the-art standards and the recognized safety rules. Nevertheless, its use may constitute a risk to life and limb of the user or of third parties, or cause damage to the valve and to other material property, if:

- the product is not used as designated
- the product is operated or repaired by untrained personnel
- the product is modified or converted improperly and/or
- the safety instructions are not observed

Therefore, every person involved in erecting, operating, inspecting, maintaining, servicing and repairing the valve must read, understand and observe the complete operating instructions, particularly the safety instructions.

2.1.5 Preconditions for using the valve

The valve only has to be used:

- in perfect technical condition
- as designated
- according to the instructions in the operating manual, and only by safety-conscious persons who are fully aware of the risks involved in operating the valve
- if all protective devices are installed and operative

Rectify immediately any functional disorders, especially those affecting the safety of the valve!

2.2 Designated use of the valve

2.2.1 Use

The valves are appropriate to be used in pulp and paper industry, chemical industry, shipbuilding industry, energy industry and offshore industry.

Particular data to the operation and limit values are specified on the data sheet "Si-205EN".

The operating values, limit values and setting data must not deviate from the values specified in the operating manual and corresponding information sheet without consulting the manufacturer! The manufacturer cannot be held liable for any damages resulting from non-observance of the operating manual.



2.2.2 Liability for non-designated use

Using the valve for other purposes than those mentioned previously is considered contrary to its designated use. For resulting damages of this, SOMAS Instrument AB is not liable! The user take the risk.

2.3 Organizational measures

2.3.1 Availability of operating manual

The operating manual has to be stored and be readily available!

2.3.2 Additional regulations

In addition to the operating manual, it have to be observed all other generally applicable legal and other mandatory regulations relevant to accident prevention and environmental protection! Direct the personnel to comply with them!

2.3.3 Checks

Periodically check that the personnel carry out the work in compliance with the operating manual and that they pay attention to risks and safety factors.

2.3.4 Protective equipment

Use when necessary protective equipment.

2.3.5 Rebuilds or modifications at the valve

Do not make any rebuilds or modifications at the valve yourself, which can affect the security of the valve.

2.3.6 Replacing damaged parts

Valve parts that are not in perfect condition must be replaced immediately with original spare parts! Use only original spare and wear parts from SOMAS Instrument AB.

On unauthorized parts is not guarantee that they have been designed and manufactured according to the application.






2.4 Selection and qualification of personnel

Operation, maintenance and repairing works require special knowledge and may only be carried out by trained technical specialists or qualified personnel authorized by the user.



2.5 Safety instructions for butterfly valves

Operation of the butterfly valve is always subject to the local safety and accident prevention regulations.

<p>Danger!</p> <p>Risk of injury! Observe movements of the disc. Keep hands, tools and other objects away from the area where the disc moves when the actuator is connected to compressed air system. Single action actuators may move to "open" or "closed" position without being connected to the air system.</p>	
<p>Warning!</p> <p>Before carrying out maintenance or repair work on the butterfly valve with actuator or installation and removal of the butterfly valve from the pipeline, always disconnect the compressed air supply to the actuator. Single action actuators may move to "open" or "closed" position without being connected to the air system.</p>	
<p>Warning!</p> <p>Ensure that personnel who work with, install or repair the butterfly valve are appropriately trained. This prevents unnecessary damage and accidents or injury to personnel.</p> <p>The maintenance and assembly personnel must be familiar with the process of installing and disassembling the butterfly valve in a process line, the special and possible risks of the process and the most important safety regulations.</p> <p>The repair and assembly personnel must be familiar with the risks when handling pressurised equipment, hot and cold surfaces, dangerous substances and substances which represent a hazard to health.</p>	
<p>Warning!</p> <p>Do not exceed the design data of the butterfly valve! Exceeding the design data marked on the butterfly valve may lead to damage and uncontrolled escape of the pressurised medium. Both the damage as such and the pressurised medium may lead to injuries to personnel.</p>	
<p>Warning!</p> <p>Do not remove the butterfly valve from the line as long as it is pressurised! Dismantling or disassembly of a pressurised butterfly valve leads to an uncontrolled loss of pressure. Always isolate the relevant butterfly valve in the pipe system; depressurise the butterfly valve and remove the medium before working on the butterfly valve.</p>	

**Warning!**

Before assembling or disassembling the pneumatic actuator of a butterfly valve installed in the pipeline depressurise the relevant valve in the pipeline system, isolate the valve and remove the medium before working on the valve.

The pressurised medium may lead to injuries to personnel.

**Warning!**

Inform yourself of the properties of the medium. Protect yourself and your environment from hazardous or poisonous substances.

Observe the safety instructions in the safety data sheets of the manufacturers. Ensure that no medium can enter the pipeline during maintenance work.

**Warning!**

Before replacing the stuffing box of a butterfly valve installed in the pipeline depressurise the relevant valve in the pipeline system, isolate the valve and remove the medium before working on the valve.

The pressurised medium may lead to injuries to personnel.

**Danger!**

Risk of injury!

Observe movements of the valve disc.

Keep hands, tools and other objects away from the area where the valve disc moves. The valve with valve disc mounted may work as a cutting tool. Do not leave any foreign objects in the valve body. The valve disc of the butterfly valve always works as a separate device. There is no difference whether an actuator is installed or not. The position of the disc may change during transport or handling of the butterfly valve.

**Warning!**

Protect yourself against noise - use the relevant safety equipment.

The butterfly valve may cause noise in the pipeline. The noise level depends on the type of application and can be determined with the SOMAS software SomSize.

Additional noise sources in the vicinity of the butterfly valve may increase the noise level.

**Warning!**

Beware of very cold or hot surfaces!

The body of the butterfly valve may become very cold or very hot during operation. Protect yourself against frostbite and burns.





Warning!

When transporting and handling the butterfly valve, observe its weight.
 Never lift the valve by its positioner, limit switch, solenoid valve or piping. Place the hoisting ropes securely according to lift instruction.
 The butterfly valve or parts thereof may injure persons if dropped.
 Do not walk under suspended loads.



3 Description

3.1 General information

The SOMAS butterfly valve type MTV is used for control shut-off and hand operation. The valve is suitable for liquids, vapours and gases in a wide temperature range.

Due to the sophisticated triple-eccentric design and the special shape of the disc a solid stainless steel seat can be used. This combination gives a solution resistant against high flow velocity and guarantees no leakage even under severe conditions.

The seat is available in different stainless qualities and is replaceable.

The butterfly valve type MTV is designed as a wafer style valve. As alternative there is a lug type version available.

The butterfly valve is checked and ready for use at delivery and can be equipped with actuators, valve positioners as well as with other accessories.

3.2 Function of the valve



Fig.3-1 Function of the valve

The SOMAS MTV-valve is mostly equipped with a metallic seat. The tightness on the main flow direction is according to the standard class V for a valve with an SS 2377 seat and class VI for a valve with a PTFE seat (optional). For further informations see the "Product key" (→ Chap. 7).



Note

Use gaskets with the nominal size of the valve, to have a leak-proof sealing in both flow directions.



The valve is adjustable. This means, the more the valve is closed the tighter it becomes (→ Fig.3-1).

Through the sophisticated triple eccentric design, the seat is relaxed from the disc when opening the valve. This reduce wearing and extend the durability of the valve.

To close the butterfly valves for liquids need less torque than valves for vapors and gases.

The butterfly valve is tight in both flow directions. The preferred flow direction is the direction towards the flat side of the disc. This direction is marked with arrows on both sides of the valve.



4 Technical specifications

4.1 Specifications

4.1.1 Gaskets

Note

To ensure pressure on the cover plate use only gaskets with right inside diameter.



For installation between pipe flanges acc. to PN 10-25, the inside diameter acc. to EN 1514-1 of the gasket should not be exceeded, see (→ Tab.4-1).

DN	Max. inside dia. (di) (mm)	Outside dia. (dy) (mm)		
		PN 10	PN 16	PN 25
80	89	142	142	142
100	115	162	162	168
125	141	192	192	194
150	169	218	218	224
200	220	273	273	284
250	273	328	329	340
300	324	378	384	400
350	356	438	444	457
400	407	489	495	514
500	508	594	617	624

Tab.4-1 Gaskets diameter acc. to EN 1514-1

To fit between pipe flanges acc. to Class 150, the dimensions acc. to ASME B16.21 RF are valid, whereas the following dimensions for gaskets are valid (→ Tab.4-2).

DN	Max. inside dia. (di) (mm)	Outside dia. (dy) (mm)
		Class 150
80	89	136
100	114	174
125	141	196
150	168	222
200	219	279
250	273	340
300	324	410
350	356	451
400	406	515
500	508	606

Tab.4-2 Gaskets diameter acc. to ASME Norm



4.2 Fastening torque for bolts

4.2.1 Fastening torque for flanges valve body PN 25

DN	PN/Class	Screw		Torque (Nm)	DN	PN/Class	Screw		Torque (Nm)
		Dim.	Quantity				Dim.	Quantity	
80	10-16	M16	8	50	250	10	M20	12	125
	20	M16	4	95		16-20	M24	12	150
	25	M16	8	50		25	M27	12	180
	Class 150	5/8"	4	95		Class 150	7/8"	12	140
100	10-20	M16	8	65	300	10	M20	12	145
	25	M20	8	75		16-20	M24	12	175
	Class 150	5/8"	8	65		25	M27	16	155
						Class 150	7/8"	12	165
125	10-16	M16	8	80	350	10	M20	16	170
	20	M20	8	100		16	M24	16	200
	25	M24	8	75		20	M27	12	325
	Class 150	3/4"	8	95		25	M30	16	250
						Class 150	1"	12	280
150	10-20	M20	8	105	400	10	M24	16	230
	25	M24	8	130		16-20	M27	16	280
	Class 150	3/4"	8	100		25	M30	16	325
						Class 150	1"	16	245
200	10	M20	8	155	500	10	M24	20	230
	16	M20	12	100		16-20	M30	20	295
	20	M20	8	155		25	M33	20	324
	25	M24	12	125		Class 150	1 1/8"	20	275
	Class 150	3/4"	8	150					

Tab.4-3 Valve body PN 25

4.2.2 Recommended fastening torque for MTV stuffing box

DN	Shaft ø (mm)	Stuffing box ø di/dy (mm)	Torque (Nm)
80,100,125	20	20/35	15-20
150,200	25	25/40	15-20
250	30	30/45	20-30
300	35	35/50	25-35
350	40	40/55	30-40
400	50	50/65	45-65
500	60	60/75	60-90

Tab.4-4 Torque for MTV stuffing box

4.2.3 Tightening torque for screws in valves

Screw dim./class	M6	M8	M10	M12	M16	M20	M24	M27
Tightening torque MV 1)	10 Nm	25 Nm	47 Nm	57 Nm	140 Nm	273 Nm	472 Nm	682 Nm

1) Mv-recommendations refer to flat burr-free surfaces lubricated with a good quality lubricant.



The fastening torque at the table are valid for new, properly fixed stuffing boxes. If the threads are not lubricated, the highest torque specifications are valid.

By leakage while operating, the compression of the stuffing box can be improved by higher torque values.

Generally: To avoid a leakage, all the nuts have to be fastened the same, only little differences at the torque are tolerated.

4.3 Temperature range

4.3.1 Temperature range of the seat

Seat	Max. temp.
A = PTFE (10% carbon)	170° C
D = 1.4470 (metal seat type Y)	350° C ¹ 550° C ²
E = 1.4547	400° C
P = PTFE (fibreglass 15%)	170° C
T = HiCo (High Cobalt alloy)	550° C

Tab.4-7 Temperature range of the seat

4.3.2 Temperature range of the shaft

Shaft	Max. temp.
A = 1.4460	150° C
B = 1.4460, hard chromed	350° C ¹ 550° C ²
C = 1.4460, HiCo coated	350° C ¹ 550° C ²
F = 1.4435	150° C
G = 1.4435 (316L), hard chromed	550° C
K = 1.4539	350° C ¹
T = Titanium	150° C

Tab.4-8 Temperature range of the shaft

4.3.3 Temperature range of the valve body

Valve body	Max. temp.
A = 2343-12 (CF8M)	550° C (500° C)
B = 2343-12 (CF8M), hard chromed	550° C (500° C)
E = CK-3MCuN	400° C

¹Tab.4-9 Temperature range of the valve body

¹ Check with SOMAS for temperatures between 350 and 550 °C.
At higher pressures for example steam turbine applications.

² At lower pressures for example exhaust applications.



5 Assembly

5.1 Unpacking and transportation

Inspect the butterfly valve for transport damage when unpacking. The protective caps must only be removed immediately before assembly. The valve must be stored on a suitable base and protected against dirt until installed.

The valve must be stored in a cool, dry, clean place, not in direct contact with the floor. The valve must always be protected against dirt during storage and assembly.

Warning!

When transporting and handling the valve, observe the weight of the valve or of the whole unit. Do not walk under suspended loads.



Transportation must be carried out with suitable hoisting equipment as shown in (→ Fig.5-1). The picture shows a standard situation. Please note that all possible situations that can occur cannot be covered in this lift instruction.

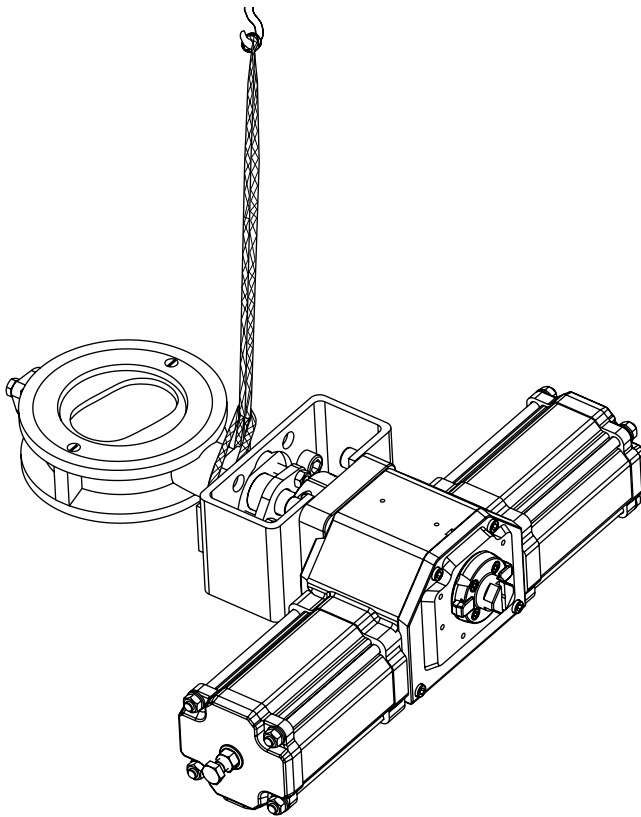


Fig.5-1 Lifting



5.2 Installation of the valve in the pipeline

Attention!

The installation of the butterfly valve is usually made with full installed actuator. The assembly is made by closing spring loaded and double acting actuators with closed butterfly valve, by opening spring loaded actuators with open butterfly valve.
At opening spring loaded actuators, a short adapter with additional flanges is to be installed in the pipeline immediately in front of and behind the valve.



Note

The preferred flow direction is shown with arrows on the valve body (→ Fig.5-2). The medium should impact on the flat side of the disc. When lugged valves are installed, it is possible to disassemble the pipe at the downstream side of the butterfly valve.
The valve can also be used for end-of-line service, in which case the fluid pressure must be towards the flat side of the disc.

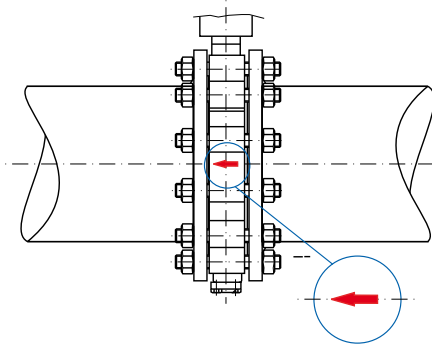


Fig.5-2 Preferred flow direction marking

Warning!

Before carrying out maintenance or repair work on the valve with actuator as well as installation and disassembly of the butterfly valve in the pipeline, always disconnect the compressed air supply to the actuator.
Single action actuators may move to "open" or "closed" position without being connected to the air system.



5.2.1 Important information for installation

- The protective devices are to be removed directly before mounting the valve
- Counterflanges must be in accordance to the European or ASME standards
- Clean the whole pipeline system prior start up. Impurities damage the seat and the butterfly edge and lead to leakage
- Flush the pipeline system with fully opened valve
- Use gaskets of an appropriate quality (no spiral-wound gasket)
- Check if all flange surfaces are clean and undamaged



- Check if all screws of the cover plate are tightened.
Do not pull the ends of the counterflange with force to the valves, to compensate wide clearances

In case of control application avoid mounting the butterfly valve direct behind or ahead of a pipe bend. If the valve must be mounted behind a pipe bend, observe that the shaft is assembled aligned to the bend to reduce dynamic, irregular forces on the butterfly (→ Fig.5-3).

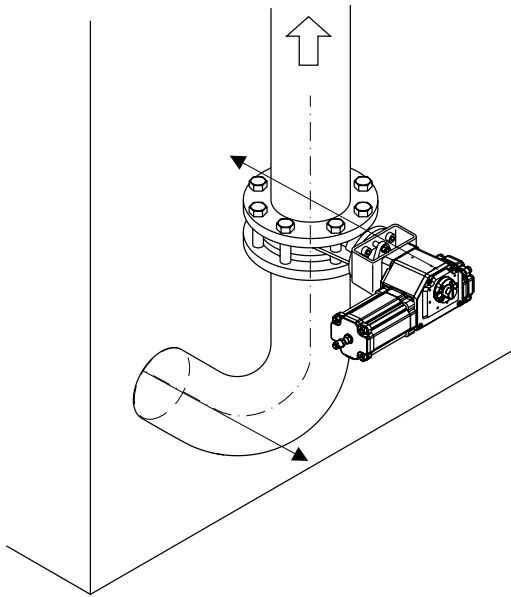


Fig.5-3 Installing near pipe bends

To install the butterfly valve on the pressure side of a centrifugal pump, you have to position the butterfly valve shaft perpendicular to the pump shaft (→ Fig.5-4).

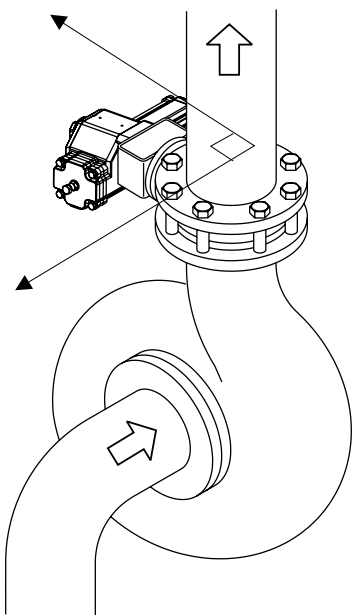


Fig.5-4 Installing the butterfly valve after a centrifugal pump



1. Make sure that the pipelines are flushed clean.
2. Open and close the valve completely before tightening the screws of the flange. Consider that the butterfly valve opens 60°-80° by control applications and about 80° by shut-off function. To seal the flanges tightly you have to use plain washers and tighten the screws in sequence with a torque wrench. The fastening torque depends on the size of the screw (→ Chap. 4.2).
3. If possible open the valve approx. 5° right before installing.
4. Make sure that the sealing areas of the counterflange are clean and parallel situated.
5. Make sure that the butterfly valve and the gaskets are correctly centered and that correct quality is used. By a good shut-off function the pressure of the counterflange is transmitted through the gasket to the cover plate (→ Fig.5-5).

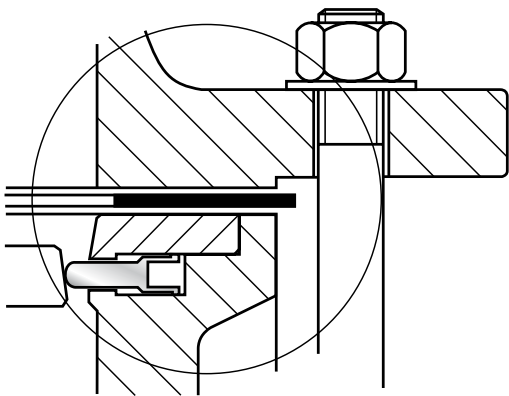


Fig.5-5 Flanges and gaskets

6. Tighten flange screws (→ Chap. 4.2).
7. Leave the butterfly valve in closed position when the installation is finished. The butterfly valve is now ready for operation.

5.3 Start up

1. Always start up the system only with closed butterfly valve.
2. Be sure that the system is clean before starting up. Impurities may damage the seat immediately and in addition cause a leakage of the butterfly valve.
3. The valve should be fully opened at the last flushing by cleaning the system.
4. Check the stuffing box and in case of leakage, tighten the nuts of the stuffing box gland (→ Tab.4-4).



5.4 Disassembly of the pneumatic actuator

Note

Observe also the detailed information in the operating manual of the actuator Mi-503EN.



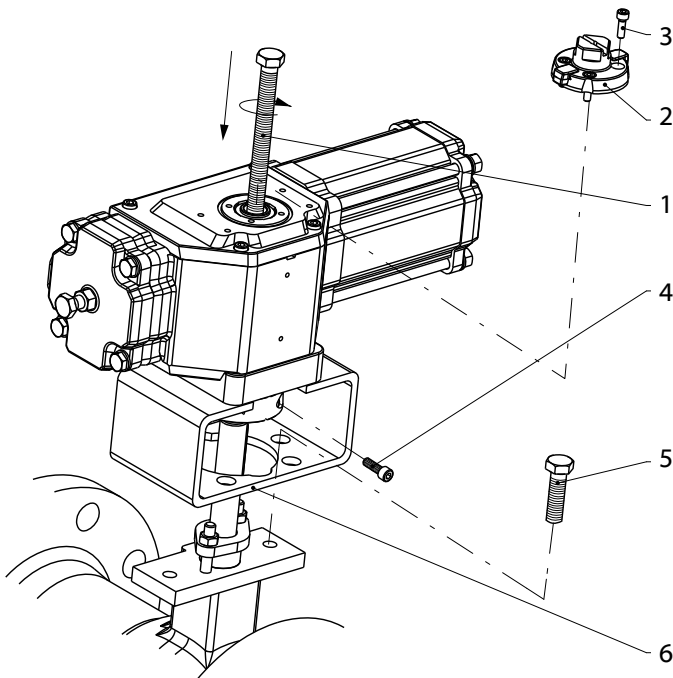
Warning!

Before assembling or disassembling the pneumatic actuator of a butterfly valve installed in the pipeline depressurise the relevant valve in the pipeline system, isolate the valve and remove the medium before working on the valve.
The pressurised medium may lead to injuries to personnel.



Warning!

Before carrying out maintenance or repair work on the valve with actuator as well as installation and disassembly of the butterfly valve in the pipeline, always disconnect the compressed air supply to the actuator.
Single action actuators may move to "open" or "closed" position without being connected to the air system.



1 Puller
2 Driver

3 Screw
4 Clamping ring bolts

5 Bolt
6 Bracket

Fig.5-6 Disassembly of the actuator (schematic diagram)



Use a puller to disassemble the actuator from the butterfly valve. This prevents damage to the seat and the butterfly of the valve.

Pullers

Actuator size	A11	A13	A21	A22	A23	A24	A31	A32
Article no.	34786	34786	34786	34786	34786	34786	34787	34787
Actuator size	A33	A34	A41	A42	A43	A44	A51	A52
Article no.	34787	34787	34788	34788	34788	34788	34788	34788

1. Undo the clamping ring bolts (→ Fig.5-6/4).
2. Remove the accessory parts such as positioners and end position limit switches.
3. Remove the screws (→ Fig.5-6/3), to remove the driver (→ Fig.5-6/2).
4. Remove the bracket (→ Fig.5-6/6) from the butterfly valve by removing the bolts (→ Fig.5-6/5).
5. Press the actuator off the valve with the puller (→ Fig.5-6/1). Turn the puller in until the actuator can be removed from the valve shaft.
6. Lift the actuator off and turn the puller out again.

5.5 Positioning of the shaft with disassembled actuator

A line at the end of the shaft, marks the position of the butterfly in the butterfly valve. The line must be parallel to the butterfly valve body, when the valve is closed and the key in the flow direction points to the right (→ Fig.5-7).

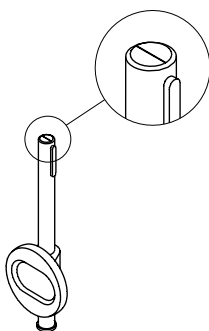


Fig.5-7 Marking (at the end of the shaft)

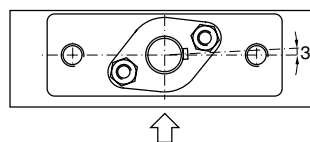


Fig.5-8 Slot angle

To ensure that the valve in combination with an actuator without overtravel achieves the closing position (→ Fig.5-8) the slot of the key is turned out of the centre line approx. 3°.

The tightness of the butterfly valve depends on the closing torque.



5.6 Assembly of the pneumatic actuator

Note

Observe also the detailed information in the operating manual of the actuator Mi-503EN.



Warning!

Before assembling or disassembling the pneumatic actuator of a butterfly valve installed in the pipeline depressurise the relevant valve in the pipeline system, isolate the valve and remove the medium before working on the valve.
The pressurised medium may lead to injuries to personnel.



Warning!

Before carrying out maintenance or repair work on the valve with actuator as well as installation and disassembly of the butterfly in the pipeline, always disconnect the compressed air supply to the actuator.
Single action actuators may move to "open" or "closed" position without being connected to the air system.



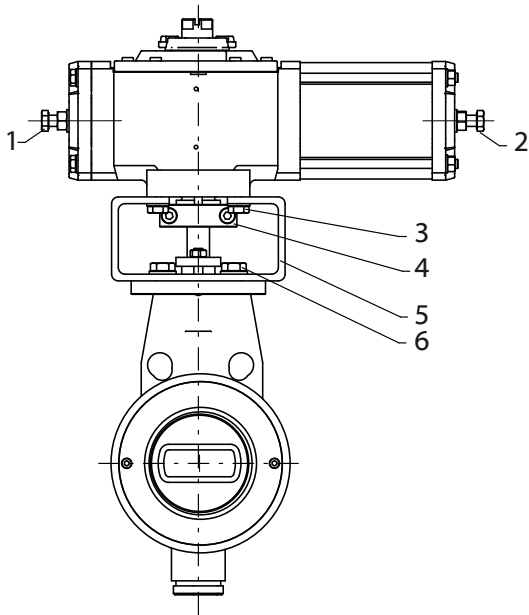


Danger!

Risk of injury!

Observe movements of the valve disc.

Keep hands, tools and other objects away from the area where the valve disc moves. The valve with valve disc mounted may work as a cutting tool. Do not leave any foreign objects in the valve body. The valve disc of the butterfly valve always works as a separate device. There is no difference whether an actuator is installed or not. The position of the disc may change during transport or handling of the butterfly valve.



- | | |
|-----------------|-----------------|
| 1 End stop bolt | 4 Clamping ring |
| 2 End stop bolt | 5 Bracket |
| 3 Bolt | 6 Bolt |

Fig.5-9 Assembly of the actuator (schematic diagram)



5.6.1 Actuator mounting alternatives

Following mounting positions are possible:

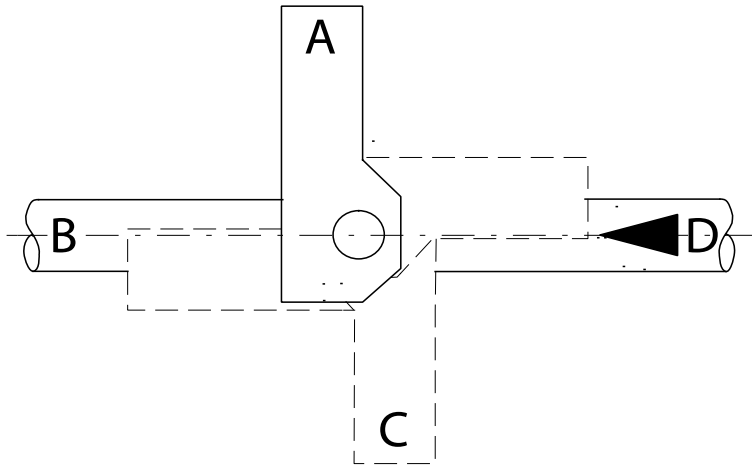


Fig.5-10 Actuator mounting position

Note

To prevent damage, do not fit the actuator with force.








1. Make sure that the butterfly valve is closed when using double acting and closing spring loaded actuators.
2. Make sure that the butterfly valve is open when using opening spring loaded actuators.
3. Lubricate the shaft and the key.
4. Fix the bracket to the actuator using the screws (→ Fig.5-9/3).
5. Assemble the actuator with the bracket on the desired position (A, B, C or D) (→ Fig.5-9) onto the shaft of the butterfly valve body. Fix the unit with the screws (→ Fig.5-9/6).
6. Connect the shaft's end of the butterfly valve to the actuator using the clamping ring (→ Fig.5-9/4). Assemble the clamping ring so that the yellow markings show the position of the butterfly. When the valve is closed, the markings must have an offset of 90° to the flow direction.
7. Tighten the bolts at the clamping ring (→ Fig.5-9/4).
8. Adjust the end positions afterwards (→ Chap. 6.6).



6 Maintenance

6.1 Disassembly of the butterfly valve from pipeline

<p>Attention!</p> <p>The disassembling of the butterfly valve is usually made with full installed actuator. The disassembly is made by closing spring loaded and double acting actuators with closed butterfly valve, by opening spring loaded actuators with open butterfly valve.</p> <p>At opening spring loaded actuators, a short adapter with additional flanges is to be installed in the pipeline immediately in front of and behind the valve.</p>	
<p>Warning!</p> <p>Before carrying out maintenance or repair work on the butterfly valve with actuator or installation and removal of the butterfly valve from the pipeline, always disconnect the compressed air supply to the actuator.</p> <p>Single action actuators may move to “open” or “closed” position without being connected to the air system.</p>	
<p>Warning!</p> <p>Inform yourself of the properties of the medium. Protect yourself and your environment from hazardous or poisonous substances.</p> <p>Observe the safety instructions in the safety data sheets of the manufacturers.</p> <p>Ensure that no medium can enter the pipeline during maintenance work.</p>	
<p>Warning!</p> <p>Do not remove the valve from the line as long as the valve is under pressure!</p> <p>Dismantling or disassembly of a valve under pressure leads to an uncontrolled pressure drop.</p> <p>Always isolate the relevant valve in the pipeline system; depressurise the valve and remove the medium before working on the valve.</p>	
<p>Warning!</p> <p>When transporting and handling the valve, observe the weight of the valve or of the whole unit.</p> <p>Never lift the valve by its positioner, limit switch, solenoid valve or piping. Place the hoisting ropes securely according to lift instruction.</p> <p>The valve or parts thereof may injure persons if dropped.</p> <p>Do not walk under suspended loads.</p>	

Procedure

1. Seal off the pipeline section containing the butterfly valve.
2. Depressurise the sealed off pipeline section.
3. Drain the pipeline section.
4. If necessary purge the pipeline section.



5. Set butterfly valves double acting actuators in closed position.
6. Remove the compressed air supply to the actuator.
7. Control the temperature of both pipeline and butterfly valve. Let cool down the pipeline and the butterfly valve to the ambient temperature if necessary.
8. Ensure the butterfly valve against falling (→ Fig.5-1).
9. If the butterfly valve is equipped with double acting or closing spring loaded actuators dismantle the connection between valve and piping.
10. If the butterfly valve is equipped with an opening spring loaded actuator, remove the complete butterfly valve with the spacers assembled on each side (→ Chap. 5.2).

6.2 Maintenance

Regular maintenance is necessary to be able to operate the butterfly valve with maximum efficiency and low operating costs. SOMAS products enable trouble-free operation and are very low-maintenance.

Check the butterfly valve, the actuator and accessory parts regularly to ensure safe, trouble-free operation. The tightening torques of the boltings on the flanges must be checked in accordance with the specifications of the gasket manufacturer and tightened if necessary. The stuffing box must be checked regularly and re-tightened if necessary. The most important replacement parts are contained in the SOMAS replacement part set. The gasket set contains all necessary seals and sealing rings for basic repair of the valve. The repair kit contains a seal kit as well as bearings, ball segments etc. for a complete overhaul of the valve.

Note

Note down the details of the type plate (→ Fig.6-1) before contacting the contact partners given in the order confirmation.

Only use original replacement and wear parts from SOMAS Instrument AB.

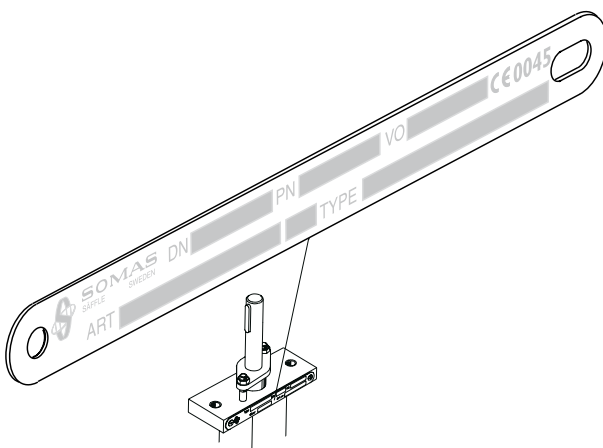
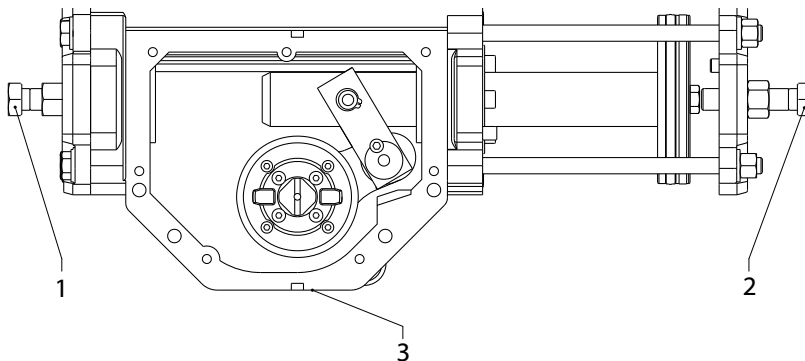


Fig.6-1 Type plate



6.2.1 Procedure to evaluate a leakage on a butterfly valve installed in a pipeline

1. Open the butterfly valve entirely, to flush out existing particles on the sealing areas.
2. Make sure that no impurities was clamped between the seat and the disc.
3. Close the butterfly valve.



1 End position bolt "open" position 2 End position bolt "closed" position 3 Type plate

Fig.6-2 End position bolts on pneumatic actuator

If the leakage remains futhermore, open the valve slightly:

Loosen the end position bolts "closed" (→ Fig.6-2/2) of the pneumatic actuator and turn this a fourth-turn anticlockwise. Test the valve. Repeat the procedure until the valve is tight. If the end position bolt was loosened more than three turns, and the butterfly valve remains leaking, the seat is damaged and has to be replaced.

Tighten the lock nut of the end position bolt, if the butterfly valve is tight.

6.3 Installation and disassembly of the stuffing box

1. Check the stuffing box after starting up and after this regularly. Retighten the nuts of the stuffing box gland if necessary (→ Fig.6-3/1).
- ⇒ The stuffing box package must be replaced if leaks can no longer be eliminated by tightening the nuts.

Changing the stuffing box is normally a part of valve overhaul. Follow applicable safety instructions concerning dismantling of the butterfly valve from pipeline (→ Chap. 6.1) and dismantling the pneumatic actuator from the ball segment valve (→ Chap. 5.4).

When indicated it is possible to change the stuffing box if the butterfly valve is installed in the pipeline. For this regard the following safety instructions.

**Warning!**

Before replacing the stuffing box of a butterfly valve installed in the pipeline depressurise the relevant butterfly valve in the pipeline system, isolate the butterfly valve and remove the medium before working on the butterfly valve.
The pressurised medium may lead to injuries to personnel.

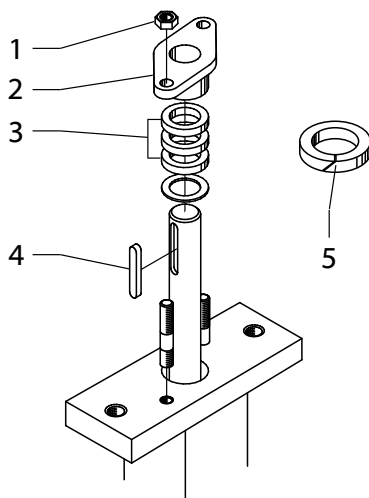
**Warning!**

Before carrying out maintenance or repair work on the butterfly valve with actuator or installation and removal of the butterfly valve from the pipeline, always disconnect the compressed air supply to the actuator.
Single action actuators may move to "open" or "closed" position without being connected to the air system.

**Installation and disassembly**

When using PTFE stuffing boxes, the actuator is always to be disassembled (→ Chap. 5.4).

When using graphite stuffing boxes, the actuator can remain installed. In this case you can install the graphite rings by cutting through them at an angle and then carefully pushing them over the shaft (→ Fig.6-3/5).



- | | | |
|----------------------|-----------------------|------------------|
| 1 Nut | 3 Graphite/PTFE rings | 5 Graphite rings |
| 2 Stuffing box gland | 4 Key | |

Fig.6-3 Assembly of the stuffing box

1. Remove the key (→ Fig.6-3/4) and undo the nuts (→ Fig.6-3/1).
2. Remove the stuffing box gland (→ Fig.6-3/2) and insert the graphite rings (→ Fig.6-3/5).
3. Fix the stuffing box gland again with the nuts.
4. Tighten the nuts alternately, but not too tight.
5. Insert the new key.



6.4 Replacing the seat (standard metal seat)

To replace the seat, the complete valve assembly is dismantled from the pipeline and the actuator is dismantled from the valve (→ Chap. 6.1).

Attention!

To change the seat, the butterfly valve has to be safely fixed in a fastening device!



Danger!

Risk of injury!

Observe movements of the disc.

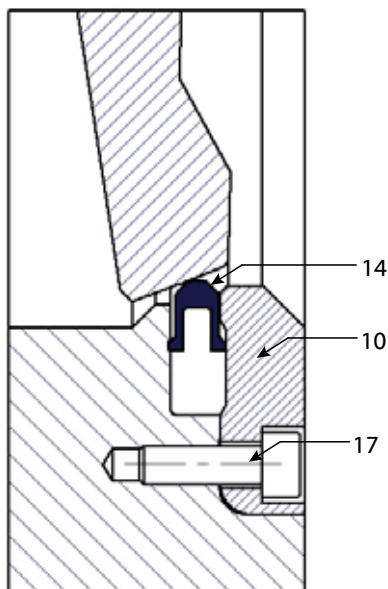
Keep hands, tools and other objects away from the area where the disc moves when the actuator is connected to compressed air system. Single action actuators may move to "open" or "closed" position without being connected to the air system.



Warning!

Before carrying out maintenance or repair work on the valve with actuator as well as installation and disassembly of the butterfly valve in the pipeline, always disconnect the compressed air supply to the actuator.

Single action actuators may move to "open" or "closed" position without being connected to the air system.



17 Screw

14 Seat

10 Cover plate

Fig.6-4 Replacing the seat



6.4.1 Disassembly

Note

The replacement of the seat should be made with installed actuator.



Attention!

The seat disassembly is made by closing spring loaded and double acting actuators with closed valve, by opening spring loaded actuators with open valve.



Procedure

1. Loosen the screws (→ Fig.6-4/17) and remove the cover plate (→ Fig.6-4/10).
2. Lift the seat (→ Fig.6-4/14) out of the butterfly valve.

6.4.2 Cleaning, lubrication and assembly

1. Clean the seat area and cover plate and make sure that the disc periphery is undamaged. Any damage can quickly destroy a new seat. Small scratches on the disc edge can be removed by lightly polishing the edge with fine emery cloth.
2. Lubricate the screws (→ Fig.6-4/17) with molybdenum disulphide paste.
3. Insert in the new seat (→ Fig.6-4/14).
4. Refit the cover plate (→ Fig.6-4/10).
5. Tighten screws (→ Fig.6-4/17) in rotating order.
6. Check the “closed” position of the butterfly valve and adjust if necessary by setting the end position bolt on the actuator (→ Chap. 6.6).



6.5 Replacing the PTFE seat

To replace the seat, the complete valve assembly is dismantled from the pipeline and the actuator is dismantled from the valve (→ Chap. 6.1).

Attention!

To change the seat, the butterfly valve has to be safely fixed in a fastening device!



Danger!

Risk of injury!

Observe movements of the disc.

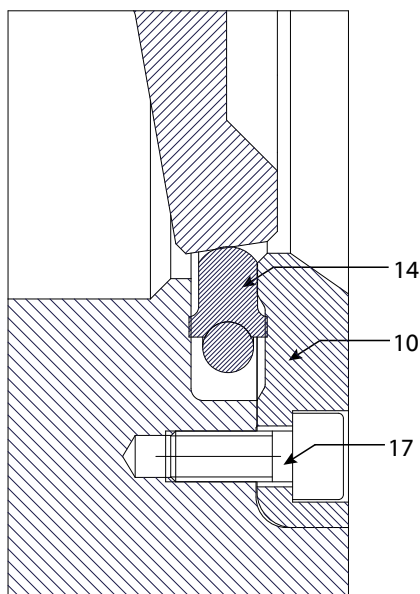
Keep hands, tools and other objects away from the area where the disc moves when the actuator is connected to compressed air system. Single action actuators may move to "open" or "closed" position without being connected to the air system.



Warning!

Before carrying out maintenance or repair work on the valve with actuator as well as installation and disassembly of the butterfly valve in the pipeline, always disconnect the compressed air supply to the actuator.

Single action actuators may move to "open" or "closed" position without being connected to the air system.



17 Screw

14 Seat

10 Cover plate

Fig.6-5 Replacing the PTFE seat



6.5.1 Disassembly

Note

The replacement of the seat should be made with installed actuator.



Attention!

The seat disassembly is made by closing spring loaded and double acting actuators with closed valve, by opening spring loaded actuators with open valve.



Procedure

1. Loosen the screws (→ Fig.6-5/17) and remove the cover plate (→ Fig.6-5/10).
2. Remove the seat (→ Fig.6-5/14).

6.5.2 Cleaning, lubrication and assembly

1. Clean the seat area and cover plate and make sure that the disc periphery is undamaged. Any damage can quickly destroy a new seat. Small scratches on the disc edge can be removed by lightly polishing the edge with fine emery cloth.
2. Lubricate the screws (→ Fig.6-5/17) with molybdenum disulphide paste.
3. Insert the new seat and the new support ring.

Attention!

Damage of the seat and support ring!



4. Refit the cover plate (→ Fig.6-5/10).
5. Tighten screws (→ Fig.6-5/17) in rotating order.
6. Check the “closed” position of the butterfly valve and adjust if necessary by setting the end position bolt on the actuator (→ Chap. 6.6).



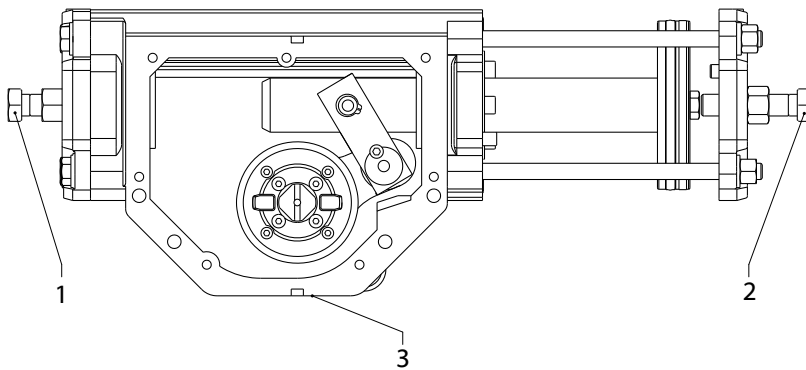
6.6 Adjustment of the end positions

Danger!

Risk of injury!

Observe movements of the disc.

Keep hands, tools and other objects away from the area where the disc moves when the actuator is connected to compressed air system. Single action actuators may move to "open" or "closed" position without being connected to the air system.



1 End position bolt "open" position 2 End position bolt "closed" position 3 Type plate

Fig.6-7 End position bolts on pneumatic actuator

Attention!

Damage to PTFE seats!

While adjusting disc valves equipped with PTFE seats keep attention not to close the valve to firm. This causes damage to the seat!





6.6.1 Setting of the “closed” position with type MTV

1. Connect compressed air via a pressure reduction valve. Adjust the pressure to 3 bar.
2. Operate the valve to test. Leave it in the closed position.
3. If the valve is not mounted in the pipe line, make a visual check the disc edge is in contact with the seat.
4. If the valve is mounted in the pipe line, check for leakage across closed valve.
5. The design of the valve is such that increased surface pressure between seat and disc will reduce leakage. Do not increase surface pressure more than necessary.
6. If the points 4 or 5 above require some action please see procedure below.

Procedure

1. Loosen the nut of the end position bolt (→ Fig.6-7/2) and turn the end position bolt 0.25 turns counterclockwise.
2. Repeat point 2 above.
3. Repeat point 3 alternative 4 above.
4. When the set-up is correct, apply sealing tape and tighten the lock nut.
5. If the valve is outside the pipe line is preferable to make a leakage test (Chap. 6.7).

6.6.2 Setting of the “open” position with type MTV

1. Connect compressed air via a pressure reducing valve 4-5,5 bar depending on actuator specification.
2. Operate the valve to test.
3. Check if the valve opens to the desired position.

In case of shut off/on application the max. opening angle of the butterfly valve is about 80°.

In case of control application the max. opening angle is about 60°-80°.

Procedure

1. If the butterfly does not reach the position, loosen the lock nut of the end position bolt and turn the end position bolt (→ Fig.6-7/1) 1-2 turns counterclockwise.
2. If the butterfly rides over the position, loosen the lock nut of the end position bolt and turn the end position bolt (→ Fig.6-7/1) 1-2 turns clockwise.
3. Operate the valve to test.
4. When the correct setting is reached, attach thread seal tape and tighten the locknut.



6.7 Leak test of the valve

Each valve should be tested for leakage after maintenance work on the seat.

Danger!

Risk of injury!

Observe movements of the disc.

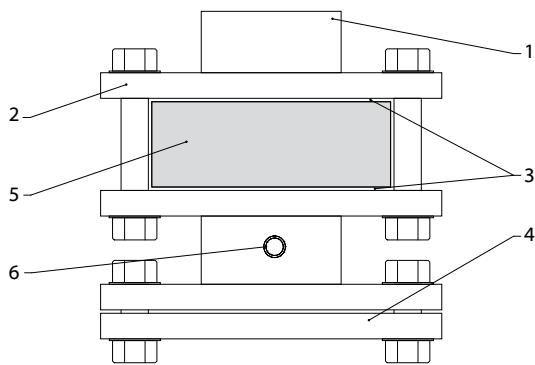
Keep hands, tools and other objects away from the area where the disc moves when the actuator is connected to compressed air system. Single action actuators may move to "open" or "closed" position without being connected to the air system.



The valve has to be installed between the flanges for the test procedure with a prescribed torque (→ Tab.6-1).

1. The butterfly valve can be tested with a testing device as in (→ Fig.6-8) shown.

⇒ Please consult Pressure testing instruction Mi-901 EN.



- | | | |
|------------------|------------------|--------------------|
| 1 Piece of pipe | 3 Flange gaskets | 5 Butterfly valve |
| 2 Counter flange | 4 Blind flange | 6 Water connection |

Fig.6-8 Leak test device (schematic diagram for wafer valve types)

In case of leakage the valve must be adjusted again (→ Chap. 6.6).

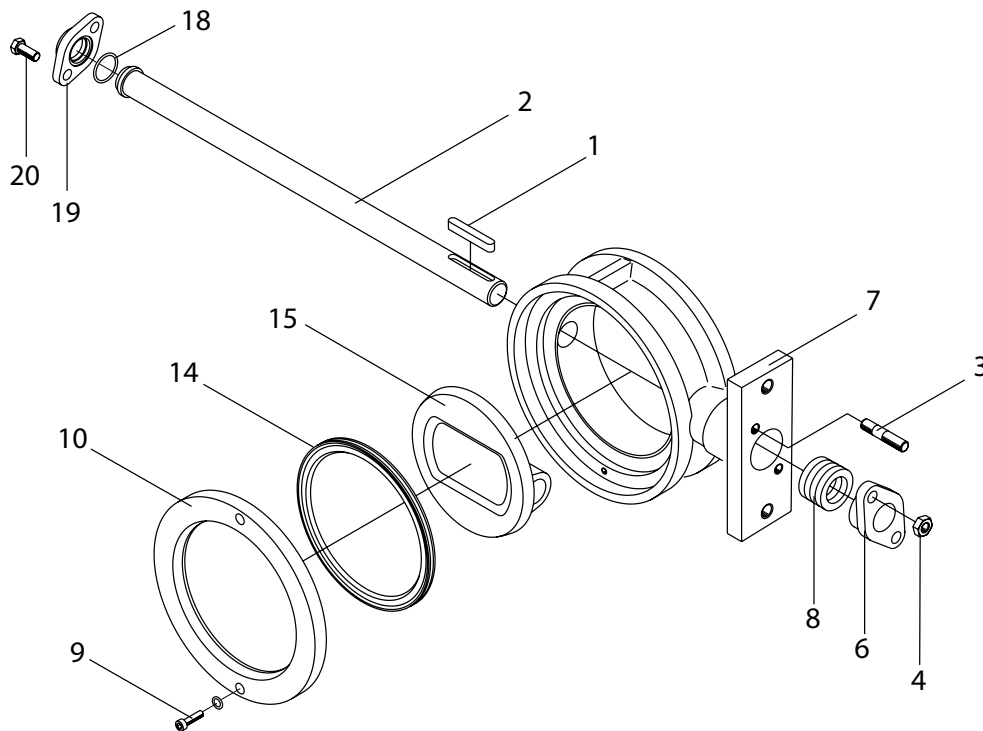
Nominal size DN	Max. differential pressure (closed valve)	Gaskets [mm]		Force of pressure total [t]	Torque [Nm]
		∅ inside	∅ outside		
80	25	89	142	5	100-120
100	25	115	168	10	120-165
125	25	141	194	15	180-220
150	25	169	224	20	200-250
200	25	220	284	25	250-290
250	25	273	340	30	400-500
300	25	324	400	40	500-620
350	20	356	457	50	800-1000
400	20	407	514	65	1000-1350
450	16	458	564	90	1350-1900
500	15	508	624	100	1900-2700

Tab.6-1



6.8 Components

6.8.1 MTV DN 80-150, with metal seat



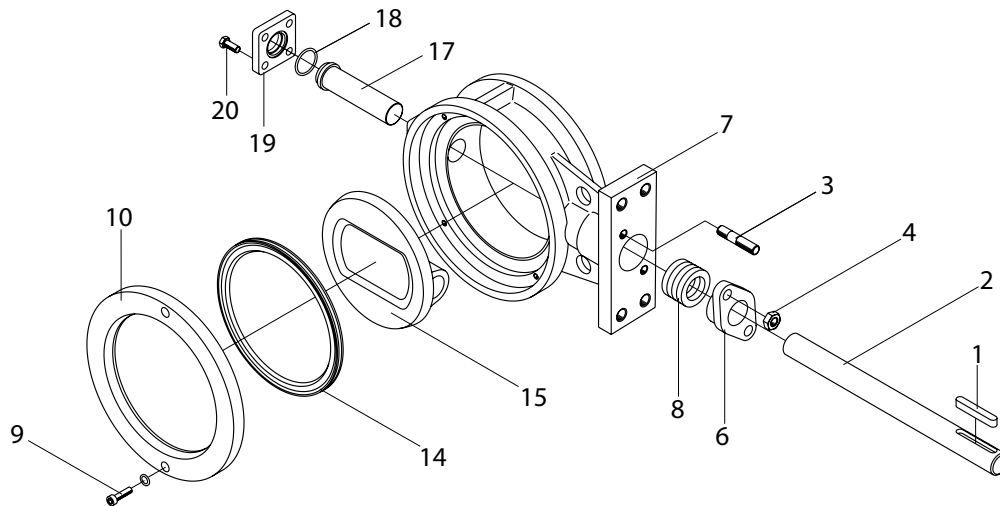
1 Key	7 Valve body	15 Disc
2 Shaft	8 Stuffing box kit	18 Gasket
3 Stud	9 Screw	19 Plug
4 Nut	10 Cover plate	20 Screw
6 Stuffing box gland	14 Seat	

Fig.6-9 MTV DN 80-150, with metal seat

Following parts are included in the sealing kit for valves with metal seat:
DN 80-150: Pos. No. 1, 8, 14 and 18.



6.8.2 MTV DN 200-300, with metal seat



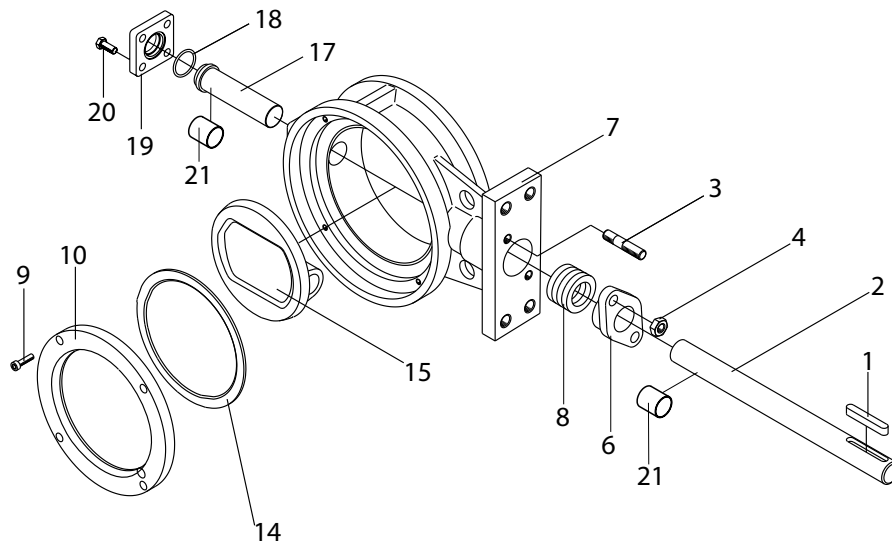
1 Key	8 Stuffing box kit	18 Gasket
2 Shaft, upper (DN 200-500)	9 Screw	19 Plug
3 Stud	10 Cover plate	20 Screw
4 Nut	14 Seat	
6 Stuffing box gland	15 Disc	
7 Valve body	17 Shaft, lower (DN 200-500)	

Fig.6-10 MTV DN 200-300, with metal seat

Following parts are included in the sealing kit for valves with metal seat:
DN 200-300: Pos. No. 1, 8, 14 and 18.



6.8.3 MTV DN 350-500, with metal seat



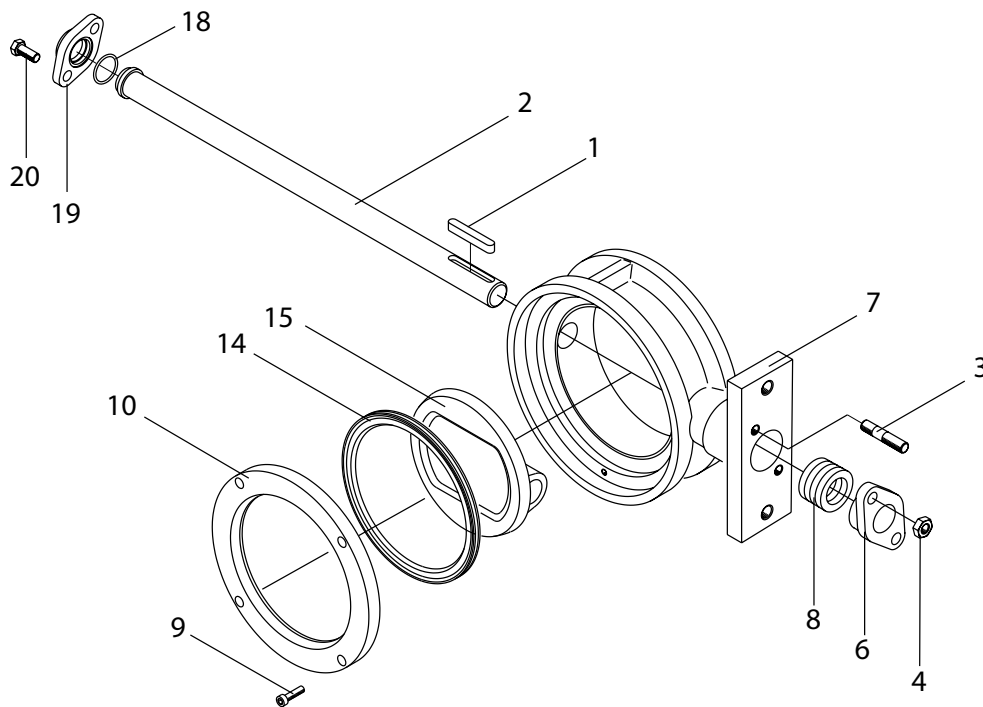
- | | | |
|-----------------------------|------------------------------|-------------|
| 1 Key | 8 Stuffing box kit | 18 Gasket |
| 2 Shaft, upper (DN 200-500) | 9 Screw | 19 Cover |
| 3 Stud | 10 Cover plate | 20 Screw |
| 4 Nut | 14 Seat | 21 Bearings |
| 6 Stuffing box gland | 15 Disc | |
| 7 Valve body | 17 Shaft, lower (DN 200-500) | |

Fig.6-11 MTV DN 350-500, with metal seat

Following parts are included in the sealing kit for valves with metal seat:
DN 350-500: Pos. No. 1, 8, 14 and 18.



6.8.4 MTV DN 80-150, with PTFE seat



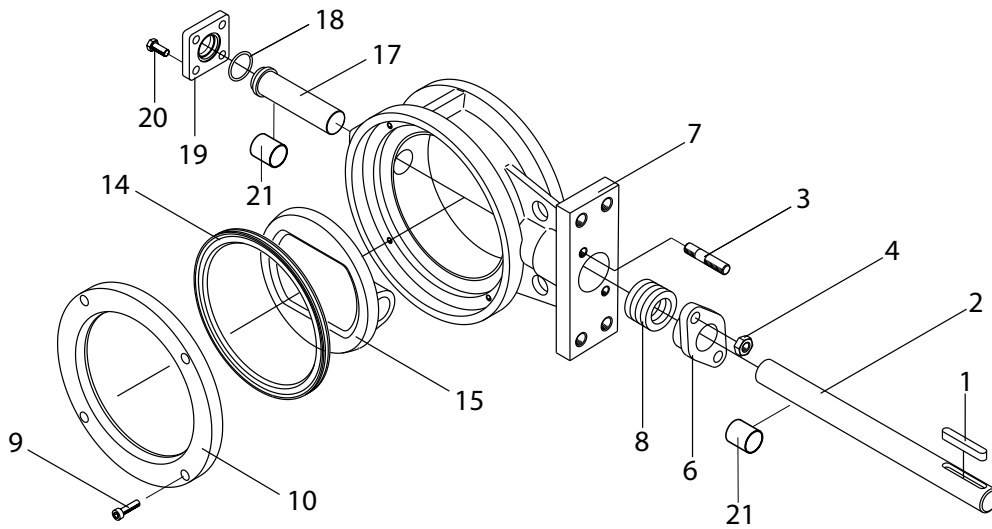
1 Key	8 Stuffing box kit	19 Plug
2 Shaft	9 Screw	20 Screw
3 Stud	10 Cover plate	
4 Nut	14 Seat complete	
6 Stuffing box gland	15 Disc	
7 Valve body	18 Gasket	

Fig.6-12 MTV DN 80-150, with PTFE seat

Following parts are included in the sealing kit for valves with PTFE seat:
DN 80-150: Pos. No. 1, 8, 14 and 18.



6.8.5 MTV DN 200-500, with PTFE seat



1 Key	8 Stuffing box kit	18 Gasket
2 Shaft, upper	9 Screw	19 Plug
3 Stud	10 Cover plate	20 Screw
4 Nut	14 Seat complete	21 Bearings DN 350-500
6 Stuffing box gland	15 Disc	
7 Valve body	17 Shaft, lower	

Fig.6-13 MTV DN 200-500, with PTFE seat

Following parts are included in the sealing kit for valves with PTFE seat:
DN 200-500: Pos. No. 1, 8, 14 and 18.



7 Product key

MTV - A 5 - A A D - A 1 1 - DN... - PN...

<p>1 Type of valve <i>Wafer design</i> MTV <i>Flanged design</i> MTVF <i>Lugged design</i> MTVL</p> <p>2 Valve body design A = Wafer design acc. to EN 558-1, Series 20 F = Lugged design L = Flanged design</p> <p>3 Nominal pressure 5 = PN 25</p>	<p>4 Material – valve body A = 2343-12 (CF8M)</p> <p>5 Material – disc A = 2343-12</p> <p>6 Material – seat A = PTFE (10% carbon) D = 1.4470 (metal seat, type Y) L = HiNi (High Nickel alloy)</p> <p>7 Material – shaft A = 1.4460 B = 1.4460, hard chromed</p>	<p>8 Bearing – valve body/shaft 1 = Without bearing 6 = 1.4547 7 = 1.4539</p> <p>9 Stuffing box 1 = Graphite 2 = PTFE</p> <p>10 Valve size, DN</p> <p>11 Drilling, counter flanges PN/Class</p>
---	---	---

Tab.7-1 Description product key

SOMAS Instrument AB
Norrlandsvägen 26
SE-661 40 SÄFFLE
Sweden

Phone: +46 (0)533-167 00
Fax: +46 (0)533-141 36
E-mail: sales@somas.se



www.somas.se

