

Float and thermostatic steam trap

Threaded connection
Flange connection

Model 241-243
Model 244



To extract saturated or super-heated medium or low pressure steam condensates.

Applicable to: steam piping, heat exchangers, plants with automatic temperature control, etc., in the chemical and petrochemical industries, etc.

Specifications

- Operates with a float valve that opens to condensate accumulation and transports it. It also incorporates a thermostatic element that allows for the automatic elimination of air.
- Materials carefully selected for wear, temperature and corrosion resistance.
- Simple construction.
- Compact, robust. Reduced weight and size, which facilitate storage.
- Designed to select the suitable purger according to the requirements in each case and to avoid over-dimensioning. Without any doubt, this is the most versatile of the entire steam traps range for both small and large flow rates. Able to continually discharge high-pressure condensate.
- It evacuates at practically the steam temperature, which guarantees maximum heat transfer.
- Precise opening and closing, preventing steam losses.
- Simple installation. All models are supplied for horizontal installation and left-to-right pass flow. Simply by rotating the steam trap 180° in the same plane will invert the flow direction. On Model 241, modifying the body position with respect to the cover enables the steam trap to be adjusted for left-to-right, right-to-left or vertical descending flow.
- The ratings plate provides information on the service and installation conditions.
- Silent running.
- Insensitive to vibration, water hammers, reheated steam, corrosive condensate and icy conditions, etc.
- Back-pressure and condensate temperature variations do not affect it.
- Treated closing surfaces, which are grinded, lapped and burnished in order to achieve a degree of leak-tightness that even exceeds that required by EN 12266-1.
- All purgers are rigorously tested and verified.
- Each component is numbered, registered and monitored. If previously requested, all the certificates for materials, castings, tests and performances will come with the steam trap.

IMPORTANT

On order:

- Fitted with steam anti-blocking device.
- Option for manufacturing in other materials for special working conditions (high temperatures, fluids, etc).
- Insulating jackets to prevent radiation losses caused mainly by inclement weather conditions.
- Special fitting for draining fluids in air or gas lines.



Model 241



Model 243

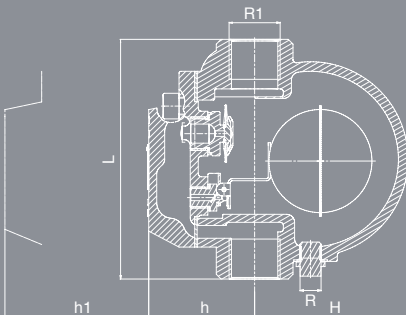


Model 244

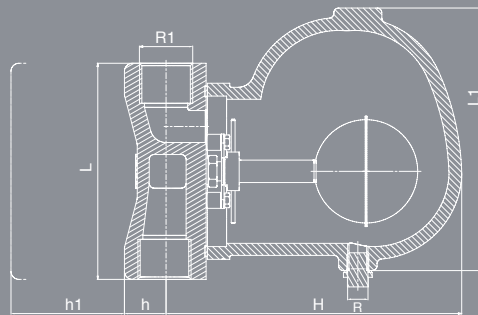
EN ASME/FNPT ASME/SW ASME/ANSI

PIECE N°.	PIECE	MATERIAL		
		MODEL 241	MODEL 243	MODEL 244
		CAST IRON	CARBON STEEL	CARBON STEEL
1	Body	Cast iron (EN-5.1301)	Carbon steel (EN-1.0619)	
2	Cover	Cast iron (EN-5.1301)	Carbon steel (EN-1.0619)	
3,28	Seal		Klingerit-type cardboard	
4	Screw		Carbon steel (EN-1.1191)	
5	Plate		Stainless steel (EN-1.4301)	
6	Rivet	Carbon steel (EN-1.1141)		
7	Plug		Carbon steel (EN-1.1181)	
8,10,15	Seal		Copper	
9	Pin	Carbon steel (EN-1.1141)		
11	Aerator body		Stainless steel (EN-1.4301)	
12	Aerator base		Stainless steel (EN-1.4301)	
13	Aerator cover		Stainless steel (EN-1.4301)	
14	Safety ring		Stainless steel (EN-1.4301)	
16	Seating		Stainless steel (EN-1.4028)	
17	Spacer		Stainless steel (EN-1.4301)	
18,29	Support		Stainless steel (EN-1.4301)	
19	Pin		Stainless steel (EN-1.4301)	
20,25,26,27	Screw		Stainless steel (EN-1.4301)	
21	Spring	Stainless steel (EN-1.4301)		
22	Valve		Stainless steel (EN-1.4028)	
23	Arm		Stainless steel (EN-1.4301)	
24	Buoy		Stainless steel (EN-1.4301)	
30	Pin		Stainless steel (EN-1.4301)	
31	Elbow		Stainless steel (EN-1.4028)	
	R1	1/2" to 1" (GAS,NPT)	1/2" to 1", 1 1/2" and 2" (GAS,NPT,SW)	
	DN		15 to 25,40 and 50 (EN,ANSI)	
SERVICE CONDITIONS	MAX. ACCEPTABLE PRESSURE IN bar	16	16	
	MAX. ACCEPTABLE TEMPERATURE IN °C	220	220	
	MAX. SERVICE PRESSURE IN bar	14	14	
	MAX. SERVICE TEMPERATURE IN °C	220	220	
	MAX. BODY PRESSURE IN bar		20	
	MAX. BODY TEMPERATURE IN °C		426	

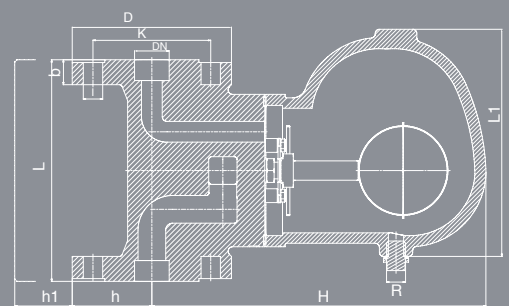
Mod. 241



Mod. 243

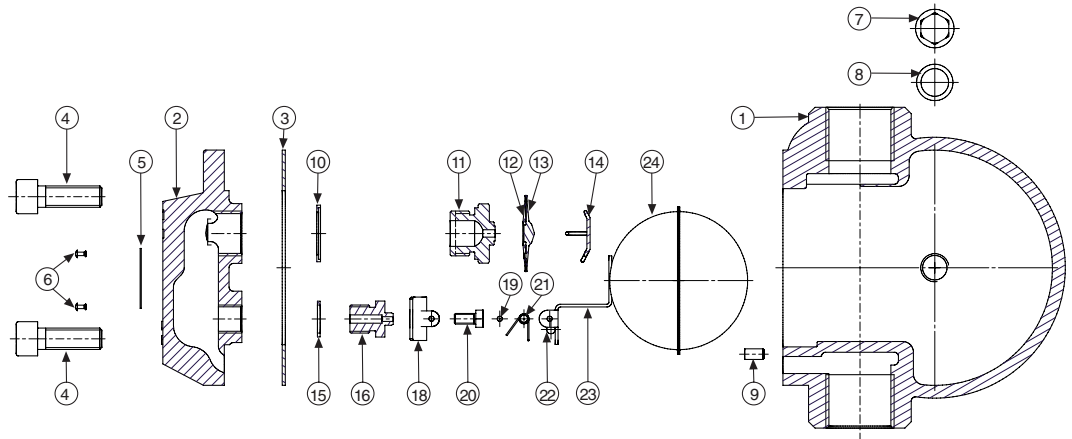


Mod. 244



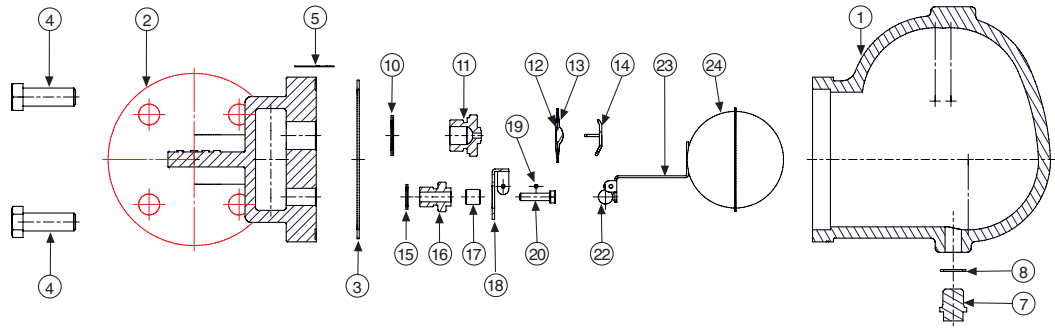
MODEL		241			243						
R1		1/2"	3/4"	1"	1/2"	3/4"	1"	1 1/2"	2"		
CONNECTIONS		Threaded female Gas Whitworth cylindrical ISO 228/1 (DIN-259)									
		NPT thread, ANSI/ASME B1.20.1									
		Ends for welding SW ASME B16.11									
H		84	84	96	135	135	186	284	284		
h		58,00	58,00	65,00	22,50	22,50	25,00	40,00	40,00		
h1		110	110	110	100	100	135	225	225		
L		130	135	150	100	120	135	250	250		
L1		-	-	-	104	104	164	270	270		
R		1/4"									
		Threaded female Gas Whitworth cylindrical ISO 228/1 (DIN-259)									
WEIGHT IN kgs.		3,30	3,30	4,30	4,50	4,50	7,50	31,00	31,00		
CODE 2108 -	GAS	MAXIMUM PRESSURE DIFFERENTIAL IN bar	4,5	241.50261	241.53461	241.51061	243.50241	243.53441	243.51041	243.51241	243.52041
			10	241.50262	241.53462	241.51062	243.50242	243.53442	243.51042	243.51242	243.52042
			14	241.50263	241.53463	241.51063	243.50243	243.53443	243.51043	243.51243	243.52043
	NPT	MAXIMUM PRESSURE DIFFERENTIAL IN bar	4,5	241.502611	241.534611	241.510611	243.502411	243.534411	243.510411	243.512411	243.520411
			10	241.502621	241.534621	241.510621	243.502421	243.534421	243.510421	243.512421	243.520421
			14	241.502631	241.534631	241.510631	243.502431	243.534431	243.510431	243.512431	243.520431
	SW	MAXIMUM PRESSURE DIFFERENTIAL IN bar	4,5				243.502412	243.534412	243.510412	243.512412	243.520412
			10				243.502422	243.534422	243.510422	243.512422	243.520422
			14				243.502432	243.534432	243.510432	243.512432	243.520432

Mod. 241 1/2", 3/4" and 1"



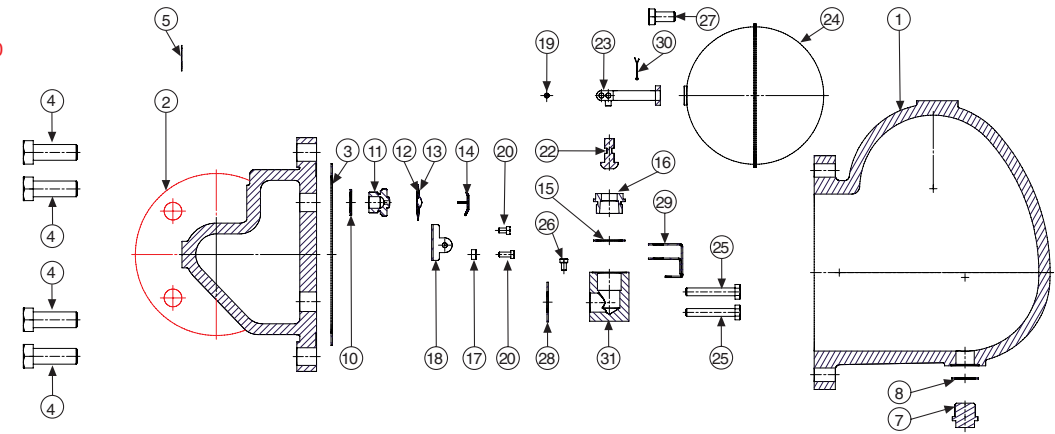
Mod. 243 1/2", 3/4" and 1"

Mod. 244 DN 15,
DN 20 and DN 25



Mod. 243 1 1/2" and 2"

Mod. 244 DN 40 and DN 50



MODEL		244																	
DN		15			20			25			40			50					
CONNECTIONS		I - Flanges PN-40 EN-1092-1																	
		II - Flanges class 150 lbs ASME/ANSI B 16.5																	
		III - Flanges class 300 lbs ASME/ANSI B 16.5																	
		I	II	III	I	II	III	I	II	III	I	II	III	I	II	III			
H		135						241						343					
h		47,50	45,00	47,50	52,50	50,00	57,50	57,50	55,00	62,50	75,00	62,50	75,00	82,50	77,50	82,50			
h ₁		110						150						230					
L		150						160						230					
L ₁		104						164						270					
D		95	90	95	105	100	115	115	110	125	150	150	150	165	155	165			
K		65,00	60,30	66,70	75,00	69,90	82,60	85,00	79,40	88,90	110,00	98,40	120,70	125,00	114,30	127,00			
l		14,00	15,90	15,90	14,00	15,90	19,10	14,00	15,90	19,10	18,00	15,90	19,10	18,00	22,20	19,10			
b		16,00	11,60	14,70	18,00	13,20	16,30	18,00	14,70	17,90	18,00	17,90	21,10	18,00	19,50	22,70			
NUMBER OF DRILL HOLES		4			4			4			4			4			8		
R		1/4"																	
		Threaded female Gas Whitworth cylindrical ISO 228/1 (DIN-259)																	
WEIGHT IN gs.		5,65			6,15			12,00			35,00			35,00					
CODE 2108 -	FLANGE	PN-16	MAXIMUM PRESSURE DIFFERENTIAL IN bar	4,5	244.50241	244.53441	244.51041	244.51241	244.52041										
				10	244.50242	244.53442	244.51042	244.51242	244.52042										
				14	244.50243	244.53443	244.51043	244.51243	244.52043										
		150 lbs		4,5	244.502411	244.534411	244.510411	244.512411	244.520411										
				10	244.502421	244.534421	244.510421	244.512421	244.520421										
				14	244.502431	244.534431	244.510431	244.512431	244.520431										
	300 lbs	4,5	244.502412	244.534412	244.510412	244.512412	244.520412												
		10	244.502422	244.534422	244.510422	244.512422	244.520422												
		14	244.502432	244.534432	244.510432	244.512432	244.520432												



DISCHARGE CAPACITIES IN kg/h

MODEL	MAXIMUM PRESSURE DIFFERENTIAL IN bar	R1	DN	PRESSURE DIFFERENTIAL IN bar																
				0,5	1	1,5	2	3	4	4,5	5	6	7	8	9	10	11	12	13	14
241	4,5	1/2"-3/4"		200	280	320	350	400	454	495										
	4,5	1"		530	700	750	879	1019	1099	1229										
	10	1/2"-3/4"		135	150	165	180	210	241	255	280	300	350	391	405	420				
	10	1"		230	320	370	420	510	570	600	640	680	710	760	800	820				
	14	1/2"-3/4"		125	140	150	165	190	221	230	246	271	296	325	350	375	404	430	454	482
	14	1"		130	160	180	220	260	300	320	330	360	380	400	430	450	460	475	490	510
243-244	4,5	1/2"-3/4"	15-20	200	280	320	350	400	454	495										
	4,5	1"	25	840	945	1049	1155	1358	1569	1673										
	4,5	1 1/2"-2"	40-50	3022	3272	3521	3787	4295	4795	5056										
	10	1/2"-3/4"	15-20	135	150	165	180	210	241	255	280	300	350	391	405	420				
	10	1"	25	604	654	710	760	870	974	1024	1079	1185	1290	1394	1499	1603				
	10	1 1/2"-2"	40-50	2234	2684	2847	2920	3097	3337	3417	3526	3700	4030	4404	4790	5119				
	14	1/2"-3/4"	15-20	125	140	150	165	190	221	230	246	271	296	325	350	375	404	430	454	482
	14	1"	25	425	454	480	510	565	620	645	675	730	785	839	895	949	1004	1064	1120	1174
	14	1 1/2"-2"	40-50	1944	2268	2538	2777	2972	3097	3176	3251	3367	3620	3887	4125	4366	4586	4795	4994	5190

Installation options

