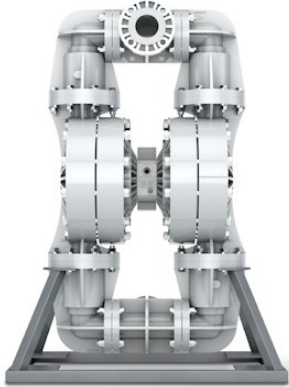


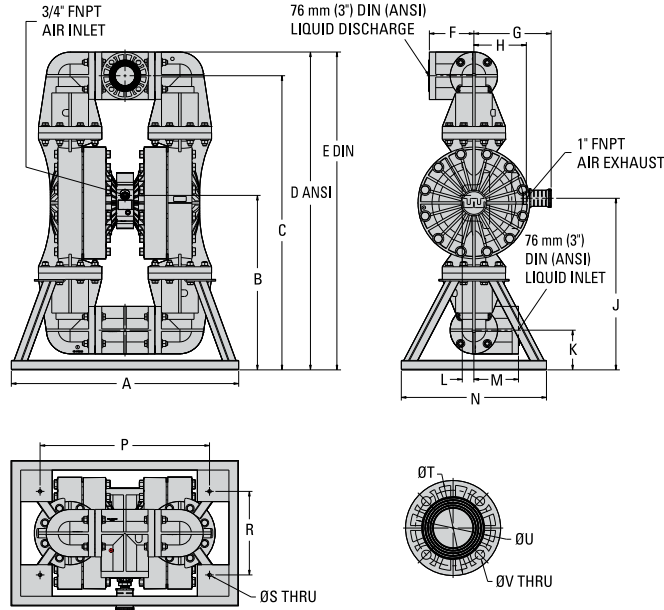
**76 mm (3") Pump**  
**Maximum Flow Rate:**  
**1,024 lpm (271 gpm)**



**PS1500 PLASTIC**

**DIMENSIONAL DRAWING**

**PS1500 Plastic**



**DIMENSIONS**

ITEM	METRIC (mm)	STANDARD (inch)
A	914	36.0
B	702	27.6
C	1183	46.6
D	1279	50.3
E	1283	50.5
F	179	7.1
G	310	12.2
H	211	8.3
J	690	27.2
K	160	6.3
L	47	1.9
M	179	7.1
N	584	23.0
P	681	26.8
R	336	13.2
S	14	0.6
<b>DIN FLANGE</b>		
T	200 DIA.	7.9 DIA.
U	160 DIA.	6.3 DIA.
V	18 DIA.	0.7 DIA.
<b>ANSI FLANGE</b>		
T	191 DIA.	7.5 DIA.
U	152 DIA.	6.0 DIA.
V	19 DIA.	0.8 DIA.

LW0207 REV. B

**PUMP DATA**

**Specifications:**

Ship Weight..Polypropylene 125 kg (275 lb)  
PVDF 152 kg (335 lb)

Air Inlet ..... 3/4"

Liquid Inlet..... 76 mm (3")

Liquid Outlet..... 76 mm (3")

**PERFORMANCE**

**PS1500 PLASTIC  
FULL-STROKE PTFE-FITTED**

Max. Flow Rate.....999 lpm (262 gpm)  
 Max. Inlet Pressure ..... PVDF 8.6 bar (125 psig)  
    Polypropylene 6.9 bar (100 psig)  
 Max. Solids Passage..... 12.7 mm (1/2")  
 Max. Suction Lift.....5.8 m Dry (19.1")  
    8.6 m Wet (28.4")

