

PS2 HYGIENIC SERIES METAL PUMP

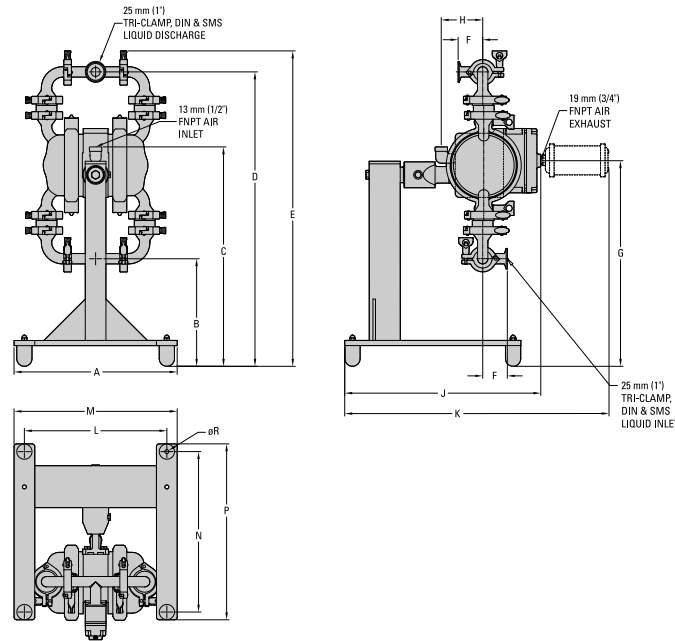
**25 mm (1") Pump**  
**Maximum Flow Rate:**  
**121 lpm (32 gpm)**



PS2 HS METAL

**DIMENSIONAL DRAWING**

**PS2 Saniflo™ HS, Swivel**



**DIMENSIONS**

| ITEM | METRIC (mm) | STANDARD (inch) |
|------|-------------|-----------------|
| A    | 401         | 15.8            |
| B    | 264         | 10.4            |
| C    | 538         | 21.2            |
| D    | 721         | 28.4            |
| E    | 775         | 30.5            |
| F    | 61          | 2.4             |
| G    | 505         | 19.9            |
| H    | 104         | 4.1             |
| J    | 480         | 18.9            |
| K    | 648         | 25.5            |
| L    | 351         | 13.8            |
| M    | 401         | 15.8            |
| N    | 394         | 15.5            |
| P    | 432         | 17.0            |
| R    | ø10         | ø.4             |

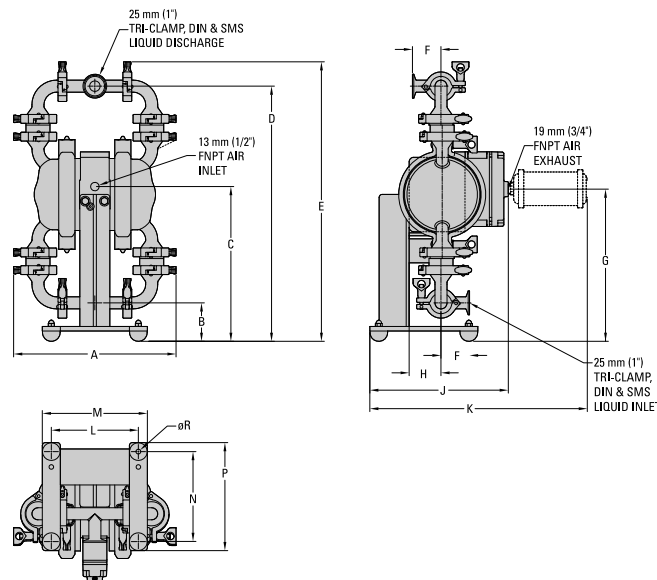
LW0436 REV. A

**PUMP DATA**

**Specifications:**

Ship Weight..... 40 kg (80 lb)  
Air Inlet ..... 1/2"  
Inlet..... 25 mm (1")  
Outlet..... 25 mm (1")

**PS2 Saniflo™ HS, Vertically-Mounted, Fixed**



**DIMENSIONS**

| ITEM | METRIC (mm) | STANDARD (inch) |
|------|-------------|-----------------|
| A    | 343         | 13.5            |
| B    | 81          | 3.2             |
| C    | 327         | 12.9            |
| D    | 540         | 21.3            |
| E    | 591         | 23.3            |
| F    | 61          | 2.4             |
| G    | 322         | 12.7            |
| H    | 69          | 2.7             |
| J    | 292         | 11.5            |
| K    | 460         | 18.1            |
| L    | 185         | 7.3             |
| M    | 224         | 8.8             |
| N    | 191         | 7.5             |
| P    | 229         | 9.0             |
| R    | ø10         | ø0.4            |

LW0435 REV. A

**PS2 HYGIENIC SERIES METAL PUMP**

**PERFORMANCE**

---