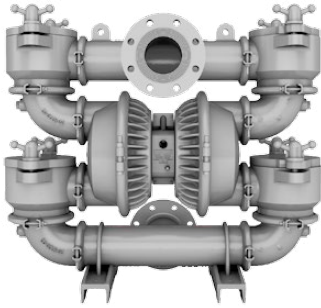


PS20 METAL PUMP

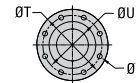
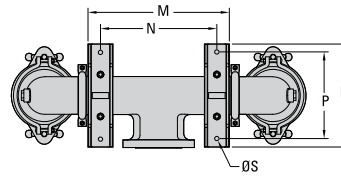
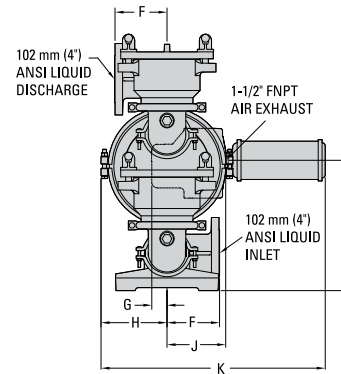
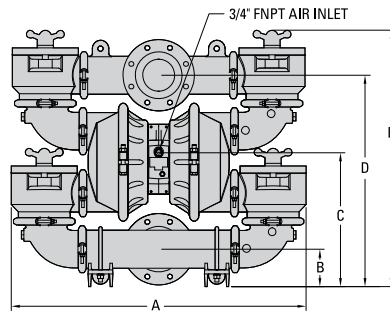
**102 mm (4") Pump
Maximum Flow Rate:
1,048 lpm (277 gpm)**



PS20 METAL

DIMENSIONAL DRAWING

PS20 Metal



DIMENSIONS

ITEM	METRIC (mm)	STANDARD (inch)
A	950	37.4
B	119	4.7
C	429	16.9
D	681	26.8
E	826	32.5
F	168	6.6
G	49	1.9
H	213	8.4
J	178	7.0
K	710	28.0
L	420	16.5
M	455	17.9
N	375	14.8
P	279	11.0
R	332	13.1
S	15 DIA.	0.6 DIA.
ANSI FLANGE		
T	231 DIA.	9.1 DIA.
U	191 DIA.	7.5 DIA.
V	18 DIA.	0.7 DIA.

LW0142 REV. B

PUMP DATA

Specifications:

- Ship Weight..... 223 kg (492 lb)
- Air Inlet 19 mm (3/4")
- Liquid Inlet..... 102 mm (4")
- Liquid Outlet..... 102 mm (4")

PS20 METAL PUMP

PERFORMANCE

**PS20 METAL
 FULL-STROKE PTFE-FITTED**

Max. Flow Rate.....953 lpm (252 gpm)
 Max. Inlet Pressure8.6 bar (125 psig)
 Max. Solids Passage.....35 mm (1-3/8")
 Max. Suction Lift.....3.8 m Dry (12.7')
 8.6 m Wet (28.4')

