

PS8 PLASTIC PUMP

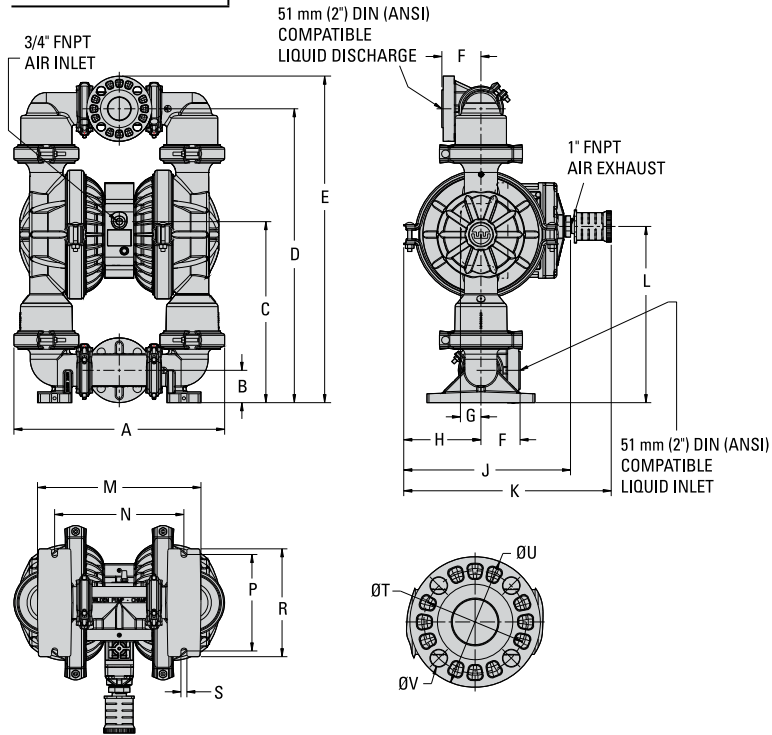
**51 mm (2") Pump
Maximum Flow Rate:
643 lpm (170 gpm)**



PS8 PLASTIC

DIMENSIONAL DRAWING

PS8 Plastic



DIMENSIONS

ITEM	METRIC (mm)	STANDARD (inch)
A	496	19.5
B	76	3.0
C	426	16.8
D	692	27.2
E	769	30.3
F	92	3.6
G	48	1.9
H	182	7.5
J	393	15.5
K	488	19.2
L	415	16.3
M	385	15.2
N	304	12.0
P	227	8.9
R	254	10.0
S	14	0.6
DIN/ANSI COMPATIBLE		
T	121 DIA.	4.8 DIA.
U	154 DIA.	6.0 DIA.
V	20 DIA.	0.8 DIA.

LW0213 REV. C

PUMP DATA

Specifications:

Ship Weight..... 36 kg (79 lb)
 Air Inlet..... 3/4"
 Liquid Inlet..... 51 mm (2")
 Liquid Outlet..... 51 mm (2")

PERFORMANCE

**PS8 PLASTIC
FULL-STROKE PTFE-FITTED**

Max. Flow Rate.....597 lpm (158 gpm)
 Max. Inlet Pressure8.6 bar (125 psig)
 Max. Solids Passage..... 6.4 mm (1/4")
 Max. Suction Lift.....6.1 m Dry (19.9")
 8.3 m Wet (27.2")

