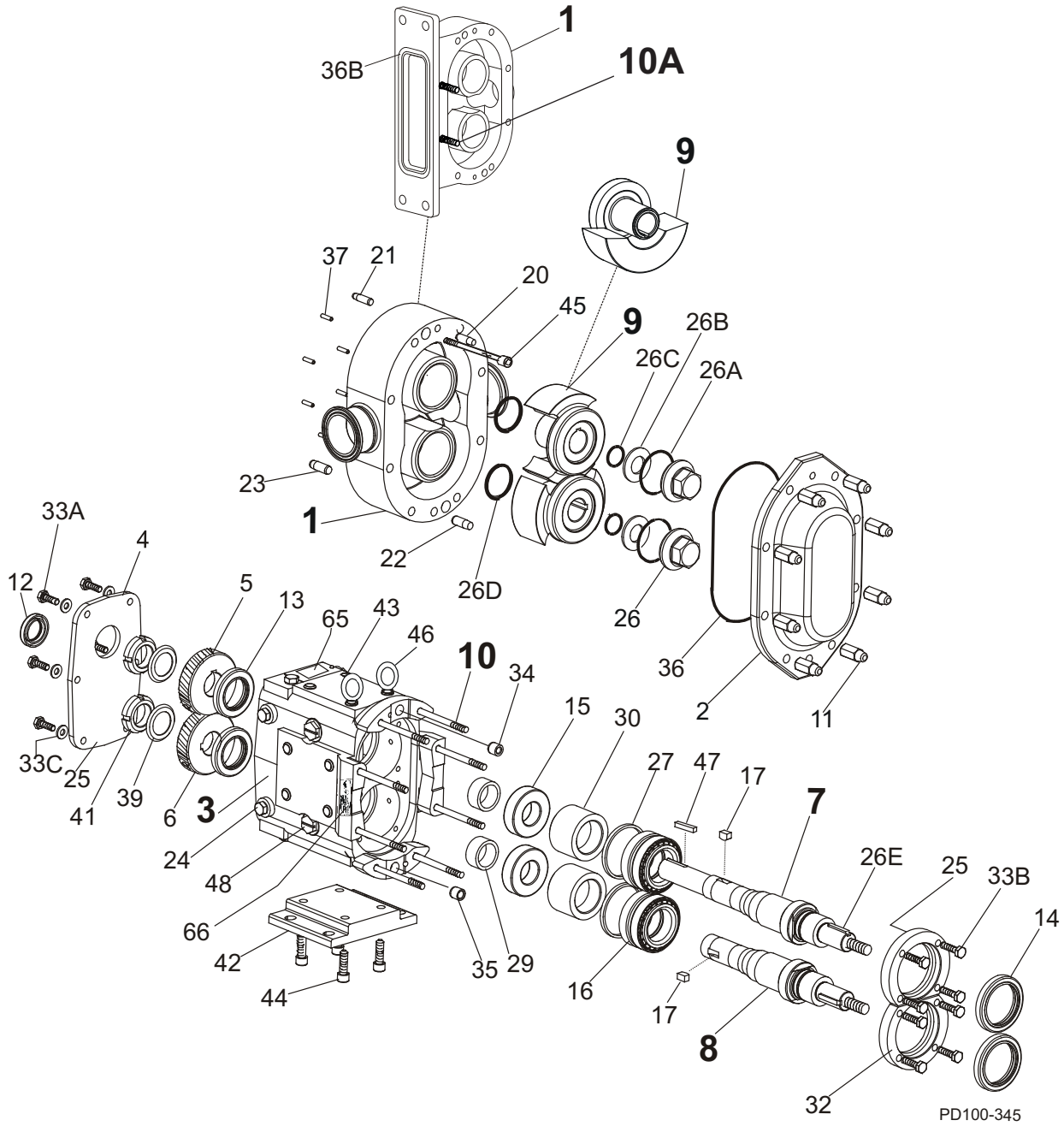


Parts List

006, 014, 015, 018-UII Pump Parts



006, 014, 015, 018-UII Pump Parts

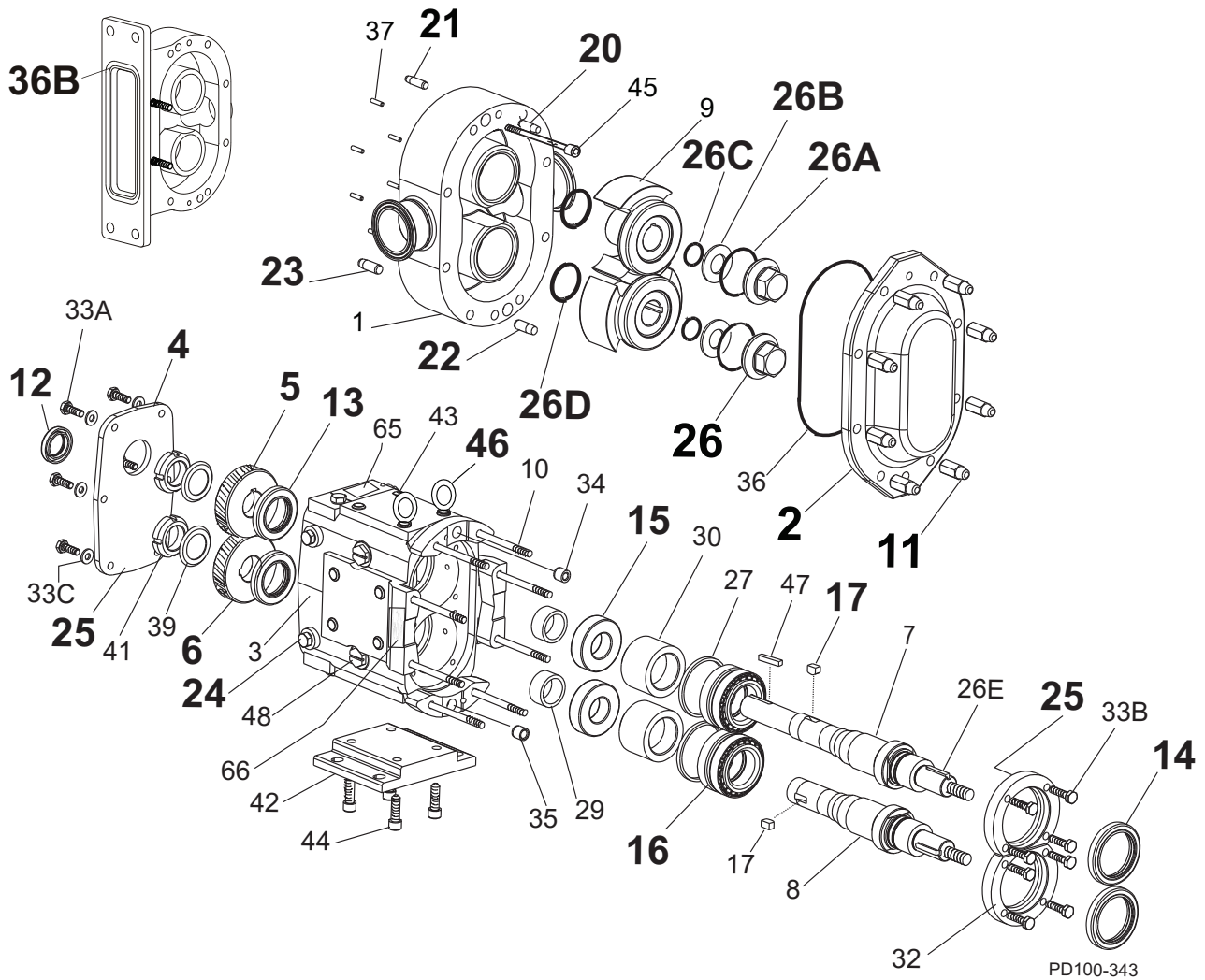
ITEM NO.	DESCRIPTION	QTY. PER PUMP	PART NO.	NOTES
1	006-UII Pump Body	1	See Note 1	1
	006-UII Pump Body with Flush	1	See Note 1	1
	014-UII Rectangulary Flange Inlet Body	1	See Note 1	1
	014-UII Rect. Flange Inlet Body with Flush	1	See Note 1	1
	015-UII Pump Body	1	See Note 1	1
	015-UII Pump Body with Flush	1	See Note 1	1
	018-UII Pump Body	1	See Note 1	1
	018-UII Pump Body with Flush	1	See Note 1	1
3	Gear Case Assembly, CI, Model 006/015	1	102901-C	3
	Gear Case Assembly, SS; Model 006/015 (Optional)	1	102905-C	3
	Gear Case Assembly, CI, Model 018	1	102907-C	3
	Gear Case Assembly, SS; Model 018 (Optional)	1	102911-C	3
7	006-014-015-UII Drive Shaft	1	108405+	43, 47
	018-UII Drive Shaft	1	108407+	43, 47
8	006-014-015-UII Short Shaft	1	108406+	47
	018-UII Short Shaft	1	108408+	47
9	006-UII Rotor, Twin Wing, Alloy 88	2	101870+	2
	006-UII Rotor, Twin Wing, 316SS	2	102199+	2
	014-015-UII Rotor, Twin Wing, Alloy 88	2	101882+	2
	014-015-UII Rotor, Twin Wing, 316SS	2	102205+	2
	015-UII Rotor, Single Wing, Alloy 88	2	117060+	2, 13
	018-UII Rotor, Twin Wing, Alloy 88	2	101894+	2
	018-UII Rotor, Twin Wing, 316SS	2	102211+	2
	018-UII Rotor, Single Wing, Alloy 88	2	117072+	2, 13
10	006-015-UII Stud	8	AD0011000	
10	006-015-UII Stud, Jacketed Cover	8	AD0011J00	
10	014-UII Stud	6	AD0011000	45
10A	014-UII Stud	2	35547+	45
10	014-UII Stud, Jacketed Cover	6	AD0011J00	45
10A	014-UII Stud, Jacketed Cover	2	35548+	45
10	018-UII Stud	8	101721+	
10	018-UII Stud, Jacketed Cover	8	107754+	

PL5060-CH67

Notes:

- Contact customer service with Serial Number of pump for Part Number.
- Standard clearances and finishes for Rotor Part Numbers shown. Contact customer service for optional clearances and finishes.
- Gear Case Assemblies listed are upper drive, side mount left hand, and include shafts and timing gears. CI assemblies are painted WCB blue. Contact customer service for other options.
- Single wing rotors cannot be used with Rectangular Flange Inlet Pumps.
- Tru-Fit drive shaft is longer than the standard drive shaft listed here. See page 100.
- For RF models, qty. 6 of item 10 and qty. 2 of item 10A are required.
- For Tru-Fit parts, see page 100.
- For Shaft & Bearing assembly part numbers, see page 96.

006, 014, 015, 018-UII Common Parts



PD100-343

006, 014, 015, 018-UII Common Parts

ITEM NO.	DESCRIPTION	QTY. PER PUMP	PART NO.	NOTES
2	Pump Cover	1	101842+	
	Jacketed Cover	1	107664+	
	Pump Cover Vented - Complete Assembly			1
4	Gear Case Cover, Steel	1	020106000+	
	Gear Case Cover, SS; Optional	1	102280+	
5	Gear, Drive Shaft, Spur	1	107997+	
6	Gear, Short Shaft, Spur	1	107997+	
11	Hex Nut	8	108369+	
	Wing Nut; Optional	8	105850+	
12	Oil Seal, Gear Case Cover	1	000030016+	
13	Oil Seal, Gear Case Rear	2	000030017+	
14	Grease Seal, Bearing Retainer, standard gearcase	2	121679+	3, 4
	Grease Seal, Bearing Retainer, SS Gearcase or Bearing Isolator	2	101716+	4
15	Bearing, Rear	2	015035000+	
16	Bearing, Front	2	101714+	
17	Key, Gear	2	015037000+	
20	Dowel Pin, Upper Cover Side	1	137001+	43
21	Dowel Pin, Upper Gear Case Side	1	124581+	44
22	Dowel Pin, Lower Cover Side	1	137002+	43
23	Dowel Pin, Lower Gear Case Side	1	124582+	44
24	Oil Plug, M20 x 1.5"	5	115798+	40
	Oil Level Indicator, M20 x 1.5"	1	115799+	
	Oil Level Indicator, ATEX, M20 x 1.5	1	131417+	
25	Silicone Sealant	1	000142301+	
26	Nut, Rotor	2	101804+	
* 26A	O-Ring, Rotor Nut, Buna N	2	N70126	
	O-Ring, Rotor Nut, EPDM	2	E70126	
	O-Ring, Rotor Nut, FKM	2	V70126	
26B	Washer, Belleville	2	101691+	
* 26C	O-Ring, Retainer, Buna N	2	N70112	
	O-Ring, Retainer, EPDM	2	E70112	
	O-Ring, Retainer, FKM	2	V70112	
* 26D	O-Ring, Rotor Hub, Buna N	2	N70121	
	O-Ring, Rotor Hub, EPDM	2	E70121	
	O-Ring, Rotor Hub, FKM	2	V70121	

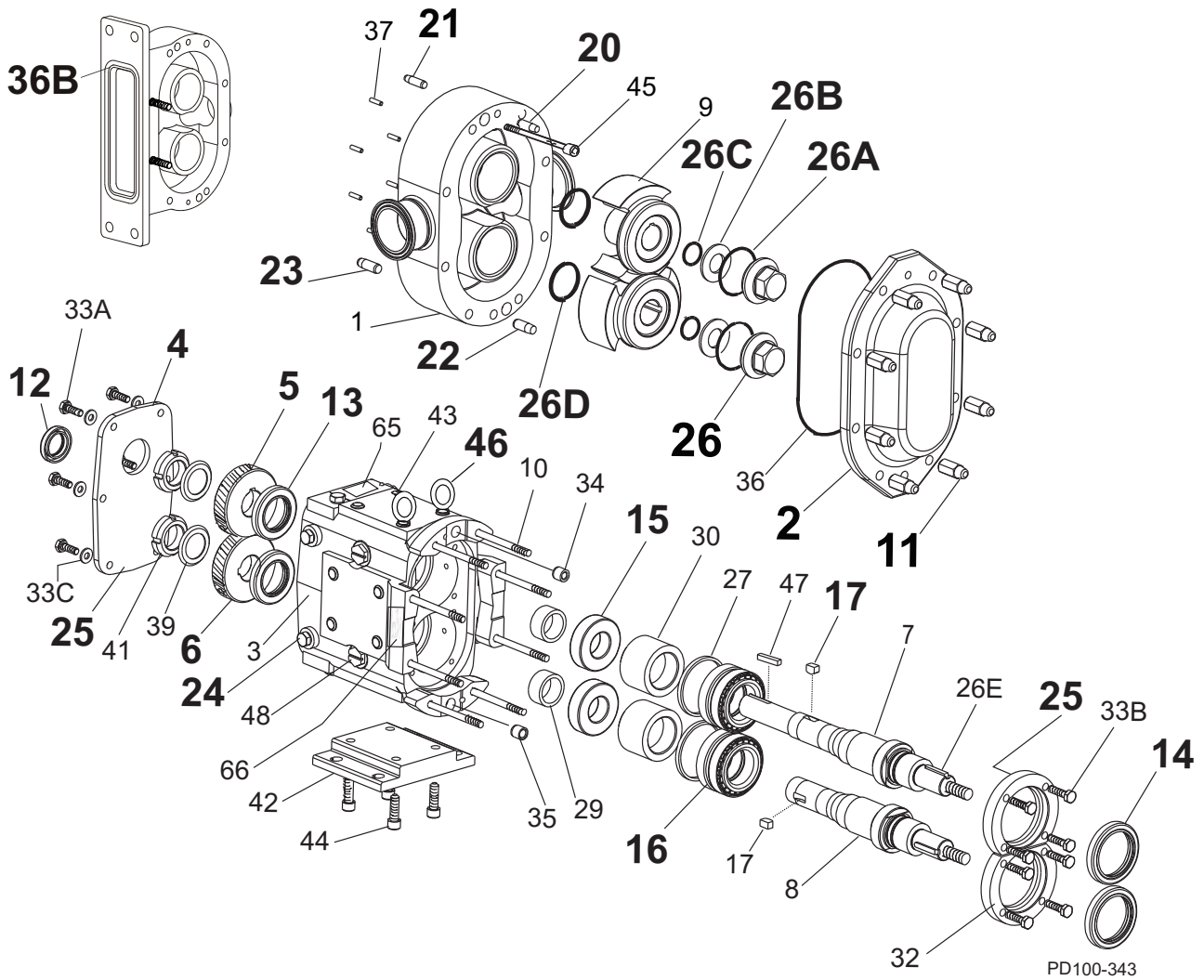
PL5060-CH68

Notes:

* Recommended Spare Parts

- Please configure in E-Sales.
- Pumps manufactured prior to June 2004 use 000030018+ for the grease seal.
- Pumps with bearing isolators use 101716+ as the grease seal and 101810+ as the bearing retainer. For bearing isolator kit, and pumps older than 7/12/04, see page 97.
- Applies to pumps shipped after October 2003. Pumps shipped prior to October 2003 used qty 6 of plug w/washer, part number 000046002+.
- Exposed length of dowel pin: .444" (11.3 mm)
- Exposed length of dowel pin: .563" (14.3 mm)
- For Shaft & Bearing assembly part numbers, see page 96.

006, 014, 015, 018-UII Common Parts, cont'd



006, 014, 015, 018-UII Common Parts, cont'd

ITEM NO.	DESCRIPTION	QTY. PER PUMP	PART NO.	NOTES
26E	006-014-015-UII Key, Rotor	2	101817+	
	018-UII Key, Rotor	2	101819+	
27	Shim Kit	2	117889+	
29	Spacer, Gear to Rear Bearing	2	015055000+	
30	Bearing Spacer	2	101814+	
32	Bearing Retainer, Front SS, for standard gearcase	2	120332+	4
	Bearing Retainer, Front SS, for SS Gearcase or Bearing Isolator	2	101810+	4
33A, 33B	1/4-20 x .75" HHCS, SS	14	30-58	
33C	1/4" Flat Washer	6	43-27	
34	Dowel Bushing, Upper	1	AD0116000	
35	Dowel Bushing, Lower	1	AD0116 100	
* 36	O-Ring, Pump Cover, Buna N	1	N70249	
	O-Ring, Pump Cover, EPDM	1	E70249	
	O-Ring, Pump Cover, FKM	1	V70249	
* 36B	014-UII O-Ring, Rectangular Flange, Buna N	1	N70241	
	014-UII O-Ring, Rectangular Flange, EPDM	1	E70241	
	014-UII O-Ring, Rectangular Flange, FKM	1	V70241	
37	Stop Pin, Seal	6	101718+	
39	Lockwasher, Gear	2	STD136005	
41	Locknut, Gear	2	STD236005	
42	Gear Case Shim, CI	1	020110000+	
	Gear Case Shim, SS; Optional	1	102284+	
	Pump Pedestal, 6.75", Optional	1	014110675+	
43	Plastic Cap Plug	8	000121003+	
44	5/16-18 x 1" SHCS, SS	4	30-525	
45	006-014-015-UII Body Retaining Screw, 1/4-20 x 1-1/4"	2	30-523	
	018-UII Body Retaining Screw, 1/4-20 x 2"	2	30-211	
46	Eye Bolt, 5/16-18 x .50" ZP 2	2	30-722	
47	Key, Coupling - 3/16 x 3/16 x 1-1/8"	1	000037001+	
	Key, Coupling - Tru-Fit	1	119714+	
48	Cleanout Plug	2	35824+	15
61	Name Plate, Sanitary	1	135623+	
62	#2 x .187" RHDS	4	30-355	
65	Caution Plate	2	121694+	
66	Warning Label	2	33-63	
67	006-015-018-U1 Grease Fitting, 1/8"	4	BD0092000	2
	014-U1 Grease Fitting, 1/8"	4	BD0092100	3
68	Plastic Cap, Grease Fitting	4	BD0093000	

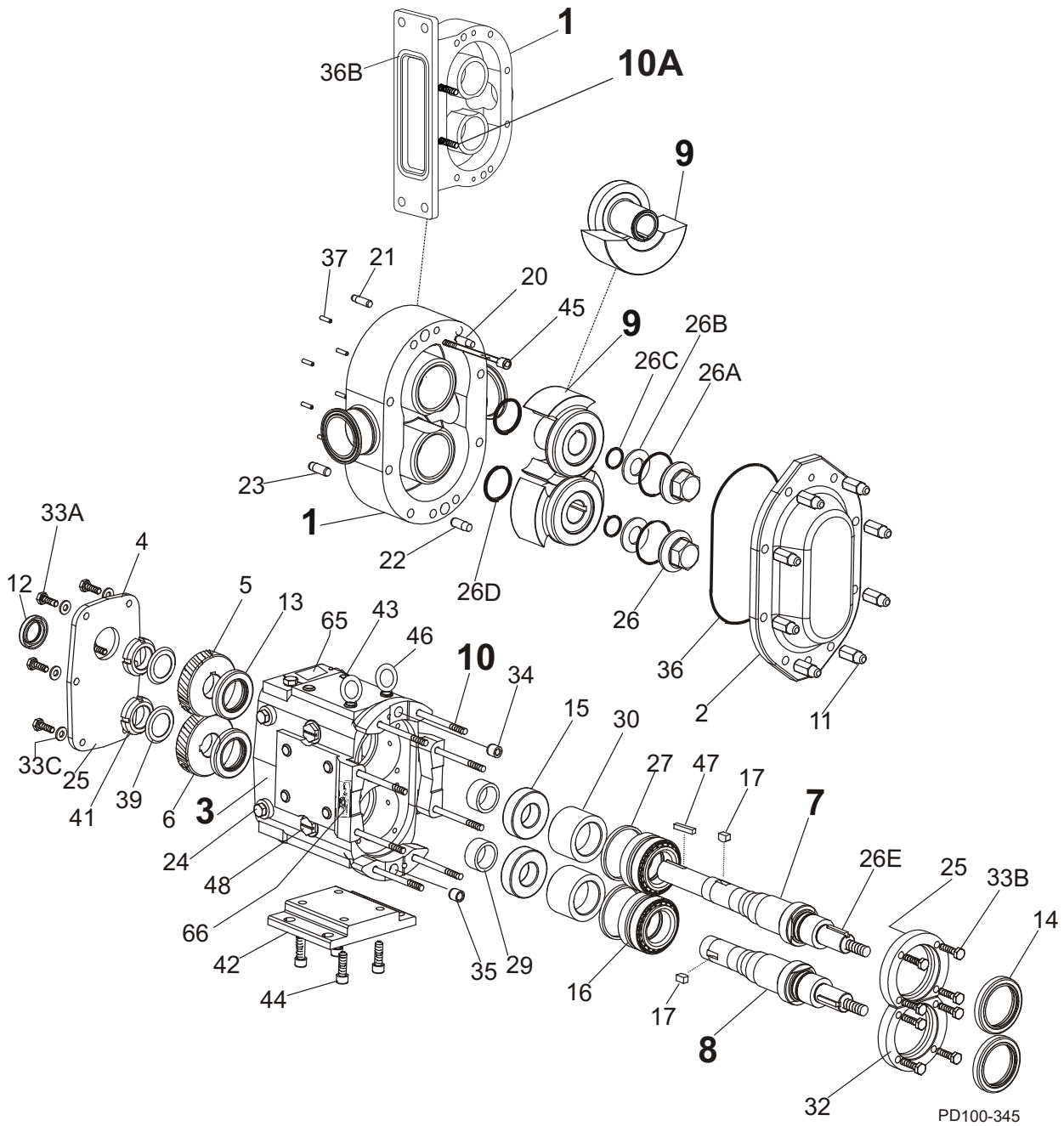
PL5060-CH69

Notes:

* Recommended Spare Parts

- This grease fitting is the straight style. Part number BD0092100 is the angled style.
- This grease fitting is the angled style. Part number BD0092000 is the straight style.
- 101810+ bearing retainer is used with 101716+ grease seal. For bearing isolator kit, and for pumps older than 7/12/04, see page 97.
- For an older gearcase without a threaded plug hole, use plug p/n 000121003+.
- For seals, see page 89.
- For vented covers, see page 98.

030, 034, 040-UII Pump Parts



030, 034, 040-UII Pump Parts

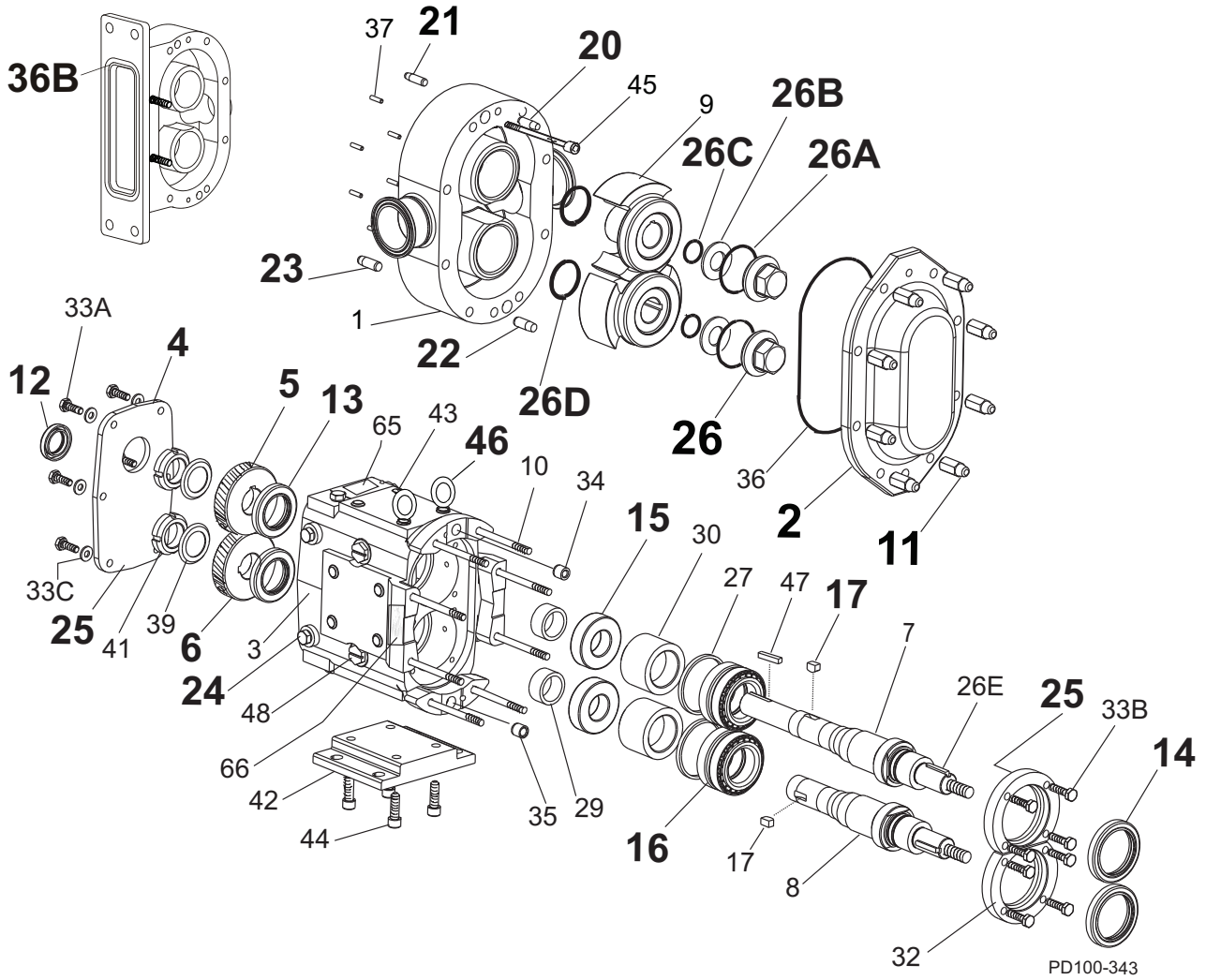
ITEM NO.	DESCRIPTION	QTY. PER PUMP	PART NO.	NOTES
1	030-UII Pump Body	1	See Note 1	1
	030-UII Pump Body with Flush	1	See Note 1	1
	034-UII Rectangular Flange Inlet Body	1	See Note 1	1
	034-UII Rectangular Flange Inlet Body with Flush	1	See Note 1	1
	040-UII Pump Body	1	See Note 1	1
	040-UII Pump Body with Flush	1	See Note 1	1
3	030-034-UII Gear Case Assembly, CI	1	102913-C	3
	030-034-UII Gear Case Assembly, SS; Optional	1	102917-C	3
	040-UII Gear Case Assembly, CI	1	120370-C	3
	040-UII Gear Case Assembly, SS; Optional	1	125943-C	3
7	030-034 UII Drive Shaft	1	108409+	43
	040 UII Drive Shaft	1	118722+	43
8	030-034 UII Short Shaft	1	108410+	
	040-UII Short Shaft	1	118723+	
9	030-034-UII Rotor, Twin Wing, Alloy 88	2	102151+	2
	030-034-UII Rotor, Twin Wing, 316SS	2	102217+	2
	030-UII Rotor, Single Wing, Alloy 88	2	117084+	2, 12, 13
	030-UII Rotor, Single Wing, 316SS	2	117088+	2, 12A, 13
	040-UII Rotor, Twin Wing, Alloy 88	2	118766+	2
	040-UII Rotor, Twin Wing, 316SS	2	118779+	2
	040-UII Rotor, Single Wing, Alloy 88	1	124255+	2, 13
	040-UII Rotor, Single Wing, 316SS	1	124268+	2, 13
10	030-UII Stud	8	108842+	
10	030-UII Stud, Jacketed Cover	8	108845+	
10	034-UII Stud	6	108842+	45
10A	034-UII Stud	2	35555+	45
10	034-UII Stud, Jacketed Cover	6	108845+	45
10A	034-UII Stud, Jacketed Cover	2	35549+	45
10	040-UII Stud	8	118897+	
10	040-UII Stud, Jacketed Cover	8	118898+	

PL5060-CH72

Notes:

- Contact customer service with Serial Number of pump for Part Number.
- Standard clearances and finishes for Rotor Part Numbers shown. Contact customer service for optional clearances and finishes.
- Gear Case Assemblies listed are upper drive, side mount left hand, and include shafts and timing gears. CI assemblies are painted WCB blue. Contact customer service for other options.
- Replaces P/N 104707 (straight) and P/N 104836 (90 degree) rotors.
- 12A.Replaces P/N 104719 (straight) and P/N 104848 (90 degree) rotors.
- Single wing rotors cannot be used with Rectangular Flange Inlet Pumps.
- Tru-Fit drive shaft is longer than the standard drive shaft listed here. See page 100.
- For RF models, qty. 6 of item 10 and qty. 2 of item 10A are required.
- For Shaft & Bearing assembly part numbers, see page 96.

030, 034, 040-UII Common Parts



030, 034, 040-UII Common Parts

ITEM NO.	DESCRIPTION	QTY. PER PUMP	PART NO.	NOTES
2	Pump Cover	1	101845+	
	Jacketed Cover	1	107666+	
	Pump Cover Vented - Complete Assembly			1
4	Gear Case Cover, Steel	1	040106000+	
	Gear Case Cover, SS; Optional	1	102281+	
5	Gear, Drive Shaft, Spur	1	107999+	
6	Gear, Short Shaft, Spur	1	107999+	
11	Hex Nut	8	108370+	
	Wing Nut; Optional	8	105851+	
12	Oil Seal, Gear Case Cover	1	000030013+	
13	Oil Seal, Gear Case Rear	2	000030014+	
14	Grease Seal, Bearing Retainer	2	121680+	2
15	Bearing, Rear	2	030035000+	
16	Bearing, Front	2	101715+	
17	Key, Gear	2	BD0037000	
20	Dowel Pin, Upper Cover Side	1	137001+	43
21	Dowel Pin, Upper Gear Case Side	1	124582+	44
22	Dowel Pin, Lower Cover Side	1	137002+	43
23	Dowel Pin, Lower Gear Case Side	1	124583+	44
24	Oil Plug, M20 x 1.5"	5	115798+	40
	Oil Level Indicator, M20 x 1.5"	1	115799+	40
	Oil Level Indicator, ATEX, M20 x 1.5	1	131417+	
25	Silicone Sealant	1	000142301+	
26	Nut, Rotor	2	101805+	
* 26A	O-Ring, Rotor Nut, Buna N	2	N70130	
	O-Ring, Rotor Nut, EPDM	2	E70130	
	O-Ring, Rotor Nut, FKM	2	V70130	
26B	Washer, Belleville	2	101692+	
* 26C	O-Ring, Retainer, Buna N	2	N70115	
	O-Ring, Retainer, EPDM	2	E70115	
	O-Ring, Retainer, FKM	2	V70115	
* 26D	O-Ring, Rotor Hub, Buna N	2	N70127	
	O-Ring, Rotor Hub, EPDM	2	E70127	
	O-Ring, Rotor Hub, FKM	2	V70127	

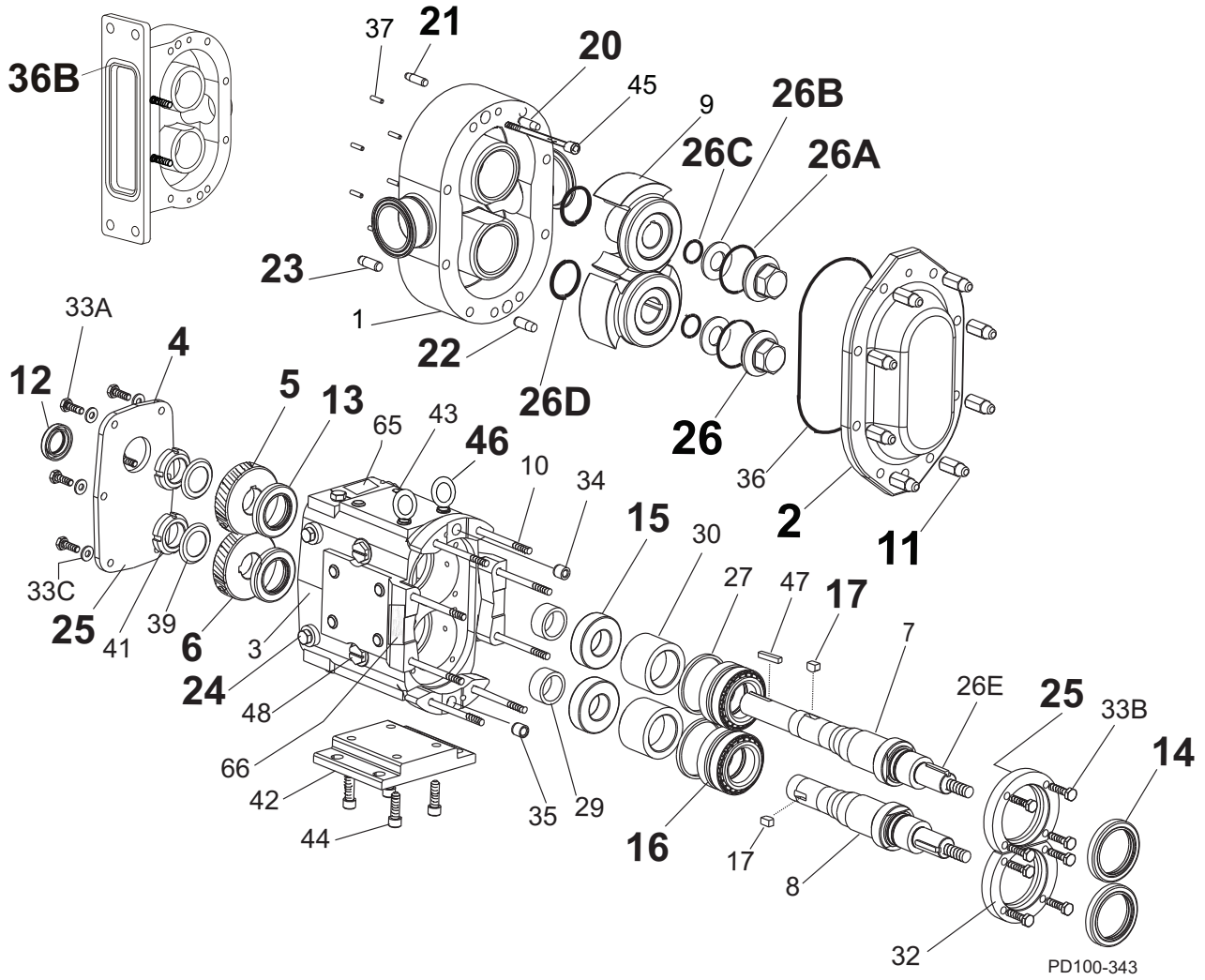
PL5060-CH73

Notes:

* Recommended Spare Parts

1. Please configure in E-Sales.
2. Pumps manufactured prior to June 2001 use 000030015+ for the grease seal. See page 97.
40. Applies to pumps shipped after October 2003. Pumps shipped prior to October 2003 used qty 6 of plug with washer, part number 000046003+.
43. Exposed length of dowel pin: .444" (11.3 mm)
44. Exposed length of dowel pin: .563" (14.3 mm)
47. For Shaft & Bearing assembly part numbers, see page 96.

030, 034, 040-UII Common Parts, cont'd



030, 034, 040-UII Common Parts, cont'd

ITEM NO.	DESCRIPTION	QTY. PER PUMP	PART NO.	NOTES
* 26E	Key, Rotor	2	101821+	
27	Shim Kit	2	117890+	
29	Spacer, Gear to Rear Bearing	2	030055000+	
30	Bearing Spacer	2	101815+	
32	Bearing Retainer, Front SS, for std. lip seal	2	120333+	3
33A	5/16-18 x 3/4" HHCS, SS	6	30-623	
33B	5/16-18 x 3/4" BSHCS, STD	8	30-296	
	5/16-18 x 3/4" SHCS, SS	8	30-29	
33C	5/16" Flat Washer	6	43-246	
34	Dowel Bushing, Upper	1	BD0116000	
35	Dowel Bushing, Lower	1	BD0116100	
* 36	O-Ring, Pump Cover, Buna N	1	N70259	
	O-Ring, Pump Cover, EPDM	1	E70259	
	O-Ring, Pump Cover, FKM	1	V70259	
* 36B	034-UII O-Ring, Rectangular Flange, Buna N	1	N70357	
	034-UII O-Ring, Rectangular Flange, EPDM	1	E70357	
	034-UII O-Ring, Rectangular Flange, FKM	1	V70357	
37	Stop Pin, Seal	6	101719+	
39	Lockwasher, Gear	2	CD0036 W00	
41	Locknut, Gear	2	CD0036 N00	
42	Gear Case Shim, CI	1	040110000+	
	Gear Case Shim, SS; Optional	1	102285+	
	Pump Pedestal, 6.25", Optional	1	BD0110SM0	
43	Plastic Cap Plug, 3/8"	8	000121002+	
44	3/8-16 x 1" SHCS	4	30-189	
45	030,034-UII Body Retaining Screw, 1/4-20 x 2"	2	30-211	
	040-UII Body Retaining Screw, 1/4-20 x 2.5"	2	30-543	
46	Eye Bolt, 3/8-16 x 1.0" ZP 2	2	30-723	
47	Key, Coupling - 1/4 x 1/4 x 1-3/4"	1	000037002+	
	Key, Coupling - Tru-Fit	1	119715+	
48	Cleanout Plug	2	41013+	15
61	Name Plate, Sanitary	1	135624+	
62	#2 x .187" RHDS	4	30-355	
65	Caution Plate	2	121694+	
66	Warning Label	2	33-63	
67	030-UII and 040-UII Grease Fitting, 1/8"	4	BD0092000	1
	034-UII Grease Fitting, 1/8"	4	BD0092100	2
68	Plastic Cap, Grease Fitting	4	BD0093000	

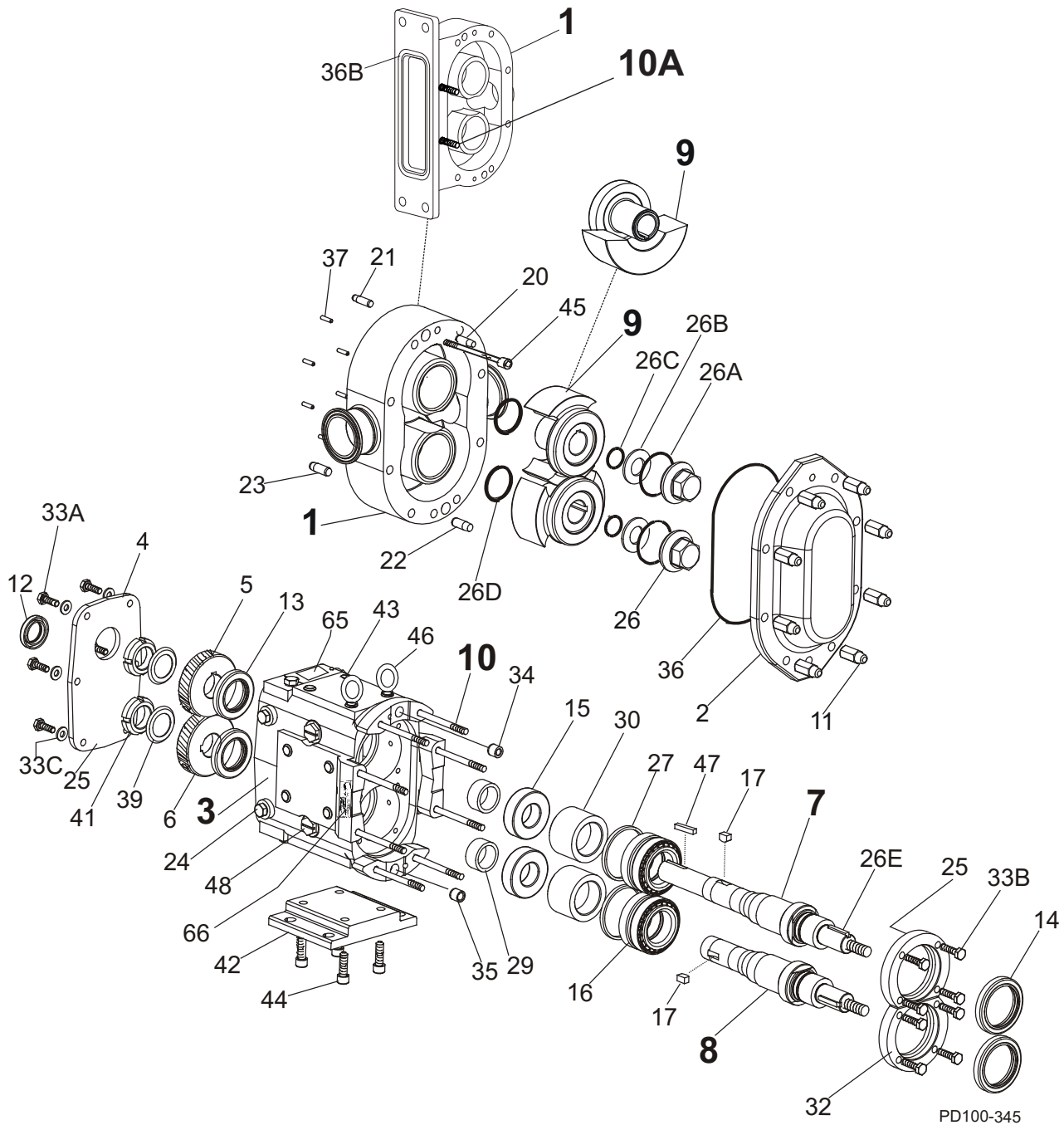
PL5060-CH74

Notes:

* Recommended Spare Parts

1. This grease fitting is the straight style. Part number BD0092100 is the angled style.
2. This grease fitting is the angled style. Part number BD0092000 is the straight style.
3. For bearing retainer for SS gearcase or for bearing isolator, for bearing isolator kit, and for pumps manufactured prior to July 2004, see page 97.
15. For an older gearcase without a threaded plug hole, use plug p/n 000121002+.
16. For seals, see page 89.
17. For vented covers, see page 98.
47. For Shaft & Bearing assembly part numbers, see page 96.

045, 060, 064, 130, 134-UII Pump Parts

**Notes: (See "Notes" column on page 69)**

1. Contact customer service with Serial Number of pump for Part Number.
2. Standard clearances and finishes for Rotor Part Numbers shown. Contact customer service for optional clearances and finishes.
3. Gear Case Assemblies listed are upper drive, side mount left hand, and include shafts and timing gears. CI assemblies are painted WCB blue. Contact customer service for other options.
12. Replaces (obsolete) P/Ns 104728 (straight) and 104857 (90 degree) rotors.
- 12A. Replaces (obsolete) P/Ns 104746 (straight) and 104875 (90 degree) rotors.
13. Single wing rotors cannot be used with Rectangular Flange Inlet Pumps.
43. Tru-Fit drive shaft is longer than the standard drive shaft listed here. See page 100.
45. For RF models, qty. 6 of item 10 and qty. 2 of item 10A are required.
46. For Tru-Fit parts, see page 100. For Shaft & Bearing assembly part numbers, see page 96.

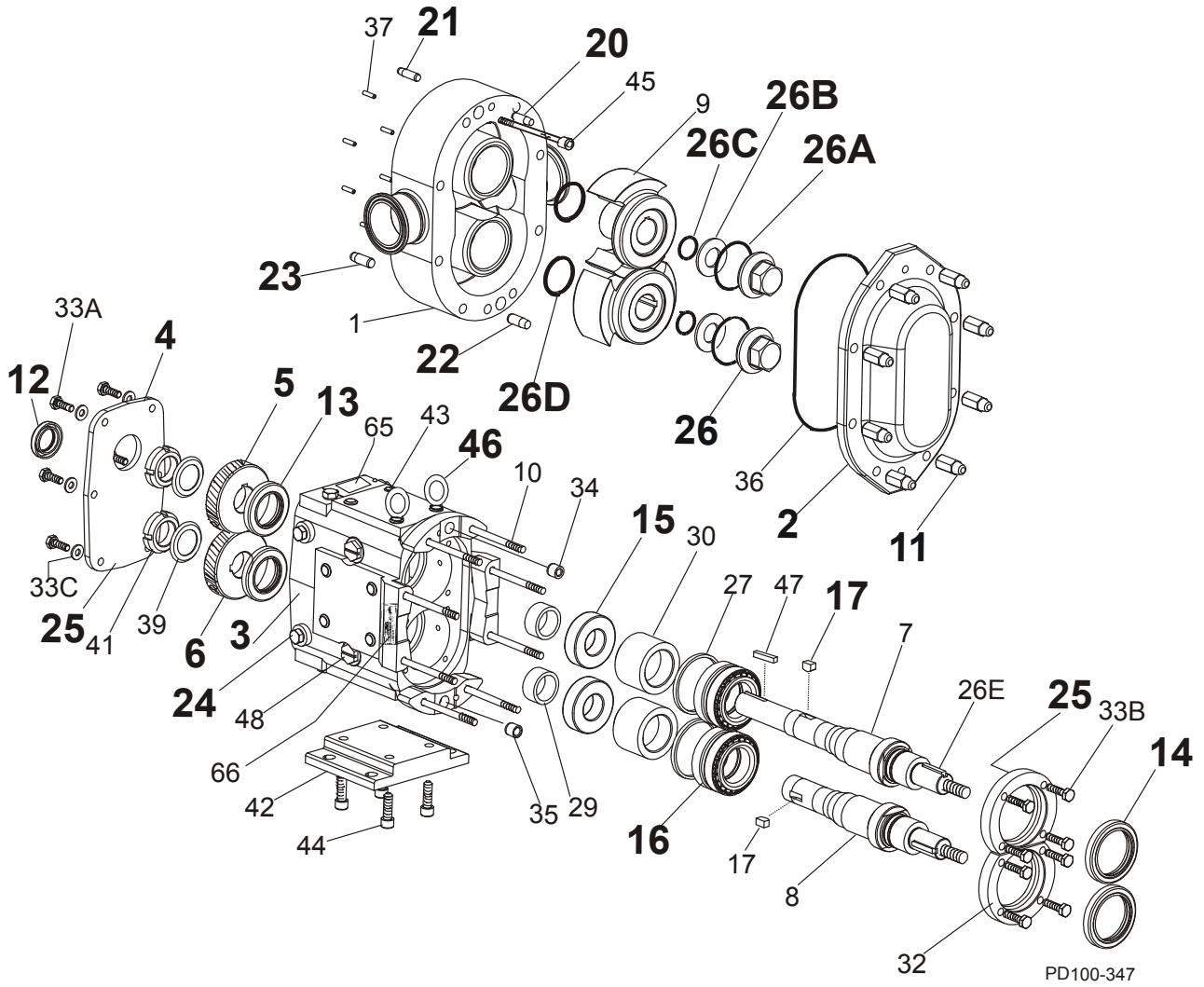
045, 060, 064, 130, 134-UII Pump Parts

ITEM NO.	DESCRIPTION	QTY PER PUMP	PART NO.	NOTES
1	045-UII Pump Body	1	See Note 1	1
	045-UII Pump Body with Flush	1	See Note 1	1
	060-UII Pump Body	1	See Note 1	1
	060-UII Pump Body with Flush	1	See Note 1	1
	064-UII Rectangular Flange Inlet Body	1	See Note 1	1
	064-UII Rect. Flange Inlet Body with Flush	1	See Note 1	1
	130-UII Pump Body	1	See Note 1	1
	130-UII Pump Body with Flush	1	See Note 1	1
	134-UII Rectangular Flange Inlet Body	1	See Note 1	1
	134-UII Rect. Flange Inlet Body with Flush	1	See Note 1	1
3	Gear Case Assembly, CI, Model 045	1	111141-C	3
	Gear Case Assembly, SS; Model 045 (Optional)	1	113167-C	3
	Gear Case Assembly, CI, Model 060	1	102919-C	3
	Gear Case Assembly, SS; Model 060 (Optional)	1	102923-C	3
	Gear Case Assembly, CI, Model 064	1	115704-C	3
	Gear Case Assembly, CI, Model 130	1	102925-C	3
	Gear Case Assembly, SS; Model 130 (Optional)	1	102929-C	3
	Gear Case Assembly, CI, Model 134	1	115706-C	3
7	045-UII Drive Shaft	1	110021+	43
	060-064-UII Drive Shaft	1	108411+	43
	130-134-UII Drive Shaft	1	108413+	43
8	045-UII Short Shaft	1	110022+	
	060-064-UII Short Shaft	1	108412+	
	130-134-UII Short Shaft	1	108414+	
9	045-UII Rotor, Twin Wing, Alloy 88	2	107252+	2
	045-UII Rotor, Twin Wing, 316SS	2	107264+	2
	045-UII Rotor, Single Wing, Alloy 88	2	117105+	2, 13
	060-064-UII Rotor, Twin Wing, Alloy 88	2	102163+	2
	060-064-UII Rotor, Twin Wing, 316SS	2	102226+	2
	060-UII Rotor, Single Wing, Alloy 88	2	117117+	2, 12, 13
	130-134-UII Rotor, Twin Wing, Alloy 88	2	102175+	2
	130-134-UII Rotor, Twin Wing, 316SS	2	102232+	2
130-UII Rotor, Single Wing, Alloy 88	2	117129+	2, 12A, 13	
10	045-UII Stud	8	107242+	
10	045-UII Stud, Jacketed Cover	8	111584+	
10	060-UII Stud	8	108843+	
10	060-UII Stud, Jacketed Cover	8	108846+	
10	064-UII Stud	6	108843+	45
10A	064-UII Stud	2	0C1050000	45
10	064-UII Stud, Jacketed Cover	6	108846+	45
10A	064-UII Stud, Jacketed Cover	2	35556+	45
10	130-UII Stud	8	101722+	
10	130-UII Stud, Jacketed Cover	8	130011001+	
10	134-UII Stud	6	101722+	45
10A	134-UII Stud	2	0C1050000	45
10	134-UII Stud, Jacketed Cover	6	130011001+	45
10A	134-UII Stud, Jacketed Cover	2	35556+	45

PL5060-CH82

Notes: See "Notes" on page 68

045, 060, 064, 130, 134-UII Common Parts



045, 060, 064, 130, 134-UII Common Parts

ITEM NO.	DESCRIPTION	QTY. PER PUMP	PART NO.	NOTES
2	Pump Cover	1	101848+	
	Jacketed Cover	1	107668+	
	Pump Cover Vented - Complete Assembly			1
4	Gear Case Cover, Steel	1	070106000+	
	Gear Case Cover, SS; Optional	1	102282+	
5	Gear, Drive Shaft, Spur	1	107404+	
6	Gear, Short Shaft, Spur	1	107404+	
11	Hex Nut	8	108371+	
	Wing Nut, Optional	8	105852+	
12	Oil Seal, Gear Case Cover	1	000030012+	
13	Oil Seal, Gear Case Rear	2	000030011+	
14	Grease Seal, Bearing Retainer	2	101829+	3
15	Bearing, Rear	2	107186+	
16	Bearing, Front	2	060036000+	
17	Key, Gear	2	060037000+	
20	Dowel Pin, Upper Cover Side	1	124586+	43
21	Dowel Pin, Upper Gear Case Side	1	124584+	44
22	Dowel Pin, Lower Cover Side	1	137003+	43
23	Dowel Pin, Lower Gear Case Side	1	137002+	44
24	Oil Plug, M20 x 1.5"	5	115798+	40
	Oil Level Indicator, M20 x 1.5"	1	115799+	40
	Oil Level Indicator, ATEX, M20 x 1.5	1	131417+	
25	Silicone Sealant	1	000142301+	
26	Nut, Rotor	2	101806+	
* 26A	O-Ring, Rotor Nut, Buna N	2	N70227	
* 26A	O-Ring, Rotor Nut, EPDM	2	E70227	
* 26A	O-Ring, Rotor Nut, FKM	2	V70227	
26B	Belleville Washer	2	101693+	
* 26C	O-Ring, Retainer, Buna N	2	N70119	
* 26C	O-Ring, Retainer, EPDM	2	E70119	
* 26C	O-Ring, Retainer, FKM	2	V70119	
* 26D	O-Ring, Rotor Hub, Buna N	2	N70224	
* 26D	O-Ring, Rotor Hub, EPDM	2	E70224	
* 26D	O-Ring, Rotor Hub, FKM	2	V70224	

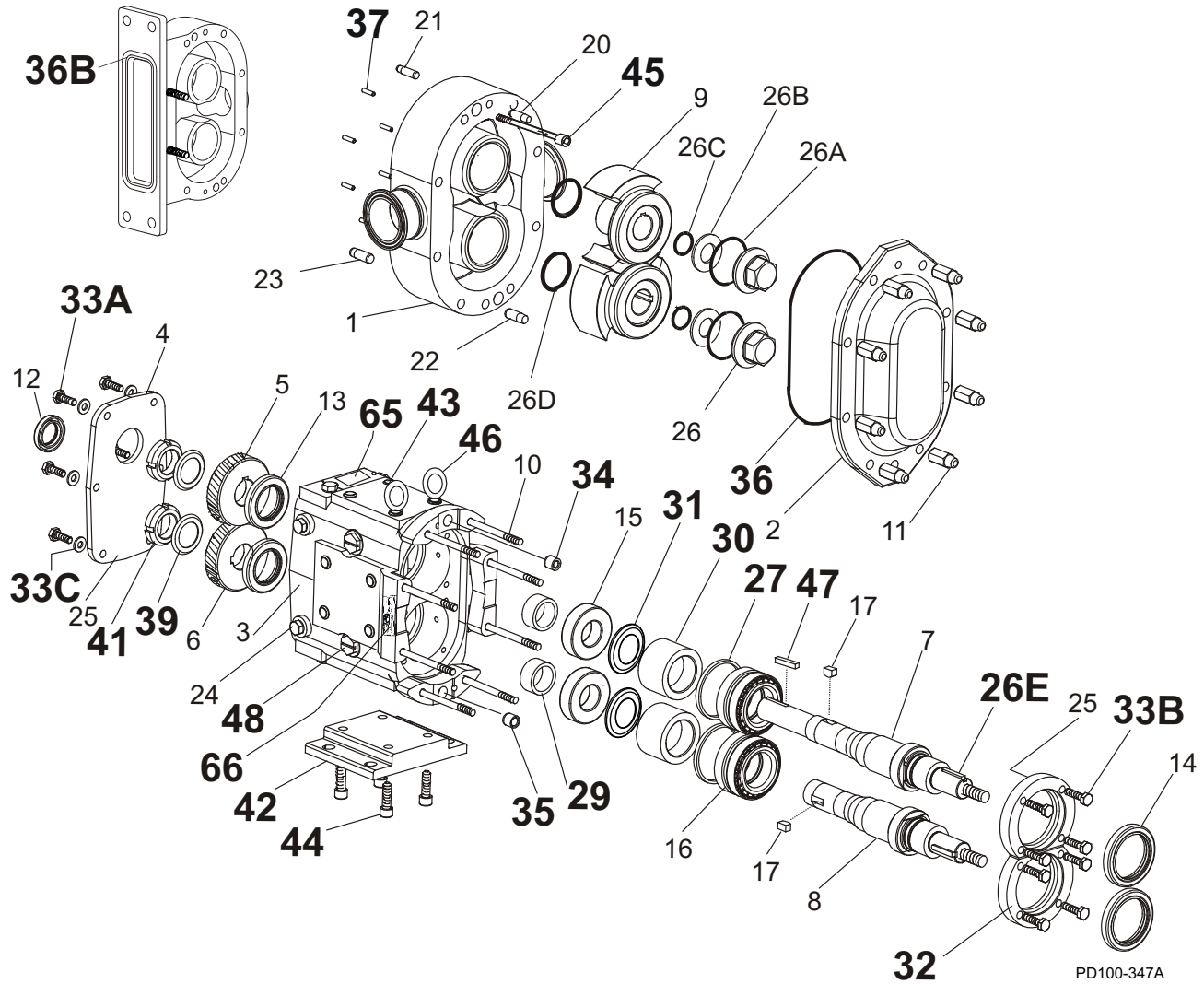
PL5060-CH83

Notes:

* Recommended Spare Parts

1. Please configure in E-Sales.
3. For bearing isolator kit, see page 97.
40. Applies to pumps shipped after October 2003. Pumps shipped prior to October 2003 used qty 6 of plug w/washer, part number 000046004+.
43. Exposed length of dowel pin: .444" (11.3 mm)
44. Exposed length of dowel pin: .563" (14.3 mm)
47. For Shaft & Bearing assembly part numbers, see page 96.

045, 060, 064, 130, 134-UII Common Parts, cont'd



PD100-347A

ITEM NO.	DESCRIPTION	QTY. PER PUMP	PART NO.	NOTES
26E	045-UII Key, Rotor	2	110926+	
	060-064-UII Key, Rotor	2	101823+	
	130-134-UII Key, Rotor	2	101825+	
27	Shim Kit	2	117891+	
29	Spacer, Gear to Rear Bearing	2	107187+	
30	Bearing Spacer	2	060055003+	
31	Grease Retainer, Rear Bearing	2	STD091002	
32	Bearing Retainer, Front, CTD	2	123531+	5, 7
	Bearing Retainer, Front SS, for std. lip seal	2	121828+	6, 7
	Bearing Retainer, Front SS, used with bearing isolators.	2	101812+	6, 7

PL5060-CH84

Notes:

- 5. 123531+ is available until stock is depleted, then will be replaced by 121828+. CTD = Coated Steel
- 6. 101812+ is used with bearing isolators; for std. lip seal, use part # 121828+. SS = Stainless Steel
- 7. For bearing isolator kit, and for pumps older than 7/12/04, see page 97.

045, 060, 064, 130, 134-UII Common Parts, cont'd

ITEM NO.	DESCRIPTION	QTY. PER PUMP	PART NO.	NOTES
33A	3/8-16 x 3/4" HHCS, SS Gear Case Cover	6	30-50	
33B	3/8-16 x 1-1/4" HHCS, SS Bearing Retainer	8	30-60	
33C	3/8" Flat Washer, Gear Case Cover	6	43-30	
34	Dowel Bushing, Upper	1	CD0116000	
35	Dowel Bushing, Lower	1	CD0116 100	
* 36	O-Ring, Pump Cover, Buna N	1	N70373	
	O-Ring, Pump Cover, EPDM	1	E70373	
	O-Ring, Pump Cover, FKM	1	V70373	
	O-Ring, Pump Cover, Silicone	1	S75373	
* 36B	064-UII O-Ring, Rectangular Flange, Buna N	1	N70366	
	064-UII O-Ring, Rectangular Flange, EPDM	1	E70366	
	064-UII O-Ring, Rectangular Flange, FKM	1	V70366	
	134-UII O-Ring, Rectangular Flange, Buna N	1	N70369	
	134-UII O-Ring, Rectangular Flange, EPDM	1	E70369	
	134-UII O-Ring, Rectangular Flange, FKM	1	V70369	
37	Stop Pin, Seal	6	101720+	
39	Lockwasher, Gear	2	STD136009	
41	Locknut, Gear	2	STD236009	
42	Gear Case Shim, CI	1	070110000+	
	Gear Case Shim, SS; Optional	1	102286+	
	Pump Pedestal, 5.5", Optional	1	CD0110SM5	
	Pump Pedestal, 10", Optional	1	CD0110SM1	
43	Plastic Cap Plug	6	000121001+	
44	1/2-13 x 1-1/4" SS SHCS	4	30-503	
45	045-UII Body Retaining Screws, 5/16-8 x 2-1/2"	2	30-615	
	060-064-UII Body Retaining Screws, 5/16-8 x 3"	2	30-319	
	130-134-UII Body Retaining Screws, 5/16-8 x 4"	2	30-423	
46	Eye Bolt, 1/2 -13	2	30-360	
47	Key, Coupling - 3/8 x 3/8 x 1-5/8"	1	000037003+	
	Key, Coupling - Tru-Fit	1	119716+	
48	Cleanout Plug	2	41013+	15
61	Name Plate, Sanitary	1	135624+	
62	#2 x .187" RHDS	4	30-355	
65	Caution Plate	2	121694+	
66	Warning Label	2	33-60	
67	045-060-130-UII Grease Fitting, 1/8" (straight)	4	BD0092000	
	064-134-UII Grease Fitting, 1/8" (angled)	4	BD0092 100	
68	Plastic Cap, Grease Fitting	4	BD0093000	

PL5060-CH85

Notes:

* Recommended Spare Parts

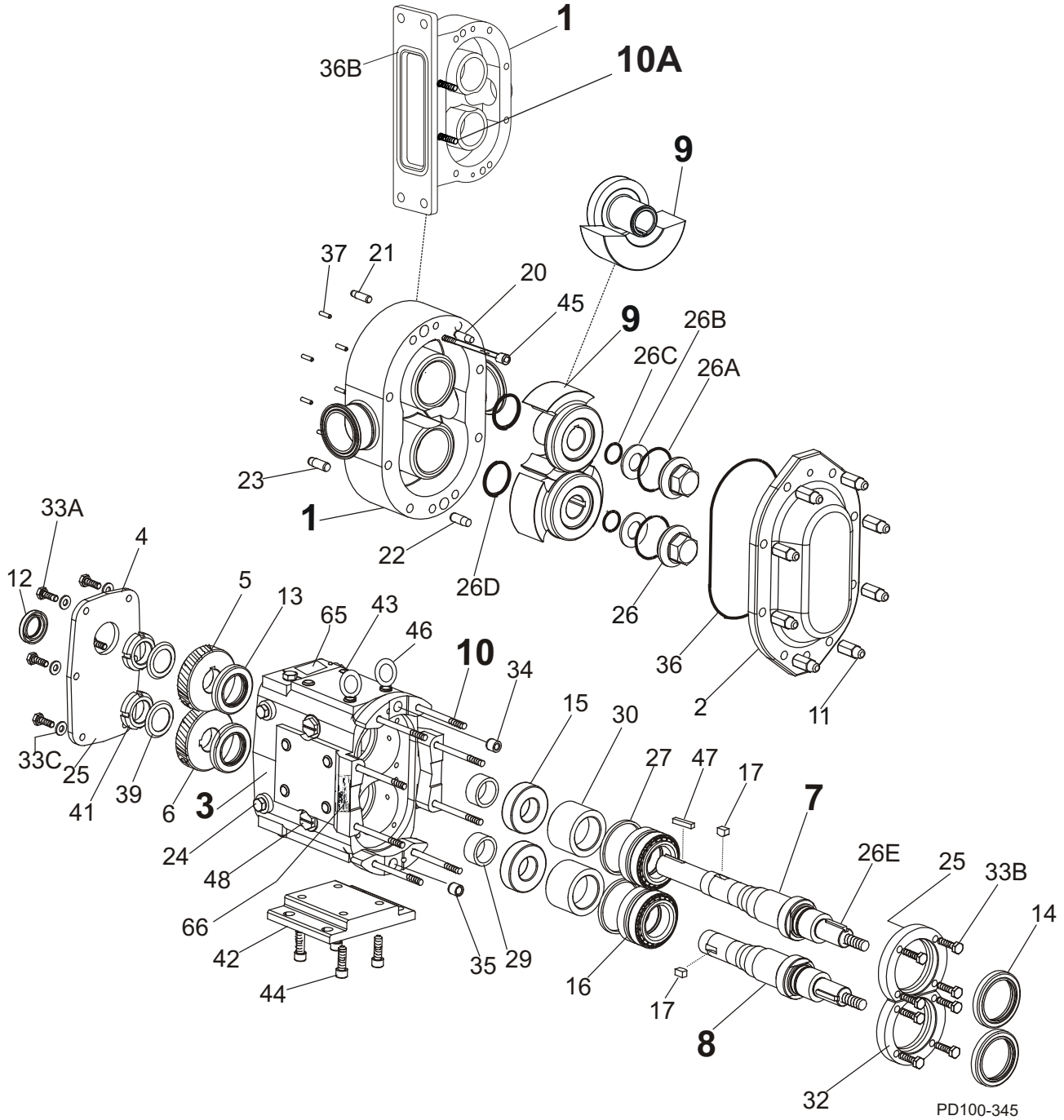
15. For an older gearcase without a threaded plug hole, use plug p/n 000121001+

16. For seals, see page 89.

17. For vented covers, see page 98.

47. For Shaft & Bearing assembly part numbers, see page 96.

180, 184, 220, 224-UII Pump Parts



PD100-345

180, 184, 220, 224-UII Pump Parts

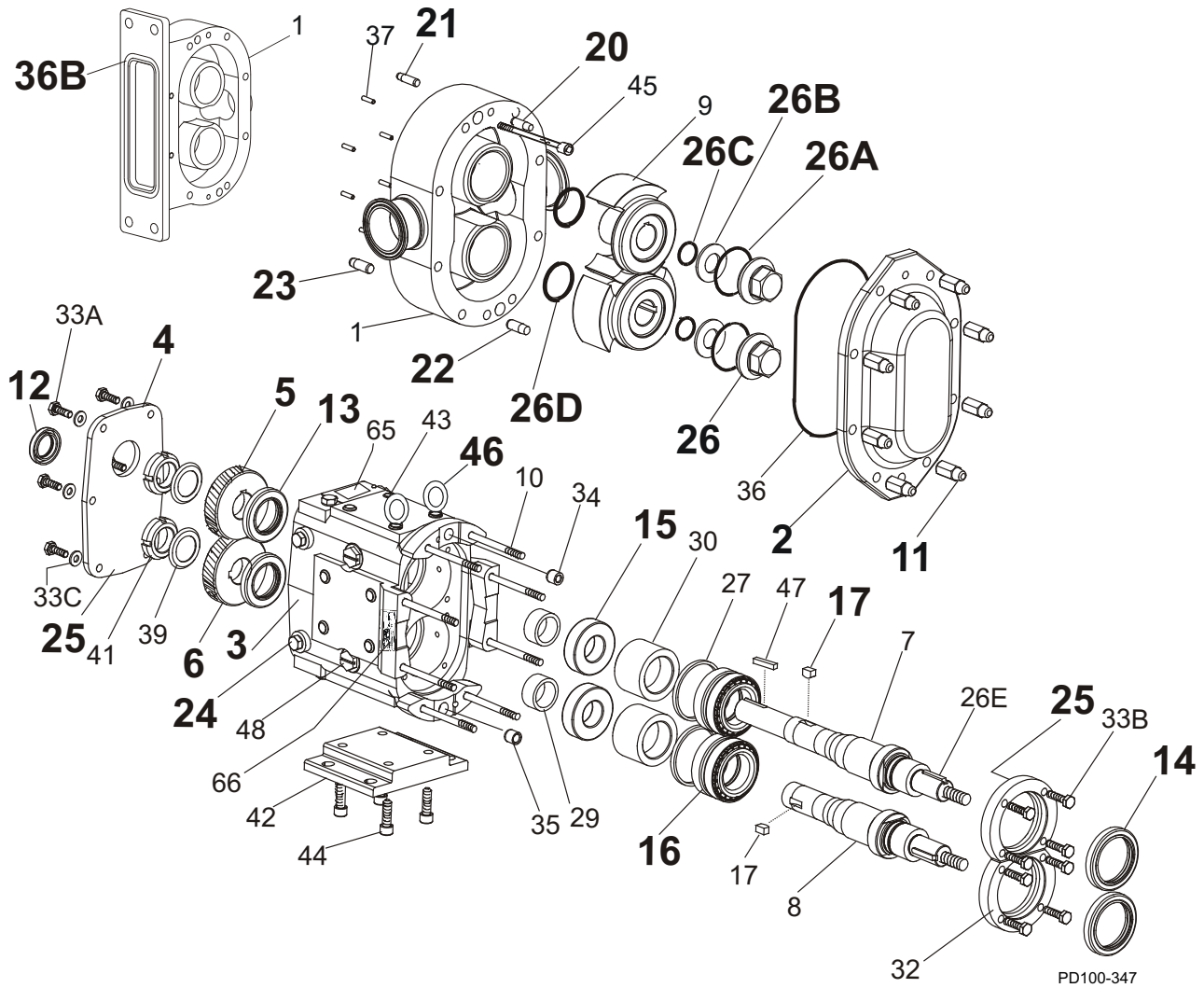
ITEM NO.	DESCRIPTION	QTY. PER PUMP	PART NO.	NOTES
1	180-UII Pump Body	1	See Note 1	1
	180-UII Pump Body with Flush	1	See Note 1	1
	184-UII Pump Body	1	See Note 1	1
	184-UII Pump Body with Flush	1	See Note 1	1
	220-UII Pump Body	1	See Note 1	1
	220-UII Pump Body with Flush	1	See Note 1	1
	224-UII Rectangular Flange Inlet Body	1	See Note 1	1
	224-UII Rect. Flange Inlet Body with Flush	1	See Note 1	1
3	Gear Case Assembly, CI, Model 180-184	1	111143-C	3
	Gear Case Assembly, SS; Model 180-184 (Optional)	1	112654-C	3
	Gear Case Assembly, CI, Model 220	1	102931-C	3
	Gear Case Assembly, SS; Model 220 (Optional)	1	102935-C	3
	Gear Case Assembly, CI, Model 224	1	115708-C	3
7	180-184-UII Drive Shaft	1	110023+	43
	220-224-UII Drive Shaft	1	108415+	43
8	180-184-UII Short Shaft	1	110024+	
	220-224 Short Shaft	1	108416+	
9	180-184-UII Rotor, Twin Wing, Alloy 88	2	107273+	2
	180-184-UII Rotor, Twin Wing, 316SS	2	107285+	2
	220-224 -UII Rotor, Twin Wing, Alloy 88	2	102187+	2
	220-224 -UII Rotor, Twin Wing, 316SS	2	102238+	2
	220-UII Single Wing, Alloy 88	2	117141+	2, 12, 13
10	180-UII Stud	8	107243+	
10	180-UII Stud, Jacketed Cover	8	112629+	
10	184-UII Stud	6	107243+	45
10A	184-UII Stud	2	35550+	45
10	184-UII Stud, Jacketed Cover	6	112629+	45
10A	184-UII Stud, Jacketed Cover	2	36144+	45
10	220-UII Stud	8	108844+	
10	220-UII Stud, Jacketed Cover	8	108847+	
10	224-UII Stud	6	108844+	45
10A	224-UII Stud	2	35550+	45
10	224-UII Stud, Jacketed Cover	6	108847+	45
10A	224-UII Stud, Jacketed Cover	2	36144+	45

PL5060-CH88

Notes:

- Contact customer service with Serial Number of pump for Part Number.
- Standard clearances and finishes for Rotor Part Numbers shown. Contact customer service for optional clearances and finishes.
- Gear Case Assemblies listed are upper drive, side mount left hand, and include shafts and timing gears. CI assemblies are painted WCB blue. Contact customer service for other options.
- Replaces (obsolete) P/Ns 104764 (straight) and 104893 (90 degree) rotors.
- Single wing rotors cannot be used with Rectangular Flange Inlet Pumps.
- Tru-Fit drive shaft is longer than the standard drive shaft listed here. See page 100.
- For RF models, qty. 6 of item 10 and qty. 2 of item 10A are required.
- For Shaft & Bearing assembly part numbers, see page 96.

180, 184, 220, 224-UII Common Parts



180, 184, 220, 224-UII Common Parts

ITEM NO.	DESCRIPTION	QTY. PER PUMP	PART NO.	NOTES
2	Pump Cover	1	101851+	
	Jacketed Cover	1	107670+	
	Pump Cover Vented - Complete Assembly			1
4	Gear Case Cover, Steel	1	230106000+	
	Gear Case Cover, SS; Optional	1	102283+	
5	Gear, Drive Shaft, Spur	1	110932+	
6	Gear, Short Shaft, Spur	1	110932+	
11	Hex Nut	8	108372+	
	Wing Nut, Optional	8	105853+	
12	Oil Seal, Gear Case Cover	1	STD030006	
13	Oil Seal, Gear Case Rear	2	STD119002	
14	Grease Seal, Bearing Retainer	2	121681+	3
15	Bearing, Rear	2	200035000+	
16	Bearing, Front	2	200036000+	
17	Key, Gear	2	200037000+	
20	Dowel Pin, Upper Cover Side	1	124586+	43
21	Dowel Pin, Upper Gear Case Side	1	124584+	44
22	Dowel Pin, Lower Cover Side	1	137005+	43
23	Dowel Pin, Lower Gear Case Side	1	137004+	44
24	Oil Plug, M20 x 1.5"	5	115798+	40
	Oil Level Indicator, M20 x 1.5"	1	115799+	40
25	Silicone Sealant	1	000142301+	
26	Nut, Rotor	2	101807+	
* 26A	O-Ring, Rotor Nut, Buna N	2	N70235	
	O-Ring, Rotor Nut, EPDM	2	E70235	
	O-Ring, Rotor Nut, FKM	2	V70235	
26B	Belleville Washer	2	101694+	
* 26C	O-Ring, Retainer, Buna N	2	N70122	
	O-Ring, Retainer, EPDM	2	E70122	
	O-Ring, Retainer, FKM	2	V70122	
* 26D	O-Ring, Rotor Hub, Buna N	2	N70230	
	O-Ring, Rotor Hub, EPDM	2	E70230	
	O-Ring, Rotor Hub, FKM	2	V70230	

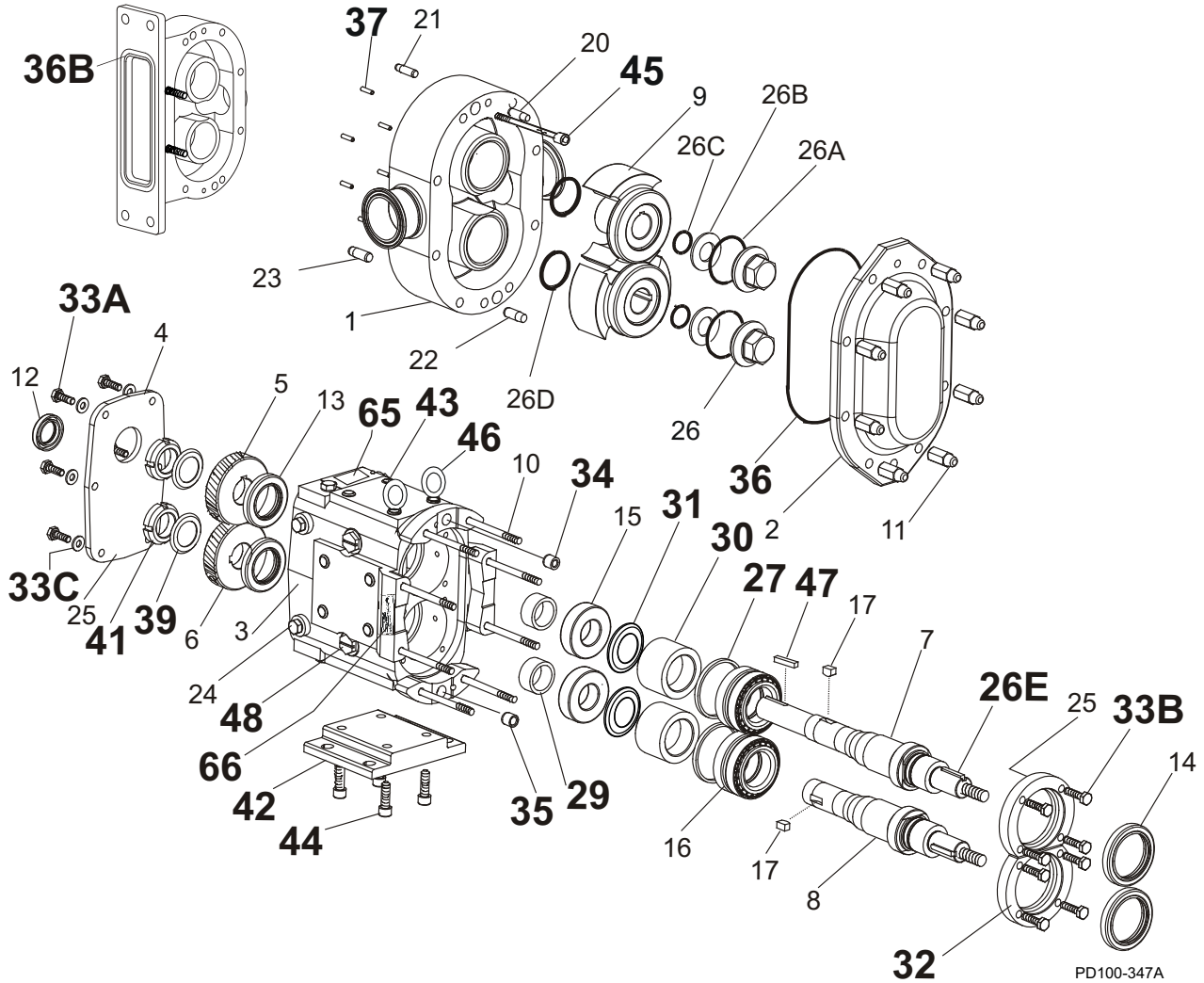
PL5060-CH89

Notes:

* Recommended spare parts

1. Please configure in E-Sales.
3. For bearing isolator kit, see page 97.
40. Applies to pumps shipped after October 2003. Pumps shipped prior to October 2003 used qty 6 of plug w/washer, part number 000046004+.
43. Exposed length of dowel pin: .444" (11.3 mm)
44. Exposed length of dowel pin: .563" (14.3 mm)
47. For Shaft & Bearing assembly part numbers, see page 96.

180, 184, 220, 224-UII Common Parts, cont'd



PD100-347A

Notes: (See "Notes" column on page 79)

*** Recommended Spare Parts**

- 1. For pumps purchased before about 1990, replace both spacers, as 40878+ will not work correctly with the old design spacer (200055000).
- 3. For pumps manufactured after July 2004. For bearing isolator kit, and for pumps prior to July 2004, see page 97.
- 15. For an older gearcase without a threaded plug hole, use plug p/n 000121001+
- 16. For seals, see page 89. For vented covers, see page 98.
- 47. For Shaft & Bearing assembly part numbers, see page 96.

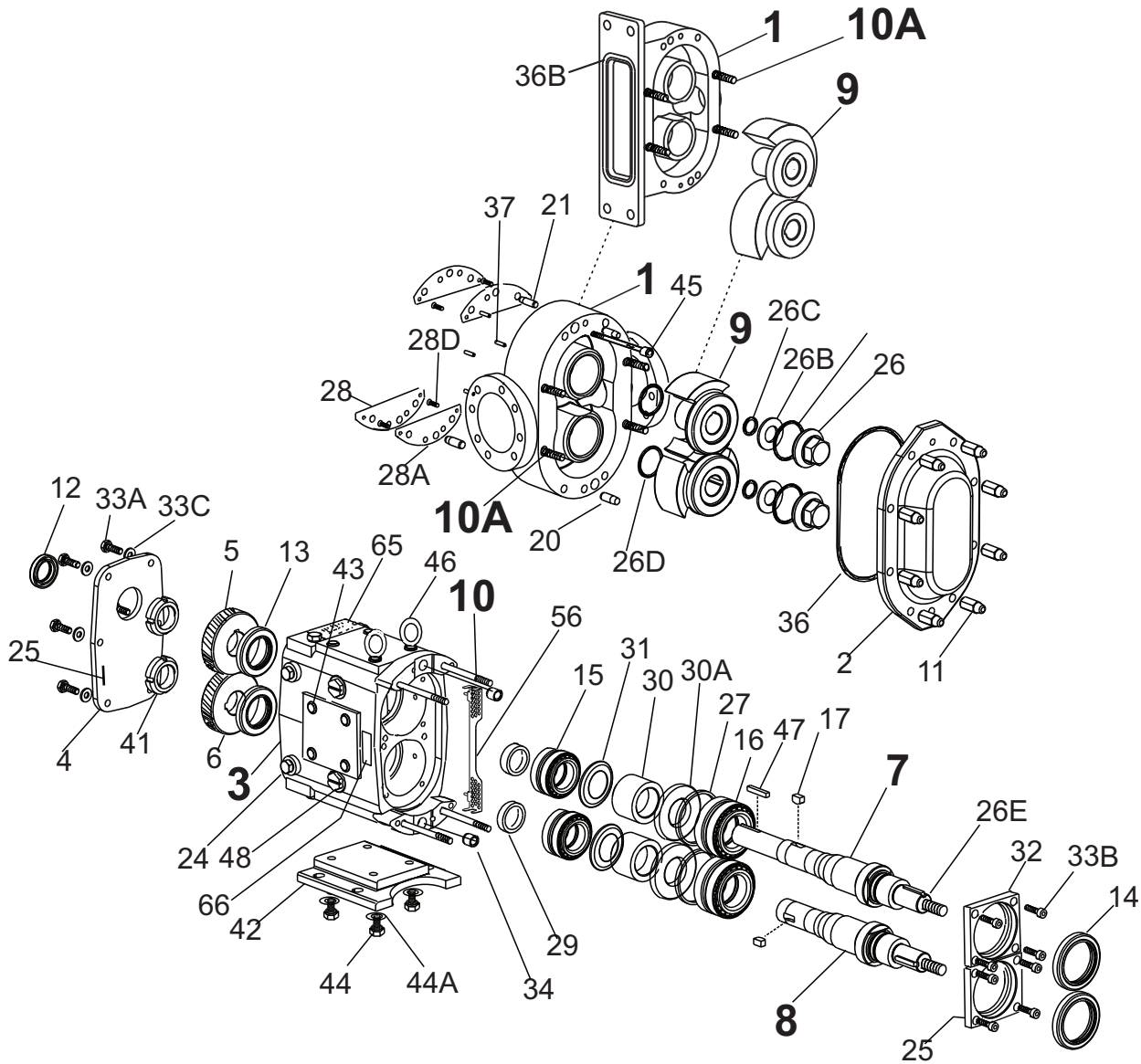
180, 184, 220, 224-UII Common Parts, cont'd

ITEM NO.	DESCRIPTION	QTY. PER PUMP	PART NO.	NOTES
26E	180-184-UII Key, Rotor	2	101828+	
	220-224-UII Key, Rotor	2	101827+	
27	Shim Kit	2	117892+	
29	Spacer, Gear to Rear Bearing	2	40878+	1
30	Bearing Spacer	2	40752+	
32	Bearing Retainer, Front, SS	2	121829+	3
	Bearing Retainer, Front, SS, used with bearing isolators	2	101813+	3
33A	3/8-16 x 3/4" HHCS, SS Gear Case Cover	8	30-50	
33B	3/8-16 x 1-1/4" HHCS, SS Bearing Retainer	8	30-60	
33C	3/8" Flat Washer, Gear Case Cover	8	43-30	
34	Dowel Bushing, Upper	1	CD0116000	
35	Dowel Bushing, Lower	1	CD0116100	
* 36	O-Ring, Pump Cover, Buna N	1	N70381	
	O-Ring, Pump Cover, EPDM	1	E70381	
	O-Ring, Pump Cover, FKM	1	V70381	
	O-Ring, Pump Cover, Silicone	1	S75381	
* 36B	184-UII O-ring, Rectangular Flange, Buna N	1	N70374	
	184-UII O-ring, Rectangular Flange, EPDM	1	E70374	
	184-UII O-ring, Rectangular Flange, FKM	1	V70374	
	224-UII O-Ring, Rectangular Flange, Buna N	1	N70376	
	224-UII O-Ring, Rectangular Flange, EPDM	1	E70376	
	224-UII O-Ring, Rectangular Flange, FKM	1	V70376	
37	Stop Pin, Seal	6	101720+	
39	Lockwasher, Gear	2	STD136011	
41	Locknut, Gear	2	STD236011	
42	Gear Case Shim, CI	1	230110000+	
	Gear Case Shim, SS; Optional	1	102287+	
	Pump Pedestal, 9", Optional	1	GD0110SM9	
	Pump Pedestal, 13", Optional	1	GD0110SM1	
43	Plastic Cap Plug	6	000121001+	
44	1/2-13 x 2" SS SHCS	4	30-44	
45	180-184-UII Body Retaining Screws, 3/8-16 x 4"	2	30-323	
	220-224-UII Body Retaining Screws, 3/8-16 x 4-1/2"	2	30-499	
46	Eye Bolt, 1/2 -13	2	30-360	
47	Key, Coupling - 1/2 x 1/2 x 1-7/8"	1	000037004+	
	Key, Coupling - Tru-Fit	1	119717+	
48	Cleanout Plug	2	41013+	15
61	Name Plate, Sanitary	1	001061015+	
62	#2 x .187" RHDS	4	30-355	
65	Caution Plate	2	121694+	
66	Warning Label	2	33-60	
67	180-184-220-UII Grease Fitting, 1/8" (straight)	4	BD0092000	
	224-UII Grease Fitting, 1/8" (angled)	4	BD0092100	
68	Plastic Cap, Grease Fitting	4	BD0093000	

PL5060-CH90

Notes: See page 78.

210, 213, 214, 320, 323, 324, 370-UII Pump Parts



PD100-354

Notes (see "Notes" column on page 81):

1. Contact customer service with Serial Number of pump for Part Number.
2. Standard clearances and finishes for Rotor Part Numbers shown. Contact customer service for optional clearances and finishes.
3. Gear Case Assemblies listed are upper drive, side mount left hand, and include shafts and timing gears. CI assemblies are painted WCB blue. Contact customer service for other options.
12. Replaces (obsolete) P/Ns 107662 (straight) and 107663 (90 degree) rotors.
43. Tru-Fit drive shaft is longer than the standard drive shaft listed here. See page 100.
47. For Shaft & Bearing assembly part numbers, see page 96.

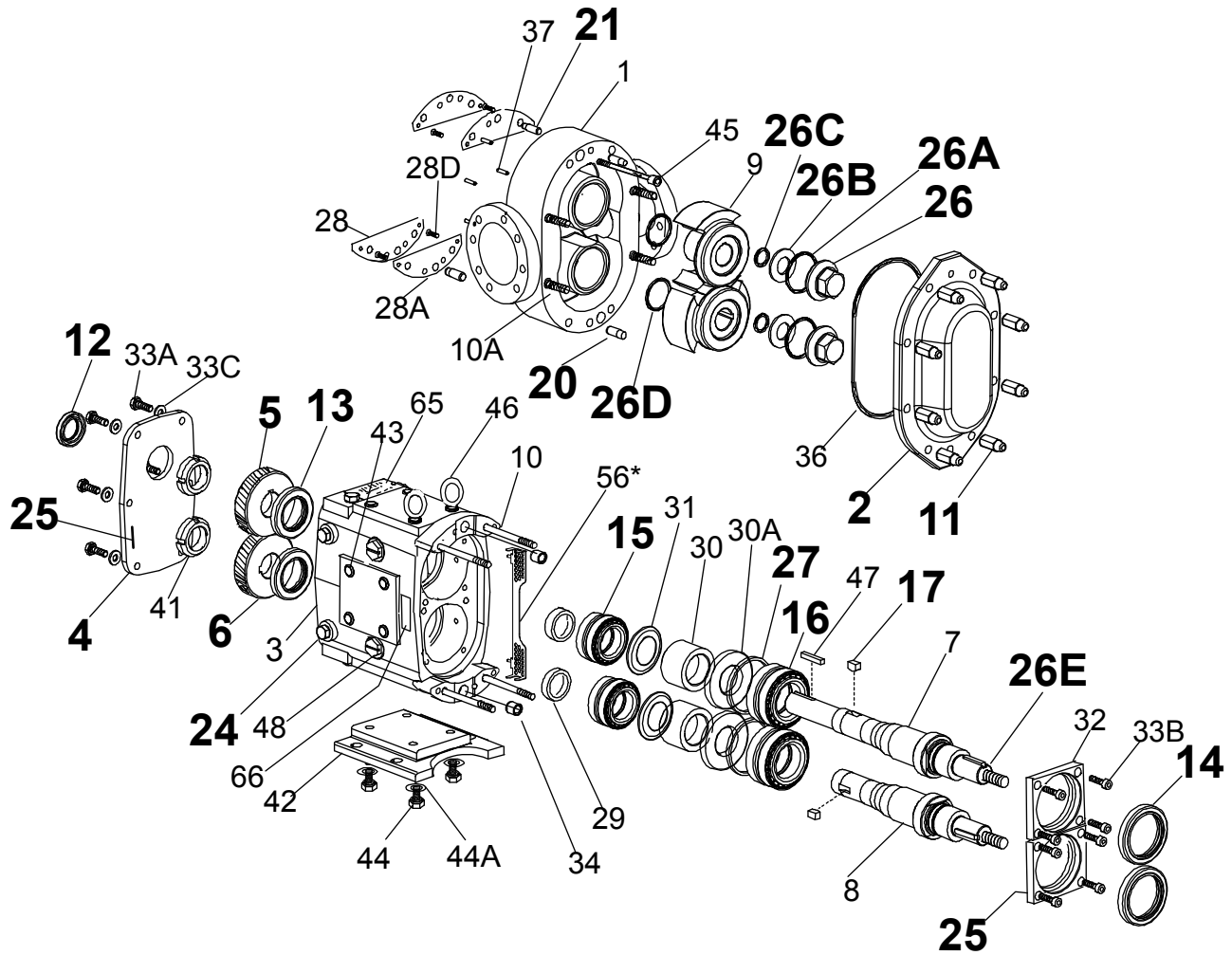
210, 213, 214, 320, 323, 324, 370-Ull Pump Parts

ITEM NO.	DESCRIPTION	QTY. PER PUMP	PART NO.	NOTES
1	210-Ull Pump Body	1	See Note 1	1
	210-Ull Pump Body with Flush	1	See Note 1	1
	213-Ull Pump Body	1	See Note 1	1
	214-Ull Pump Body	1	See Note 1	1
	214-Ull Pump Body with Flush	1	See Note 1	1
	320-Ull Pump Body	1	See Note 1	1
	320-Ull Pump Body with Flush	1	See Note 1	1
	323-Ull Pump Body	1	See Note 1	1
	324-Ull Pump Body	1	See Note 1	1
	324-Ull Pump Body with Flush	1	See Note 1	1
	370-Ull Pump Body	1	See Note 1	1
	370-Ull Pump Body with Flush	1	See Note 1	1
3	Gear Case Assembly, CI, Model 210-213	1	112709-C	3
	Gear Case Assembly, CI, Model 214	1	112709B-C	3
	Gear Case Assembly, CI, Model 320-323-370	1	105479-C	3
	Gear Case Assembly, CI, Model 324	1	105479B-C	3
7	210-214-Ull Drive Shaft	1	112186+	43
	213-Ull Drive Shaft	1	112188+	43
	320-324-Ull Drive Shaft	1	108417+	43
	323-Ull Drive Shaft	1	113960+	43
	370-Ull Drive Shaft	1	124839+	43
8	210-214-Ull Short Shaft	1	112187+	
	213-Ull Short Shaft	1	112189+	
	320-324-Ull Short Shaft	1	108418+	
	323-Ull Short Shaft	1	113961+	
	370-Ull Short Shaft	1	124840+	
9	210-213-214-Ull Rotor, Twin Wing, Alloy 88	2	112199+	2
	210-213-214-Ull Rotor, Twin Wing, 316SS	2	112211+	2
	210-213-214-Ull Rotor, Single Wing, Alloy 88	2	117220+	2
	320-324-Ull Rotor, Twin Wing, Alloy 88	2	105427+	2
	320-324-Ull Rotor, Twin Wing, 316SS	2	105439+	2
	320-324-Ull Rotor, Single Wing, Alloy 88	2	117153+	2, 12
	323-Ull Rotor, Twin Wing, Alloy 88	2	114022+	2
	370-Ull Rotor, Twin Wing, Alloy 88	2	124849+	2
	370-Ull Rotor, Twin Wing, 316SS	2	124861+	2
10	210-213-214-320-323-324-Ull Stud, Long	4	112191+	
	370-Ull Stud, Long	4	124838+	
10A	214-324-Ull Stud, Short	2	111292+	
		2	40699+	
	210-213-320-323-370-Ull Stud, Short	4	111292+	

PL5060-CH93

Notes: See page 80.

210, 213, 214, 320, 323, 324, 370-UII Common Parts



PD100-353

210, 213, 214, 320, 323, 324, 370--Ull Common Parts

ITEM NO.	DESCRIPTION	QTY PER PUMP	PART NO.	NOTES
2	210-224-Ull Pump Cover	1	112865+	
	210-224-Ull Jacketed Cover	1	116342+	
	320-324-370-Ull Pump Cover	1	109974+	
	320-324-370-Ull Jacketed Cover	1	114359+	
	213-323-Ull Pump Cover	1	114020+	
4	Gear Case Cover, Steel	1	40669+	
5	Gear, Drive Shaft, Spur	1	102470+	
6	Gear, Short Shaft, Spur	1	102470+	
11	Hex Nut	8	108373+	
	Wing Nut, Optional	8	110858+	
12	Oil Seal, Gear Case Cover	1	STD030004	
13	Oil Seal, Gear Case Rear	2	102475+	3
14	Grease Seal, Bearing Retainer	2	121681+	4
15	Bearing, Rear	2	0H1036000	
16	Bearing, Front	2	0H1036003	
17	Key, Gear	2	0H1037000	
20	Dowel Pins, Cover Side	2	0H1040000	43
21	Dowel Pins, Gear Case Side	2	105871+	44
24	Oil Plug, M20 x 1.5"	5	115798+	40
	Oil Level Indicator, M20 x 1.5"	1	115799+	40
	Oil Level Indicator, ATEX, M20 x 1.5	1	131417+	
25	Silicone Sealant	1	000142301+	
26	Nut, Rotor	2	105409+	
* 26A	O-Ring, Rotor Nut, Buna N	2	N70237	
	O-Ring, Rotor Nut, EPDM	2	E70237	
	O-Ring, Rotor Nut, FKM	2	V70237	
	O-Ring, Rotor Nut, Silicone	2	S75237	
26B	Washer, Belleville	2	105411+	
* 26C	O-Ring, Retainer, Buna N	2	N70125	
	O-Ring, Retainer, EPDM	2	E70125	
	O-Ring, Retainer, FKM	2	V70125	
	O-Ring, Retainer, Silicone	2	S75125	
* 26D	O-Ring, Rotor Hub, Buna N	2	N70232	
	O-Ring, Rotor Hub, EPDM	2	E70232	
	O-Ring, Rotor Hub, FKM	2	V70232	
	O-Ring, Rotor Hub, Silicone	2	S75232	
26E	210-213-224-Ull Key, Rotor	2	105422+	
	320-323-324-370-Ull Key, Rotor	2	105421+	
27	Shim Kit	2	117893+	

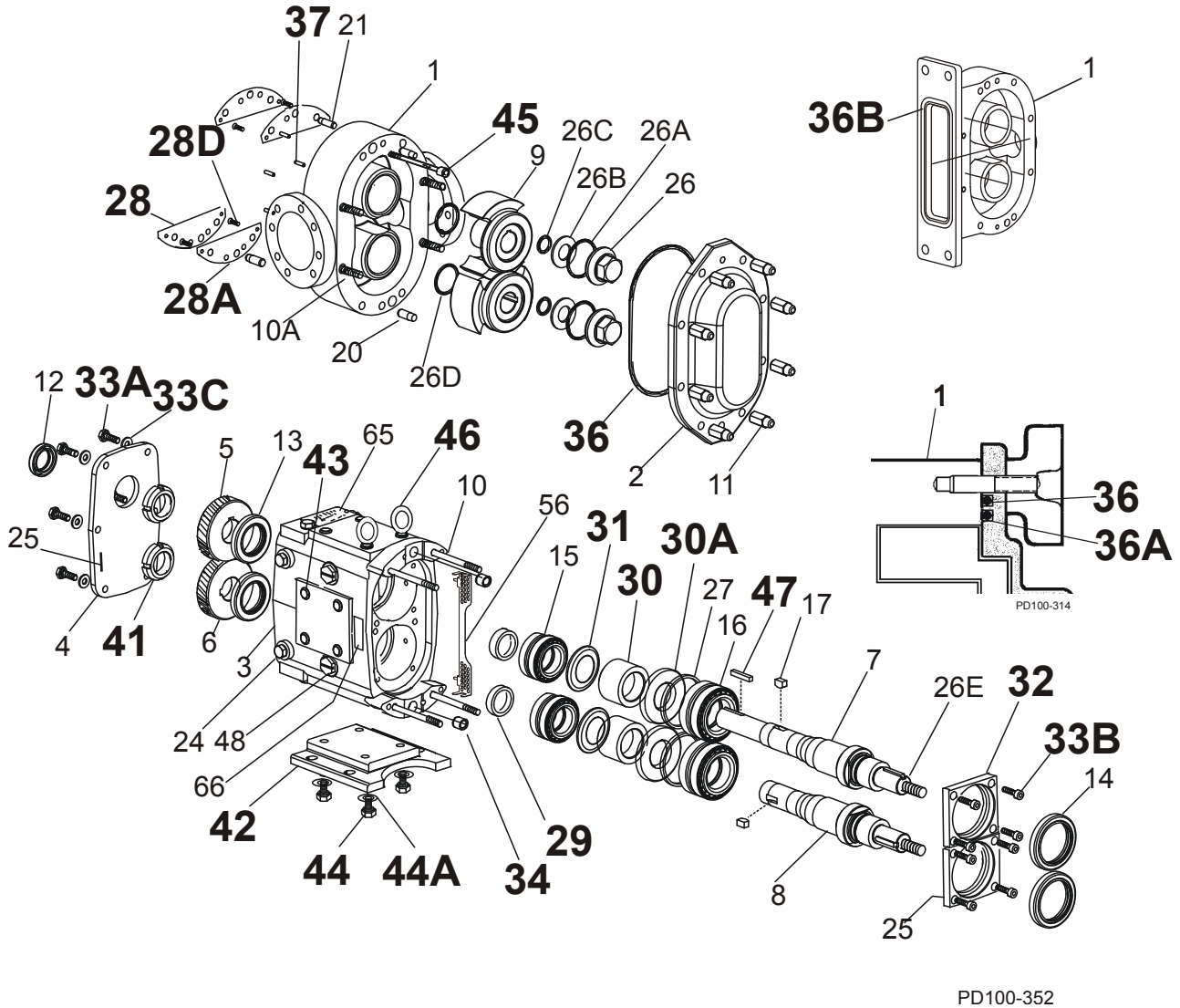
PL5060-CH94

Notes:

* Recommended Spare Parts

3. Applies to pumps shipped after July 2001. Prior to this date, this part was not required. Check the pump serial number to verify the date of manufacture and identify the part number required.
4. For pumps manufactured after July 2004. For bearing isolator kit, and for pumps prior to July 2004, see page 97.
40. Applies to pumps shipped after October 2003. Pumps shipped prior to October 2003 used qty 6 of plug with washer, part number 000046004+.
43. Exposed length of dowel pin: .75" (19 mm)
44. Exposed length of dowel pin: 1.125" (28.6 mm)
47. For Shaft & Bearing assembly part numbers, see page 96.

210, 213, 214, 320, 323, 324, 370-UII Common Parts, cont'd



ITEM NO.	DESCRIPTION	QTY. PER PUMP	PART NO.	NOTES
28	Shim Plate	2	105426+	
28A	Shims, Body, .002	AR	105866+	
	Shims, Body, .003	AR	105867+	
	Shims, Body, .005	AR	105868+	
	Shims, Body, .010	AR	105869+	
	Shims, Body, .020	AR	105870+	
28D	5/16-18 x 1" FHSCS	4	30-612	

PL5060-CH95

Notes: (See "Notes" column on page 85)

* Recommended Spare Parts

- 3. Pumps shipped prior to July 30, 2001.
- 4. Pumps shipped starting July 30, 2001
- 5. For pumps older than July 2004, and for bearing isolator kit, see page 97.
- 11. Used on 213-UII and 323-UII only.
- 16. For seals, see page 89.
- 17. For vented covers, see page 98.
- 47. For Shaft & Bearing assembly part numbers, see page 96.

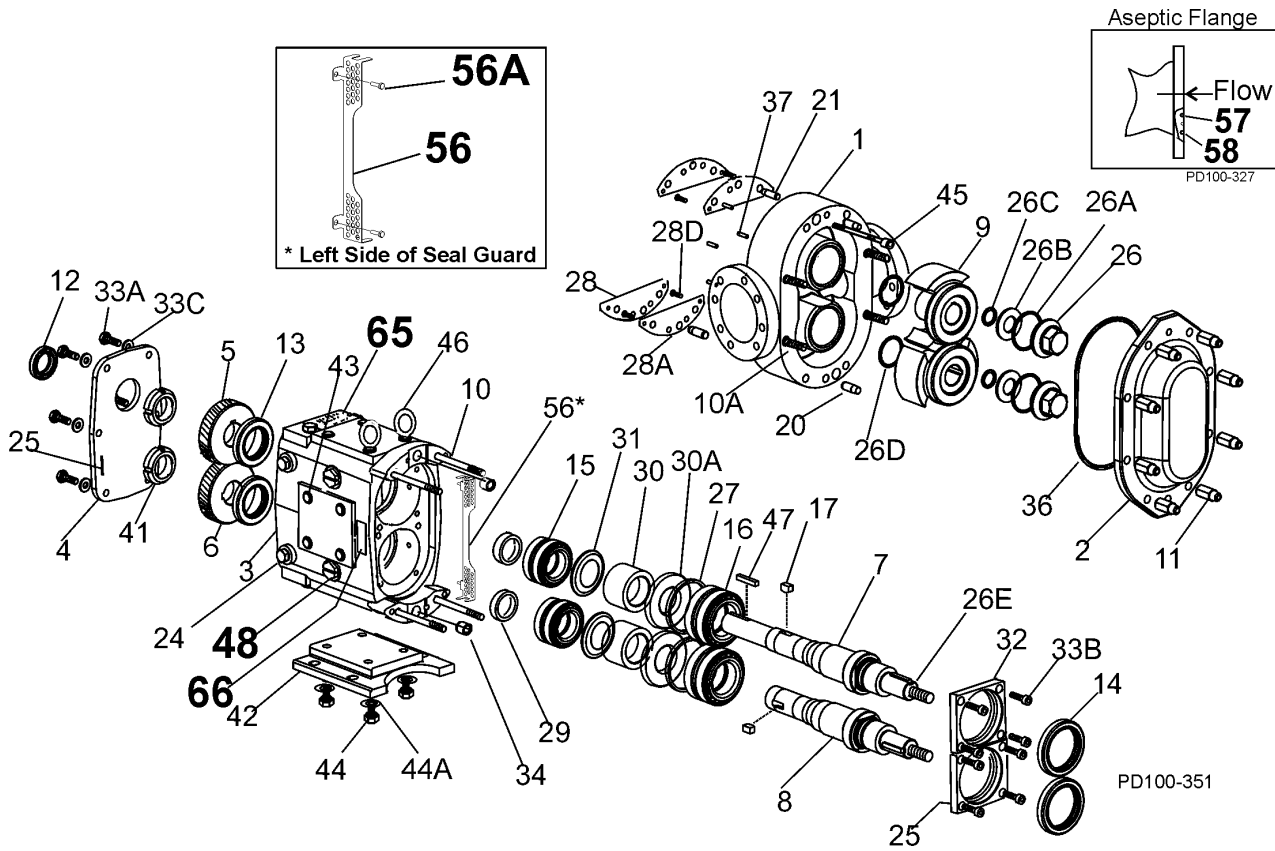
210, 213, 214, 320, 323, 324, 370-UII Common Parts, cont'd

ITEM NO.	DESCRIPTION	QTY. PER PUMP	PART NO.	NOTES
29	Spacer, Gear to Rear Bearing	2	102474+	4
	Spacer, Gear to Rear Bearing		117691+	3
30	Bearing Spacer	2	102472+	
30A	Spacer Seal	2	102473+	
31	Retainer, Grease	2	STD091000	
32	Bearing Retainer, Front	2	123533+	5
	Bearing Retainer, Front, SS, used with bearing isolators		121141+	5
33A	3/8-16 x .75" HHCS	6	30-50	
33B	5/16-18 x 1" HHCS	8	30-34	
33C	3/8" Flat Washer	6	43-30	
34	Dowel Bushings	2	0H1116000	
*	210-224-UII O-Ring, Pump Cover, Buna N	1	N70382	
	210-224-UII O-Ring, Pump Cover, EPDM	1	E70382	
	210-224-UII O-Ring, Pump Cover, FKM	1	V70382	
	210-224-UII O-Ring, Pump Cover, Silicone	1	S75382	
	320-324-370-UII O-Ring, Pump Cover, Buna N	1	N70383	
	320-324-370-UII O-Ring, Pump Cover, EPDM	1	E70383	
	320-324-370-UII O-Ring, Pump Cover, FKM	1	V70383	
	320-324-370-UII O-Ring, Pump Cover, Silicone	1	S75383	
	213-323-UII O-Ring, Pump Cover, Outer, EPDM	1	323117012+	11
	213-323-UII O-Ring, Pump Cover, Outer, Silicone	1	323117013+	11
	213-323-UII O-Ring, Pump Cover, Outer, FKM	1	323117014+	11
*	213-323-UII O-Ring, Pump Cover, Inner, EPDM	1	323117002+	11
	213-323-UII O-Ring, Pump Cover, Inner, Silicone	1	323117003+	11
	213-323-UII O-Ring, Pump Cover, Inner, FKM	1	323117004+	11
*	214-UII Flange O-ring, Buna N	1	N70377	
	214-UII Flange O-ring, EPDM	1	E70377	
	214-UII Flange O-ring, FKM	1	V70377	
	324-UII Flange O-ring, Buna N	1	N70378	
	324-UII Flange O-ring, EPDM	1	E70378	
	324-UII Flange O-ring, FKM	1	V70378	
37	Stop Pin, Seal	6	102438+	
41	Locknut, Gear	2	105697+	
42	Gear Case Shim, CI	1	40288+	
	Pump Pedestal, 22", Optional	1	324110226+	
43	Plastic Cap Plug	8	000121001+	
44	1/2-13 x 1-3/4" HHCS	4	30-127X	
44A	Lock Washer, 1/2"	4	43-16	
45	210-213-214-UII Body Retaining Screws - 3/8-16 x 3-1/2"	2	30-326	
	320-323-324-UII Body Retaining Screws - 3/8-16 x 4-1/2"	2	30-323	
	370-UII Body Retaining Screws - 3/8-16 x 6"	2	30-717	
46	Eye Bolt	3	30-360	
47	Key, Coupling - 5/8 x 5/8 x 2-3/4"	1	000037005+	
	Key, Coupling - Tru-Fit	1	119718+	

PL5060-CH95a

Notes: See page 84.

210, 213, 214, 320, 323, 324, 370-UII Common Parts, cont'd



210, 213, 214, 320, 323, 324, 370-Ull Common Parts, cont'd

ITEM NO.	DESCRIPTION	QTY. (per pump)	PART NO.	NOTES
48	Cleanout Plug	2	41013+	15
56	210-213-Ull Seal Guard	2	113503+	
	214-Ull Seal Guard	1	113503+	
		1	126361+	
	320-323-370-Ull Seal Guard	2	113504+	
	324-Ull Seal Guard	1	113504+	
1		126360+		
56A	1/4 - 20 x 3/8" HHCS	4	30-68	
60A	1/8-27 Aseptic Connection Pipe Plugs	10	STD128500	11
61	Name Plate, Sanitary	1	135624+	
62	#2 x .187" RHDS	4	30-355	
65	Caution Plate	2	121694+	
66	Warning Label	2	33-60	
67	Grease Fitting, 1/8"	4	BD0092000	1
68	Plastic Cap, Grease Fitting	4	BD0093000	

Notes:

PL5060-CH96

* Recommended Spare Parts

1. This grease fitting is the straight style. Part number BD0092100 is the angled style.

11. Used on 213-Ull and 323-Ull only.

15. For an older gearcase without a threaded plug hole, use plug p/n 000121001+

Aseptic Flange

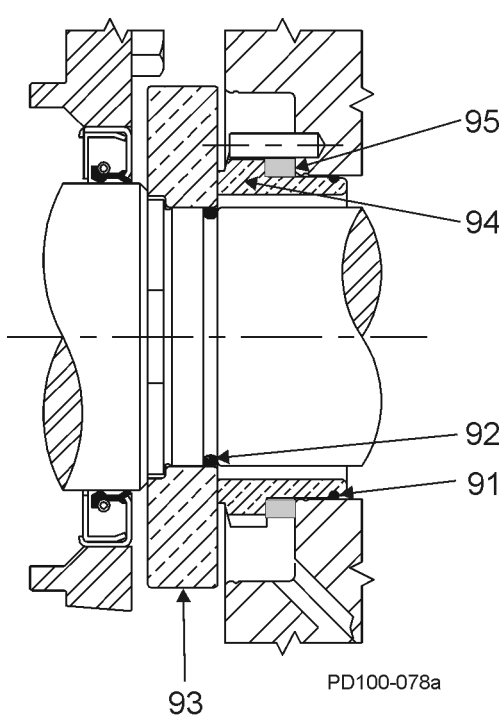
ITEM NO.	DESCRIPTION	QTY. (per pump)	PART NO.		NOTES
			213-Ull	323-Ull	
*	O-Ring, Port, Inner, EPDM	2	E70245	E70261	11
	O-Ring, Port, Inner, FKM	2	V70245	V70261	11
	O-Ring, Port, Inner, Silicone	2	S75245	S75261	11
*	O-Ring, Port, Outer, EPDM	2	E70251	E70265	11
	O-Ring, Port, Outer, FKM	2	V70251	V70265	11
	O-Ring, Port, Outer, Silicone	2	S75251	S75265	11

Notes:

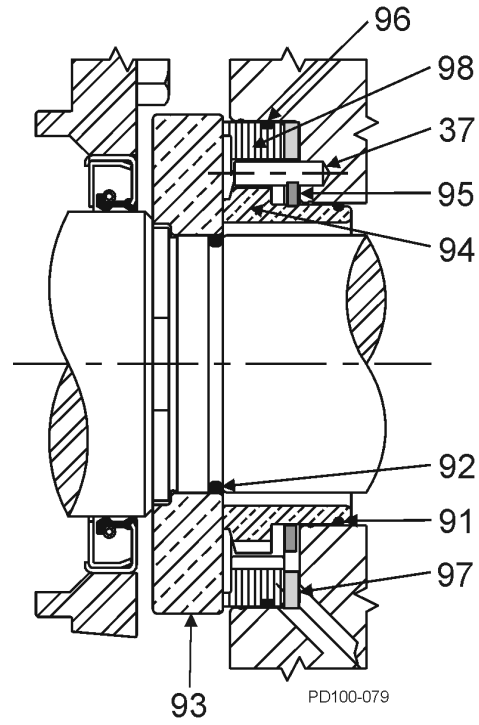
PL5060-CH96a

11. Used on 213-Ull and 323-Ull only.

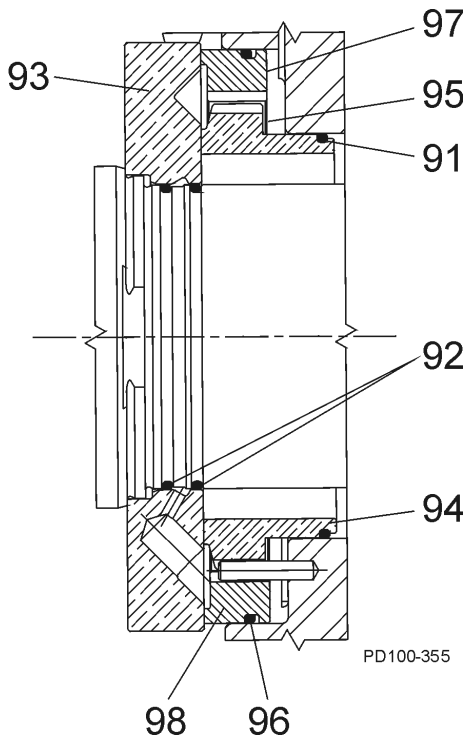
Universal II Standard Seals



Standard Single Mechanical Seal



Standard Double Mechanical Seal



**Aseptic Design Double Mechanical Seal
(213, 323 UII ONLY)**

Universal II Standard Seals

ITEM NO.	DESCRIPTION	QTY. PER PUMP	PART NO. (by model)						NOTES
			006, 014, 015, 018 UII	030, 034, 040 UII	045, 060, 064, 130, 134 UII	180, 220, 224 UII	210, 214, 320, 324, 370 UII	213, 323 UII (see Note 5)	
* 91	O-Ring, Inner Seal, Buna N	2	N70028	N70031	N70035	N70041	N70154		
* 91	O-Ring, Inner Seal, EPDM		E70028	E70031	E70035	E70041	E70154		
* 91	O-Ring, Inner Seal, FKM		V70028	V70031	V70035	V70041	V70154		
* 92	O-Ring, Shaft, Buna N	2 (see Note 1)	N70024	N70029	N70133	N70145	N70149		1
* 92	O-Ring, Shaft, EPDM		E70024	E70029	E70133	E70145	E70149		
* 92	O-Ring, Shaft, FKM		V70024	V70029	V70133	V70145	V70149		
* 93	Seal Seat, Ceramic	2	101667+	101670+	101673+	101676+	105416+		
* 93	Seal Seat, Silicon Carbide		101668+	101671+	101674+	101677+	105417+	112192+	
* 94	Seal Inner, Carbon	2	101651+	101655+	101659+	101663+	105412+		
* 94	Seal Inner, Ceramic		101652+	101656+	101660+	101664+	105413+		
* 94	Seal Inner, Silicon Carbide		101653+	101657+	101661+	101665+	105414+		
* 94	Seal Inner, Tungsten Carbide		101654+	101658+	101662+	101666+	105415+		
* 95	Wave Spring, Inner Seal	2	101683+	101685+	101687+	101689+	105419+		
* 96	O-Ring, Outer Seal, Buna N	2	N70035	N70041	N70043	N70046	N70160		2
* 96	O-Ring, Outer Seal, EPDM		E70035	E70041	E70043	E70046	E70160		
* 96	O-Ring, Outer Seal, FKM		V70035	V70041	V70043	V70046	V70160		
* 97	Wave Spring, Outer Seal	2	101684+	101686+	101688+	101690+	105420+		2
* 98	Outer Seal, Carbon	2	101679+	101680+	101681+	101682+	105418+		2

PL5060-CH75b

Notes:

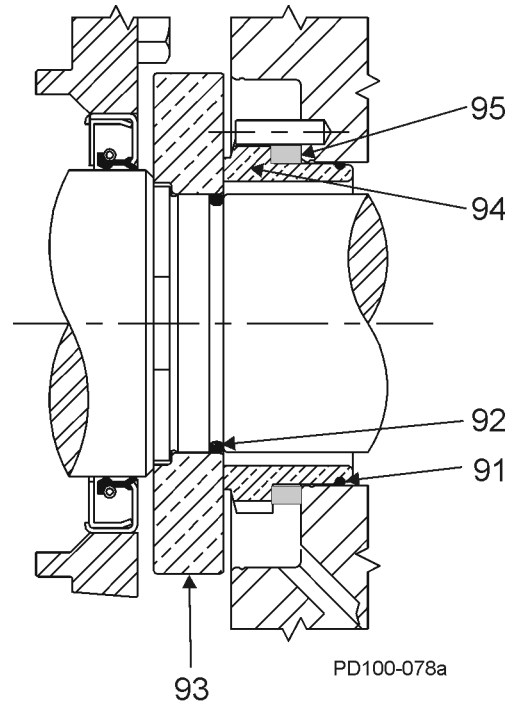
- * Recommended Spare Parts
- 1. Qty. (4) needed per pump on 213-UII and 323-UII.
- 2. Double Mechanical Seal design only.
- 5. Aseptic 213 and 323-UII pumps are available only with a double mechanical seal.
- 6. See page 50 for o-ring selections, descriptions and color codes.

Universal II Specialty Seals

Universal II Narrow Face (NF) Seals

The Universal II Narrow Face (NF) Seal is available in the Single Mechanical Seal Design only. The smaller diameter rotating seal seat (item 93) is only used with the NF Seal.

(Standard Single Mechanical Seal shown for reference)



Standard Single Mechanical Seal

Universal II High-Pressure Barrier (HPB) Seals

The Universal II High Pressure Barrier (HPB) Seal is available in the Double Mechanical Seal Design only.

The maximum barrier pressure is 100 psi.

Recommended seal flush flow is 1/8 gpm.

To calculate the barrier pressure to ensure that the barrier fluid is on the seal instead of the product:

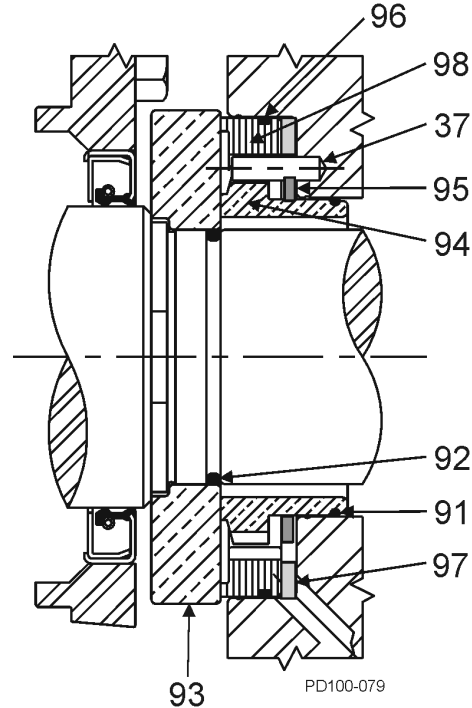
$$((D_p - S_p) \times 30\%) + S_p + 30 \text{ psi} = B_p$$

Dp = pump discharge pressure

Sp = pump suction pressure

Bp = flush water pressure

(Standard Double Mechanical Seal shown for reference)



Standard Double Mechanical Seal

Universal II Specialty Seals

ITEM NO.	DESCRIPTION	QTY. PER PUMP	PART NO. (by model)					NOTES
			006, 014, 015, 018 UII	030, 034, 040 UII	045, 060, 064, 130, 134 UII	180, 220, 224 UII	210, 214, 320, 324, 370 UII	
* 91	O-Ring, Inner Seal, Buna N	2	N70028	N70031	N70035	N70041	N70154	
*	O-Ring, Inner Seal, EPDM		E70028	E70031	E70035	E70041	E70154	
*	O-Ring, Inner Seal, FKM		V70028	V70031	V70035	V70041	V70154	
* 92	O-Ring, Shaft, Buna N	2	N70024	N70029	N70133	N70145	N70149	
*	O-Ring, Shaft, EPDM		E70024	E70029	E70133	E70145	E70149	
*	O-Ring, Shaft, FKM		V70024	V70029	V70133	V70145	V70149	
* 93	NF Seal Seat, Silicon Carbide	2	124743+	124745+	124747+	124749+	124751+	3, 4
*	NF Seal Seat, Tungsten Carbide		124744+	124746+	124748+	124750+	124752+	
*	HPB Seal Seat, Ceramic		101667+	101670+	101673+	101676+	105416+	2, 4
*	HPB Seal Seat, Silicon Carbide		101668+	101671+	101674+	101677+	105417+	
* 94	NF Seal, Inner, Silicon Carbide	2	124734+	124736+	124738+	124740+	124742+	3, 4
*	NF Seal, Inner, Tungsten Carbide		124733+	124735+	124737+	124739+	124741+	
*	HPB Seal, Inner, Silicon Carbide		110821+	110823+	110825+	110827+	110829+	2, 4
*	HPB Seal, Inner, Tungsten Carbide		122324+	122325+	122326+	122327+	122328+	
95	Wave Spring, Inner Seal	2	101683+	101685+	101687+	101689+	105419+	
* 96	O-Ring, Outer Seal, Buna N	2	N70035	N70041	N70043	N70046	N70160	2
*	O-Ring, Outer Seal, EPDM		E70035	E70041	E70043	E70046	E70160	
*	O-Ring, Outer Seal, FKM		V70035	V70041	V70043	V70046	V70160	
97	Wave Spring, Outer Seal	2	101684+	101686+	101688+	101690+	105420+	2
* 98	Outer Seal, Carbon	2	101679+	101680+	101681+	101682+	105418+	2

PL5060-CH75a

Notes:

- * Recommended Spare Parts
- 2. Double Mechanical Seal design only.
- 3. Single Mechanical Seal design only.
- 4. HPB and NF seals are NOT available on the 213-UII or 323-UII.
- 6. See page 50 for o-ring selections, descriptions and color codes.