

## EQUIPRO

KME • HME

CENTRIFUGAL VERTICAL SUMP PUMPS  
IMMERSED OR EXTERNAL INSTALLATION

PP • PVDF

50 Hz



SINCE 1975

EN

# VERTICAL SUMP PUMPS

MADE OF PP • PVDF

These centrifugal sump pumps are made of thermo-plastic polymers, they are close-coupled with the axial hydraulic connection directed downward. They were specifically designed for pumping corrosive liquids and with a particular construction to guarantee a longer life time and higher efficiency.

No metal part is in contact with the liquid pumped and no liquid leakage is verified thanks to use of a device of vapour sealing in static and dynamic conditions.

**EQUIPRO** pumps are available in two versions: **KME** and **HME**.

**HME** versions have two fixed length of 275 and 450mm. They were designed with a cantilevered shaft, with no lower guide. It is ideal for applications with fluids laden with solids and they can run-dry without damage.

## Series HME

.....  
column length (275 mm - 450 mm)



Constructed for fixed installations, **HME** pumps have the pump casing and column submerged in basin, tanks, collecting wells, and for those with supports external to the container of the liquid.

In this case, a secondary discharge pipe is required, between the pump and the container of liquid, set on the pump column.

## AN INNOVATIVE CONCEPT

The innovative design of the base bracket, which is composed of two parts, allows wide access to the coupling joint of the standard electric motor in order to ease maintenance operations.

For each pump model, three different electric motor powers can be installed for pumping liquids with different specific gravities (**N - 1.1 ; P - 1.35 ; S - 1.8**) even at maximum flow.

**KME** with length from 600 to 1500mm, have the shaft guided by a sliding bearing with rotating bushings located at the backside of the impeller made of chemical-resistant, wear-resistant and anti-abrasive materials.

## Series KME

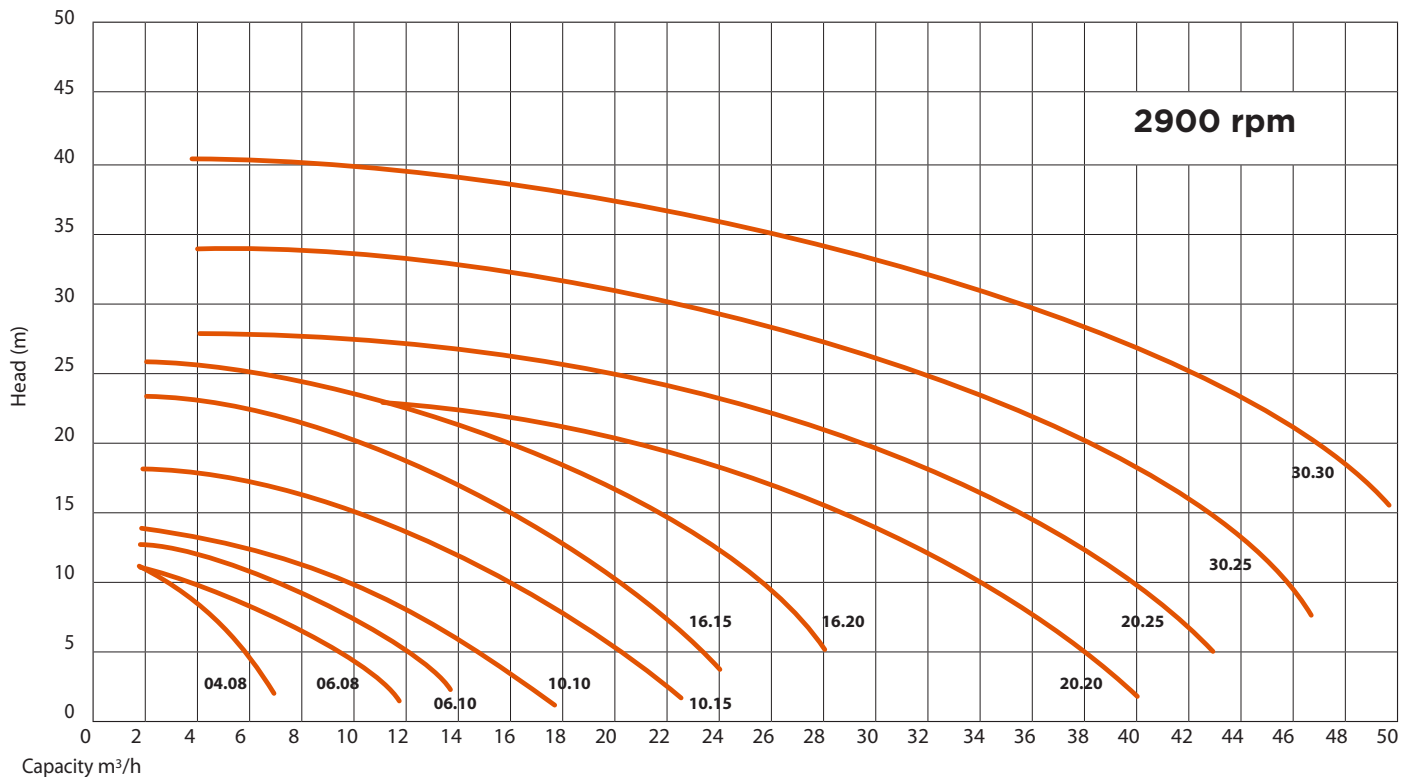
.....  
column length from 600 to 1500 mm



Constructed for fixed installations with the pump body immersed in basins, tanks, collecting wells, reservoirs.

Fluids with a specific gravity of 2 kg/dm<sup>3</sup> can be handled in function of installed power, with a kinematic viscosity max. of 75 cSt and temperatures up to 95°C (see the temperature table).

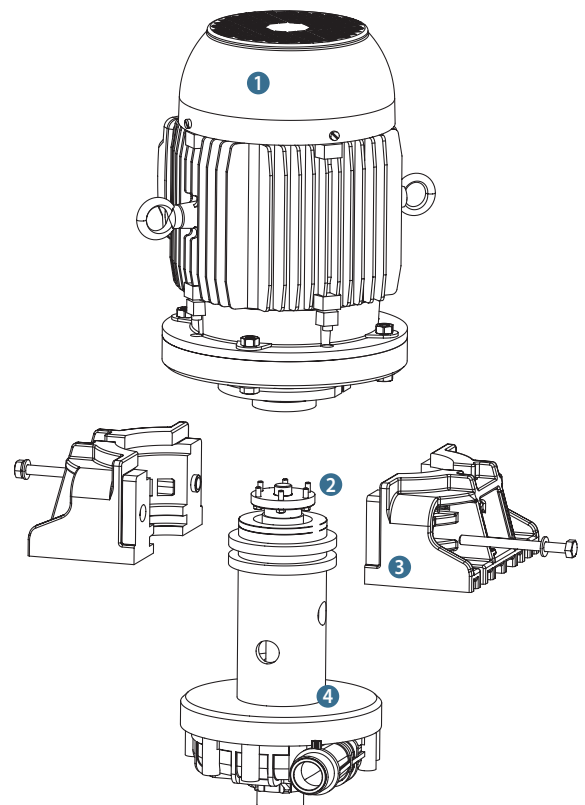
## GENERAL CURVES 50Hz



## INNOVATION

- Standardised electric motors (IEC, NEMA).** No motor with special shafts and flanges. Possibility to set different voltages and protections. Explosion-proof classes (E-exd) are applicable too.
- Rigid coupling flange with orthogonal form** was designed by Argal ensures an automatic centering of the 2 half-couplings easy opening /closing of the parts
- Baseplate** as well conceived by Argal for simultaneously fixing the flange connected to the motor with the immersed body composed of 2 separable parts to allow the easy installation of the motor through the coupling and to be used as a base for applications in narrow spaces.
- Pump casing** realised through injection-moulded:  
**WR** - basic resin in PP offering a great chemical resistance. The reinforcement with fiberglass offers a high mechanical strength and dimensional stability.

**FC** - basic resin in PVDF, fluorinated polymer with good abrasion resistance and high mechanical strength. The carbon fiber loading increases its dimensional values and stability without reducing chemical resistance.



## KME • HME

### MATERIALS

	WR	FC
Pump casing	GFR/PP	CFF/PVDF
Centrifugal impeller		E-CTFE
Support		GFR/PP
Baseplate	PP	
Shaft	STAINLESS STEEL	
Shaft coating	PE	PE
Column		PVDF
Gaskets	FPM/EPDM	
Immersed screws	PVDF	
Screws	STAINLESS STEEL	

### TEMPERATURES

	MAXIMUM WORKING TEMPERATURE °C						
underplate length mm.	275	450	600	800	1000	1250	1500
Version / Series	HME			KME			
WR	70			65	55	50	
FC	90			85	75	65	
	AMBIENT TEMPERATURE °C						
WR	0 - +40						
FC	-10 - +40					0 - +40	

### MOTOR SPECIFICATIONS

		05.11			07.09			07.11			07.14			11.15			11.23			17.25			23.25			35.25			35.30		
		N	P	S	N	P	S	N	P	S	N	P	S	N	P	S	N	P	S	N	P	S	N	P	S	N	P	S	N	P	S
Power	kW	0.37	0.55	0.75	0.55	0.75	1.1	0.75	1.1	1.5	1.1	1.5	2.2	1.5	2.2	3	2.2	3	4	4	5.5	/	4	5.5	/	5.5	7.5	/	7.5		
Motor size	IEC	71A	71B	80A	71B	80A	80B	80A	80B	90S	80B	90S	90L	90S	90L	100	90L	100	112	112	132SA	/	112	132SA	/	132SA	132SB	/	132SB		
Phase	n°	3phase (all models) - 1phase (<3 kW)																													
Std. voltage	V	460 ± 10% 60 Hz - 230 ± 10% 60 Hz																													
Motor protection	IP	55																													

### PUMP LENGTH (mm)

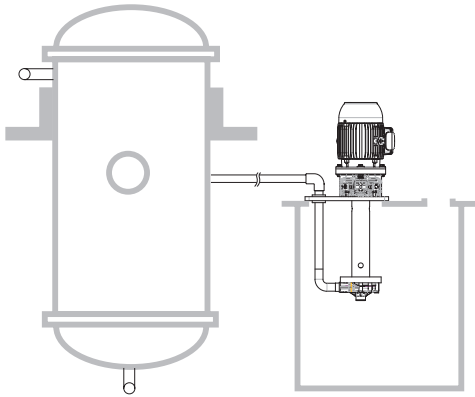
#### KME

WR	FC
600	800
1000	1250
1500	

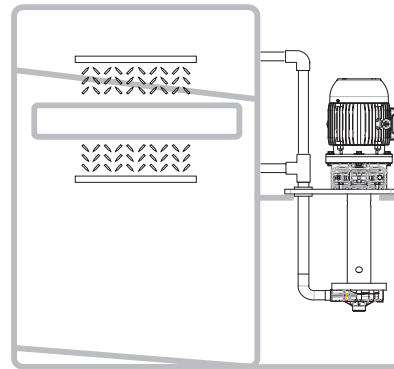
#### HME

WR	FC
275	450

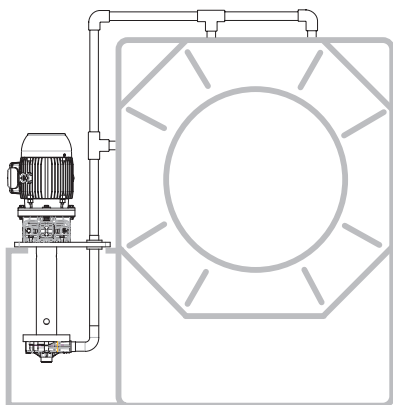
Wastewater treatment



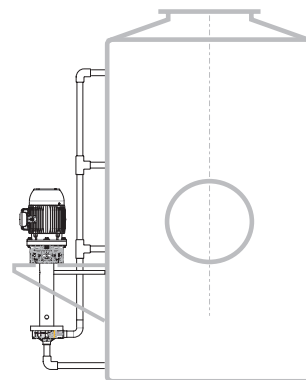
Surface treatment



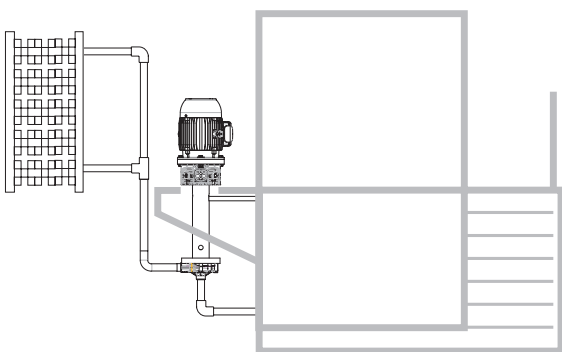
Scrubber (cleaning fumes)



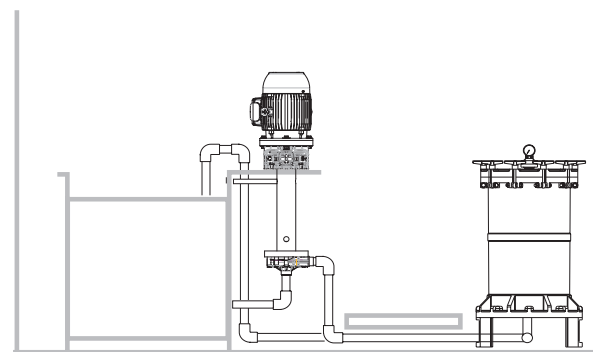
Cleaning fumes



Heat exchanger



Filtration



MAG-DRIVE &  
MECH-SEALED  
CENTRIFUGAL  
PUMPS

PNEUMATIC  
AODD &  
METERING  
PUMPS  
PULSATION  
DAMPENERS

SUBMERSIBLE  
PUMPS



SELF-PRIMING  
PUMPS

VERTICAL  
SUMP PUMPS

**ARGAL srl**

Via Labirinto, 159 - 25125 BRESCIA - (Italy)  
Phone +39 030 3507011 - fax +39 030 3507077  
info@argal.it - [www.argalpumps.com](http://www.argalpumps.com)



cod. 01.2018 - EN