

BLACKMER PARTS LIST

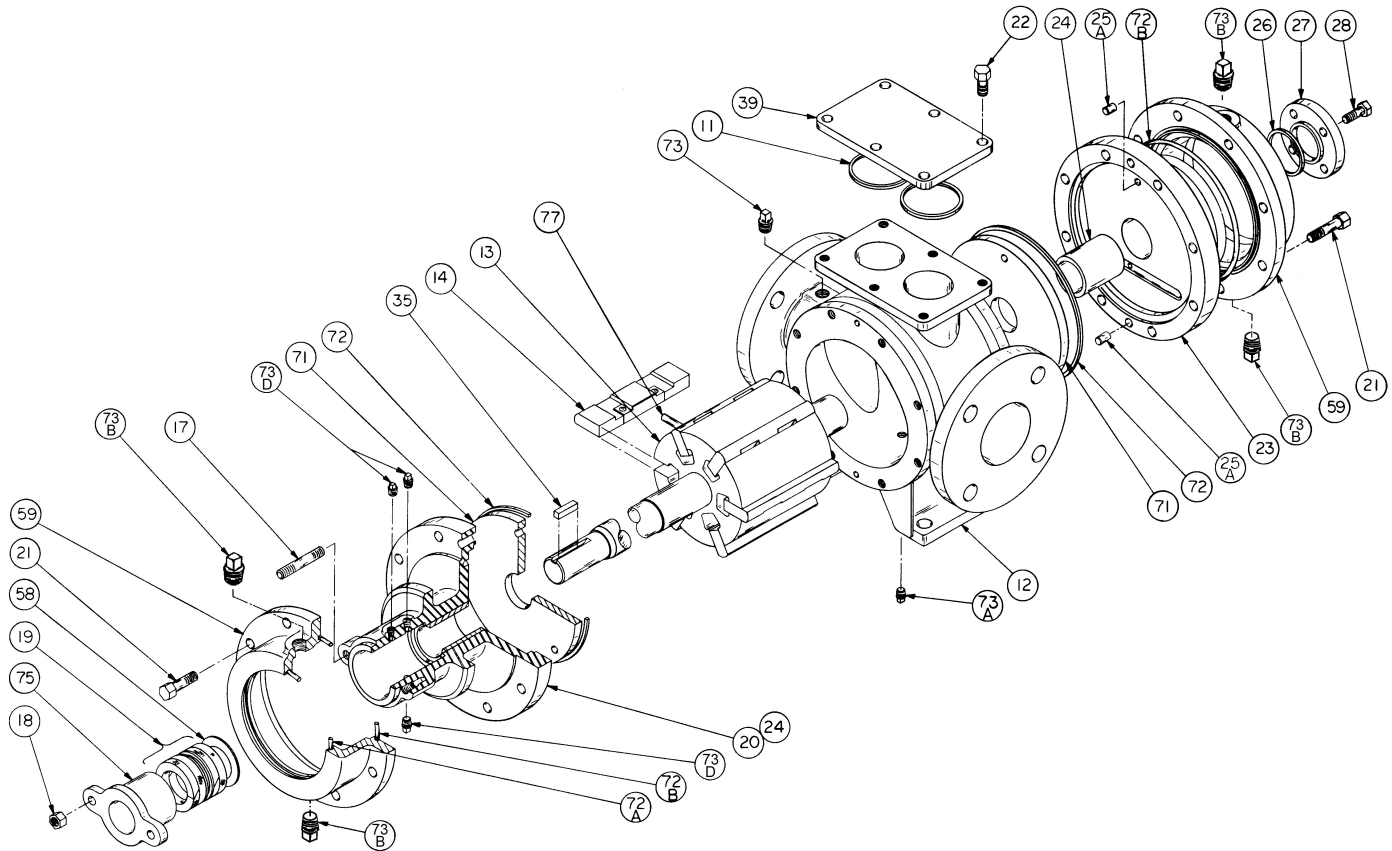
PUMP MODELS: SNP2.5

SNPJ2.5 *

Keep with Instructions 104-A00 for Installation, Operation and Maintenance

960258 **PARTS LIST**
Page 1 of 2 **104-A03**

Section 104
Effective Aug 2019
Replaces Jan 2012



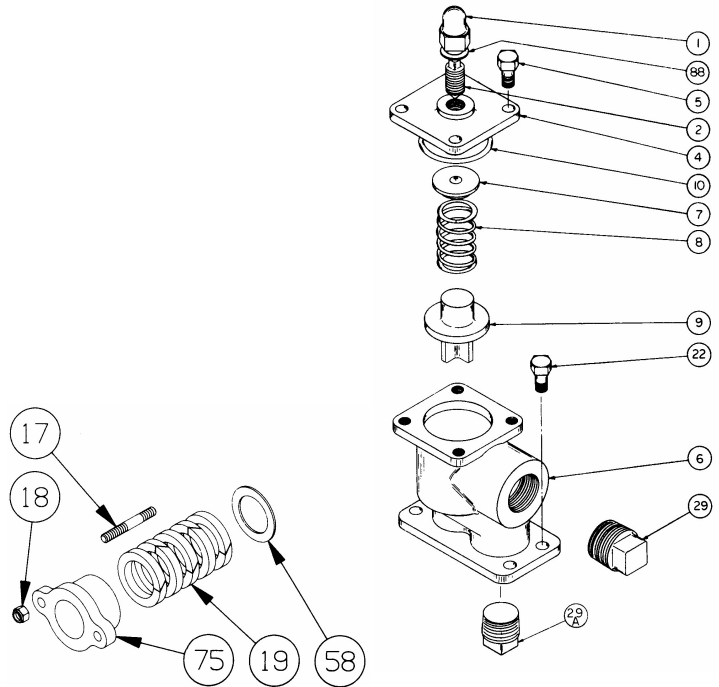
Ref. No.	Description	Parts per Pump	Part No.	Ref. No.	Description	Parts per Pump	Part No.
11	Seal Ring – Blanking Plate	2	¹ 533801	39	Plate – Blanking	1	495301
12	Cylinder	1	025301	59	Jackets (Opt.)	2	035311
13	Rotor & Shaft	1	² 265301	71	Disc	2	² 065303
14	Vane – Duravane (Std.)	6	¹ 091619	72	Seal Ring – Head	2	¹ 385301
	Vane – EC Laminate		¹ 091627	72A	O-Ring – Inboard Head (jacketed)	2	¹ 711966
20	Head & Bushing Asy. – Inboard	1	035309	72B	O-Ring – Jacket (jacketed)	2	¹ 702241
21	Capscrews – Head (std.)	16	920365	73	Plug (1/4")	2	908193
	Capscrews – Head (jacketed)		920382	73A	Plug (1/8")	1	908183
22	Capscrews – Blanking Plate	6	920335	73B	Jacket Plug (3/8")	4	908207
23	Head & Bushing Asy. – Outboard	1	035310	73D	Gland Plug (1/8")	3	908183
24	Bushing (Sleeve Bearing)	2	¹ 161600	77	Push Rod	3	¹ 125301
25A	Dowel Pin – Head	6	930564	—	Kit — Maintenance	—	898947
26	Seal Ring – Bearing Cover	1	¹ 382211	—	Kit — Maintenance (jacketed pumps)	—	898988
27	Bearing Cover	1	045301	—	Kit — Rebuild	—	899047
28	Capscrews – Bearing Cover	4	920179	—	Kit — Rebuild (jacketed pumps)	—	899088
35	Key – Shaft	1	¹ 909178				

¹ Included in Maintenance and Rebuild Kits. (Std. kits include Duravanes; jacketed pump kits include EC Laminate Vanes).

² Included in Rebuild Kit. * Effective Jan 2006, jackets are considered an option and no longer change the model number.

SNP2.5 – RELIEF VALVE – OPTIONAL

Ref. No.	Part Name	Qty	Part No.
2	Cap – Relief Valve (R/V)	1	413151
2	Adjusting Screw – R/V	1	433101
4	Cover – R/V	1	415301
5	Capscrews – R/V Cover	4	920335
6	Body – R/V	1	405301
7	Spring Guide – R/V	1	423101
8	Spring – R/V (41-50 psi)	1	471610
	Spring – R/V (51-110 psi)		471632
	Spring – R/V (111-150 psi)		471615
9	Valve – R/V	1	455301
10	Seal Ring – R/V Cover	1	535301
22	Capscrews – R/V Body	6	920335
29	Plug (1-1/2")	0-1	908249
29A	Plug (1-1/4") (External By-Pass)	0-1	908244
88	Gasket – R/V Cap	1	533101



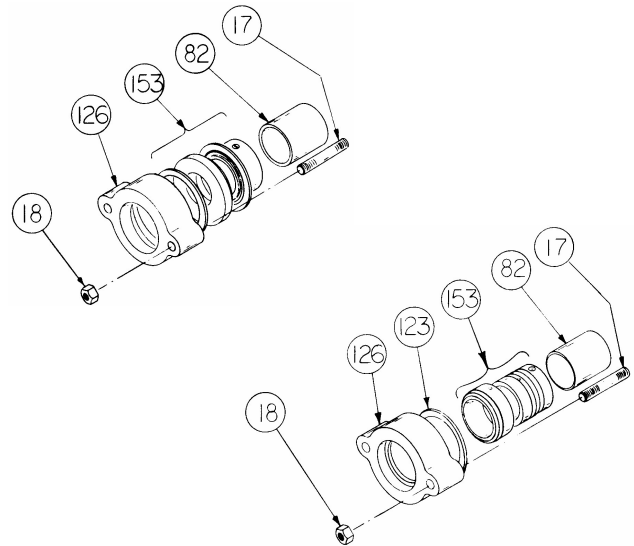
SNP2.5 – SHAFT PACKING – STANDARD

Ref. No.	Part Name	Qty	Part No.
17	Stud – Packing Follower	2	921441
18	Locknut – Packing Follower Stud	2	922416
19	Packing Set (5 Rings)	1	325301
58	Packing Washer	1	352201
75	Packing Follower	1	142203

¹ Included in Maintenance and Rebuild Kits.

SNP2.5 – MECHANICAL SEAL - OPTIONAL

Ref. No.	Part Name	Qty	Part No.
17	Stud – Retainer	2	921441
18	Locknut – Retainer Stud	2	922416
82	Spacer – Seal	1	375301
126	Retainer – Seal	1	332210
153	Mechanical Seal Assy – Crane Type 9	1	332203

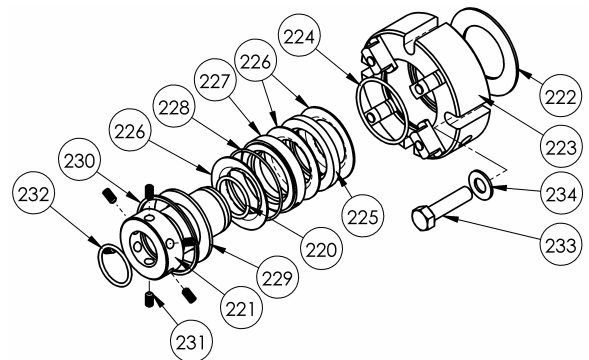


SNP2.5 – MECHANICAL SEAL - OPTIONAL

Ref. No.	Part Name	Qty	Part No.
17	Stud – Retainer	2	921441
18	Locknut – Retainer Stud	2	922416
82	Spacer – Seal	1	375301
123	Gasket – Seal Retainer	1	385380
126	Retainer – Seal	1	335310
153	Mechanical Seal Assy – Durametallc	1	332200

SNP2.5 – TRIPLE-LIP CARTRIDGE SEAL - OPTIONAL

Ref. No.	Part Name	Seal	Seal Rebuild Kit
—	TRIPLE-LIP CARTRIDGE SEAL	335314	899103
220	Shaft Sleeve O-Ring	1	X
221	Shaft Sleeve	1	
222	Gasket	1	X
223	Gland Plate Assembly	1	
224	Element O-Ring	1	X
225	Seal Spacer	1	X
226	Seal Element	3	X
227	Flushing Spacer	1	X
228	Flushing Spacer O-Ring	1	X
229	Retaining Ring	1	
230	Snap Ring	1	X
231	Shaft Sleeve Setscrews	6	X
232	Stepped Shaft Sleeve O-Ring	1	X
233	Gland Capscrew	4	
234	Flat Washer	4	



X = Parts included in Seal Rebuild Kit



1809 Century Avenue, Grand Rapids, Michigan 49503-1530, U.S.A.
 Telephone: (616) 241-1611 / Fax: (616) 241-3752
 E-Mail: blackmer@blackmer.com / Internet: www.blackmer.com