

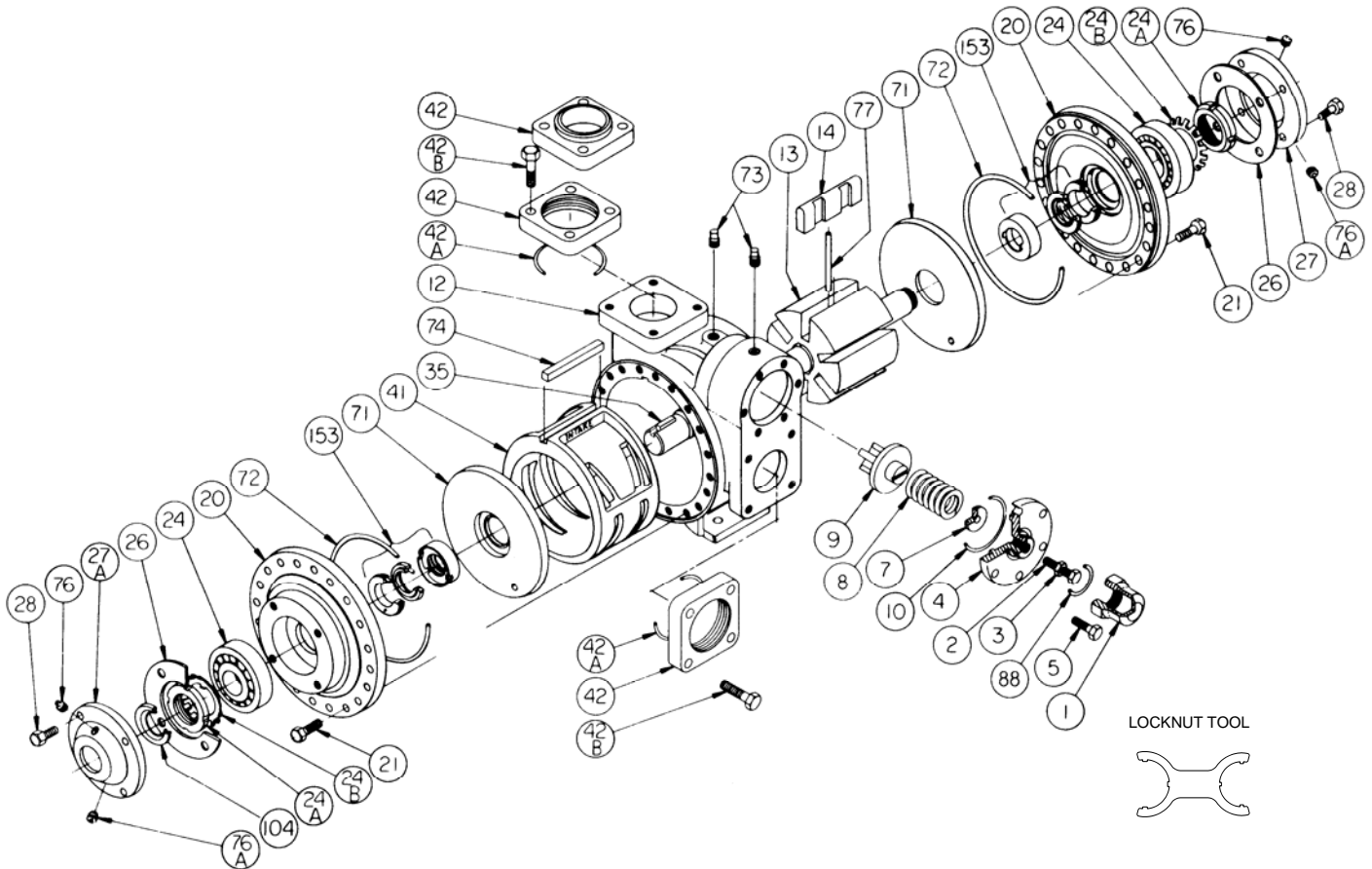
BLACKMER PARTS LIST

PUMP MODEL: XL3B

DISCONTINUED MODELS: XL3A-N, XLS3A-N

Keep with Instructions 107-B00 or for Installation, Operation and Maintenance

Section 107
Effective Sept 2012
Replaces Sept 2011



Ref. No.	Description	Parts per Pump	Part No.	Ref. No.	Description	Parts per Pump	Part No.
1	Cap - Relief Valve (R/V)	1	414402	26	Gasket - Bearing Cover	2	¹ 385125
2	Adjusting Screw - R/V	1	435109	27	Bearing Cover - Outboard	1	041817
3	Locknut - Adjusting Screw	1	922923	27A	Bearing Cover - Inboard	1	041815
4	Cover - R/V	1	415109	28	Capscrews - Bearing Cover	12	920285
5	Capscrew - R/V Cover	6	920331	35	Key - Shaft Square	1	^{1,3} 909209
7	Spring Guide - R/V	1	425109	41	Liner	1	² 185116
8	Spring - R/V (51-75 psi)	1	471612	42-42B	Flanges		See Back
	Spring - R/V (76-110 psi)		471621	71	Disc	2	² 065112
	Spring - R/V (111-150 psi)		475109	72	O-Ring - Head (FKM)	2	¹ 711938
9	Valve - R/V	1	455109		O-Ring - Head (PTFE)		702082
10	O-Ring - R/V Cover (FKM)	1	¹ 701924		O-Ring - Head (Buna)		702041
	O-Ring - R/V Cover (Buna-N)		701925	73	Gage Plug	2	908198
	O-Ring - R/V Cover (PTFE)		702079	74	Key - Liner	1	² 185191
12	Casing	1	015127	76	Grease Fitting	2	317815
13	Rotor & Shaft	1	² 265149	76A	Grease Relief Fitting	2	701992
	Rotor & Shaft, Corrosion Resistant (Both include Ref. 24A & 24B)		265204	77	Push Rod	3	¹ 125105
14	Vane - Duravane (Std.)	6	¹ 095131	88	O-Ring - R/V Cap (FKM)	1	¹ 701979
	Vane - EC Cast Iron		095119		O-Ring - R/V Cap (PTFE)		702075
	Vane - EC Laminate		095107		O-Ring - R/V Cap (Buna)		711917
20	Head	2	035128	104	Grease Seal	1	¹ 331908
21	Capscrews - Head	40	920369		Tool - Locknut		903091
24	Ball Bearing	2	¹ 903172		Kit - Maintenance		898964
24A	Locknut - Bearing	2	² 903523		Kit - Rebuild		899064
24B	Lockwasher - Bearing	2	¹ 903524				

¹ Included in Maintenance Kit and Rebuild Kit

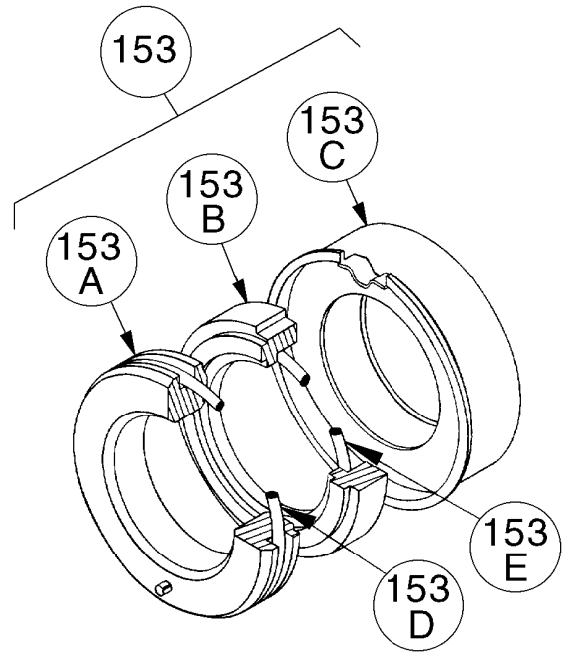
² Included in Rebuild Kit

EC = Extra Clearance

³ Maintenance and Rebuild Kits also include Woodruff Key 909130 used previously.

MECHANICAL SEALS

Ref. No.	Part Name	Parts Per Pump	Part No.
153	Mechanical Seal Complete – (Std.) Hardened Steel Stationary Seat, Carbon Seal Face, FKM O-Rings. (SVCV)	2	¹ 335129
	Mechanical Seal Complete – Hardened Steel Stationary Seat, PTFE O-Ring, Carbon Seal Face w/PTFE Seal Ring. (SACT)		335175
	Mechanical Seal Complete – Silicon Carbide Stationary Seat, PTFE O-Ring, Carbon Seal Face w/PTFE Seal Ring. (LACT)		335299
	Mechanical Seal Complete – Silicon Carbide Stationary Seat, Carbon Seal Face, FKM O-Rings. (LVCV)		335298
	Mechanical Seal Complete – Hardened Steel Stationary Seat, Carbon Seal Face, Buna O-Rings. (SNCN)		335225
153A#	Stationary Seat (Hardened Steel) Stationary Seat (Silicon Carbide)	2	--- ---
153B#	Rotating Seal Face (Carbon)	2	---
153C#	Jacket Assembly	2	---
153D	O-Ring – Stationary (FKM)	2	702015
	O-Ring – Stationary (PTFE)		711999
	O-Ring – Stationary (Buna)		702025
153E	O-Ring – Rotating (FKM)	2	701962
	Seal Ring – Rotating (PTFE)		701963
	O-Ring – Rotating (Buna)		711912

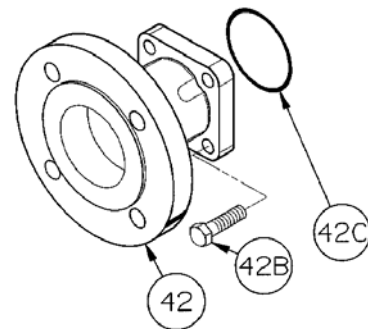
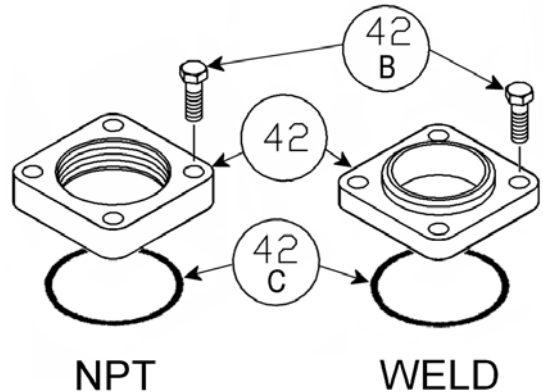


¹ Included in Maintenance Kit and Rebuild Kit

These components are included in the complete mechanical seal assemblies (Ref. No. 153), and are NOT available as replacement parts. Consult factory.

FLANGE OPTIONS

Ref. No.	Part Name	Parts Per Pump	Size 3 Part No.
42	Flange - NPT	1-2	655112
	Flange - Weld		655102
	Flange – ANSI 3" 150 lb. R.F.		651817
42C	O-Ring Flange (FKM) (Std)	2	¹ 711931
	O-Ring - Flange (PTFE)		702080
	O-Ring - Flange (Buna)		702002
42B	Capscrew- NPT Flange	8	920547
	Capscrew – Weld/ANSI Flg		920510



ANSI FLANGE



1809 Century Avenue, Grand Rapids, Michigan 49503-1530, U.S.A.

Telephone: (616) 241-1611 / Fax: (616) 241-3752

E-Mail: blackmer@blackmer.com / Internet: www.blackmer.com

Parts List 107-B02

Page 2 of 2