



WATER DIVISION
of Gruppo Aturia

VERTICAL SHAFT PUMPS

PULL-OUT DESIGN



VERTICAL SHAFT PUMPS PULL-OUT DESIGN

APPLICATIONS

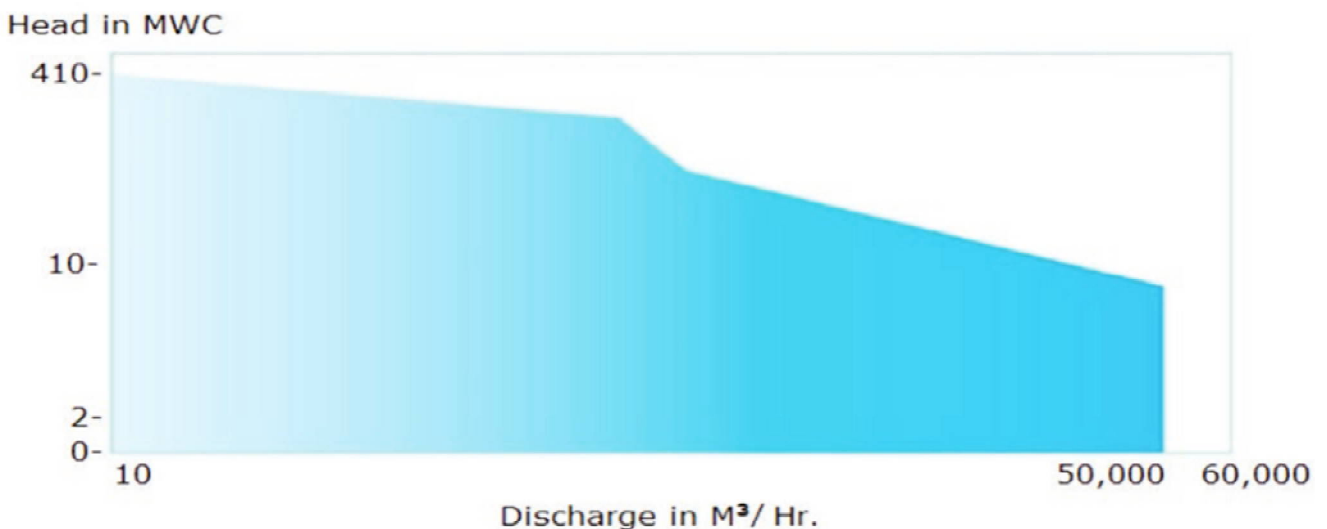
- Dewatering of dams, flood prone areas
- Pumping activated sludge and raw, untreated, highly turbid water.
- Lift irrigation as water lift pump from low-level water sumps.
- Pumping waste, storm service and cooling water.
- Mine - Dewatering systems for process and seepage water and for lowering of water level.

CHOISE OF MATERIAL

- Pump casting Cast Iron / Stainless Steel - up to Super Duplex / Ni-Al-Bronze
- Impeller Stainless Steel - up to Super Duplex / Ni-Al-Bronze / Other Bronze
- Shaft Stainless Steel of various grades : 410 / 420 / 316 / Duplex & Super Duplex
- Pedestal Steel Fabrocated
- Motor Stool Steel Fabrocated
- Pipes Steel or Stainless Steel Fabricated
- Discharge Elbow Steel or Stainless Steel Fabricated



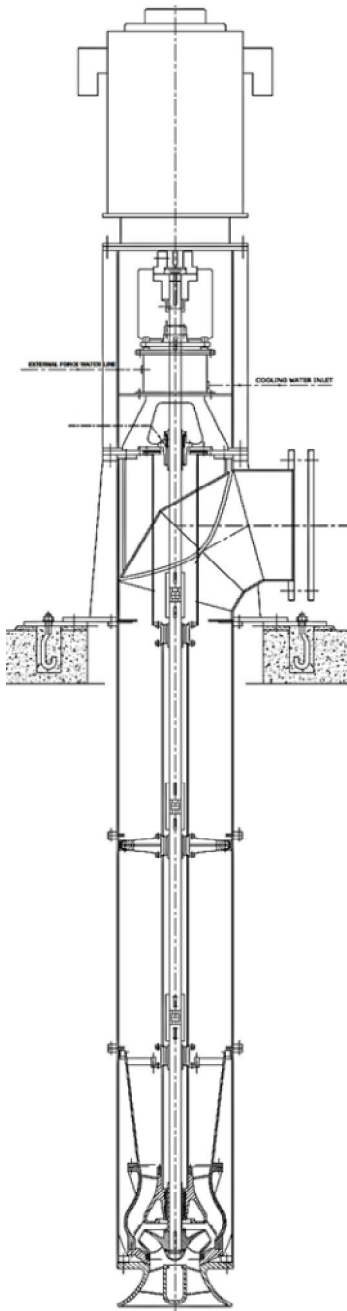
RANGE CHART



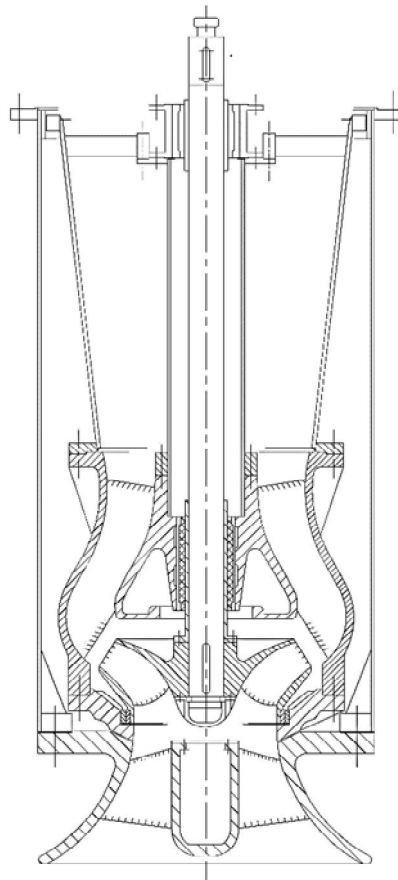
* High head by multistaging

VERTICAL SHAFT PUMPS PULL-OUT DESIGN

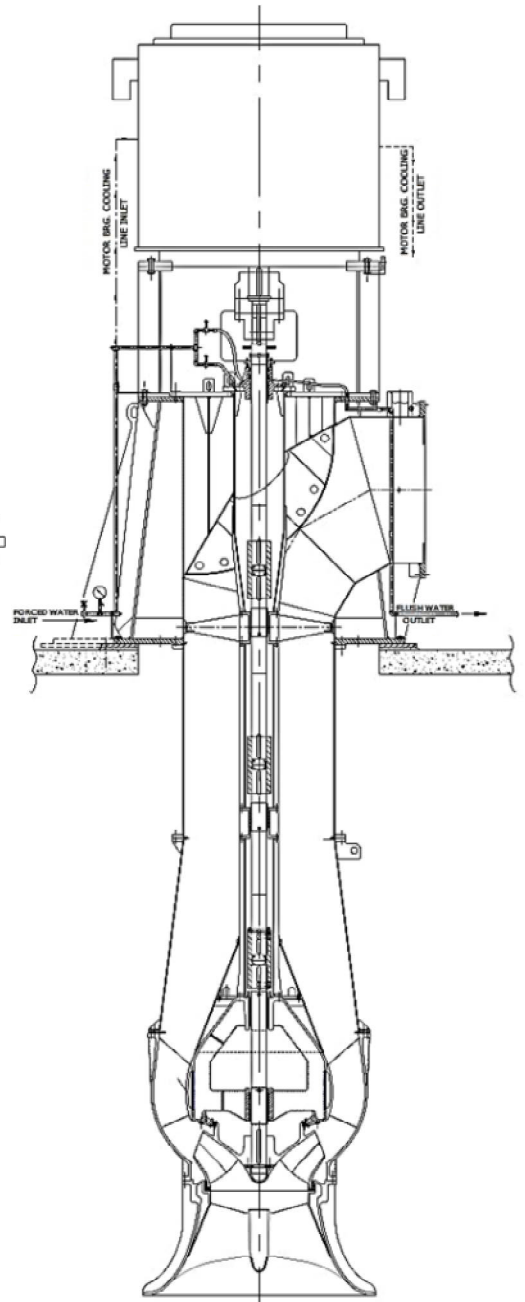
■ OPTIONS PULL-OUT DESIGN



**BOWL ASSEMBLY
PULL-OUT**



**COMPLETE BOWL ASSY. INSIDE BOTTOM
COLUMN WITH SUCTION BELL**



**ROTOR ASSEMBLY
PULL-OUT**

Gruppo Aturia S.p.A.



Gessate (Milano): 20.000 m²



TORINO: 3.000 m²



Taglio di Po (Rovigo): 4.000 m²



Merate (Lecco): 10.000 m²

International Associates

THAILAND

WPIL (Thailand) Co. Ltd., 23 soi Sathiyuttakam 3,
T.Thasai A. Muang, Nonthaburi 11000, Thailand
Tel. +66(2)9522561, Fax. +66(2)9523273
E-mail: jeerasith.k@wpil.co.th; jirawich,k@wpil.co.th
Website: www.wpil.co.th

AUSTRALIA

Sterling Pumps Pty Ltd., 14 Shamet Circuit, Pakenham,
Victoria, 3810, Australia
Tel. +61 3 97295044, Fax. +61 3 97293522
E-mail: anton@sterlingpumps.com.au
brian@sterlingpumps.com.au
Website: www.sterlingpumps.com.au

UK

Mathers Foundry Limited, Park Works, Grimshaw Lane,
Newton Heath, Manchester M40 2BA, UK
Tel. +44 (0) 1619544347, Fax. +44 (0) 1612052455
E-mail: sales@mathersfoundry.co.uk
Website: www.mathersfoundry.co.uk

SOUTH AFRICA

A.P.E. Pumps (Pty) Limited., 26 Nagington Road,
Wadeville, Germiston, South Africa
Tel. +27 118244801, Fax. +27 118242770
E-mail: peter@psv.co.za; dave@matherandplatt.com
Website: www.apepumps.co.za
www.matherandplatt.com

INDIA

WPIL LIMITED., "Trinity Plaza", 3rd Floor 84/1A
Topsia Road (South), Kolkata - 700046, India
Tel. +91 3340556800, Fax. +91 3340556835

Gruppo Aturia



CONTACT:

Tel. +39 02 95423200
E-mail. export@gruppoaturia.com
www.gruppoaturia.com



CONTACT:

Tel. +39 02 95423200
E-mail. finder@finderpumps.com
www.finderpumps.com