

PARTS LIST
PUMPS
SLC1 i - SLC2 i - SLC3 i

Keep this parts lists with Installation, Operation and Maintenance Instructions.

To order the required spare parts, indicate the desired Reference(s).

- ◆ Sets of parts or parts available to order.

BMS : Bellows monitoring system

C1 / C2 interchangeable main body or front cover : Consult us.

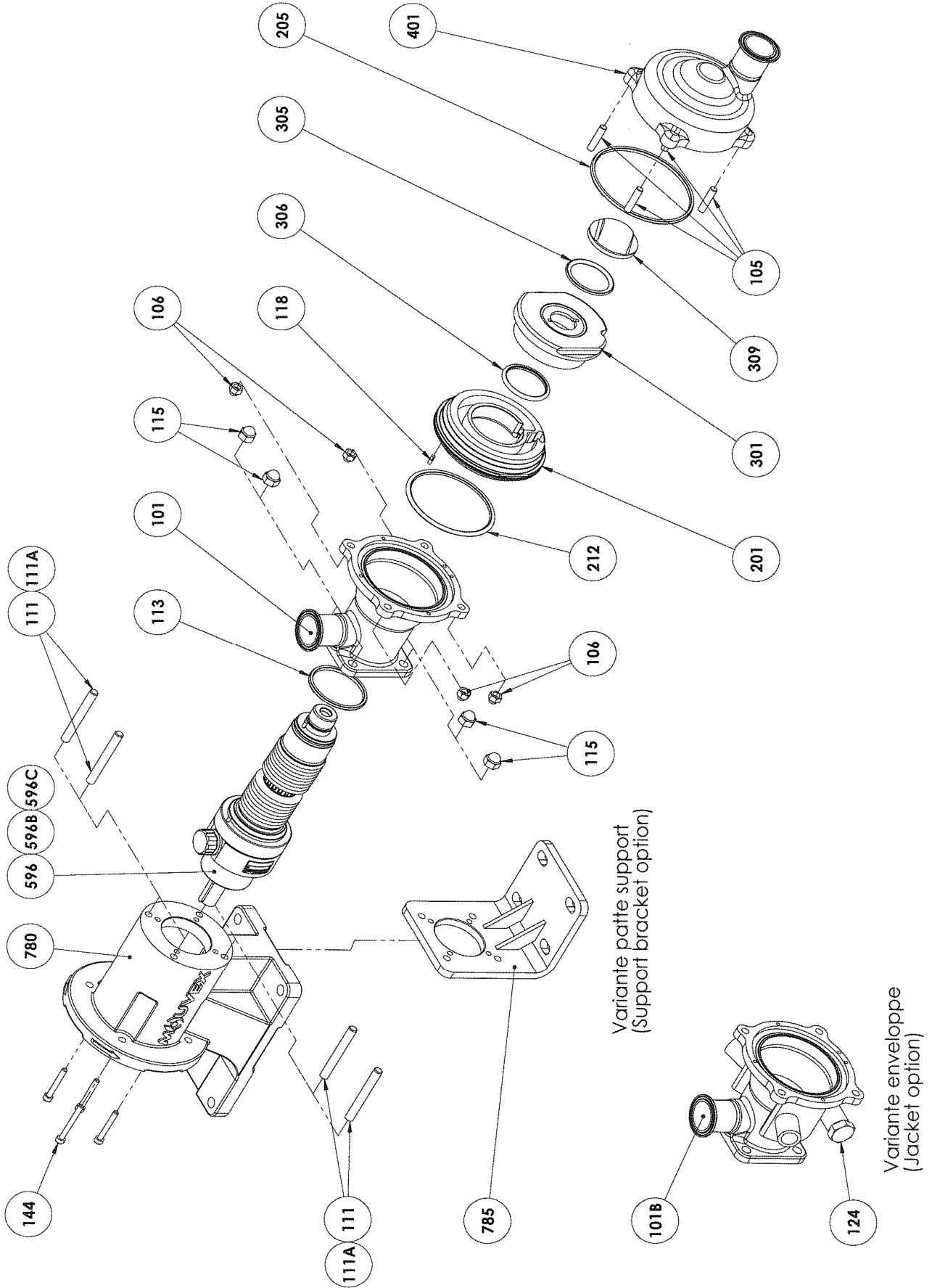
CVT : FEP encapsulated FKM

Z.I. la Plaine des Isles - 2 rue des Caillottes F-89000 AUXERRE - France

Tel : +33 (0)3 86 49 86 30 • Fax : +33 (0)3 86 49 87 17

contact@mouvex.com • www.mouvex.com

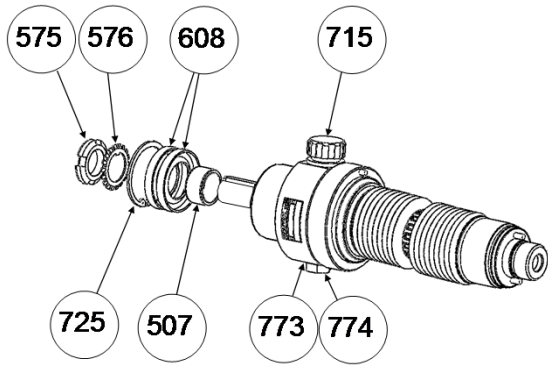
SLC1 i - SLC2 i - SLC3 i



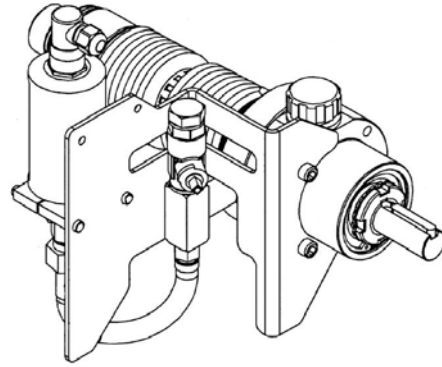
Variante patte support
(Support bracket option)

Variante enveloppe
(Jacket option)

PUMP WITH COMPLETE TRANSMISSION

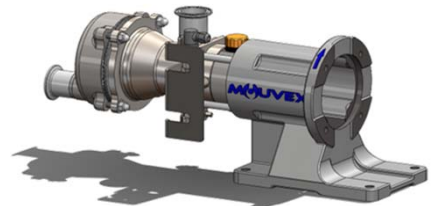
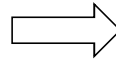
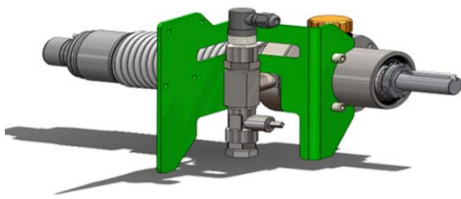


Transmission with ATEX pressure switch BMS

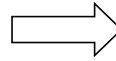
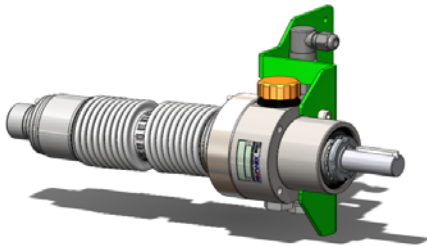


Complete transmission

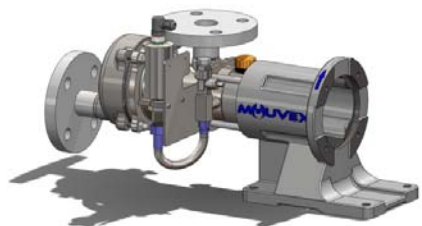
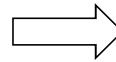
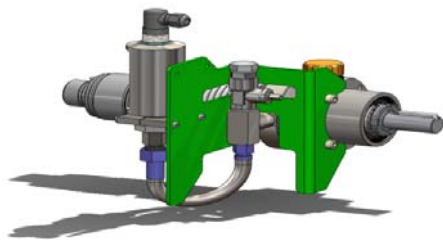
Transmission with BMS pressure switch except pump with suction port in position 1



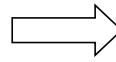
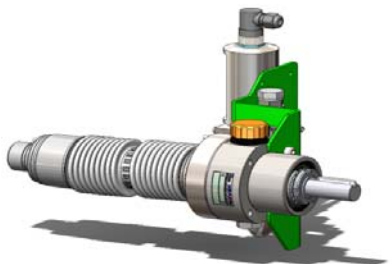
Transmission with BMS pressure switch for pump with suction port in position 1



Transmission with BMS pressure switch except pump with suction port in position 1 - ATEX



Transmission with BMS pressure switch for pump with suction port in position 1 - ATEX



SLC1 i

* 1, 2, 4... : Quantity in equipment - (1), (2), (4)... : Quantity in kit

Item	Available	Description	Qty*	Ref.	Maintenance kit	Wear part
8	◆	PLUGS + BREATHER	1	311441.00		
715	◆	BREATHER	1	211144		●
773		PLUG	(1)			
774		SEAL	(1)			●
9	◆	BEARING GASKETS _ SCREWS SET	1	315025.00		
507		RING	(1)			●
575		NUT	(1)			
576		WASHER	(1)			
608		LIP SEAL	(2)			●
725		CIRCLIPS	(1)			
24	◆	BENDE BRACKET SCREWS SET	1	315286.02		
24	◆	TRUNK SCREWS SET	1	315026.00		
144		SCREW	(4)			
25	◆	BENDE BRACKET KIT _ SCREWS SL1 SL2 SL3	1	315618.01		
144		SCREW	(4)			
785		BENDE BRACKET	(1)			
100	◆	JACKETED INLET MANIFOLD FLANGE PN16 DN40	1	314922.00		
100	◆	JACKETED INLET MANIFOLD FLANGE PN20 DN40	1	314921.00		
101B		MAIN BODY	(1)			
124		PLUG	(2)			
101	◆	NOT POLISHED INLET MANIFOLD FLANGE PN16 DN40	1	314856.00		
101	◆	NOT POLISHED INLET MANIFOLD FLANGE PN20 DN40	1	314854.00		
119	◆	SET OF STUDS AND NUTS	1	314798.00		
105		STUD	(4)			
106		BLIND NUT	(4)			
111		STUD	(4)			
115		BLIND NUT	(4)			
119	◆	SET OF STUDS AND NUTS - ATEX PRESSURE SWITCH	1	315276.00		
105		STUD	(4)			
106		BLIND NUT	(4)			
111		STUD	(2)			
111A		STUD	(2)			
115		BLIND NUT	(4)			
200	◆	SET CYLINDER _ PISTON	1	314814.01	■	
118		PIN	(1)			
201		CYLINDER	(1)			●
301		PISTON	(1)			●
309	◆	PISTON NUT	1	226535		
206	◆	SET OF CVT 'O' RING SEALS	1	314821.00	■	
206	◆	SET OF FKM 'O' RING SEALS	1	314820.01	■	
113		SEAL	(1)			●
205		SEAL	(1)			●
212		SEAL	(1)			●
305		SEAL	(1)			●
306		SEAL	(1)			●
401	◆	NOT POLISHED FRONT COVER FLANGE PN16 DN40	1	314878.01		
401	◆	NOT POLISHED FRONT COVER FLANGE PN20 DN40	1	314876.01		
596	◆	COMPLETE TRANSMISSION WITHOUT BELLOWS MONITORING SYSTEM	1	314797.02	■	●
		COMPLETE TRANSMISSION WITH BMS PRESSURE SWITCH :				
596B	◆	EXCEPT PUM WITH SUCTION PORT IN POSITION 1 - ATEX	1	315275.03	■	●
596B	◆	EXCEPT PUM WITH SUCTION PORT IN POSITION 1	1	315685.03	■	●
596C	◆	FOR PUMP WITH SUCTION PORT IN POSITION 1 - ATEX	1	315806.03	■	●
596C	◆	FOR PUMP WITH SUCTION PORT IN POSITION 1	1	315805.03	■	●

SLC2 i

* 1, 2, 4... : Quantity in equipment - (1), (2), (4)... : Quantity in kit

Item	Available	Description	Qty*	Ref.	Maintenance kit	Wear part
8	◆	PLUGS + BREATHER	1	311441.00		
715	◆	BREATHER	1	211144		●
773		PLUG	(1)			
774		SEAL	(1)			●
9	◆	BEARING GASKETS _ SCREWS SET	1	315025.00		
507		RING	(1)			●
575		NUT	(1)			
576		WASHER	(1)			
608		LIP SEAL	(2)			●
725		CIRCLIPS	(1)			
24	◆	BENDEE BRACKET SCREWS SET	1	315286.02		
24	◆	TRUNK SCREWS SET	1	315026.00		
144		SCREW	(4)			
25	◆	BENDEE BRACKET KIT _SCREWS SL1 SL2 SL3	1	315618.01		
144		SCREW	(4)			
785		BENDEE BRACKET	(1)			
100	◆	JACKETED INLET MANIFOLD FLANGE PN16 DN40	1	314922.00		
100	◆	JACKETED INLET MANIFOLD FLANGE PN20 DN40	1	314921.00		
101B		MAIN BODY	(1)			
124		PLUG	(2)			
101	◆	NOT POLISHED INLET MANIFOLD FLANGE PN16 DN40	1	314856.00		
101	◆	NOT POLISHED INLET MANIFOLD FLANGE PN20 DN40	1	314854.00		
119	◆	SET OF STUDS AND NUTS	1	314798.00		
105		STUD	(4)			
106		BLIND NUT	(4)			
111		STUD	(4)			
115		BLIND NUT	(4)			
119	◆	SET OF STUDS AND NUTS - ATEX PRESSURE SWITCH	1	315276.00		
105		STUD	(4)			
106		BLIND NUT	(4)			
111		STUD	(2)			
111A		STUD	(2)			
115		BLIND NUT	(4)			
200	◆	SET CYLINDER_PISTON	1	314815.01	■	
118		PIN	(1)			
201		CYLINDER	(1)			●
301		PISTON	(1)			●
309	◆	PISTON NUT	1	226535		
206	◆	SET OF CVT 'O' RING SEALS	1	314821.00	■	
206	◆	SET OF FKM 'O' RING SEALS	1	314820.01	■	
113		SEAL	(1)			●
205		SEAL	(1)			●
212		SEAL	(1)			●
305		SEAL	(1)			●
306		SEAL	(1)			●
401	◆	NOT POLISHED FRONT COVER FLANGE PN16 DN40	1	314878.01		
401	◆	NOT POLISHED FRONT COVER FLANGE PN20 DN40	1	314876.01		
596	◆	COMPLETE TRANSMISSION WITHOUT BELLOWS MONITORING SYSTEM	1	314797.02	■	●
		COMPLETE TRANSMISSION WITH BMS PRESSURE SWITCH :				
596B	◆	EXCEPT PUM WITH SUCTION PORT IN POSITION 1 - ATEX	1	315275.03	■	●
596B	◆	EXCEPT PUM WITH SUCTION PORT IN POSITION 1	1	315685.03	■	●
596C	◆	FOR PUMP WITH SUCTION PORT IN POSITION 1 - ATEX	1	315806.03	■	●
596C	◆	FOR PUMP WITH SUCTION PORT IN POSITION 1	1	315805.03	■	●

SLC3 i

* 1, 2, 4... : Quantity in equipment - (1), (2), (4)... : Quantity in kit

Item	Available	Description	Qty*	Ref.	Maintenance kit	Wear part
8	◆	PLUGS + BREATHER	1	311441.00		
715	◆	BREATHER	1	211144		●
773		PLUG	(1)			
774		SEAL	(1)			●
9	◆	BEARING GASKETS _ SCREWS SET	1	315025.00		
507		RING	(1)			●
575		NUT	(1)			
576		WASHER	(1)			
608		LIP SEAL	(2)			●
725		CIRCLIPS	(1)			
24	◆	BENDE BRACKET SCREWS SET	1	315286.02		
24	◆	TRUNK SCREWS SET	1	315026.00		
144		SCREW	(4)			
25	◆	BENDE BRACKET KIT _ SCREWS SL1 SL2 SL3	1	315618.01		
144		SCREW	(4)			
785		BENDE BRACKET	(1)			
100	◆	JACKETED INLET MANIFOLD FLANGE PN16 DN40	1	314922.00		
100	◆	JACKETED INLET MANIFOLD FLANGE PN20 DN40	1	314921.00		
101B		MAIN BODY	(1)			
124		PLUG	(2)			
101	◆	NOT POLISHED INLET MANIFOLD FLANGE PN16 DN40	1	314856.00		
101	◆	NOT POLISHED INLET MANIFOLD FLANGE PN20 DN40	1	314854.00		
119	◆	SET OF STUDS AND NUTS	1	314798.00		
105		STUD	(4)			
106		BLIND NUT	(4)			
111		STUD	(4)			
115		BLIND NUT	(4)			
119	◆	SET OF STUDS AND NUTS - ATEX PRESSURE SWITCH	1	315276.00		
105		STUD	(4)			
106		BLIND NUT	(4)			
111		STUD	(2)			
111A		STUD	(2)			
115		BLIND NUT	(4)			
200	◆	SET CYLINDER _ PISTON	1	314816.01	■	
118		PIN	(1)			
201		CYLINDER	(1)			●
301		PISTON	(1)			●
309	◆	PISTON NUT	1	226535		
206	◆	SET OF CVT 'O' RING SEALS	1	314821.00	■	
206	◆	SET OF FKM 'O' RING SEALS	1	314820.01	■	
113		SEAL	(1)			●
205		SEAL	(1)			●
212		SEAL	(1)			●
305		SEAL	(1)			●
306		SEAL	(1)			●
401	◆	NOT POLISHED FRONT COVER FLANGE PN16 DN40	1	314878.01		
401	◆	NOT POLISHED FRONT COVER FLANGE PN20 DN40	1	314876.01		
596	◆	COMPLETE TRANSMISSION WITHOUT BELLOWS MONITORING SYSTEM	1	314797.02	■	●
		COMPLETE TRANSMISSION WITH BMS PRESSURE SWITCH :				
596B	◆	EXCEPT PUM WITH SUCTION PORT IN POSITION 1 - ATEX	1	315275.03	■	●
596B	◆	EXCEPT PUM WITH SUCTION PORT IN POSITION 1	1	315685.03	■	●
596C	◆	FOR PUMP WITH SUCTION PORT IN POSITION 1 - ATEX	1	315806.03	■	●
596C	◆	FOR PUMP WITH SUCTION PORT IN POSITION 1	1	315805.03	■	●