



P.L. : 1004-G01

Effective
Replaces

April 2018
June 2016

PARTS LIST
PUMPS
SLS12 i - SLS18 i

Keep this parts lists with Installation, Operation and Maintenance Instructions.

To order the required spare parts, indicate the desired Reference(s).

- ◆ Sets of parts or parts available to order.

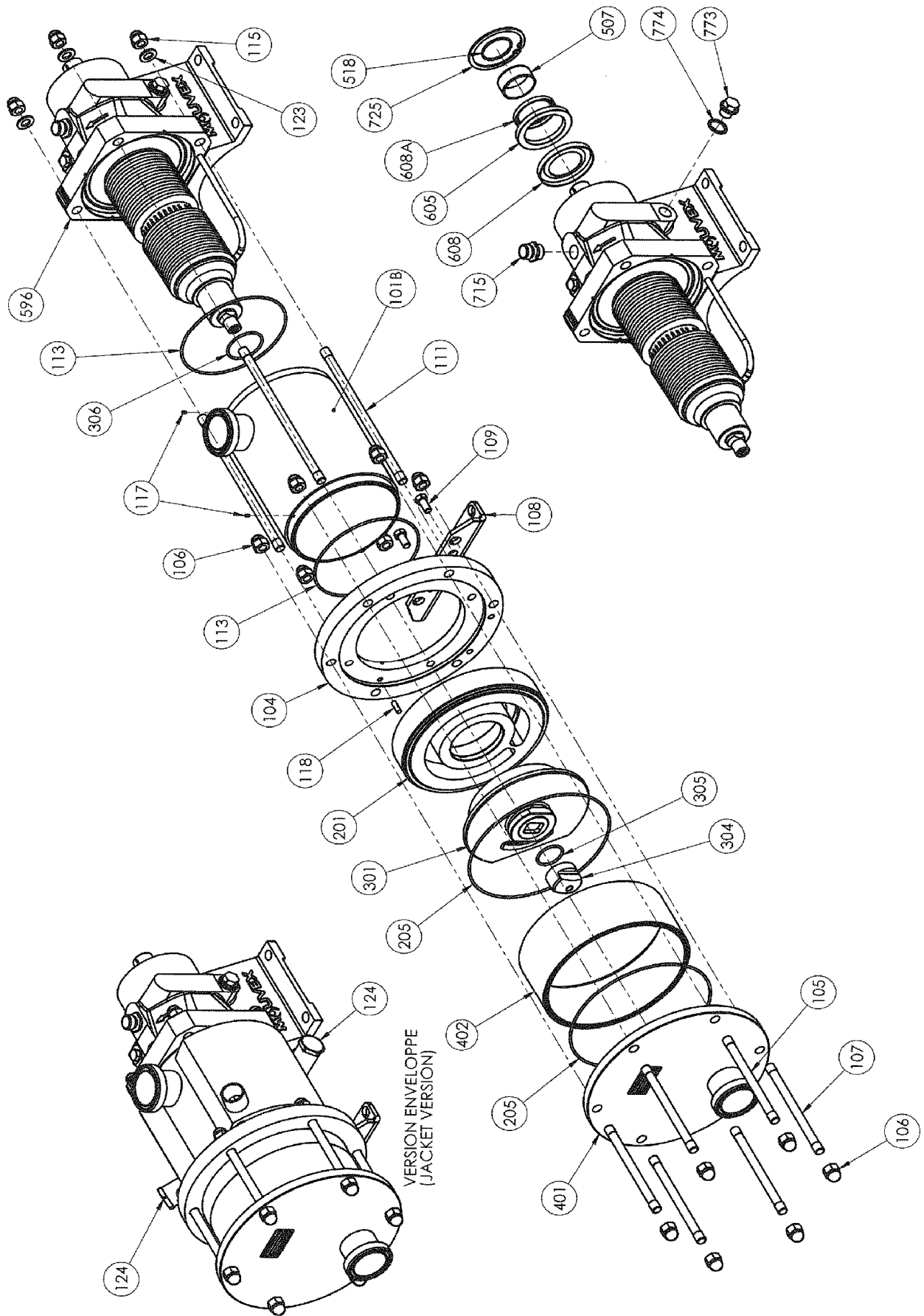
CVT : FEP encapsulated FKM ; FDA : Food and Drug Administration (21 CFR 177 2600)

Z.I. la Plaine des Isles - 2 rue des Caillottes F-89000 AUXERRE - France

Tel : +33 (0)3 86 49 86 30 • Fax : +33 (0)3 86 49 87 17

contact@mouvex.com • www.mouvex.com

SLS12 i - SLS18 i



SLS12 i

* 1, 2, 4... : Quantity in equipment - (1), (2), (4)... : Quantity in kit

Item	Available	Description	Qty*	Ref.	Maintenance kit	Wear part
8	◆	PLUGS + BREATHER	1	314259.01		
715	◆	SNIFTER VALVE	1	220281		●
771		SEAL	(1)			●
772		PLUG	(1)			
9	◆	BEARING GASKETS _ RING SET	1	312855.01		
507		SEAL RING	(1)			●
518		O-RING	(1)			●
605		RING	(1)			●
608		LIP SEAL	(1)			●
608A		LIP SEAL	(1)			●
725		CIRCLIPS	(1)			
100	◆	INLET MANIFOLD FLANGE ASEPTIK DIN 11864-BF-A DN65	1	313559.00		
100	◆	JACKETED INLET MANIFOLD FLANGE ASEPTIK DIN 11864-BF-A DN65	1	313572.00		
100	◆	INLET MANIFOLD CONNECTIONS CLAMP ASME-BPE	1	317120.00		
100	◆	INLET MANIFOLD CONNECTION CLAMP ISO 63	1	311644.00		
100	◆	JACKETED INLET MANIFOLD CONNECTION CLAMP ISO 63	1	311857.00		
100	◆	INLET MANIFOLD CONNECTION DIN 65	1	311646.00		
100	◆	JACKETED INLET MANIFOLD CONNECTION DIN 65	1	311858.00		
100	◆	JACKETED INLET MANIFOLD CONNECTIONS CLAMP ASME-BPE	1	317121.00		
100	◆	INLET MANIFOLD CONNECTION SMS 63	1	311581.00		
100	◆	JACKETED INLET MANIFOLD CONNECTION SMS 63	1	311853.00		
101B		MAIN BODY	(1)			
104		MAIN BODY FLANGE	(1)			
108		SUPPORT FOOT	(1)			
109		SCREW	(2)			
117		PIN	(2)			
118		PIN	(1)			
124		PLUG (WITH JACKETED INLET)	(2)			
119	◆	SET OF STUDS AND NUTS	1	311580.00		
105		STUD	(4)			
106		BLIND NUT	(12)			
107		STUD	(2)			
111		STUD	(4)			
115		BLIND NUT	(4)			
123		WASHER	(4)			
200	◆	SET CYLINDER_PISTON	1	312865.04	■	
201		CYLINDER	(1)			●
301		PISTON	(1)			●
304	◆	PISTON NUT	1	218053		●
206	◆	SET OF CVT 'O' RING SEALS	1	311589.00	■	
206	◆	SET OF FKM LIP SEALS ('L' RINGS) FDA	1	311763.02	■	
206	◆	SET OF FKM 'O' RING SEALS	1	311588.00	■	
113		SEAL	(2)			●
205		SEAL RING	(2)			●
305		SEAL	(1)			●
306		SEAL	(1)			●
400	◆	COMPLETE FRONT COVER FLANGE ASEPTIK DIN 11864-BF-A DN65	1	313557.00		
400	◆	COMPLETE FRONT COVER CONNECTION CLAMP ASME-BPE	1	317122.00		
400	◆	COMPLETE FRONT COVER CONNECTION CLAMP ISO 63	1	311637.00		
400	◆	COMPLETE FRONT COVER CONNECTION DIN 65	1	311639.00		
400	◆	COMPLETE FRONT COVER CONNECTION SMS 63	1	311590.00		
401		FRONT COVER	(1)			
402		OUTLET TUBE	(1)			

SLS12 i

* 1, 2,4... : Quantity in equipment - (1), (2), (4)... : Quantity in kit

Item	Available	Description	Qty*	Ref.	Maintenance kit	Wear part
		COMPLETE TRANSMISSION :				
596	◆	WITHOUT BELLOWS MONITORING SYSTEM	1	313789.01	■	●
596	◆	WITHOUT BELLOWS MONITORING SYSTEM - JACKET	1	313848.01	■	●
596	◆	WITH PRESSURE SWITCH BELLOWS MONITORING SYSTEM	1	313670.02	■	●
596	◆	WITH ATEX PRESSURE SWITCH BELLOWS MONITORING SYSTEM	1	313786.01	■	●
596	◆	WITH ATEX PRESSURE SWITCH BELLOWS MONITORING SYSTEM - JACKET	1	313791.02	■	●
596	◆	WITH PRESSURE SWITCH BELLOWS MONITORING SYSTEM -JACKET	1	313671.02	■	●

SLS18 i

* 1, 2, 4... : Quantity in equipment - (1), (2), (4)... : Quantity in kit

Item	Available	Description	Qty*	Ref.	Maintenance kit	Wear part
8	◆	PLUGS + BREATHER	1	314259.01		
715	◆	SNIFTER VALVE	1	220281		●
771		SEAL	(1)			●
772		PLUG	(1)			
9	◆	BEARING GASKETS _ RING SET	1	312855.01		
507		SEAL RING	(1)			●
518		O-RING	(1)			●
605		RING	(1)			●
608		LIP SEAL	(1)			●
608A		LIP SEAL	(1)			●
725		CIRCLIPS	(1)			
100	◆	INLET MANIFOLD FLANGE ASEPTIK DIN 11864-BF-A DN65	1	313559.00		
100	◆	JACKETED INLET MANIFOLD FLANGE ASEPTIK DIN 11864-BF-A DN65	1	313572.00		
100	◆	INLET MANIFOLD CONNECTIONS CLAMP ASME-BPE	1	317120.00		
100	◆	INLET MANIFOLD CONNECTION CLAMP ISO 63	1	311644.00		
100	◆	JACKETED INLET MANIFOLD CONNECTION CLAMP ISO 63	1	311857.00		
100	◆	INLET MANIFOLD CONNECTION DIN 65	1	311646.00		
100	◆	JACKETED INLET MANIFOLD CONNECTION DIN 65	1	311858.00		
100	◆	JACKETED INLET MANIFOLD CONNECTIONS CLAMP ASME-BPE	1	317121.00		
100	◆	INLET MANIFOLD CONNECTION SMS 63	1	311581.00		
100	◆	JACKETED INLET MANIFOLD CONNECTION SMS 63	1	311853.00		
101B		MAIN BODY	(1)			
104		MAIN BODY FLANGE	(1)			
108		SUPPORT FOOT	(1)			
109		SCREW	(2)			
117		PIN	(2)			
118		PIN	(1)			
124		PLUG (WITH JACKETED INLET)	(2)			
119	◆	SET OF STUDS AND NUTS	1	311748.00		
105		STUD	(4)			
106		BLIND NUT	(12)			
107		STUD	(2)			
111		STUD	(4)			
115		BLIND NUT	(4)			
123		WASHER	(4)			
200	◆	SET CYLINDER_PISTON	1	312867.00	■	
201		CYLINDER	(1)			●
301		PISTON	(1)			●
304	◆	PISTON NUT	1	218397		●
206	◆	SET OF CVT 'O' RING SEALS	1	311589.00	■	
206	◆	SET OF FKM LIP SEALS ('L' RINGS) FDA	1	311763.02	■	
206	◆	SET OF FKM 'O' RING SEALS	1	311588.00	■	
113		SEAL	(2)			●
205		SEAL RING	(2)			●
305		SEAL	(1)			●
306		SEAL	(1)			●
400	◆	COMPLETE FRONT COVER FLANGE ASEPTIK DIN 11864-BF-A DN65	1	313557.00		
400	◆	COMPLETE FRONT COVER CONNECTION CLAMP ASME-BPE	1	317122.00		
400	◆	COMPLETE FRONT COVER CONNECTION CLAMP ISO 63	1	311637.00		
400	◆	COMPLETE FRONT COVER CONNECTION DIN 65	1	311639.00		
400	◆	COMPLETE FRONT COVER CONNECTION SMS 63	1	311590.00		
401		FRONT COVER	(1)			
402		OUTLET TUBE	(1)			

SLS18 i

* 1, 2,4... : Quantity in equipment - (1), (2), (4)... : Quantity in kit

Item	Available	Description	Qty*	Ref.	Maintenance kit	Wear part
		COMPLETE TRANSMISSION :				
596	◆	WITHOUT BELLOWS MONITORING SYSTEM	1	313789.01	■	●
596	◆	WITHOUT BELLOWS MONITORING SYSTEM - JACKET	1	313848.01	■	●
596	◆	WITH PRESSURE SWITCH BELLOWS MONITORING SYSTEM	1	313670.02	■	●
596	◆	WITH ATEX PRESSURE SWITCH BELLOWS MONITORING SYSTEM	1	313786.01	■	●
596	◆	WITH ATEX PRESSURE SWITCH BELLOWS MONITORING SYSTEM - JACKET	1	313791.02	■	●
596	◆	WITH PRESSURE SWITCH BELLOWS MONITORING SYSTEM -JACKET	1	313671.02	■	●