

**blackline** **pro**  
an OBL brand



**Remote-Control  
made simple**

**BL 2.0 M-PRO**

**BL 2.0 R-PRO**



**OBL**  
METERING PUMPS

**IBEX**

# Quality



“Designed to suit the most critical applications with solid construction and a comprehensive control interface providing ease-of-process management”

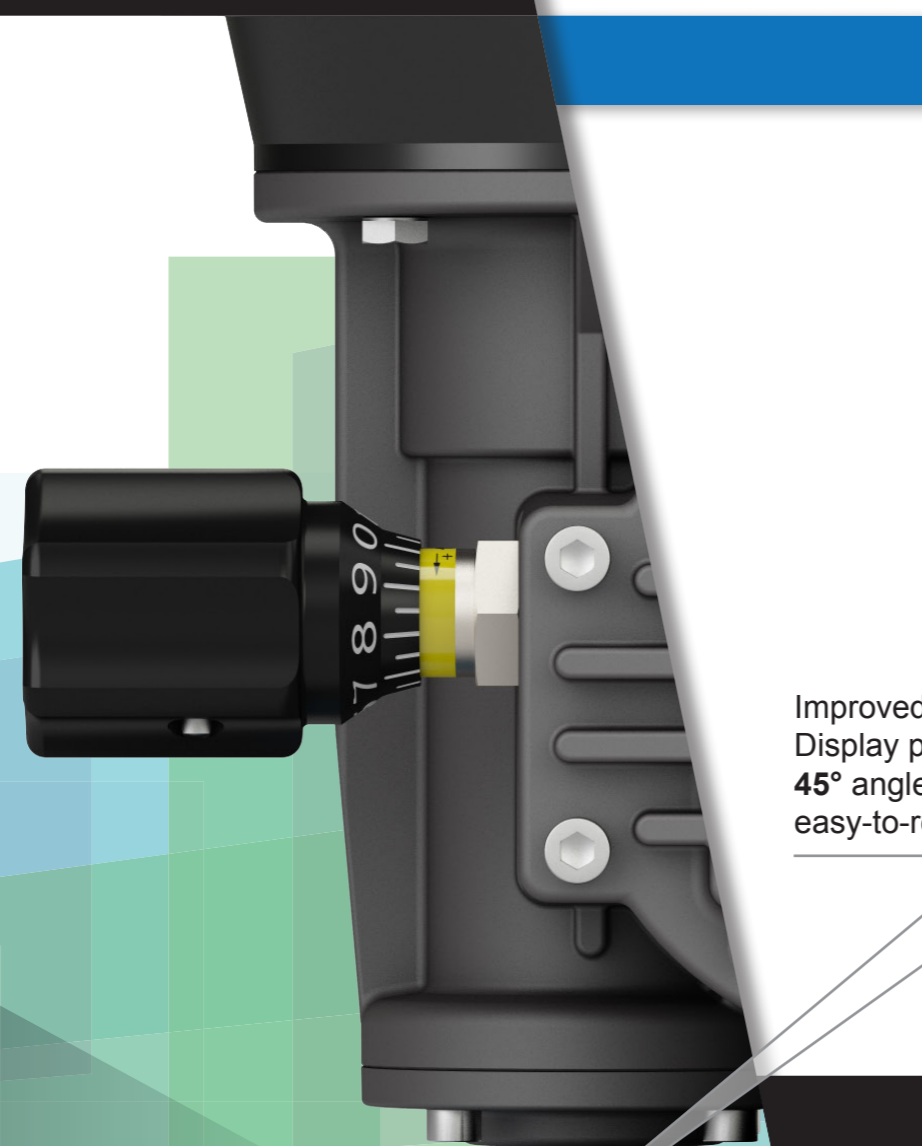
OBLs new flexible solution for remotely controlling your Blackline 2.0 metering pump. High quality materials and enhanced user-friendly interface makes controlling your pump simple.

***OBL We help grow your business***

Aluminium casing with anti-acid coating and IP65 enclosure protection.



# Modular



Improved ergonomics  
Display positioned at  
**45°** angle clear and  
easy-to-read.

45°



90°



Variable Gearbox  
Orientation 0°-90°.

# Versatile

Backwards compatible  
unit, possible  
installation on all  
Blackline 2.0 models  
**M** and **R** series.



# Simple

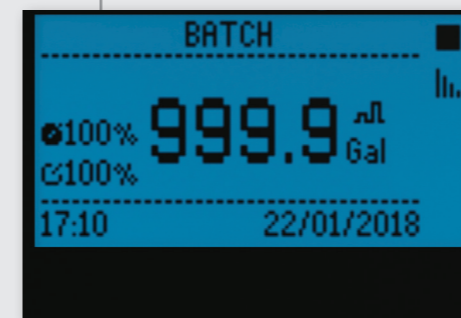


10 different operating modes to fit any type of dosing application:

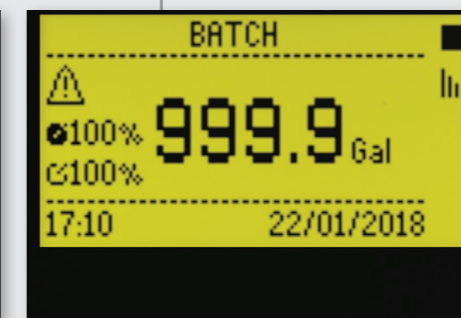
- 1 CONSTANT
- 2 BATCH
- 3 PAUSE-WORK
- 4 WEEKLY PROGRAM
- 5 ANALOG mA
- 6 ANALOG Volt
- 7 PPM
- 8 PAUSE-PERCENTAGE
- 9 MLQ (millilitres per quintal)
- 10 PULSE

Intuitive colour coded display messages:

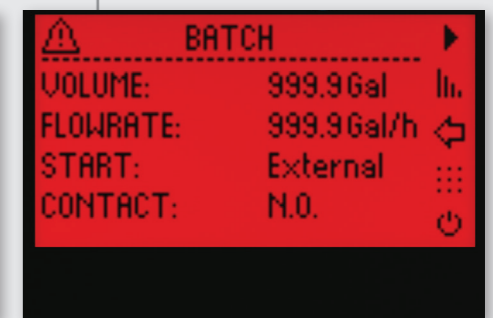
BLUE Running



YELLOW Warning



RED Alarm



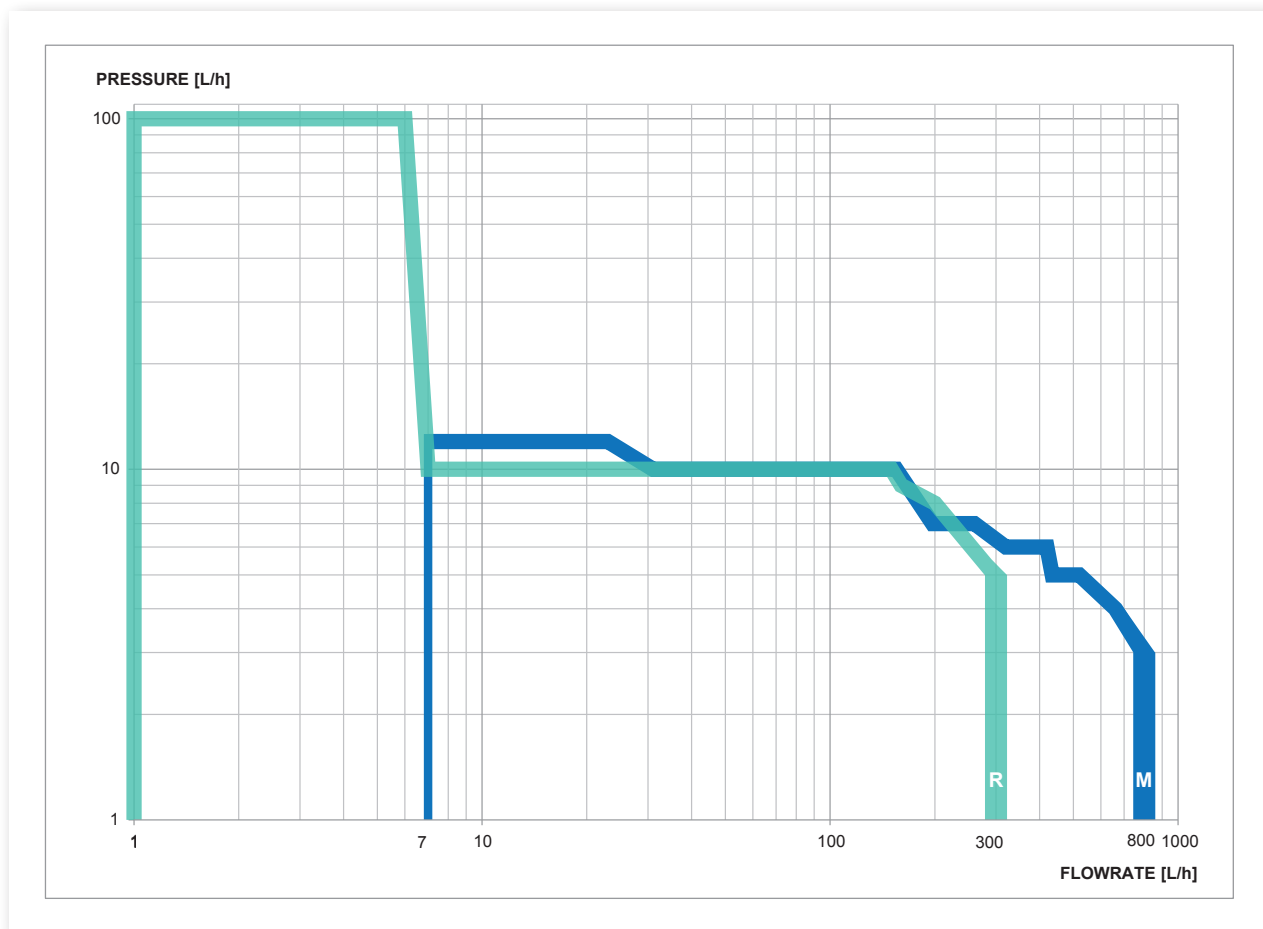
User friendly "JDS" Jog-dial-selector for easy menu navigation

## Connections



- 1 **USB**  
Host-statistics;  
Diagnostics;  
Configuration copy/backup;  
Firmware updating
- 2 **LEVEL**  
Two digital functions for "Full" and "low" level input
- 3 **PROXIMITY**  
Stroke counter for mechanical alarm detection
- 4 **OUTPUT**  
4-20mA output signal + relay signal management
- 5 **MODBUS**  
Integrated RS485 module for MODBUS communication protocol
- 6 **INPUT**  
Analog 4-20mA input (PLC; Flowmeter; pH probe) + 2 digital (ON/OFF and Pulse control)

## ► M and R series Performance range



Technical data are subject to modifications without prior notice  
 REGIOVA.IT

[oblblackline.com](http://oblblackline.com)

**OBL S.r.l.**

Via Kennedy, 12

20090 Segrate (MI) - Italy

Tel. +39.02.269191

Fax +39.02.2133893

[obl.info@idexcorp.com](mailto:obl.info@idexcorp.com)

[oblpumps.it](http://oblpumps.it)



**IDEX**