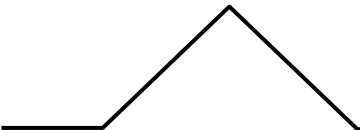
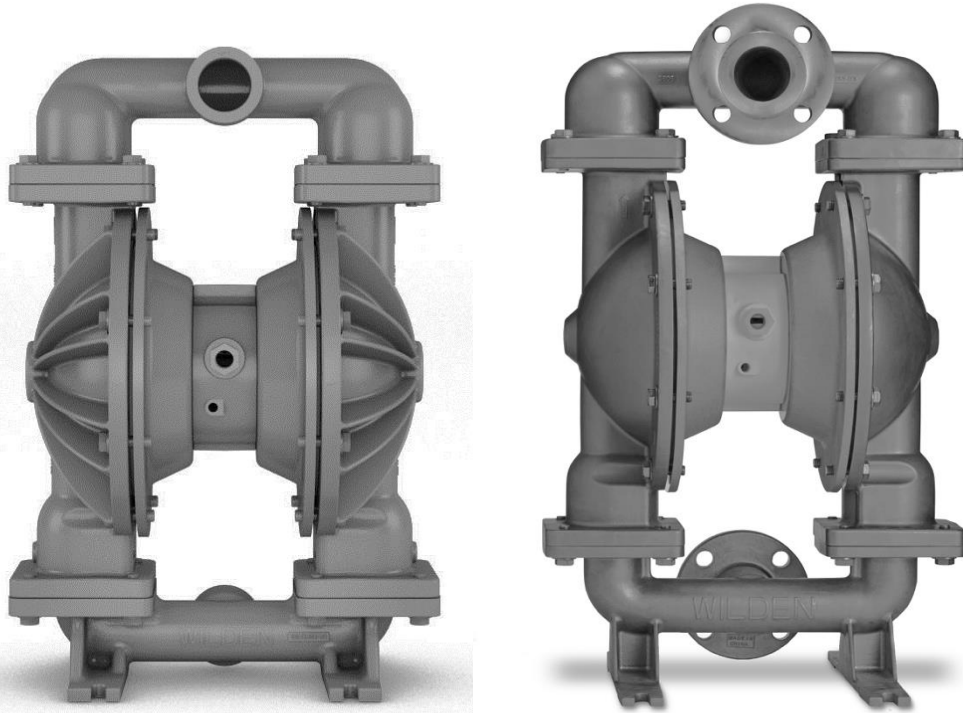


# EOM

ENGINEERING OPERATION  
& MAINTENANCE

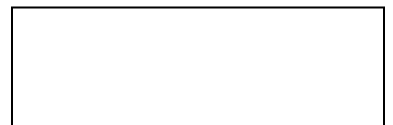
# P820/P830

# Bolted Metal Pump



Where Innovation Flows

# WILDEN®



WIL-11590-E-03

## Contents

<b>Section 1: Precautions - Read First!</b> .....	<b>4</b>
<b>Section 2: Wilden Pump Designation System</b> .....	<b>5</b>
<b>Section 3: How It Works</b> .....	<b>6</b>
<b>Section 4: Dimensional Drawings</b> .....	<b>7</b>
<b>Section 5: Performance</b> .....	<b>9</b>
P820/P830 Metal Rubber-Fitted.....	9
P820/P830 Metal EZ-Install TPE-Fitted.....	9
P820/P830 Metal Reduced-Stroke PTFE-Fitted.....	10
P820/P830 Metal Full-Stroke PTFE-Fitted.....	10
Suction-Lift Capability.....	11
<b>Section 6: Suggested Installation, Operation, Maintenance and Troubleshooting</b> .....	<b>12</b>
<b>Section 7: Disassembly / Reassembly</b> .....	<b>15</b>
Pump Disassembly.....	15
Air Valve Disassembly.....	18
Shaft Seal Installation.....	21
<b>Section 8: Exploded View and Parts List</b> .....	<b>22</b>
P820/P830 Metal.....	22
<b>Section 9 Elastomer Options</b> .....	<b>24</b>

## Copyright

Copyright 2018 PSG<sup>®</sup>, a Dover Company. All rights reserved.

PSG reserves the right to modify the information and illustrations in this document without prior notice. The product described in this document is furnished under a license agreement or nondisclosure agreement. No part of this document may be reproduced, stored in a retrieval system, or transmitted in any form or any means electronic or mechanical, including photocopying and recording, without the written permission of PSG, a Dover Company, except as described by the terms of those agreements.

This is a non-contractual document. 01-2019.

## Trademarks

PSG and the PSG logo are registered trademarks of PSG. Wilden<sup>®</sup> is a registered trademark of PSG California LLC. Pro-Flo<sup>®</sup> SHIFT and Pro-Flo<sup>®</sup> are registered trademarks of PSG California LLC. Wil-Flex<sup>®</sup> is a trademark of PSG California LLC. Saniflex<sup>™</sup> is a trademark of PSG California LLC.

All trademarks, names, logos and service marks (collectively "trademarks") in this document are registered and unregistered trademarks of their respective owners. Nothing contained in this document should be construed as granting any license or right to use any trademark without the prior written permission of the trademark owner.

## Warranty

Each and every product manufactured by Wilden is built to meet the highest standards of quality. Every pump is functionally tested to insure integrity of operation. Wilden warrants that pumps, accessories and parts manufactured or supplied by it to be free from defects in material and workmanship for a period of five (5) years from date of installation or six (6) years from date of manufacture, whichever comes first.


For more information, and to register your Wilden pump for warranty, please visit <https://www.psgdover.com/wilden/support/warranty-registration>.

## Certifications





**Section 1**

**Precautions - Read First!**

 **WARNING:** Always wear safety glasses when operating a pump to avoid eye injury. If diaphragm rupture occurs, material being pumped may be forced out of the air exhaust.

 **CAUTION:** Do not apply compressed air to the exhaust port – pump will not function.


 **CAUTION:** Do not over-lubricate air supply– excess lubrication will reduce pump performance. Pump is pre-lubed.


 **TEMPERATURE LIMITS:**


Acetal	-29°C to 82°C	-20°F to 180°F
Buna-N	-12°C to 82°C	10°F to 180°F
Geolast	-40°C to 82°C	-40°F to 180°F
Neoprene	-18°C to 93°C	0°F to 200°F
Nordel EPDM	-51°C to 138°C	-60°F to 280°F
Nylon	-18°C to 93°C	0°F to 200°F
PFA	-7°C to 107°C	45°F to 225°F
Polypropylene	0°C to 79°C	32°F to 175°F
Polyurethane	-12°C to 66°C	10°F to 150°F
PVDF	-12°C to 107°C	10°F to 225°F
Saniflex	-29°C to 104°C	-20°F to 220°F
SIPD PTFE with EPDM-backed	4°C to 137°C	40°F to 280°F
SIPD PTFE with Neoprene-backed	4°C to 93°C	40°F to 200°F
PTFE*	4°C to 104°C	40°F to 220°F
FKM	-40°C to 177°C	-40°F to 350°F
Wil-Flex	-40°C to 107°C	-40°F to 225°F


\*4°C to 149°C (40°F to 300°F) - 13 mm (1/2") and 25 mm (1") models only.


**NOTE:** Not all materials are available for all models. See "Wilden Pump Designation System" on page 5 for material options for your pump.


 **CAUTION:** When choosing pump materials, be sure to check the temperature limits for all wetted components. Example: FKM has a maximum limit of 177°C (350°F), but polypropylene has a maximum limit of only 79°C (175°F).


 **CAUTION:** Maximum temperature limits are based on mechanical stress only. Certain chemicals will reduce maximum safe operating temperatures significantly. Consult the Chemical Resistance Guide for chemical compatibility and temperature limits.


 **CAUTION:** All Wilden pumps are capable of passing solids. Use a strainer on the pump intake to ensure that the pump's rated solids capacity is not exceeded.


 **CAUTION:** Do not exceed 8.6 bar (125 psig) air supply pressure.


 **CAUTION:** The process fluid and cleaning fluids must be compatible chemically with all wetted pump components.

 **CAUTION:** Do not exceed 82°C (180°F) air inlet temperature for all models.


 **CAUTION:** Thoroughly flush pumps before installing them into process lines. Clean and/or sanitize FDA- and USDA-approved pumps before using them.

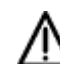
 **CAUTION:** Before attempting any maintenance or repair, disconnect the compressed air line to the pump and allow all air pressure to bleed from the pump. Disconnect all intake, discharge, and air lines. Drain the pump by turning it upside down and allowing any fluid to flow into a suitable container. Be aware of any hazardous effects of contact with your process fluid.


 **CAUTION:** Before attaching the air line to the pump, blow out the air line for 10 to 20 seconds to make sure all pipeline debris is clear. Use an in-line air filter. A 5µ (micron) air filter is recommended.

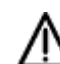
 **CAUTION:** Pro-Flo pumps cannot be used in submersible applications.

 **CAUTION:** Before installation, tighten all hardware.

 **NOTE:** Materials of construction and elastomer material have an effect on suction lift parameters. Please refer to "Performance" on page 9 for specifics.

 **NOTE:** When installing PTFE diaphragms, it is important to tighten outer pistons simultaneously (turning in opposite directions) to ensure tight fit. (See "Maximum Torque Specifications" on page 21.)

 **NOTE:** Some PTFE-fitted pumps come standard from the factory with expanded PTFE gaskets installed in the diaphragm bead of the liquid chamber. PTFE gaskets cannot be re-used.

 **NOTE:** In the event of a power failure, close the shut-off valve if you do not want the pump to restart when the power returns.

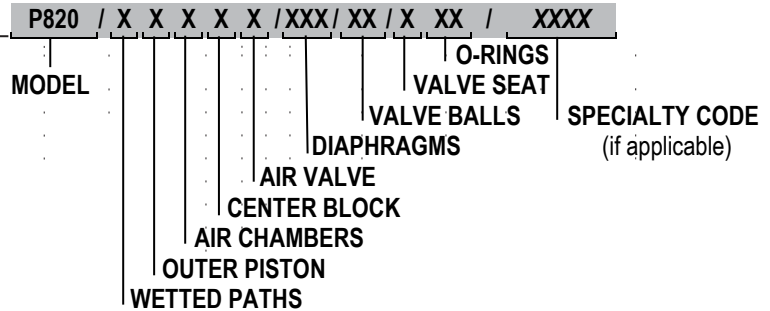
**Section 2**

**WILDEN PUMP DESIGNATION SYSTEM**

**P820/P830 METAL**

51 mm (2") Pump  
Maximum Flow Rate:  
609 lpm (161 gpm)

**LEGEND**



**MATERIAL CODES**

**MODEL**

P820 = PRO-FLO® THREADED PORTS  
P830 = PRO-FLO® FLANGED PORTS

**WETTED PATH**

A = ALUMINUM  
S = STAINLESS STEEL  
W = DUCTILE IRON

**OUTER PISTON**

A = ALUMINUM  
S = STAINLESS STEEL  
W = DUCTILE IRON

**AIR CHAMBERS**

A = ALUMINUM

**CENTER BLOCK**

P = POLYPROPYLENE

**AIR VALVE**

P = POLYPROPYLENE

**DIAPHRAGMS**

BNS = BUNA-N (Red Dot)  
EPS = EPDM (Blue Dot)  
FWS = SANITARY WIL-FLEX™, EZ-INSTALL [Santoprene®] (Two Black Dots)  
NES = NEOPRENE (Green Dot)  
TEU = PTFE w/EPDM BACK-UP (White)  
TNU = PTFE w/NEOPRENE BACK-UP (White)  
TSS = FULL-STROKE PTFE w/SANIFLEX™ BACKUP  
TSU = PTFE w/SANIFLEX™ BACK-UP (White)  
TWS = FULL-STROKE PTFE w/WIL-FLEX™ BACK-UP (White Dot)  
VTS = FKM (White Dot)  
XBS = CONDUCTIVE BUNA-N (Two Red Dots)  
ZGS = GEOLAST®, EZ-INSTALL (Black)  
ZPS = POLYURETHANE, EZ-INSTALL (Clear)  
ZSS = SANIFLEX™, EZ-INSTALL [Hytrel® (Cream)]  
ZWS = WIL-FLEX™, EZ-INSTALL [Santoprene® (Three Black Dots)]

**VALVE BALLS**

BN = BUNA-N (Red Dot)  
FS = SANIFLEX™ [Hytrel® (Cream)]  
FW = SANITARY WIL-FLEX™ [Santoprene®] (Two Black Dots)  
EP = EPDM (Blue Dot)  
NE = NEOPRENE (Green Dot)  
PU = POLYURETHANE (Brown)  
TF = PTFE (White)  
VT = FKM (Silver or White Dot)  
WF = WIL-FLEX™ [Santoprene®] (Three Black Dots)]

**VALVE SEATS**

A = ALUMINUM  
BN = BUNA-N (Red Dot)  
EP = EPDM (Blue Dot)  
FS = SANIFLEX™ [Hytrel® (Cream)]  
FW = SANITARY WIL-FLEX™ [Santoprene®] (Two Black Dots)]  
M = MILD STEEL  
NE = NEOPRENE (Green Dot)  
PU = POLYURETHANE (Brown)  
S = STAINLESS STEEL  
VT = FKM (White Dot)  
WF = WIL-FLEX™ [Santoprene®] (Three Black Dots)]

**VALVE SEAT O-RINGS**

TF = PTFE (White)

**SPECIALTY CODES**

- |                                 |  |
|---------------------------------|--|
| 0014 BSPT                       | 0480 Pump Cycle Monitor (sensor & wires)                     |
| 0100 Wil-Gard 110V              | 0483 Pump Cycle Monitor (module, sensor & wires)             |
| 0102 Wil-Gard sensor wires ONLY | 0485 Pump Cycle Monitor (module, sensor & wires), DIN flange |
| 0103 Wil-Gard 220V              | 0504 DIN flange  |

**NOTE:** Most elastomeric materials use colored dots for identification.

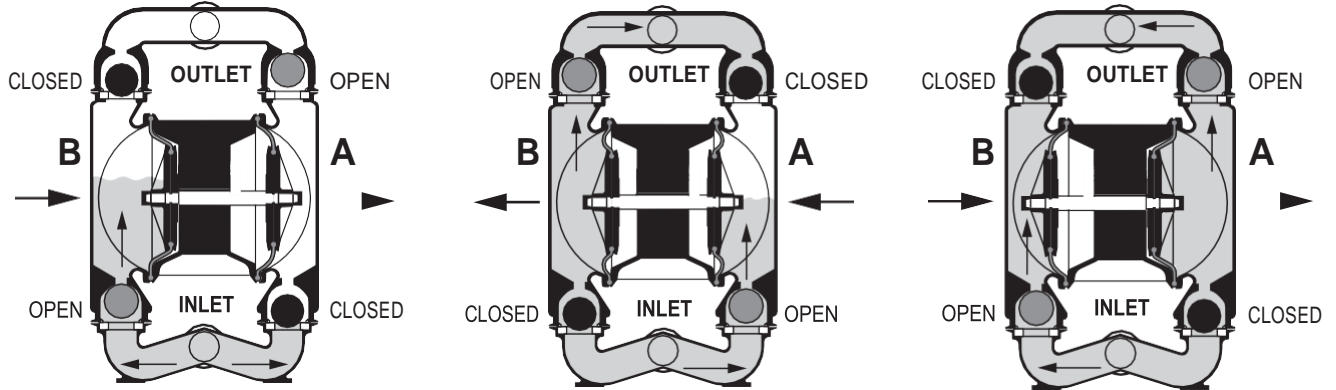
**NOTE:** Not all models are available with all material options.

Hytrel® is a registered trademark of DuPont Dow Elastomers.

**Section 3**

**HOW IT WORKS — PUMP**

The Wilden diaphragm pump is an air-operated, positive displacement, self-priming pump. These drawings show flow pattern through the pump upon its initial stroke. It is assumed the pump has no fluid in it prior to its initial stroke.

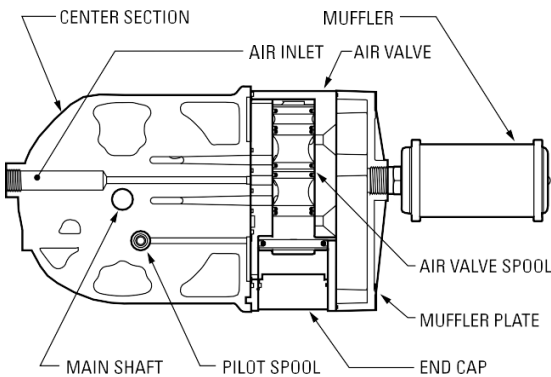


**FIGURE 1** The air valve directs pressurized air to the back side of diaphragm A. The compressed air is applied directly to the liquid column separated by elastomeric diaphragms. The diaphragm acts as a separation membrane between the compressed air and liquid; a balanced load removes mechanical stress from the diaphragm. The compressed air moves the diaphragm away from the center of the pump. The opposite diaphragm is pulled in by the shaft connected to the pressurized diaphragm. Diaphragm B is on its suction stroke; air behind the diaphragm has been forced out to atmosphere through the exhaust port of the pump. The movement of diaphragm B toward the center of the pump creates a vacuum within chamber B. Atmospheric pressure forces fluid into the inlet manifold forcing the inlet valve ball off its seat. Liquid is free to move past the inlet valve ball and fill the liquid chamber (see shaded area).

**FIGURE 2** When the pressurized diaphragm, diaphragm A, reaches the limit of its discharge stroke, the air valve redirects pressurized air to the back side of diaphragm B. The pressurized air forces diaphragm B away from the center while pulling diaphragm A to the center. Diaphragm B is now on its discharge stroke. Diaphragm B forces the inlet valve ball onto its seat due to the hydraulic forces developed in the liquid chamber and manifold of the pump. These same hydraulic forces lift the discharge valve ball off its seat, while the opposite discharge valve ball is forced onto its seat, forcing fluid to flow through the pump discharge. The movement of diaphragm A toward the center of the pump creates a vacuum within liquid chamber A. Atmospheric pressure forces fluid into the inlet manifold of the pump. The inlet valve ball is forced off its seat allowing the fluid being pumped to fill the liquid chamber.

**FIGURE 3** At completion of the stroke, the air valve again redirects air to the back side of diaphragm A, which starts diaphragm B on its exhaust stroke. As the pump reaches its original starting point, each diaphragm has gone through one exhaust and one discharge stroke. This constitutes one complete pumping cycle. The pump may take several cycles to completely prime depending on the conditions of the application.

**HOW IT WORKS— AIR DISTRIBUTION SYSTEM**

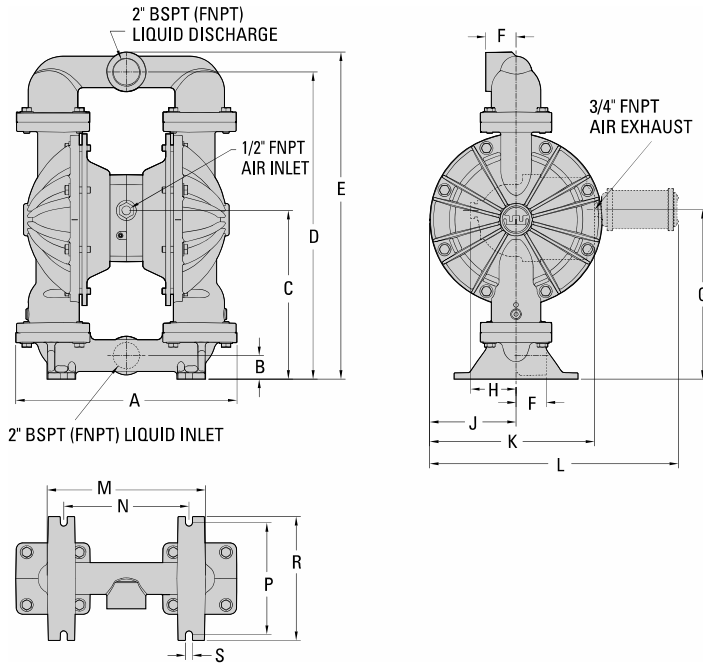


The Pro-Flo® patented air distribution system incorporates two moving parts: the air valve spool and the pilot spool. The heart of the system is the air valve spool and air valve. This valve design incorporates an unbalanced spool. The smaller end of the spool is pressurized continuously, while the large end is alternately pressurized then exhausted to move the spool. The spool directs pressurized air to one air chamber while exhausting the other. The air causes the main shaft/diaphragm assembly to shift to one side — discharging liquid on that side and pulling liquid in on the other side. When the shaft reaches the end of its stroke, the inner piston actuates the pilot spool, which pressurizes and exhausts the large end of the air valve spool. The repositioning of the air valve spool routes the air to the other air chamber.

**Section 4**

**DIMENSIONAL DRAWING**

**P820 Metal**

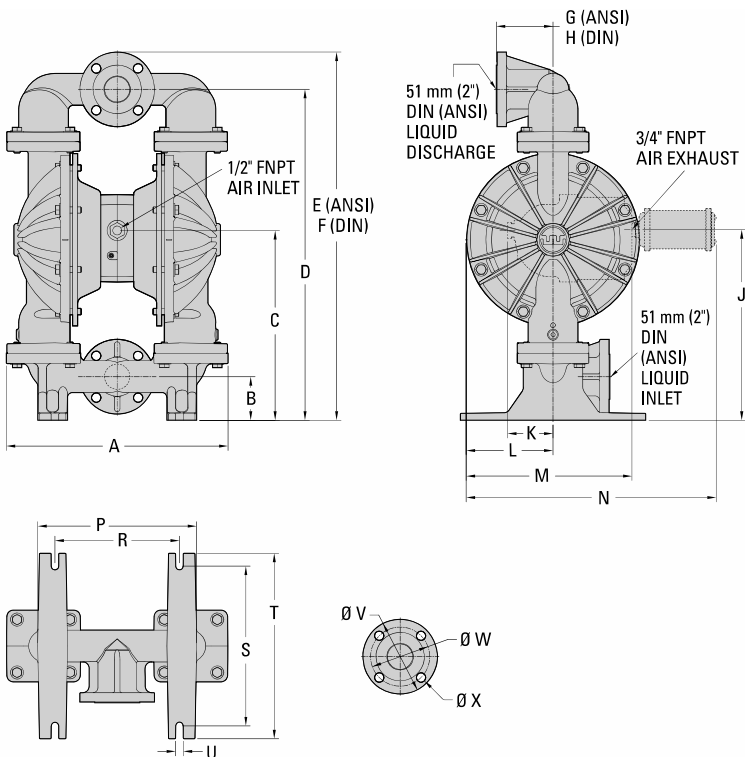


**DIMENSIONS**

ITEM	METRIC (mm)	STANDARD (inch)
A	453	17.9
B	48	1.9
C	346	13.6
D	630	24.8
E	670	26.4
F	62	2.4
G	347	13.7
H	93	3.7
J	177	7.0
K	338	13.3
L	510	20.1
M	324	12.8
N	257	10.1
P	229	9.0
R	254	10.0
S	14	0.6

LW0369 REV. A

**P830 Metal**



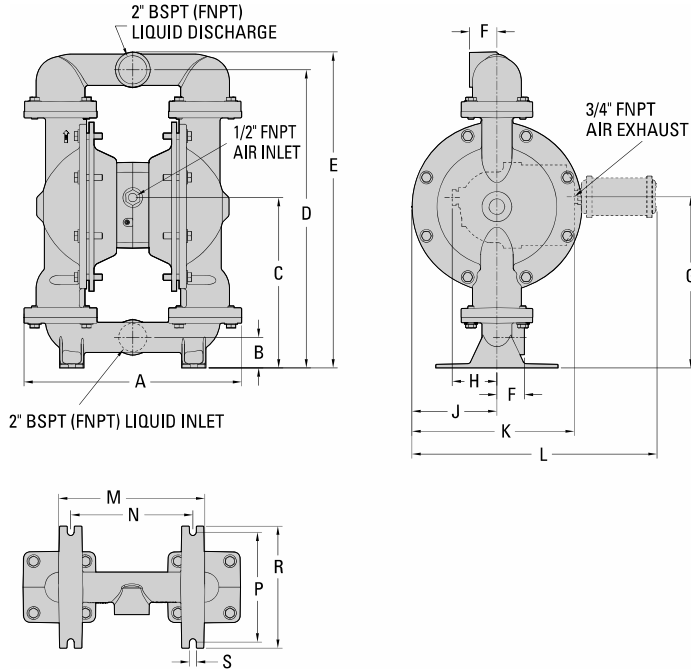
**DIMENSIONS**

ITEM	METRIC (mm)	STANDARD (inch)
A	452	17.8
B	89	3.5
C	387	15.3
D	675	26.6
E	752	29.6
F	758	29.8
G	116	4.6
H	117	4.6
J	389	15.3
K	93	3.7
L	177	7.0
M	338	13.3
N	510	20.1
P	324	12.8
R	254	10.0
S	326	12.8
T	378	14.9
U	16	0.6
	<b>DIN (mm)</b>	<b>ANSI (Inch)</b>
V	165 DIA.	6.0 DIA.
W	125 DIA.	4.8 DIA.
X	18 DIA.	0.8 DIA.

LW0370 REV. A

**DIMENSIONAL DRAWING**

**P830 Stainless Steel**

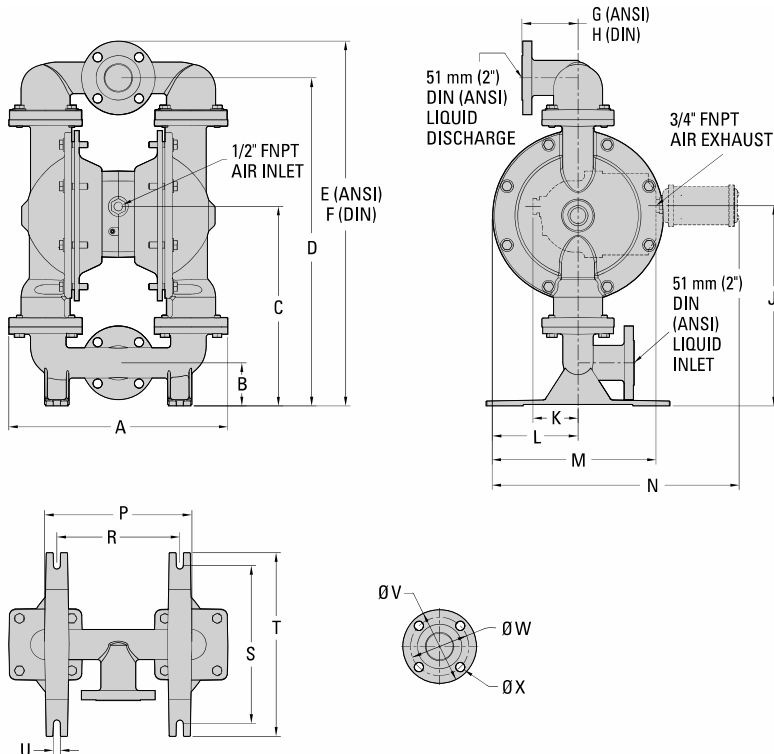


**DIMENSIONS**

ITEM	METRIC (mm)	STANDARD (inch)
A	452	17.8
B	64	2.5
C	354	14.0
D	620	24.4
E	658	25.9
F	58	2.3
G	356	14.0
H	93	3.7
J	178	7.0
K	338	13.3
L	510	20.1
M	305	12.0
N	254	10.0
P	229	9.0
R	254	10.0
S	15	0.6

LW0371 REV. A

**P830 Stainless Steel**



**DIMENSIONS**

ITEM	METRIC (mm)	STANDARD (inch)
A	452	17.8
B	89	3.5
C	412	16.2
D	678	26.7
E	754	29.7
F	760	29.9
G	116	4.6
H	115	4.5
J	413	16.3
K	93	3.7
L	177	7.0
M	338	13.3
N	510	20.1
P	304	12.0
R	254	10.0
S	325	12.8
T	379	14.9
U	14	0.6
	<b>DIN (mm)</b>	<b>ANSI (inch)</b>
V	165 DIA.	6.0 DIA.
W	125 DIA.	4.8 DIA.
X	18 DIA.	0.8 DIA.

LW0372 REV. A



**Section 5**

**P820/P830 METAL RUBBER-FITTED**

Ship Weights .. 820 Threaded AL 47 kg (104 lb)  
 820 Threaded SS 73 kg (161 lb)  
 820 Threaded Iron 71 kg (156 lb)  
 830 Flanged AL 54 kg (118 lb)  
 830 Flanged SS 81 kg (178 lb)  
 830 Flanged Iron 82 Kg (181 lb)

Air Inlet..... 19 mm (3/4")  
 Inlet..... 51 mm (2")  
 Outlet ..... 51 mm (2")  
 Suction Lift ..... 7.4 m Dry (24.3')  
 9.0 m Wet (29.5')

Disp. Per Stroke<sup>1</sup>..... 2.8 L (0.74 gal)  
 Max. Flow Rate..... 609 lpm (161 gpm)  
 Max. Size Solids..... 6.4 mm (1/4")

<sup>1</sup>Displacement per stroke was calculated at 4.8 bar (70 psig) air inlet pressure against 2 bar (30 psig) head pressure.

**Example:** To pump 394 lpm (104 gpm) against a discharge head of 0.69 bar (10 psig) requires 2.8 bar (40 psig) and 63 Nm<sup>3</sup>/h (40 scfm) air consumption.

**Caution:** Do not exceed 8.6 bar (125 psig) air supply pressure.

**P820/P830 METAL EZ-INSTALL TPE-FITTED**

Ship Weights .. 820 Threaded AL 47 kg (104 lb)  
 820 Threaded SS 73 kg (161 lb)  
 820 Threaded Iron 71 kg (156 lb)  
 830 Flanged AL 54 kg (118 lb)  
 830 Flanged SS 81 kg (178 lb)  
 830 Flanged Iron 82 Kg (181 lb)

Air Inlet..... 19 mm (3/4")  
 Inlet..... 51 mm (2")  
 Outlet ..... 51 mm (2")  
 Suction Lift ..... 6.7 m Dry (21.9')  
 9.0 m Wet (29.5')

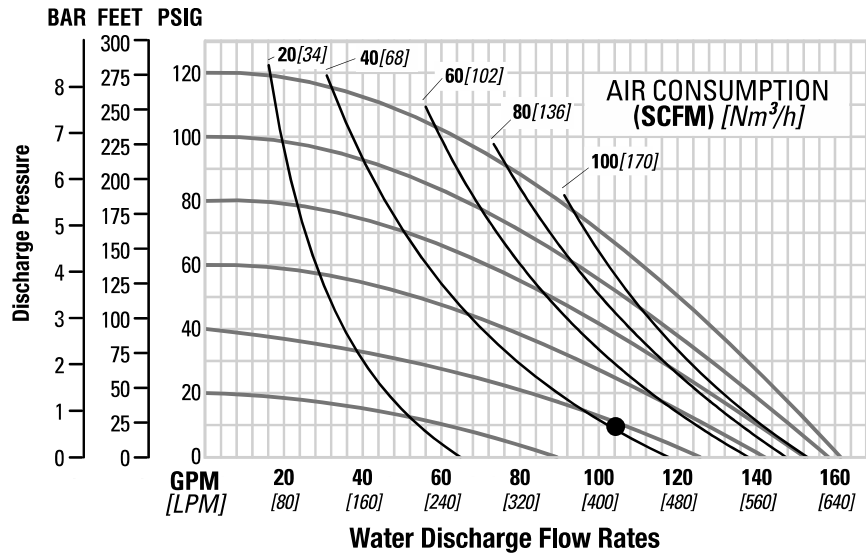
Disp. Per Stroke<sup>1</sup>..... 2.5 L (0.67 gal)  
 Max. Flow Rate..... 605 lpm (160 gpm)  
 Max. Size Solids..... 6.4 mm (1/4")

<sup>1</sup>Displacement per stroke was calculated at 4.8 bar (70 psig) air inlet pressure against 2 bar (30 psig) head pressure.

**Example:** To pump 326 lpm (86 gpm) against a discharge head of 3.4 bar (50 psig) requires 5.5 bar (80 psig) and 98 Nm<sup>3</sup>/h (62 scfm) air consumption.

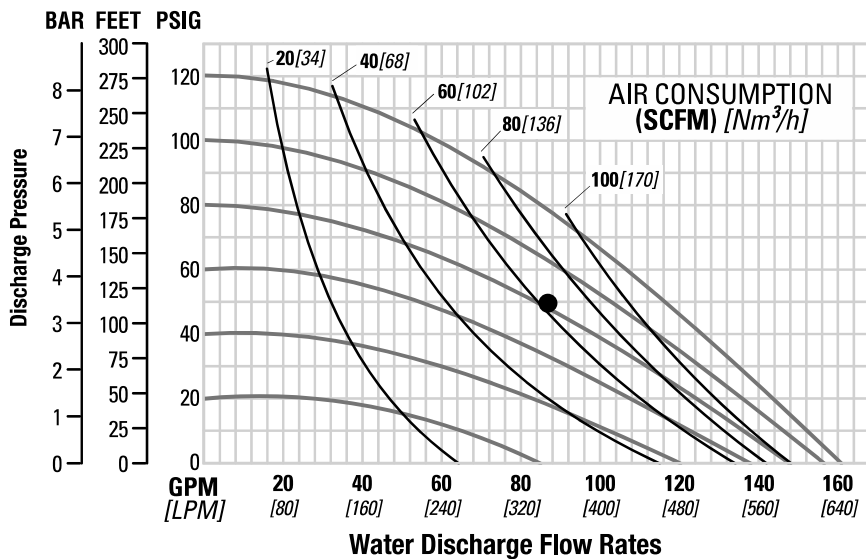
**Caution:** Do not exceed 8.6 bar (125 psig) air supply pressure.

**PERFORMANCE**



Flow rates indicated on chart were determined by pumping water.

For optimum life and performance, pumps should be specified so that daily operation parameters will fall in the center of the pump's performance curve.



Flow rates indicated on chart were determined by pumping water.

For optimum life and performance, pumps should be specified so that daily operation parameters will fall in the center of the pump's performance curve.

**PERFORMANCE**

**P820/P830 METAL  
REDUCED-STROKE  
PTFE-FITTED**

Ship Weights ..... 820 Threaded AL 47 kg (104 lb)  
 820 Threaded SS 73 kg (161 lb)  
 820 Threaded Iron 71 kg (156 lb)  
 830 Flanged AL 54 kg (118 lb)  
 830 Flanged SS 81 kg (178 lb)  
 830 Flanged Iron 82 Kg (181 lb)

Air Inlet..... 19 mm (3/4")  
 Inlet..... 51 mm (2")  
 Outlet ..... 51 mm (2")  
 Suction Lift ..... 4.6 m Dry (15.1')  
 9.0 m Wet (29.5')

Disp. Per Stroke<sup>1</sup>..... 1.7 L (0.46 gal)  
 Max. Flow Rate..... 492 lpm (130 gpm)  
 Max. Size Solids..... 6.4 mm (1/4")

<sup>1</sup>Displacement per stroke was calculated at 4.8 bar (70 psig) air inlet pressure against 2 bar (30 psig) head pressure.

**Example:** To pump 326 lpm (86 gpm) against a discharge head of 1.4 bar (20 psig) requires 4.1 bar (60 psig) and 95 Nm<sup>3</sup>/h (60 scfm) air consumption.

**Caution: Do not exceed 8.6 bar (125 psig) air supply pressure**

**P820/P830 METAL  
FULL-STROKE  
PTFE-FITTED**

Ship Weights .. 820 Threaded AL 47 kg (104 lb)  
 820 Threaded SS 73 kg (161 lb)  
 820 Threaded Iron 71 kg (156 lb)  
 830 Flanged AL 54 kg (118 lb)  
 830 Flanged SS 81 kg (178 lb)  
 830 Flanged Iron 82 Kg (181 lb)

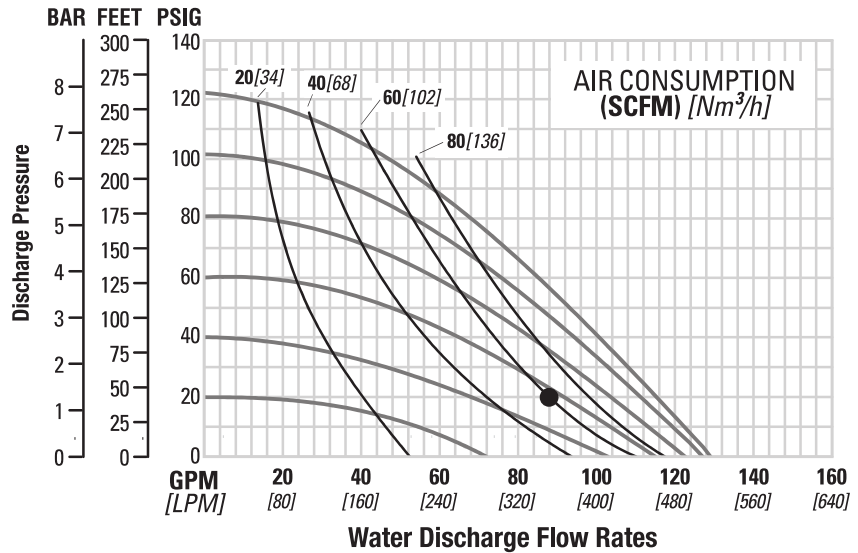
Air Inlet..... 19 mm (3/4")  
 Inlet..... 51 mm (2")  
 Outlet ..... 51 mm (2")  
 Suction Lift ..... 6.9 m Dry (22.6')  
 9.0 m Wet (29.5')

Disp. Per Stroke<sup>1</sup>..... 2.5 L (0.65 gal)  
 Max. Flow Rate..... 590 lpm (156 gpm)  
 Max. Size Solids..... 6.4 mm (1/4")

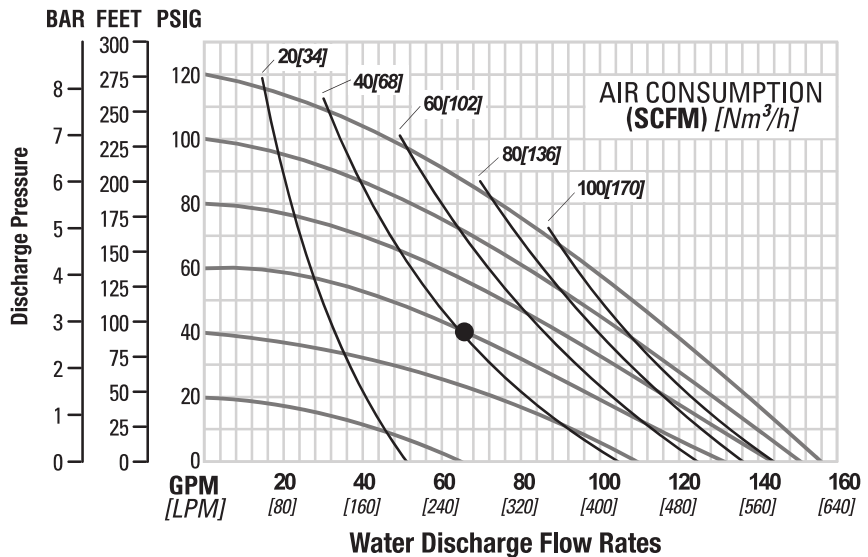
<sup>1</sup>Displacement per stroke was calculated at 4.8 bar (70 psig) air inlet pressure against 2 bar (30 psig) head pressure.

**Example:** To pump 250 lpm (66 gpm) against a discharge head of 2.8 bar (40 psig) requires 4.1 bar (60 psig) and 65 Nm<sup>3</sup>/h (41 scfm) air consumption.

**Caution: Do not exceed 8.6 bar (125 psig) air supply pressure**



Flow rates indicated on chart were determined by pumping water.  
 For optimum life and performance, pumps should be specified so that daily operation parameters will fall in the center of the pump's performance curve.

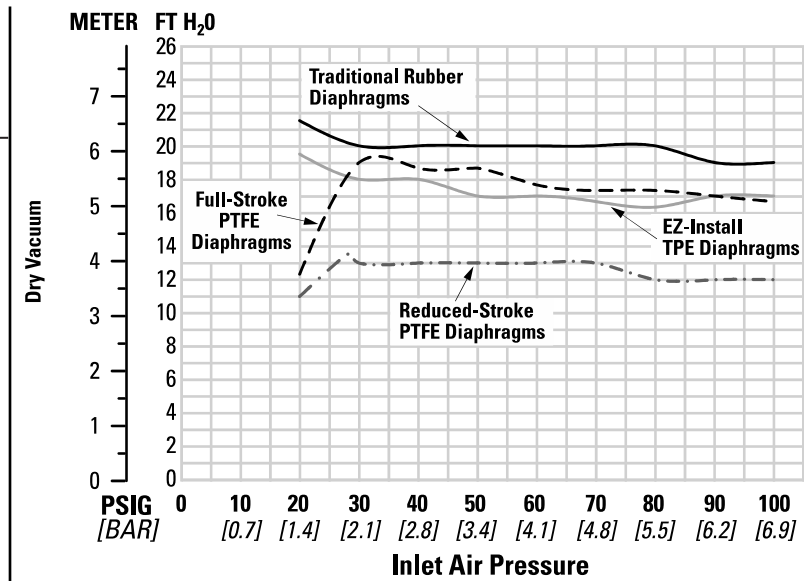


Flow rates indicated on chart were determined by pumping water.  
 For optimum life and performance, pumps should be specified so that daily operation parameters will fall in the center of the pump's performance curve.

## SUCTION LIFT CURVES

### P820/P830 METAL SUCTION - LIFT CAPABILITY

Suction-lift curves are calibrated for pumps operating at 305 m (1,000') above sea level. This chart is meant to be a guide only. There are many variables that can affect your pump's operating characteristics. The number of intake and discharge elbows, viscosity of pumping fluid, elevation (atmospheric pressure) and pipe friction loss all affect the amount of suction lift your pump will attain.



## Section 6

# Suggested Installation, Operation, Maintenance and Troubleshooting

Wilden pumps are designed to meet the performance requirements of even the most demanding pumping applications. They have been designed and manufactured to the highest standards and are available in a variety of liquid path materials to meet your chemical resistance needs. Refer to "Performance " on page 9 for an in-depth analysis of the performance characteristics of your pump. Wilden offers the widest variety of elastomer options in the industry to satisfy temperature, chemical compatibility, abrasion resistance and flex concerns.

The suction pipe size should be at least equal to or larger than the diameter size of the suction inlet on your Wilden pump. The suction hose must be a non-collapsible, reinforced type because these pumps are capable of pulling a high vacuum. Discharge piping should also be equal to or larger than the diameter of the pump discharge, which will help reduce friction losses.



**CAUTION:** All fittings and connections must be airtight. Otherwise, pump suction capability will be reduced or lost.

Months of careful planning, study and selection efforts can result in unsatisfactory pump performance if installation details are left to chance. You can avoid premature failure and long-term dissatisfaction by exercising reasonable care throughout the installation process.

### Location

Noise, safety and other logistical factors usually dictate where equipment will be situated on the production floor. Multiple installations with conflicting requirements can result in congestion of utility areas, leaving few choices for additional pumps.

Within the framework of these and other existing conditions, locate every pump in such a way that the following six key factors are balanced against each other to maximum advantage:

- **Access:** First, the location should be accessible. If it's easy to reach the pump, maintenance personnel will be able to perform routine inspections and adjustments more easily. If major repairs become necessary, ease of access can play a key role in speeding the repair process and reducing total downtime.
- **Air Supply:** Every pump location should have an air line large enough to supply the volume of air necessary to achieve the desired pumping rate. For best results, the pumps should use a 5µ (micron) air filter, needle valve and regulator. The use of an air filter before the pump will ensure that the majority of any pipeline contaminants will be eliminated.
- **Solenoid Operation:** When operation is controlled by a solenoid valve in the air line, three-way valves should be used. This valve allows trapped air between the valve and the pump to bleed off, which improves pump performance. You can estimate pumping volume by counting the number of strokes per minute, and then multiplying that figure by the displacement per stroke.
- **Muffler:** Using the standard Wilden muffler, sound levels are reduced below OSHA specifications. You can use other mufflers to reduce sound levels farther, but they usually reduce pump performance.

- **Elevation:** Selecting a site that is well within the pump's dynamic lift capability will assure that loss-of-prime issues will be eliminated. In addition, pump efficiency can be adversely affected if proper attention is not given to site location.

- **Piping:** Final determination of the pump site should not be made until the piping challenges of each possible location have been evaluated. The impact of current and future installations should be considered ahead of time to make sure that inadvertent restrictions are not created for any remaining sites.

The best choice possible will be a site involving the shortest and straightest hook-up of suction and discharge piping. Unnecessary elbows, bends and fittings should be avoided. Pipe sizes should be selected to keep friction losses within practical limits. All piping should be supported independently of the pump. In addition, the piping should be aligned to avoid placing stress on the pump fittings.

Flexible hose can be installed to aid in absorbing the forces created by the natural reciprocating action of the pump. If the pump is to be bolted down to a solid location, a mounting pad placed between the pump and the foundation will assist in minimizing pump vibration. Flexible connections between the pump and rigid piping will also assist in minimizing pump vibration. If quick-closing valves are installed at any point in the discharge system, or if pulsation within a system becomes a problem, a surge suppressor (SD Equalizer) should be installed to protect the pump, piping and gauges from surges and water hammer.

If the pump is to be used in a self-priming application, make sure that all connections are airtight and that the suction lift is within the model's ability.



**NOTE:** Materials of construction and elastomer material have an effect on suction lift parameters. Please refer to "Performance " on page 9 for specifics.

When pumps are installed in applications involving flooded suction or suction head pressures, a gate valve should be installed in the suction line to permit closing of the line for pump service.

Pumps in service with a positive suction head are most efficient when inlet pressure is limited to 0.5–0.7 bar (7–10 psig). Premature diaphragm failure may occur if positive suction is 0.7 bar (10 psig) and higher.



**CAUTION:** All Wilden pumps are capable of passing solids. Use a strainer on the pump intake to ensure that the pump's rated solids capacity is not exceeded.

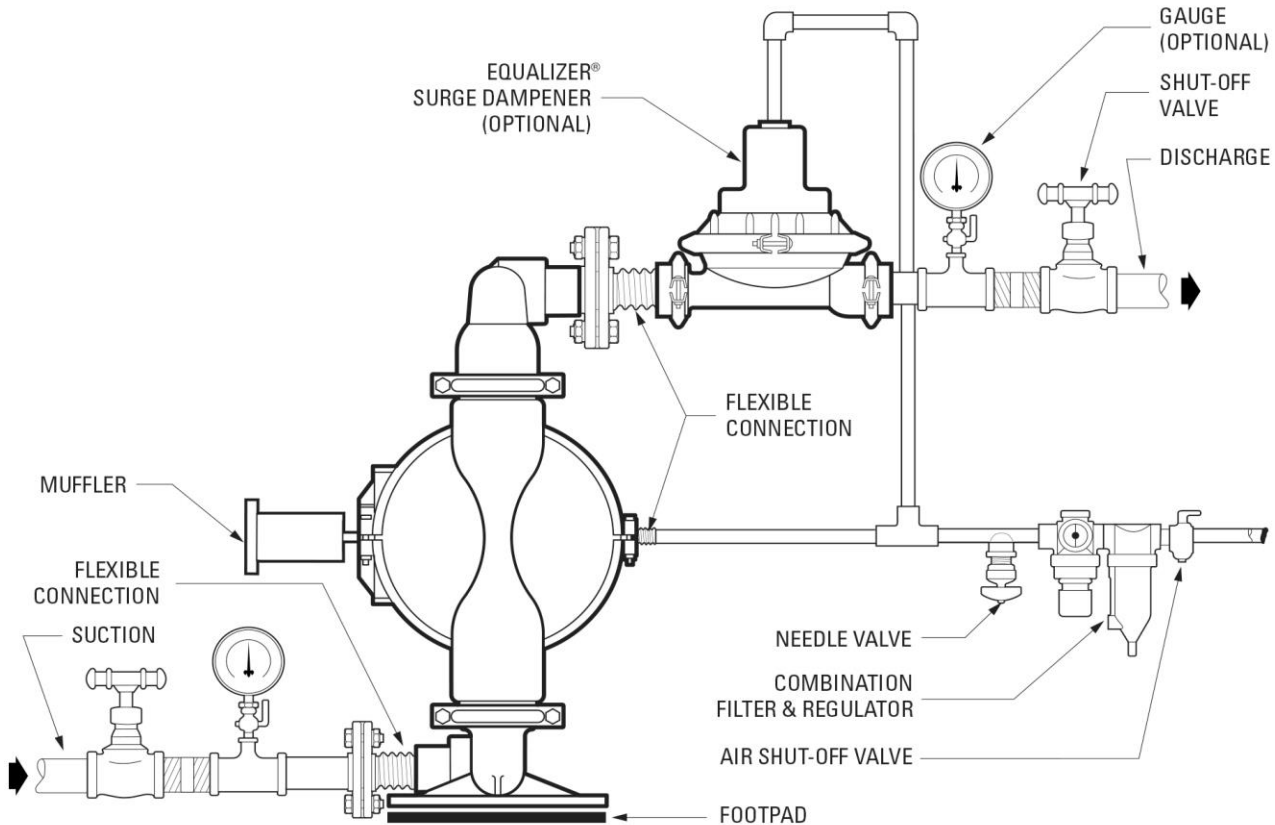


**CAUTION:** Do not exceed 8.6 bar (125 psig) air supply pressure.



**NOTE:** Pro-Flo® pumps are not submersible.

## Suggested Installation, Operation, Maintenance and Troubleshooting



**NOTE:** In the event of a power failure, close the shut-off valve if you do not want the pump to restart when the power returns.

**Air-Operated Pumps:** To stop the pump from operating in an emergency situation, simply close the shut-off valve (user-supplied) installed in the air supply line. A properly functioning valve will stop the air supply to the pump, therefore stopping output. This shut-off valve should be located far enough away from the pumping equipment such that it can be reached safely in an emergency situation.

### Operation

The Pro-Flo pumps are pre-lubricated and do not require in-line lubrication. Additional lubrication will not damage the pump. However, if the pump is heavily lubricated by an external source, the pump's internal lubrication may be washed away. If the pump is then moved to a nonlubricated location, it may need to be disassembled and re-lubricated as described in "Disassembly/ Reassembly" on page 15.

Pump discharge rate can be controlled by limiting the volume and/or pressure of the air supply to the pump. An air regulator is used to

regulate air pressure. A needle valve is used to regulate volume. Pump discharge rate also can be controlled by throttling the pump discharge by partially closing a valve in the discharge line of the pump. This action increases friction loss, which reduces flow rate. (See "Performance" on page 9.) This is useful when the need exists to control the pump from a remote location. When the pump discharge pressure equals or exceeds the air supply pressure, the pump will stop. No bypass or pressure relief valve is needed, and pump damage will not occur. The pump has reached a "deadhead" situation and can be restarted by reducing the fluid discharge pressure or increasing the air inlet pressure. Wilden Pro-Flo pumps run solely on compressed air and do not generate heat.

Therefore, your process fluid temperature will not be affected.

### Maintenance and Inspections

Because each application is unique, maintenance schedules may be different for every pump. Frequency of use, line pressure, viscosity and abrasiveness of process fluid all affect the parts life of a Wilden pump. Periodic inspections have been found to offer the best means for preventing unscheduled pump downtime. Personnel familiar with the pump's construction and service should be informed of any abnormalities that are detected during operation.

# Suggested Installation, Operation, Maintenance and Troubleshooting

## Troubleshooting

### ***Pump will not run or runs slowly.***

1. Remove plug from pilot spool exhaust.
2. Ensure that the air inlet pressure is at least 0.4 bar (5 psig) above startup pressure and that the differential pressure (the difference between air inlet and liquid discharge pressures) is not less than 0.7 bar (10 psig).
3. Check air inlet filter for debris (see "Suggested Installation, Operation, Maintenance and Troubleshooting" on page 12).
4. Check for extreme air leakage (blow by) that would indicate worn seals/bores in the air valve, pilot spool and main shaft.
5. Disassemble the pump and check for obstructions in the air passageways or objects that would obstruct the movement of internal parts.
6. Check for sticking ball check valves.
  - a. If material being pumped is not compatible with pump elastomers, swelling may occur. Replace ball check valves and seals with proper elastomers.
  - b. Also, as the check valve balls wear out, they become smaller and can become stuck in the seats. In this case, replace balls and seats.
7. Check for any broken inner piston that would cause the air valve spool to be unable to shift.

3. Check for sticking ball check valves.
  - a. If material being pumped is not compatible with pump elastomers, swelling may occur. Replace ball check valves and seals with proper elastomers.
  - b. Also, as the check valve balls wear out, they become smaller and can become stuck in the seats. In this case, replace balls and seats.

### ***Pump air valve freezes.***

1. Check for excessive moisture in the compressed air.
  - a. Either install a dryer or a hot air generator for compressed air.
  - b. Alternatively, you may use coalescing filter to remove the water from the compressed air in some applications.

### ***Air bubbles in pump discharge.***

1. Check for a ruptured diaphragm.
2. Check tightness of outer pistons (see Disassembly/Reassembly on page 15).
3. Check tightness of fasteners and integrity of O-rings and seals, especially at intake manifold.
4. Ensure pipe connections are airtight.

### ***Pump runs, but little or no product flows.***

1. Check for pump cavitation. Slow pump speed down to allow thick material to flow into liquid chambers.
2. Verify that vacuum required to lift liquid is not greater than the vapor pressure of the material being pumped (cavitation).

### ***Product comes out air exhaust.***

1. Check for a diaphragm rupture.
2. Check the tightness of the outer pistons to the shaft.

## Section 7

# Disassembly / Reassembly

## Pump Disassembly

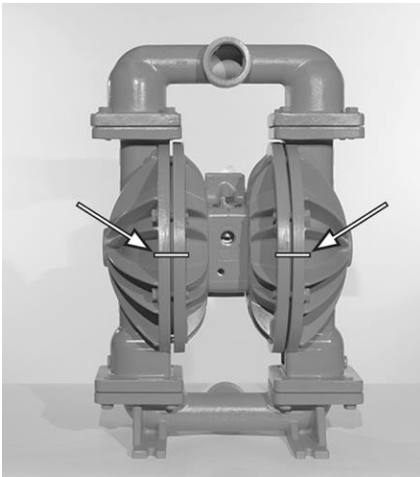
### Tools Required:

- 9/16" Socket Wrench
- 1" Socket Wrench (rubber)
- 23 mm Socket Wrench (PTFE)
- Snap-Ring Pliers
- Vise equipped w/soft jaws (such as plywood, plastic or other suitable material)

**⚠ CAUTION:** Before attempting any maintenance or repair, disconnect the compressed air line to the pump and allow all air pressure to bleed from the pump. Disconnect all intake, discharge, and air lines. Drain the pump by turning it upside down and allowing any fluid to flow into a suitable container. Be aware of any hazardous effects of contact with your process fluid.

**⚠ NOTE:** The model pictured in this section is an aluminum PX820 51 mm (2") pump. Your specific pump model may vary from the configuration shown. However, the pump disassembly procedure will be the same.

**⚠ NOTE:** Replace worn parts with genuine Wilden parts for reliable performance.



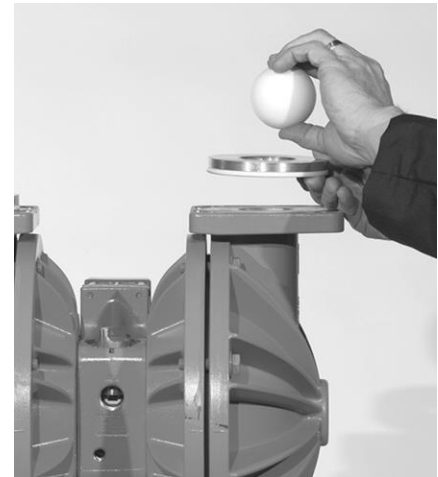
### Step 1

Before starting disassembly, mark a line from each liquid chamber to its corresponding air chamber. This line will assist in proper alignment during reassembly.



### Step 2

Lift the discharge manifold to expose the discharge valve balls and valve seats. Inspect the ball cage area of the manifold for excessive wear or damage.



### Step 3

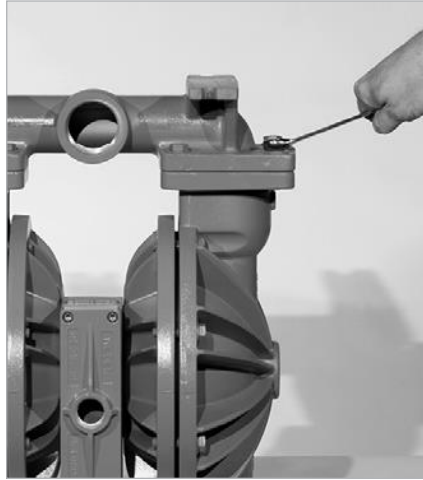
Remove the discharge valve balls and valve seats from the liquid chambers, and inspect for nicks, gouges, chemical attack or abrasive wear. Replace worn parts with genuine Wilden parts for reliable performance.

## Disassembly / Reassembly



### Step 4

Remove the discharge valve balls and valve seats from the liquid chambers and inspect for nicks, gouges, chemical attack or abrasive wear. Replace worn parts with genuine Wilden parts for reliable performance.



### Step 5

Using the appropriate-sized wrench, loosen the inlet manifold from the liquid chambers.

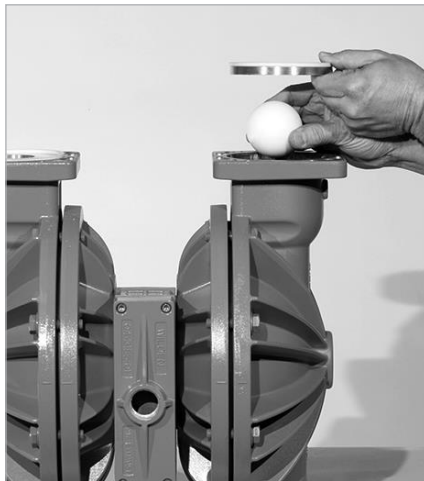


**NOTE:** Inverting the pump will facilitate removal of inlet manifold.



### Step 6

Remove the inlet manifold to expose the valve balls and valve seats.



### Step 7

Remove the inlet valve balls and valve seats from the inlet manifold and liquid chambers and inspect for nicks, gouges, chemical attack or abrasive wear.

**NOTE:** Replace worn parts with genuine Wilden parts for reliable performance.



### Step 8

Using the appropriate-sized wrench, remove the liquid chamber from the center section.



### Step 9

The liquid chamber should be removed to expose the diaphragm and outer piston using an adjustable wrench. Remove the diaphragm assembly from the center section. Repeat for opposite side.



## Disassembly / Reassembly



### Step 10

Inspect the diaphragm assembly for wear, damage or chemical attack. Replace any damaged components with genuine Wilden parts for reliable performance.



### Step 11

To remove diaphragm assembly from shaft, secure shaft with soft jaws (a vise fitted with plywood, plastic or other suitable material) to ensure shaft is not nicked, scratched or gouged. Using an adjustable wrench, remove diaphragm assembly from shaft.



### Step 12

Remove outer piston and stud if equipped. Inspect for wear and replace if necessary.

## Disassembly / Reassembly

### Air Valve Disassembly

**Tools Required:**

- 3/16" Hex-Head Wrench
- Snap-Ring Pliers
- O-Ring Pick



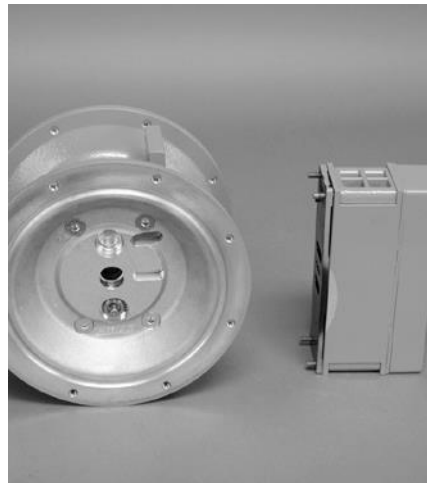
**CAUTION:** Before any maintenance or repair is attempted, the compressed air line to the pump should be disconnected and all air pressure allowed to bleed from the pump. Disconnect all intake, discharge and air lines. Drain the pump by turning it upside down and allowing any fluid to flow into a suitable container. Be aware of hazardous effects of contact with your process fluid.

The Wilden P820 and P830 metal pumps utilize a revolutionary Pro-Flo® air distribution system. Proprietary composite seals reduce the coefficient of friction and allow the pumps to run lube-free. The Pro-Flo® air distribution system is designed to perform in on/off, non-freezing, non-stalling, tough-duty applications.



**Step 1**

Using a 3/16" Hex wrench, loosen air valve bolts.



**Step 2**

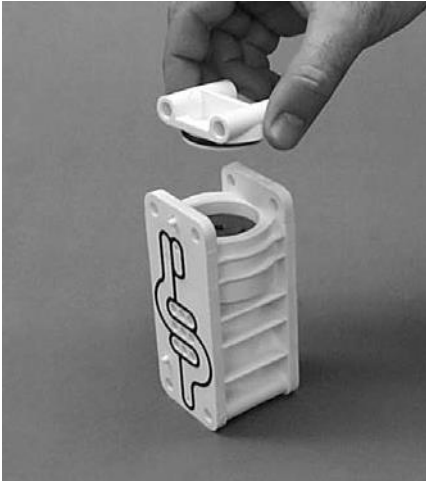
Remove muffer plate and air valve bolts from air valve assembly exposing muffer gasket for inspection. Replace if necessary.



**Step 3**

Lift away air valve assembly and remove air valve gasket for inspection. Replace if necessary.

## Disassembly / Reassembly



### Step 4

Remove air valve end cap to expose air valve spool by simply lifting up on end cap once air valve bolts are removed.

**⚠ NOTE:** Pro-Flo X™ air valve incorporates an end cap at both ends of the air valve.



### Step 5

Remove the air valve spool from the air valve body by threading one air valve bolt into the end of the air valve spool and gently sliding the spool out of the air valve body. Inspect seals for signs of wear and replace entire assembly if necessary. Use caution when handling air valve spool to prevent damaging seals.

**⚠ NOTE:** Seals should not be removed from assembly. Seals are not sold separately.



### Step 6

Remove pilot sleeve retaining snap ring on both sides of center section with snap ring pliers.



### Step 7

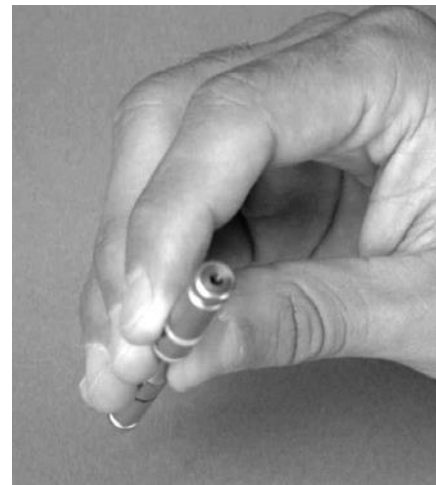
Remove pilot spool sleeve from center section.



### Step 8

Using an o-ring pick, gently remove the o-ring from the opposite side of the “notched end” on one side of the pilot spool. Gently remove the pilot spool from pilot spool sleeve and inspect for nick, gouges and wear. Replace pilot sleeve or outer sleeve o-rings if necessary. During re-assembly, never insert the pilot spool into the sleeve with the “notched end” first, this end incorporates the urethane o-ring and will be damaged as it slides over the ports cut in the sleeve.

**⚠ NOTE:** Seals should not be removed from pilot spool. Seals are not sold separately.



## Disassembly / Reassembly



### Step 9

Check center section seals for signs of wear. If necessary, remove seals with o-ring pick and replace.

# Disassembly / Reassembly

## Shaft Seal Installation

### Pre-Installation

After all of the old seals have been removed, the inside of the bushing should be cleaned to ensure no debris is left that may cause premature damage to the new seals.

### Installation

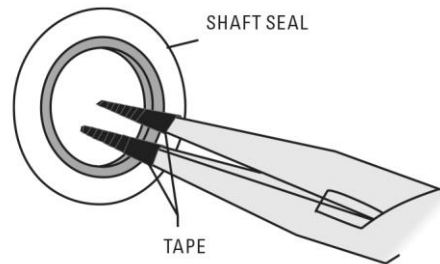
1. To prevent damaging the inside surface of the new seal, wrap electrical tape around each leg of the needle-nose pliers. (Heat shrink tubing may also be used.)
2. With a new seal in hand, place the two legs of the needle-nose pliers inside the seal ring. (See Figure A.)
3. Open the pliers as wide as the seal diameter will allow, then with two fingers pull down on the top portion of the seal to form a kidney bean shape. (See Figure B.)
4. Lightly clamp the pliers together to hold the seal into the kidney shape. Be sure to pull the seal into as tight of a kidney shape as possible. This will allow the seal to travel down the bushing bore with greater ease.
5. With the seal clamped in the pliers, insert the seal into the bushing bore and position the bottom of the seal into the correct groove. When the bottom of the seal is seated in the groove, release the clamp pressure on the pliers. This will allow the seal to partially snap back to its original shape.
6. After removing the pliers you will notice a slight bump in the seal shape. Before the seal can be resized properly, the bump in the seal should be removed as much as possible. This can be done with either a Phillips screwdriver or your finger. With the side of the screwdriver or your finger, apply light pressure to the peak of the bump. This pressure will cause the bump to be eliminated almost completely.
7. Lubricate the edge of the shaft with NLGI grade 2 white EP bearing grease.
8. Slowly insert the center shaft with a rotating motion. This will complete the resizing of the seal.
9. Repeat these steps for the remaining seals.

### Tools

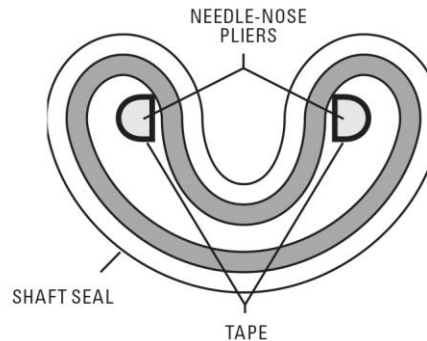
The following tools can be used to aid in the installation of the new seals:

- Needle-Nose Pliers
- Phillips Screwdriver
- Electrical Tape

**Figure A**



**Figure B**



## PRO-FLO® MAXIMUM TORQUE SPECIFICATIONS

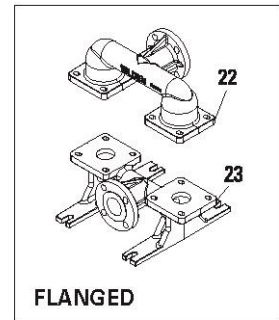
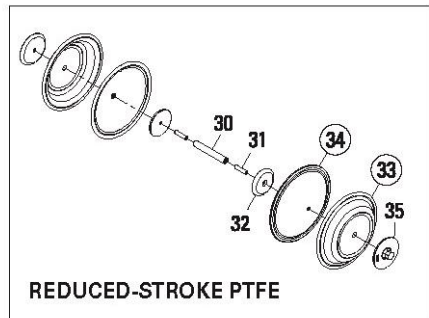
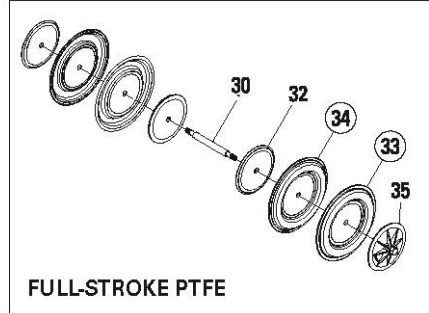
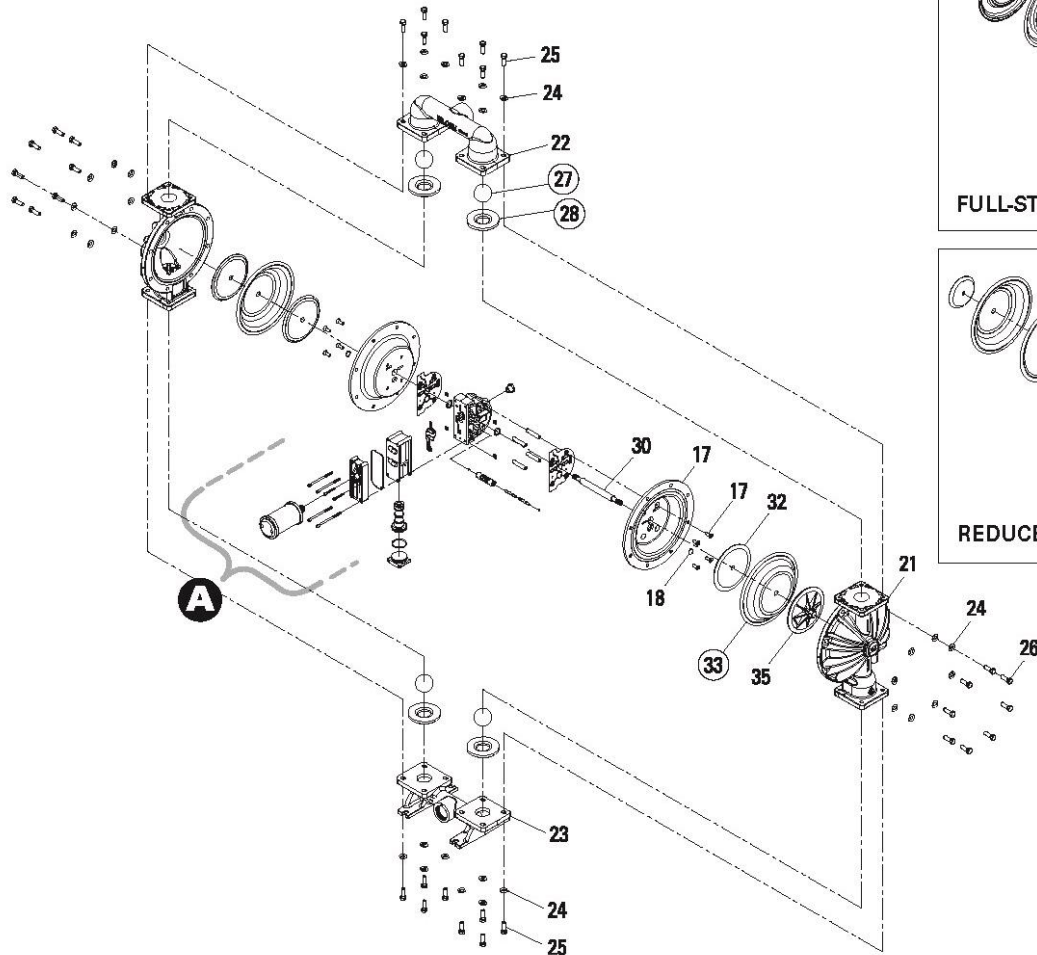
Description of Part	Torque
Air Valve	13.6 N•m (120 in-lb)
Air Chamber/Center Block	27.1 N•m (20 ft-lb)
Liquid Chamber/Air Chamber, Aluminum Bolted Only	27.1 N•m (20 ft-lb)
Liquid Chamber/Air Chamber, Stainless Steel Bolted Only	54.2 N•m (40 ft-lb)
Outer Pistons, Rubber & PTFE, Excluding Stainless-Steel Inner Pistons	109 N•m (80 ft-lb)
Outer Pistons, Rubber & PTFE, Stainless-Steel Inner Pistons	119 N•m (88 ft-lb)
Outer Pistons, Ultra-Flex™	74.6 N•m (55 ft-lb)

**Section 8**

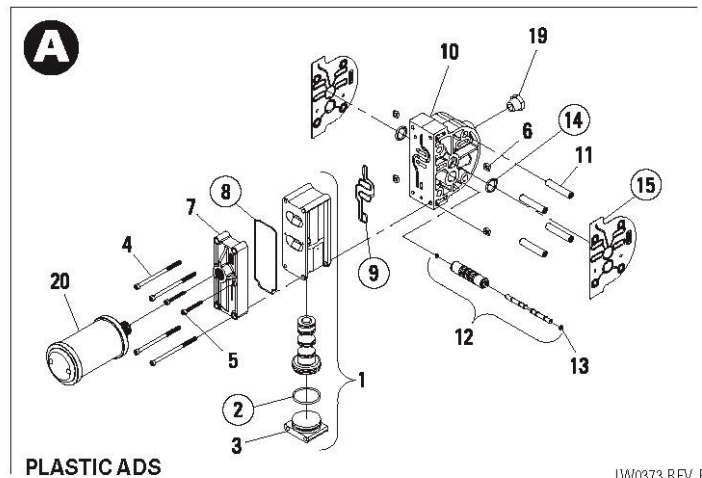
**EXPLODED VIEW AND PARTS LISTING**

**P820/830 METAL**

**EXPLODED VIEW**



ALL CIRCLED PART IDENTIFIERS ARE INCLUDED IN REPAIR KITS



ALL CIRCLED PART IDENTIFIERS ARE INCLUDED IN REPAIR KITS (see Section 9).

## Exploded View and Parts List

Item	Description	Qty.	P820/830/AAAPP/.../ P/N	P820/830/SSAPP/.../ P/N	P820/830/WWAPP/.../ P/N
<b>Air Distribution Components</b>					
1	<b>Air Valve Assembly, Pro-Flo®<sup>1</sup></b>	1	04-2000-20-700	04-2000-20-700	04-2000-20-700
2	<b>O-Ring, End Cap (-225, Ø1.859" x Ø.139")</b>	1	04-2390-52-700	04-2390-52-700	04-2390-52-700
3	End Cap, Pro-Flo®	1	04-2330-20-700	04-2330-20-700	04-2330-20-700
4	Screw, SHC, Air Valve (1/4"-20 x 4-1/2")	4	01-6000-03	01-6000-03	01-6000-03
5	Screw, Self Tapping, SHC (10-16 x 1-3/4")	2	04-6351-03	04-6351-03	04-6351-03
6	Nut, Square (1/4"-20)	4	00-6505-03	00-6505-03	00-6505-03
7	Muffler Plate, Pro-Flo®	1	04-3180-20-700	04-3180-20-700	04-3180-20-700
8	<b>Gasket, Muffler Plate, Pro-Flo®</b>	1	04-3500-52-700	04-3500-52-700	04-3500-52-700
9	<b>Gasket, Air Valve, Pro-Flo®</b>	1	04-2600-52-700	04-2600-52-700	04-2600-52-700
10	Center Block Assembly, Pro-Flo® <sup>2</sup>	1	04-3110-20	04-3110-20	04-3110-20
11	Sleeve, Threaded, Center Block	4	04-7710-08	04-7710-08	04-7710-08
12	<b>Pilot Sleeve Assembly</b>	1	04-3880-99	04-3880-99	04-3880-99
13	<b>O-Ring, Pilot Spool Retaining (-009, Ø.208" x Ø.070")</b>	2	04-2650-49-700	04-2650-49-700	04-2650-49-700
14	<b>Seal, Shaft</b>	2	08-3210-55-225	08-3210-55-225	08-3210-55-225
15	<b>Gasket, Center Block Pro-Flo®</b>	2	04-3526-56	04-3526-56	04-3526-56
16	Air Chamber, Advanced FIT Pro-Flo®	2	08-3687-01	08-3687-01	08-3687-01
17	Screw, HSFHS (3/8"-16 x 1")	8	71-6250-08	71-6250-08	71-6250-08
18	Retaining Ring	2	04-3890-03	04-3890-03	04-3890-03
19	Bushing, Reducer 3/4" MNPT to 1/2" FNPT	1	04-6950-20-700	04-6950-20-700	04-6950-20-700
20	Muffler 3/4" MNPT	1	08-3510-99R	08-3510-99R	08-3510-99R
<b>Wetted Path Components</b>					
21	Liquid Chamber, Bolted	2	08-5015-01	08-5015-03	08-5015-02
22	Manifold, Discharge (NPT)	1	08-5035-01	08-5035-03	08-5035-02
	Manifold, Discharge (BSPT)	1	08-5036-01	08-5036-03	08-5036-02
	Manifold, Discharge (ANSI)	1	08-5045-01	08-5045-03	08-5045-02
	Manifold, Discharge (DIN)	1	08-5046-01	08-5046-03	08-5046-02
23	Manifold, Inlet (NPT)	1	08-5095-01	08-5095-03	08-5095-02
	Manifold, Inlet (BSPT)	1	08-5096-01	08-5096-03	08-5096-02
	Manifold, Inlet (ANSI)	1	08-5125-01	08-5125-03	08-5125-02
	Manifold, Inlet (DIN)	1	08-5126-01	08-5126-03	08-5126-02
24	Washer, Flat (Ø.531" x Ø1.062" x .095")	32	04-6730-08	04-6730-03	04-6730-08
25	Screw, HHC (1/2"-13 x 1-3/4")	16	08-6190-08	N/A	08-6190-08
	Screw, HHC (1/2"-13 x 1-1/2")	16	N/A	04-6180-03	N/A
26	Screw, HHC (1/2"-13 x 2")	16	04-6210-08	04-6210-03	04-6210-08
<b>Gaskets/Valve Balls/Valve Seats/Valve O-Rings</b>					
27	<b>Ball, Valve</b>	4	*	*	*
28	<b>Seat, Valve</b>	4	*	*	*
29	<b>O-Ring, Valve Seat PTFE Fitted, (-347, Ø4.225 x Ø.210) (not shown)</b>	4	08-1209-55	08-1209-55	08-1209-55
<b>Full-Stroke Rubber/TPE/PTFE/Components</b>					
30	Shaft (Rubber)	1	08-3810-09	08-3810-09	08-3810-09
	Shaft (EZ TPE/PTFE)	1	08-3812-03	08-3812-03	08-3812-03
32	Piston, Inner	2	08-3700-01	08-3700-01	08-3700-01
33	<b>Diaphragm, Primary</b>	2	*	*	*
	<b>Diaphragm, Backup</b>	2	*	*	*
34	<b>Piston, Outer</b>	2	08-4550-01	08-4550-03	08-4550-02
35	Piston, Outer	2	08-4550-01	08-4550-03	08-4550-02
<b>Reduced-stroke PTFE components</b>					
30	Shaft, Pro-Flo® PTFE	1	08-3840-09	08-3840-09	08-3840-09
31	Shaft Stud, 1/2"-20 X 2-1/8"	2	08-6152-08	08-6152-08	08-6152-08
32	Piston, Inner, PTFE	2	08-3750-01	08-3750-01	08-3750-01
33	<b>Diaphragm, Primary PTFE</b>	2	08-1010-55-42	08-1010-55-42	08-1010-55-42
34	<b>Diaphragm, Backup</b>	2	*	*	*
35	Piston, Outer, PTFE	2	08-4600-01	08-4600-03	08-4600-03

LW0374 REV. D

\*Refer to Elastomer Chart

<sup>1</sup> Air Valve Assembly includes items 2 and 3.

<sup>2</sup> Plastic Center Block Assembly includes items 6, 11, 12, 14 and 19.

All boldface items are primary wear parts.

**Section 9**

**Elastomer Options**

Material	Diaphragms (2)	Reduced- Stroke Backup Diaphragms (2)	Full-Stroke Diaphragms (2)	Full-Stroke Backup Diaphragms (2)	EZ-Install Diaphragms (2)	Valve Balls (4)	Valve Seats (4)	Valve Seat O-Rings (4)
Polyurethane					08-1022-50	08-1080-50	08-1128-50	
Neoprene	08-1010-51	08-1060-51				08-1080-51	08-1128-51	
Buna-N®	08-1010-52					08-1080-52	08-1128-52	
Conductive Buna-N	08-1010-86							
Geolast					08-1022-15			
EPDM	08-1010-54	08-1060-54				08-1080-54	08-1128-54	
FKM	08-1010-53					08-1080-53	08-1128-53	
PTFE	08-1010-55-42		08-1040-55-42			08-1080-55		08-1209-55 <sup>1</sup>
Saniflex™		08-1060-56		08-1065-56	08-1022-56	08-1080-56	08-1128-56	
FDA Wil-Flex™				08-1065-57	08-1022-57	08-1080-57	08-1128-57	
Wil-Flex™					08-1022-58	08-1080-58	08-1128-58	
Aluminum							08-1129-01	
Mild Steel							08-1129-08	
Stainless Steel							08-1129-03	

<sup>1</sup> Used in conjunction with metallic valve seat.



**Notes**

**Notes**

**Notes**

PSG  
22069 Van Buren Street  
Grand Terrace, CA 92313-5651 USA  
P: +1 (909) 422-1730 • F: +1 (909) 783-3440  
psgdover.com



Where Innovation Flows

PSG<sup>®</sup> reserves the right to modify the information and illustrations contained in this document without prior notice. This is a non-contractual document. 05- 2018