

## GPS1520/GPS1530 CSA-CERTIFIED METAL PUMP

**76 mm (3") Pump**  
**Maximum Flow Rate:**  
**933 lpm (246 gpm)**

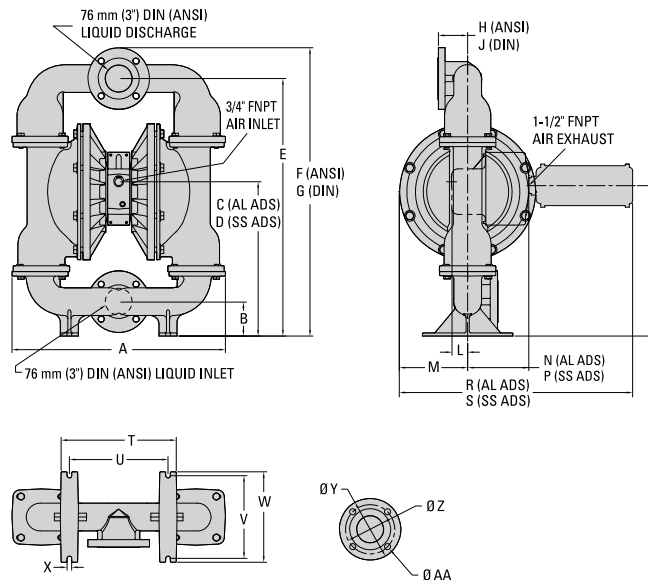
### DIMENSIONAL DRAWING

### PUMP DATA

**Specifications:**

Ship Weight.. 1520 Threaded AL 69 kg (152 lb)  
 1520 Threaded SS 126 kg (278 lb)  
 1530 Flanged 136 kg (300 lb)  
 Air Inlet ..... 19 mm (3/4")  
 Inlet..... 76 mm (3")  
 Outlet..... 76 mm (3")

### GPS1530 Stainless Steel



### DIMENSIONS

ITEM	METRIC (mm)	STANDARD (inch)
A	659	26.0
B	105	4.1
C	477	18.8
D	483	19.0
E	796	31.3
F	890	35.1
G	891	35.3
H	90	3.6
J	88	3.5
K	465	18.3
L	48	1.9
M	211	8.3
N	189	7.4
P	177	7.0
R	721	28.4
S	709	27.9
T	356	14.0
U	305	12.0
V	256	10.1
W	279	11.0
X	14	0.6
	DIN (mm)	ANSI (inch)
Y	200 DIA.	7.5 DIA.
Z	160 DIA.	6.0 DIA.
AA	18 DIA.	0.8 DIA.

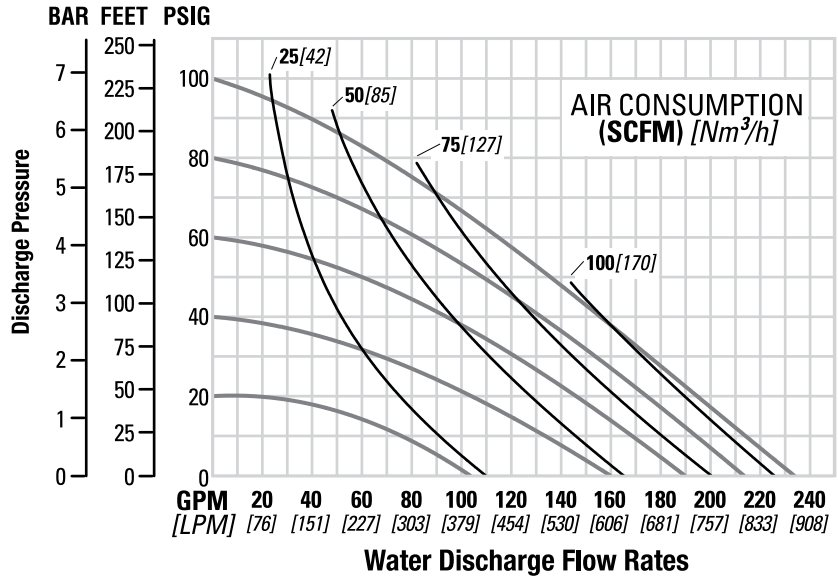
LW0260 REV. A

**GPS1520/GPS1530 CSA-CERTIFIED METAL PUMP**

**PERFORMANCE**

**GPS1520/GPS1530 METAL  
EZ-INSTALL TPE-FITTED**

Max. Flow Rate.....884 lpm (234 gpm)  
 Max. Inlet Pressure .....6.9 bar (100 psig)  
 Max. Size Solids..... 12.7 mm (1/2")  
 Suction Lift .....4.7 m Dry (15.3')  
   9.0 m Wet (29.5')



**GPS1520/GPS1530 METAL  
FULL-STROKE PTFE-FITTED**

Max. Flow Rate.....993 lpm (246 gpm)  
 Max. Inlet Pressure .....6.9 bar (100 psig)  
 Max. Size Solids..... 12.7 mm (1/2")  
 Max. Suction Lift .....5.9 m Dry (19.3')  
   8.6 m Wet (28.4')

