

## PX220/PX230 FIT METAL PUMP

**25 mm (1") Pump**  
**Maximum Flow Rate:**  
**212 lpm (56 gpm)**

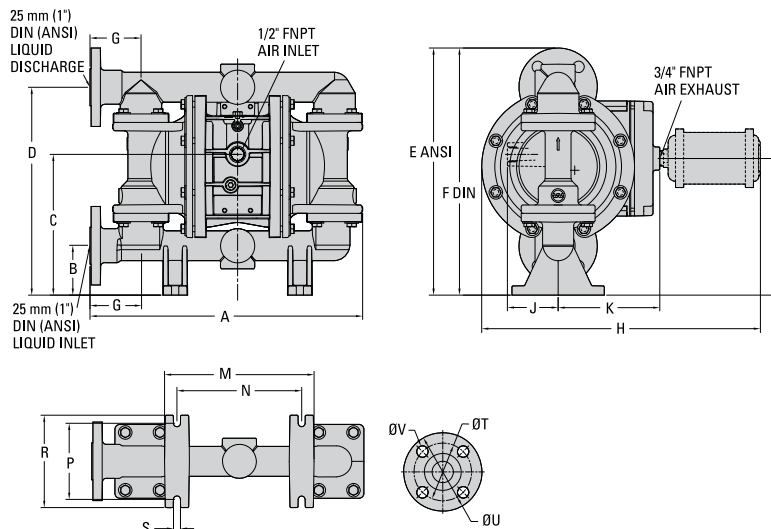
### DIMENSIONAL DRAWINGS

### PUMP DATA

**Specifications:**

- Ship Weight.....Aluminum 15 kg (34 lb)  
                                   Ductile Iron 26 kg (57 lb)  
                                   316 Stainless Steel 28 kg (61 lb)
- Air Inlet .....13 mm (1/2")
- Liquid Inlet.....25 mm (1")
- Liquid Outlet.....25 mm (1")

### PX230 Stainless Steel



### DIMENSIONS

ITEM	METRIC (mm)	STANDARD (inch)
A	373	14.7
B	69	2.7
C	195	7.6
D	287	11.3
E	340	13.4
F	343	13.5
G	71	2.8
H	384	15.1
J	71	2.8
K	140	5.5
L	188	7.4
M	206	8.1
N	173	6.8
P	104	4.1
R	127	5.0
S	10	0.4
DIN FLANGE		
T	85 DIA.	3.3 DIA.
U	115 DIA.	4.5 DIA.
V	14 DIA.	0.6 DIA.
ANSI FLANGE		
T	79 DIA.	3.1 DIA.
U	109 DIA.	4.3 DIA.
V	14 DIA.	0.6 DIA.

LW0450 REV. A

# SPEC SHEET



## PX220/PX230 FIT METAL PUMP

### PERFORMANCE

---

**WILDEN**<sup>®</sup>

22069 Van Buren Street  
Grand Terrace, CA 92313-5607 USA  
O: +1 (909) 422-1730 F: +1 (909) 783-3440  
[www.psgdover.com](http://www.psgdover.com)

