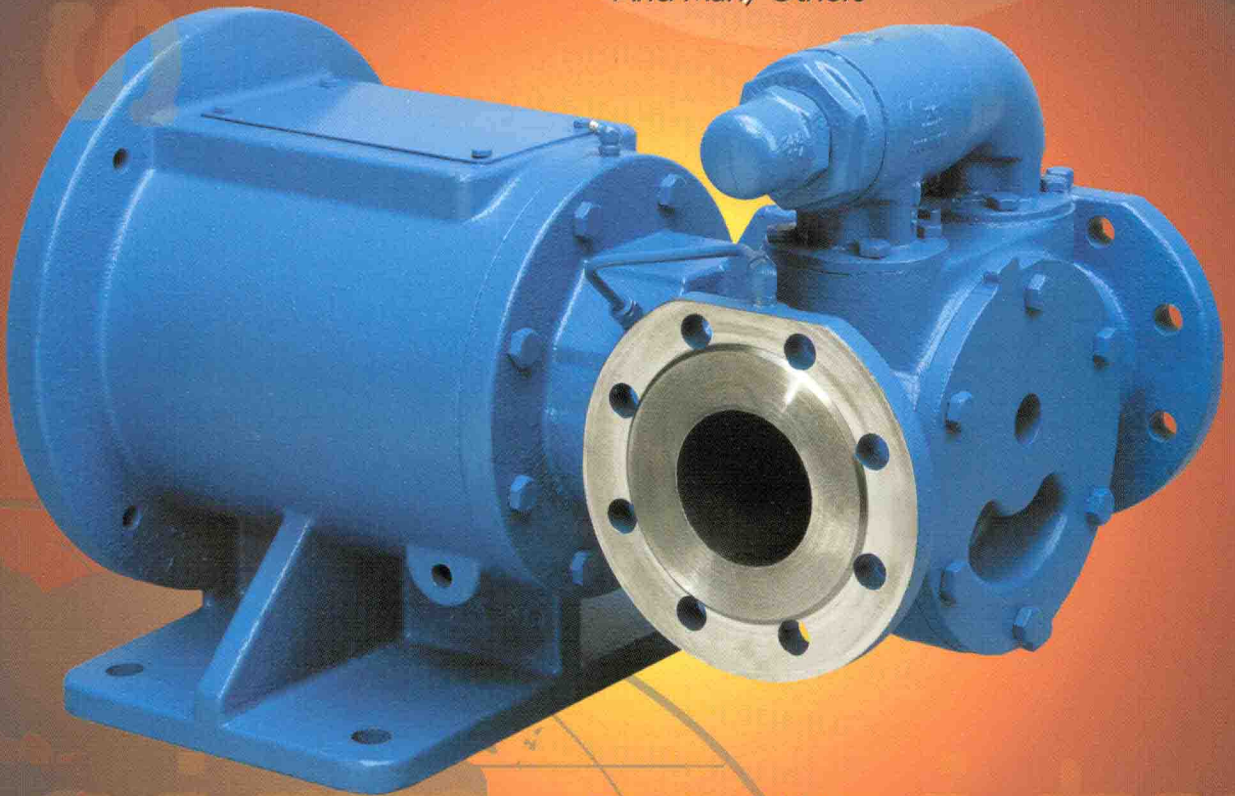


Metric Motor Speed Pumps

# VIKING

*Serving Applications For:*

- *Chemical Processors*
- *Grain Processors*
- *Rotating Equipment OEMs*
- *Petroleum Products*
- *And Many Others*



*Flows: to 45 M<sup>3</sup>/Hr*

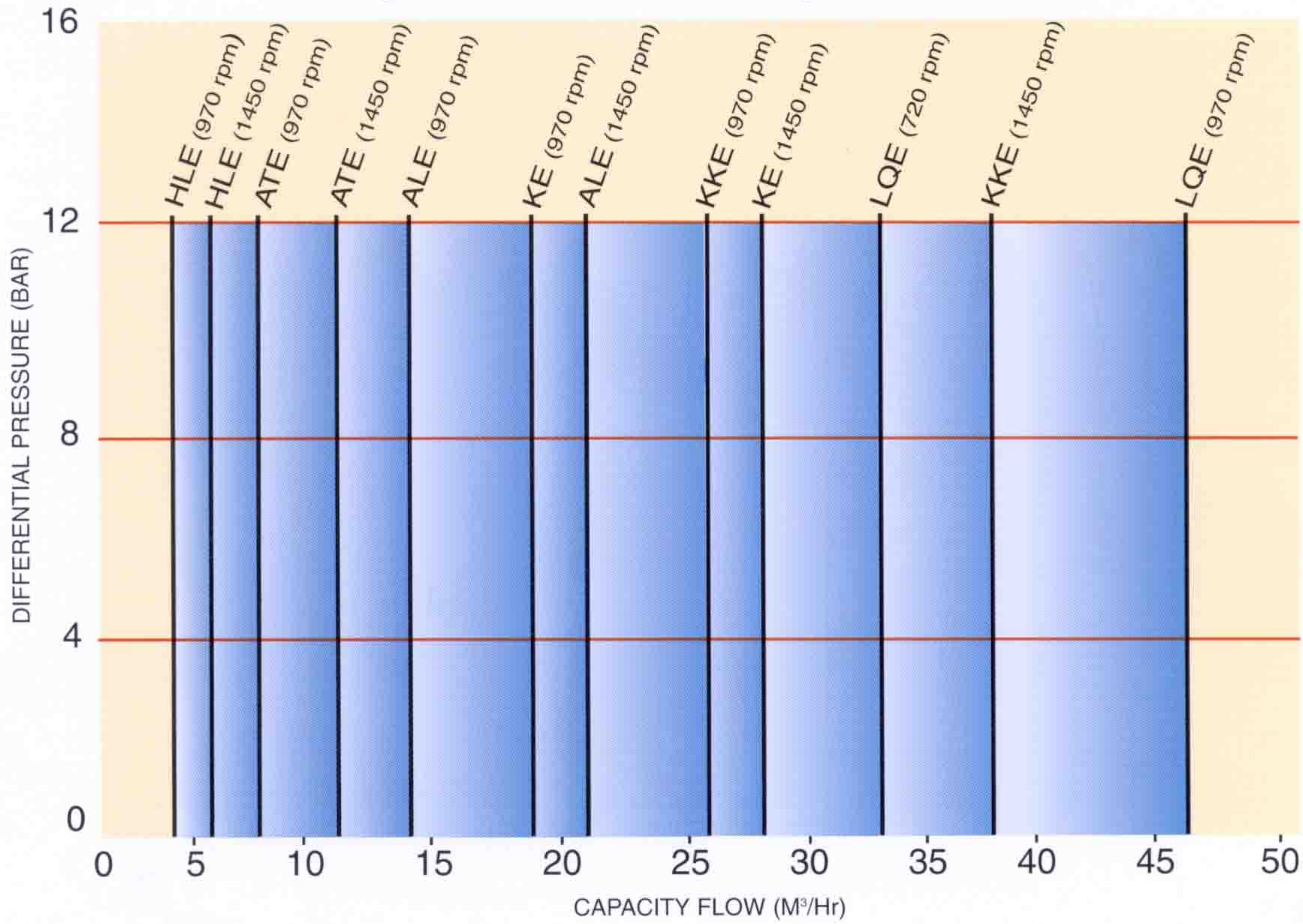
*Pressures: to 12 BAR*

*Viscosities: 0.5 to 22,000 cSt*

*Temperatures: to 150°C*

# An Optimized Design for High Performance

## Hydraulic Coverage-6 Sizes



## Typical Applications



Glycols  
Glycerins  
Polyols  
Styrenes

Chemical Processing



Corn Oil  
Soybean Oil  
Rape Seed Oil  
Fructose  
Glucose

Grain Processing



Solvents  
Oils  
Additives  
Fuels

Petroleum Products

# speed, simplicity, and

## *Designed Specifically For High-Speed Operation*

- The 4076/4176 Series is not a standard pump forced to high speeds. It is a new design developed for efficient motor speed operation.
- New concepts in idler and head designs deliver smooth, high-speed, hydraulic performance.
- The robust mechanical design provides traditional Viking reliability and maximum pump life.

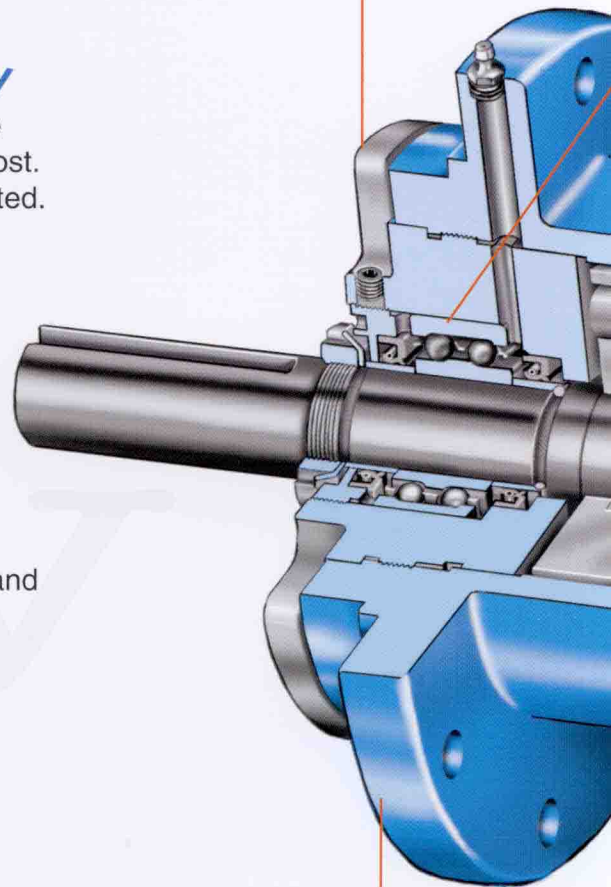
## *More Performance For Your Money*

- The 4076/4176 Series provides more performance from a smaller package at a lower total installed cost.
- Speed reducers, and their costs, are often eliminated.
- Viking's no-compromise design retains excellent NPSHr characteristics.
- High-speed operation without high noise levels.

## *Designed To Truly Fit Your Needs*

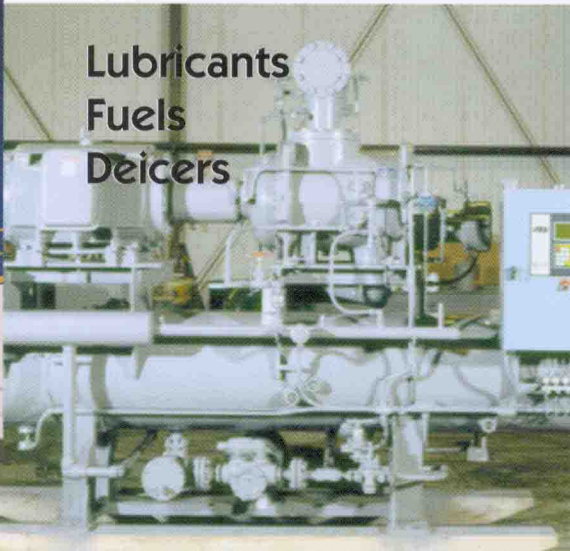
- Available in the exact pump you need, from 4.0 M<sup>3</sup>/Hr to 45.6 M<sup>3</sup>/Hr, to meet your conditions.
- The 4076/4176 Series accepts a variety of seals customized to your specific application.
- The 4076 Model mounts directly to an IEC motor and the foot mounted 4176 Model provides you with mounting flexibility.

**Adjustable Rotor Positioning**  
allows optimum end clearance  
and efficiency.



**Built For Your Specific Application**  
Can be direct mounted to an IEC motor or foot mounted. Other options include jacketed heads, relief valves, and a wide range of elastomers.

Lubricants  
Fuels  
Deicers

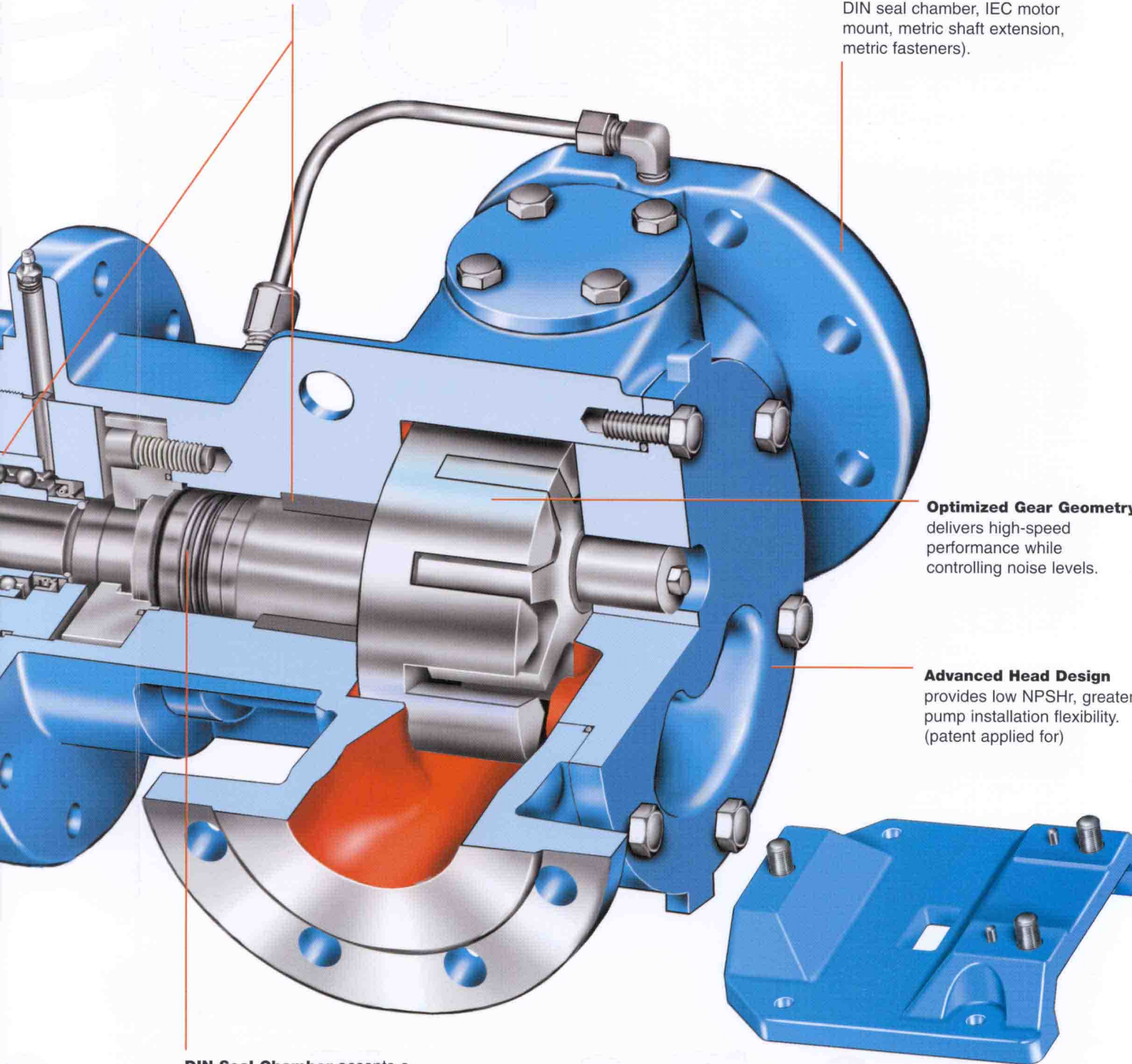


Rotating Equipment OEMs

# and Viking reliability

**A Large Shaft/Thrust Bearing System** with a large-diameter carbon graphite bushing minimizes shaft deflection extending rotor and seal life.

**Metric Design** (DIN flanges, DIN seal chamber, IEC motor mount, metric shaft extension, metric fasteners).



**Optimized Gear Geometry** delivers high-speed performance while controlling noise levels.

**Advanced Head Design** provides low NPSHr, greater pump installation flexibility. (patent applied for)

**DIN Seal Chamber** accepts a wide range of seal options.

**Optional Bolt-On Foot**

# A Pump Designed For Your Application

## SPECIFICATIONS

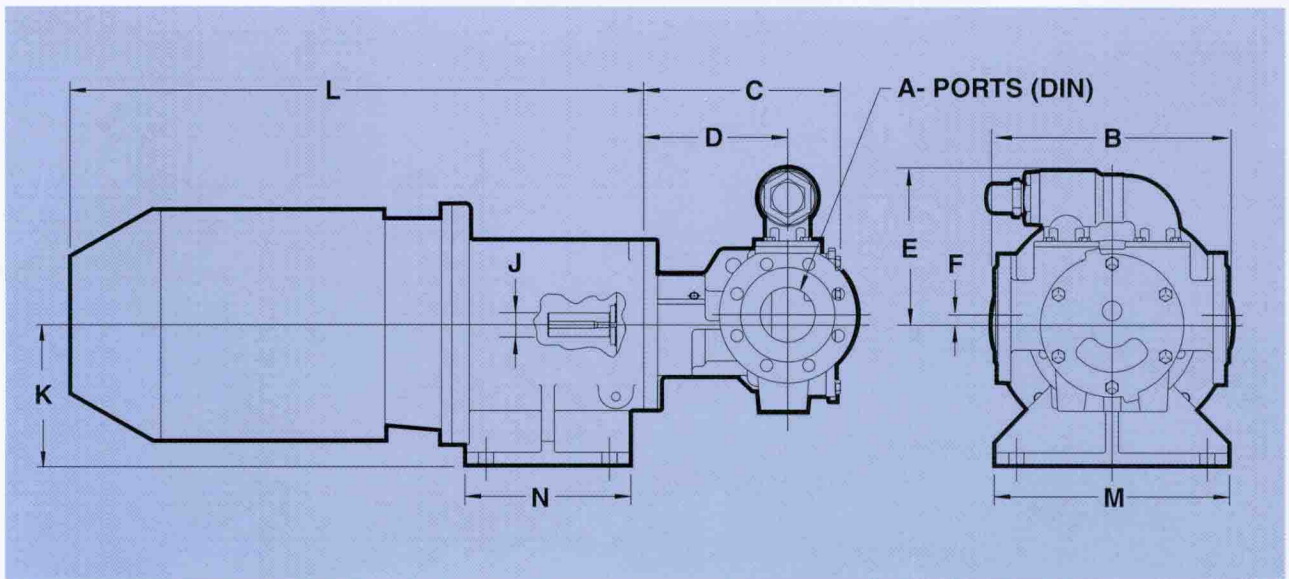
Size	Nominal Rating		Port Sizes	Maximum Inlet Pressure	Maximum Differential Pressure	Maximum Temp	NPSHr	Maximum Motor Speed	Sound Level
	Flow	Speed							
	M <sup>3</sup> /Hr	RPM	MM	BAR	BAR	°C	BAR <sup>(1)</sup>	RPM	dB(A) <sup>(2)</sup>
HLE	5.9	1450	40	25	12	150	0.30	1450	80
ATE	12.1	1450	65	25	12	150	0.35	1450	82
ALE	21.4	1450	65	25	12	150	0.40	1450	83
KE	28.8	1450	80	25	12	150	0.55	1450	85
KKE	38.4	1450	80	25	12	150	0.55	1450	85
LQE	45.6	970	100	25	12	150	0.55	970	85

NOTES: (1) NPSHr FOR LIQUIDS AT 165 cSt, AT RATED SPEED. (2) SOUND LEVEL AT RATED SPEED.

## CONSTRUCTION

Pump Construction	Casing	Head	Rotor	Idler	Rotor Shaft & Idler Pin	Bushings		Pressure Relief Valve	Motor Bracket
						Idler	Casing		
Ductile Iron	Ductile Iron	Ductile Iron	Cast Iron or Ductile Iron	Cast Iron or Ductile Iron	Hardened	Carbon Steel	Carbon Graphite	Ductile Iron Graphite	Cast Iron Externals

## DIMENSIONS



Model No.	A	B	C	D	E	F	J	PUMP WEIGHT
HLE4076	DIN 40	210	233	175	141	0	19	23
ATE4076	DIN 65	300	282	200	207	0	25	45
ALE4076	DIN 65	300	282	200	207	0	25	45
KE4076	DIN 80	340	307	210	228	15	35	65
KKE4076	DIN 80	340	307	210	228	15	35	65
LQE4076	DIN 100	370	320	235	253	0	35	86

HLE - ATE - ALE MOTOR BRACKET DIMENSIONS					
MOTOR FRAME	K	L	M	N	BRACKET WEIGHT
80	125	410	190	140	14
90	125	435	190	140	15
100L	145	496	190	169	18
112M	145	497	190	169	18
132S	140	585	190	180	18
132M	140	623	190	180	18
160M	165	740	190	224	23
160L	165	740	190	224	23

KE - KKE - LQE MOTOR BRACKET DIMENSIONS					
MOTOR FRAME	K	L	M	N	BRACKET WEIGHT
100L	170	540	229	202	45
112M	170	555	229	202	45
132S	180	615	255	222	50
132M	180	660	255	222	50
160M	205	755	344	242	60
160L	205	800	344	242	60
180M	205	875	344	242	60
180L	205	875	344	242	60

ALL DIMENSIONS ARE IN MILLIMETERS.  
ALL WEIGHTS ARE IN KILOGRAMS.

**Viking Pump,  
worldwide producers  
of internal gear,  
external gear, and lobe  
pump products.**

**For more information, contact your local distributor.**



**VIKING  
PUMP**

*An ISO-9001 and 14001 System-Certified Company*

**WORLD HEADQUARTERS**

VIKING PUMP, INC.  
A Unit of IDEX Corporation  
Cedar Falls, Iowa 50613-0008 U.S.A.  
Telephone: (319) 266-1741  
Fax: (319) 273-8157  
Web site: [www.vikingpump.com](http://www.vikingpump.com)



**IDEX**  
IDEX CORPORATION

**Canada**  
Viking Pump of Canada, Inc.  
Windsor, Ontario  
Phone: (519) 256-5438  
Fax: (519) 256-5070

**Latin America**  
Viking Pump (Latin America)  
D.F. Mexico C.F.  
Phone: +52 (5) 5255-1357  
Fax: +52 (5) 5255-1356

**Europe**  
Viking Pump (Europe) Ltd.  
Shannon, Ireland  
Phone: +353 (61) 471933  
Fax: +353 (61) 475046  
Web site: [www.vikingpumpeurope.co.uk](http://www.vikingpumpeurope.co.uk)

**Pacific Rim**  
Viking Pump, Inc.  
Singapore  
Phone: +65 764-2028  
Fax: +65 763-3130