

Butterfly Valves

SV1/SVS1F BUTTERFLY VALVES



PRODUCT SPECIFICATIONS

Materials:

Disc and Body:

- 1.4404 (DIN EN 10088) / AISI 316L body and disc
- 1.4301 (DIN EN 10088) / AISI 304 body,
1.4404 (DIN EN 10088) / AISI 316L disc

Seal:

- EPDM, HNBR, FPM, VMO
(all seal materials FDA compliant)

Finish:

- $\leq 1,6 \mu\text{m}$ metallic bright - standard finish
- Other finishes available upon request
- $\leq 0,8 \mu\text{m}$ disc - standard finish
- Inner surface $\leq 0,8 \mu\text{m}$ upon request

Sizes:

SV1

- 1" - 4" O.D. Tube
- DN25-150

SVS1F

- 1" - 4" O.D. Tube
- DN25-250

Pressure Ratings:

Operating Pressure: Maximum line and control air pressure 10 bar

Temperature Ratings:

- EPDM, HNBR: 135 °C - short-term: 140 °C
- VMO, FPM: 135 °C - not suited for hot water and steam
- Option: FPM steam-resistant

Connections

SV1

- Threaded and cone port to DIN 11851
- Threaded port RJT, ISS/IDF, SMS
- Clamp connection to 32676 (DN 25 - 100)
- Clamp connection to ISO 2852 (Inch 1" - 4")

SVS1F

- Standard APV FG1 plain flanges (with weld ends) = scope of supply

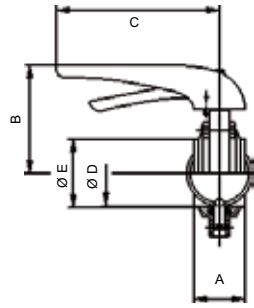
PRODUCT FEATURES AND BENEFITS

- Smooth product passages and special seals ensure thorough cleaning.
- Metallic stop protects the valve flanges against overtightening and the valve seal against mechanical overstress, improving seal lifetime.
- One actuator covers all diameters from DN25/1" to DN100/4".
- Slide bearings on the pivots of the discs increase operating reliability.
- Visual indication of open/closed position.
- SVS1F intermediate flange design allows simple removal and easy access of valves installed in long or fixed pipelines.
- ATEX compliant models.



DIMENSIONS

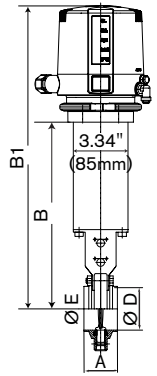
APV SV1 VALVES



SV1 Butterfly valve with handle

DN	A	B	C	Ø D (ID)	Ø E (OD)
25	52	88	165	26	29
40	52	96,5	165	38	41
50	52	101,5	165	50	53
65	52,4	110	165	66	70
80	52,4	117,5	165	81	85
100	52,4	127,5	165	100	104
INCH	A	B	C	Ø D (ID)	Ø E (OD)
1"	52	88	165	22.6	25
1,5"	52	96,5	165	34.8	38
2"	52	101,5	165	47.8	51
2,5"	52,4	110	165	60.3	63.3
3"	52,4	113,5	165	72.9	76.1
4"	52,4	127,5	165	97.6	101.6

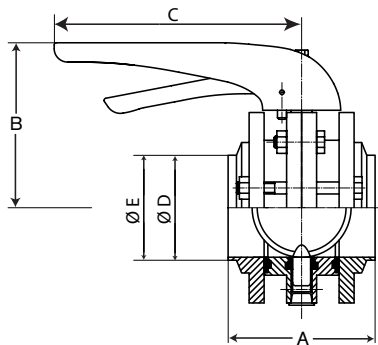
APV SV1 VALVES



SV1 Butterfly valve with turning actuator and control unit

DN	A	B	B1	Ø D (ID)	Ø E (OD)
25	52	271.5	451.5	26	29
40	52	280	460	38	41
50	52	285	465	50	53
65	52.4	293.5	473.5	66	70
80	52.4	301	481	81	85
100	52.4	311	491	100	104
INCH	A	B	B1	Ø D (ID)	Ø E (OD)
1"	52	271.5	451.5	22.6	25
1,5"	52	280	460	34.8	38
2"	52	285	465	47.8	51
2,5"	52,4	293.5	473.5	60.3	63.5
3"	52,4	297	477	72.9	76.1
4"	52,4	311	491	97.6	101.6

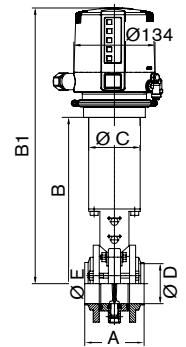
APV SVS1F VALVES



SVS1F Butterfly valve with handle

DN	A	B	C	Ø D (ID)	Ø E (OD)
25	98	88	165	26	29
40	98	96.5	165	38	41
50	98	101.5	165	50	53
65	98	110	165	66	70
80	98	117.5	165	81	85
100	98	127.5	165	100	104
125	108	130	280	125	129
150	108	130	280	150	154
200	107	184	310	200	204
250	107	184	310	250	254
INCH	A	B	C	Ø D (ID)	Ø E (OD)
1"	98	88	165	22.6	25
1,5"	98	96.5	165	34.8	38
2"	98	101.5	165	47.8	51
2,5"	98	110	165	60.3	63.3
3"	98	117.5	165	72.9	76.1
4"	98	127.5	165	97.6	101.6

APV SVS1F VALVES



SVS1F Butterfly valve with standard turning actuator or turning actuator and control unit

DN	A	B	B1	Ø C	Ø D (ID)	Ø E (OD)
25	98	271.5	451.5	85	26	29
40	98	280	460	85	38	41
50	98	285	465	85	50	53
65	98	293.5	473.5	85	66	70
80	98	301	481	85	81	85
100	98	311	491	85	100	104
125	108	491	637	130	125	129
150	108	505	652	130	150	154
200	107	573	718	184	200	204
250	107	602	746	184	250	254
INCH	A	B	B1	Ø C	Ø D (ID)	Ø E (OD)
1"	98	271.5	451.5	85	22.6	25
1,5"	98	280	460	85	34.8	38
2"	98	285	465	85	47.8	51
2,5"	98	293.5	473.5	85	60.3	63.5
3"	98	297	477	85	72.9	76.1
4"	98	311	491	85	97.6	101.6

OPTIONS AND ACCESSORIES:

APV Control Units

- APV DELTA CU Direct Connect (hard wire)
- APV DELTA CU AS-interface 31 or 62 slaves
- APV DELTA CU Profibus and DeviceNet

Position Indication

- 2 internal feedback sensor switches for valve open/valve closed position detection

Solenoid Valves

- 1 Solenoid

Features

- IP67
- NEMA 6

Proximity Switch

- Available with manual handle or pneumatic actuators
- Feedback for valve open/valve closed position



Design with electro-pneumatic control

- Flow control
- For butterfly valve sizes DN25 / 1" – DN100 / 4"
- Bürkert positioner TC 8692
- Control signal 4 – 20 mA
- LCD display and simple set-up
- Optional DeviceNet, Profibus or AS-i communication



Typical product applications

Food & Beverage

- Dairy
- Beverage
- Brewery
- CIP plant applications
- Personal Care



Industrial

- Chemical



ATEX applications

- II -/2GD IIB TX



SPX Flow Technology, Zechenstrasse 49, D-59425 Unna, Germany

P: +49 (0) 23 03/ 108-0 F: +49 (0) 23 03 / 108-210

SPX reserves the right to incorporate our latest design and material changes without notice or obligation.

Design features, materials of construction and dimensional data, as described in this bulletin, are provided for your information only and should not be relied upon unless confirmed in writing. Please contact your local sales representative for product availability in your region. For more information visit www.spx.com.

The green ">" is a trademark of SPX Corporation, Inc..

APV-8001-GB Version: 03/2015 Issued: 07/2015

COPYRIGHT © 2004, 2015 SPX Corporation