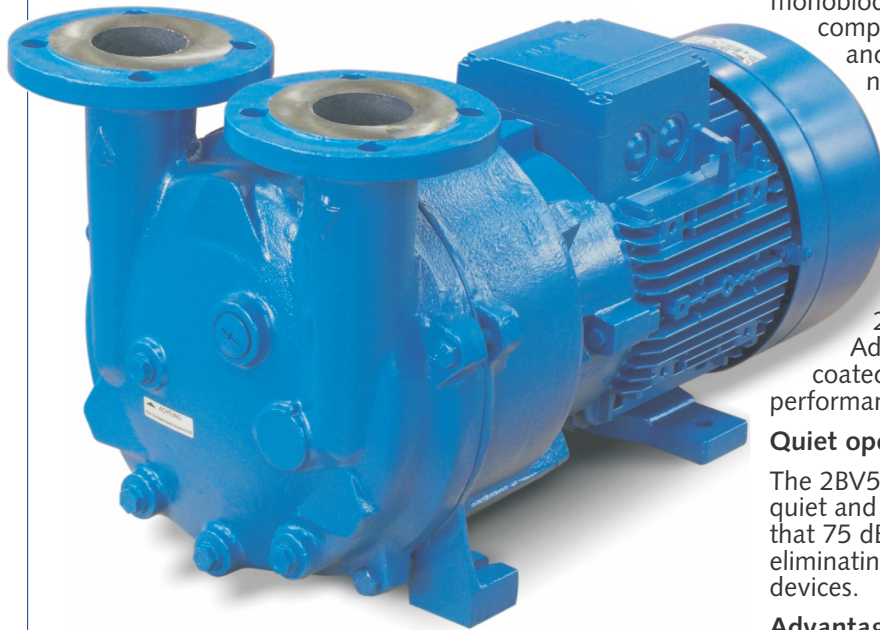


# 2BV5 Liquid Ring Vacuum Pumps



### High capacity monoblock pumps

Available in both cast iron and stainless steel construction, the 2BV5 family provides capacities up to the 600 m<sup>3</sup>/h (360 CFM) in a compact monoblock design.

### Space-saving installation

When compared to conventional pumps, the 2BV5's monoblock design delivers the benefits of a simple, compact and economical installation. Since the pump and motor are integral and self supporting, there is no need for additional baseplates, couplings or guards, which add to the cost, complexity and overall size of the installation.

### Rugged and reliable

We focused on durability and dependability when we developed these liquid-ring pumps. With a reinforced stainless steel shaft and sealed bearings, the 2BV5 can provide up to 20,000 hours of maintenance-free operation. Additional features such as the iron pump's ceramic coated casing prevent wear and ensure constant performance, even under harsh conditions.

### Quiet operation

The 2BV5 is expertly designed and manufactured to be quiet and vibration free. With sound pressure levels of less than 75 dBA, it complies with the strictest noise standards, eliminating the need for additional sound attenuating devices.

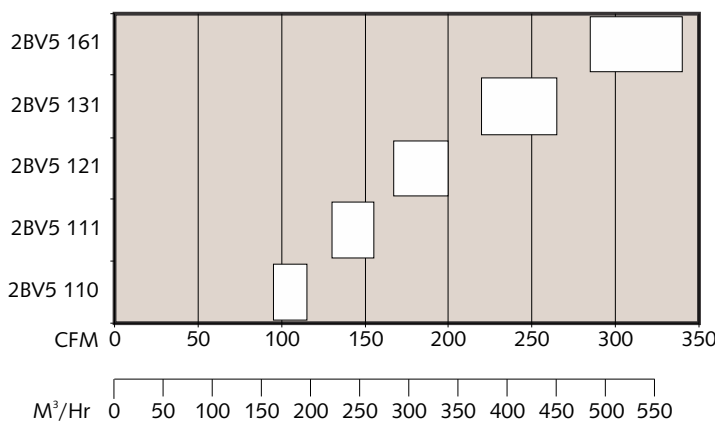
### Advantages at a glance

- Compact
- Rugged design for reliable operation and long service life
- Precision-balanced rotor
- For worldwide use with 50/60 Hz motors, UL and CSA certified
- Available from stock
- Low installation costs
- Easy to service
- Standard mechanical seal
- Reinforced stainless-steel shaft in the pump body
- Design conforms to ATEX 94/9 EC

### Main applications

- Plastics industry
- Chemical industry
- Medical technology
- Food and beverage industry
- General industry

### Performance

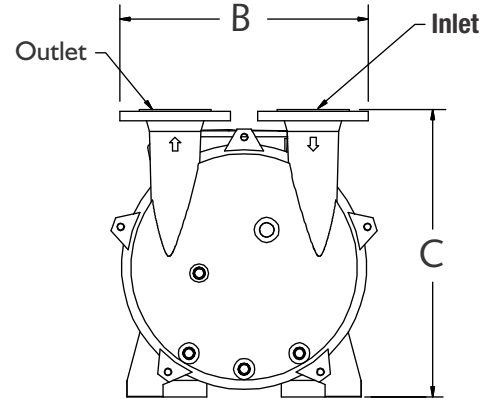
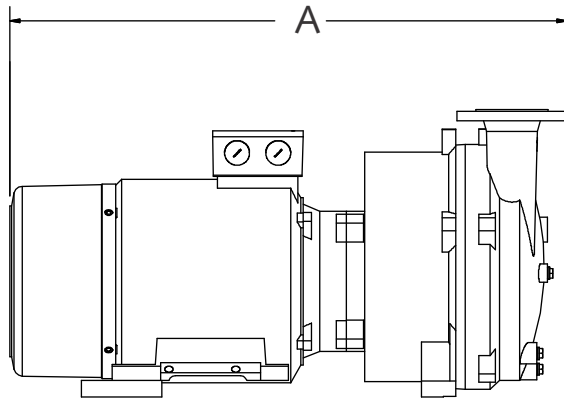


NASH - Division of Gardner Denver

phone: +1 800 553 NASH · +1 724 239 1500 · fax: +1 724 239 1503 · email: nash@gardnerdenver.com

GDNash.com

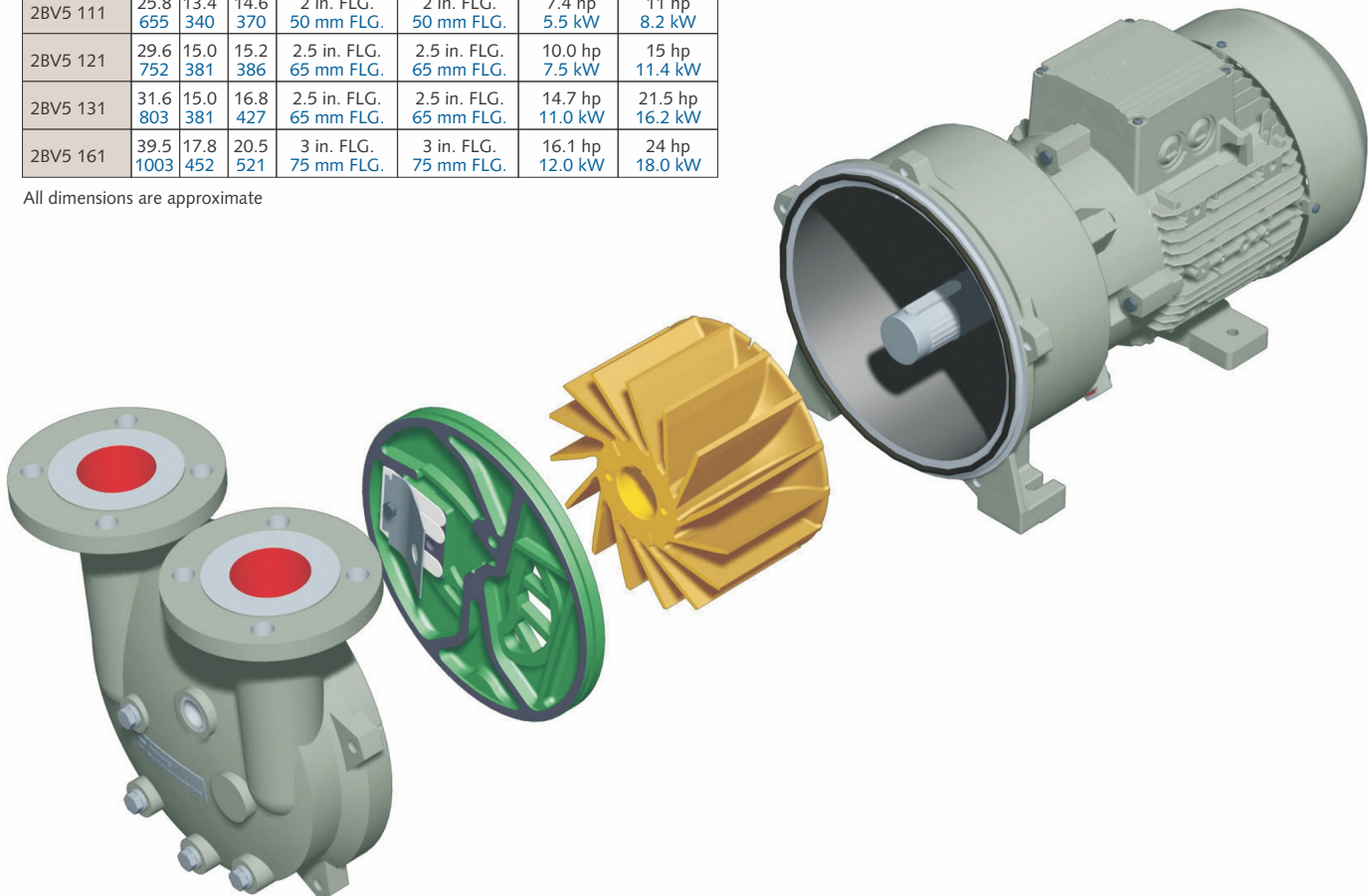
# 2BV5 Liquid Ring Vacuum Pumps



## Dimensions mm in blue

Pump	A	B	C	Inlet	Outlet	Motor Output 50Hz	Motor Output 60Hz
2BV5 110	25.3 643	13.4 340	14.3 363	2 in. FLG. 50 mm FLG.	2 in. FLG. 50 mm	5.4 hp 4.0 kW	8.3 hp 6.2 kW
2BV5 111	25.8 655	13.4 340	14.6 370	2 in. FLG. 50 mm FLG.	2 in. FLG. 50 mm FLG.	7.4 hp 5.5 kW	11 hp 8.2 kW
2BV5 121	29.6 752	15.0 381	15.2 386	2.5 in. FLG. 65 mm FLG.	2.5 in. FLG. 65 mm FLG.	10.0 hp 7.5 kW	15 hp 11.4 kW
2BV5 131	31.6 803	15.0 381	16.8 427	2.5 in. FLG. 65 mm FLG.	2.5 in. FLG. 65 mm FLG.	14.7 hp 11.0 kW	21.5 hp 16.2 kW
2BV5 161	39.5 1003	17.8 452	20.5 521	3 in. FLG. 75 mm FLG.	3 in. FLG. 75 mm FLG.	16.1 hp 12.0 kW	24 hp 18.0 kW

All dimensions are approximate



NASH - Division of Gardner Denver

phone: +1 800 553 NASH · +1 724 239 1500 · fax: +1 724 239 1503 · email: nash@gardnerdenver.com

GDNash.com