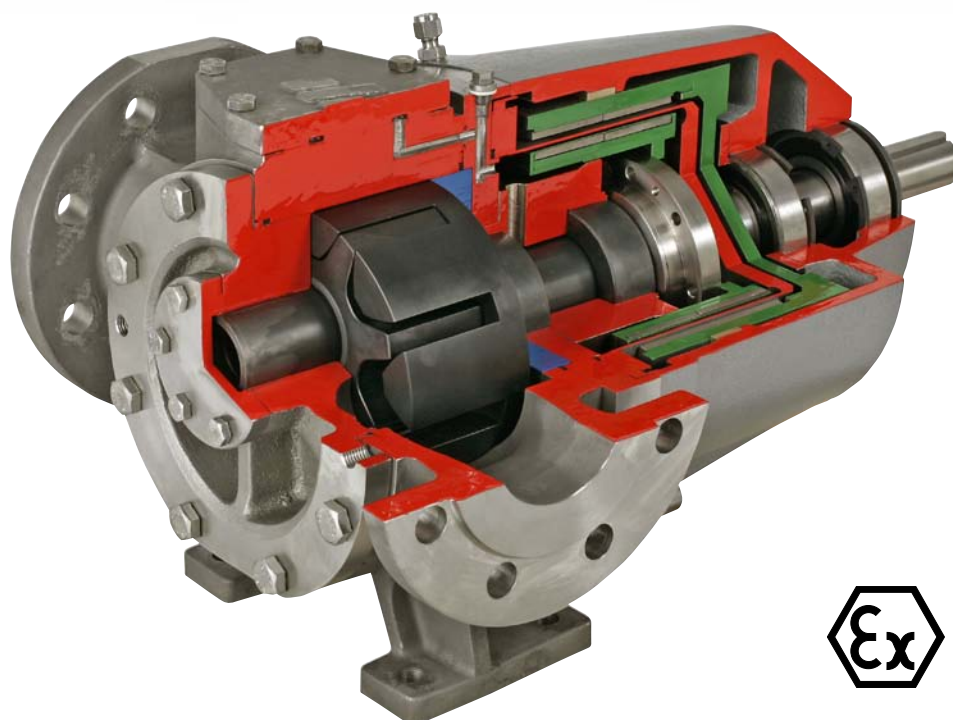


TopGear MAG

SEAL-LESS INTERNAL GEAR PUMPS



TopGear MAG is a range of leak-proof internal gear pumps for low and high viscous liquids which are corrosive, toxic, aggressive or expensive.

Total containment of the liquid inside the pump is achieved using a hermetically sealed can, which isolates the liquid from the surrounding environment. This eliminates the need for shaft seals and the associated wear and leakage that would normally be experienced. The Magnetic Drive pumps are therefore not only environmentally friendly – they also contribute to improved safety in chemical and process plant environments.

Complying amongst others with the “ATEX” (ATmospheres EXplosibles) directive, magnetic drive pumps make an important contribution to health and safety on process plants.

Based in Charlotte, North Carolina, SPX Corporation (NYSE: SPW) is a global Fortune 500 multi-industry manufacturing leader. For more information, please visit www.spx.com

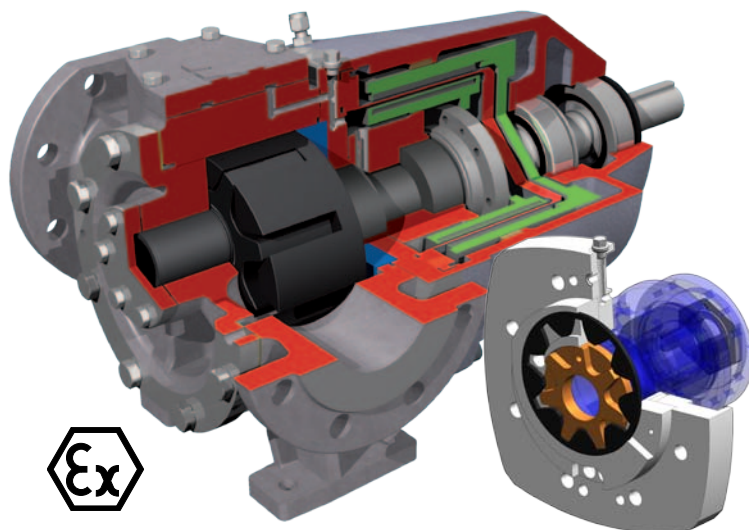
TopGear MAG Protecting your future

MAG DRIVE - HERMETIC CLOSED PUMP SYSTEM

Ensures clean, safe and leak-free operating environment. Zero leakage of corrosive, toxic, chemical, expensive or vulnerable liquids.

UNIQUE SOLUTION FOR FORCED CIRCULATION AND COOLING

Patent pending for integrated circulation pump in intermediate cover – guaranteed cooling and lubrication of magnetic coupling and bearings independent of operation pressure and liquid viscosity. Safeguard durable operation for low and high viscous liquids.



LARGE GAP BETWEEN INNER MAGNET AND CAN

Minimizes friction losses when pumping high viscous media giving low heat generation and long durable operation.

WET BEARINGS OF SPECIAL SIC

Can handle low viscous media and is extremely wear resistant.

HERMETIC CAN MATERIAL OF HASTELLOY C4 BETWEEN THE MAGNETS

Highly chemically resistant and reduces the eddy current losses while increasing efficiency and minimizing temperature. Safeguards durable operation and long life time.

SAFETY SYSTEM FOR BEARING FAILURES

Prevents both outer magnetic as inner magnetic rotor from running against the can in case of bearing failure. No risk for leakage and contamination.

MONITORING OPTIONS

Possible to install sensors to monitor temperature, pressure and vibrations for preventive maintenance actions.

HEATING JACKETS AND SAFETY RELIEF VALVES

Heating and cooling jacket options to safeguard pump in start up and shut down process. Steam or thermal oil options available.

Built on safety relief valves to protect pump and other equipment from over pressure.

Heating jackets and relief valves can be combined.

BACK AND FRONT PULL OUT

Easy access for inspection and maintenance while pump casing remains installed in the pipe system.

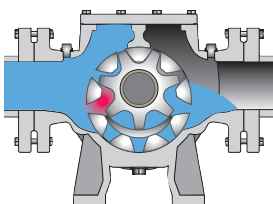
INTERCHANGEABILITY

Complete dimensional interchangeability with TopGear GM and H pumps.

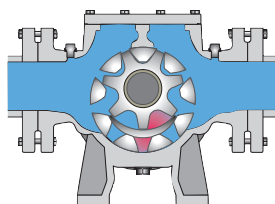
PUMP SPECIFICATION	
MAX CAPACITY	80 M ³ /H
MAX DIFF. PRESSURE	16 BAR
MAX TEMPERATURE	260 °C

MATERIALS	
PUMP HOUSE	CAST IRON OR STAINLESS STEEL
CONTAINMENT CAN	HASTELLOY C4
BEARING OPTIONS	SILICON CARBIDE OR CARBON
MAGNETS	SMCO (STANDARD) FOR GOOD CORROSION RESISTANCE AND HIGH TEMPERATURE POSSIBILITY MAX 260° C. NDFEB (OPTIONAL) FOR HIGH TORQUE APPLICATIONS - BUT AT LIMITED TEMPERATURE MAX 120° C.
OTHER OPTIONS	HEATING JACKETS, RELIEF VALVES, TEMPERATURE PROBE PT100, ATEX CERTIFICATION, PUMP UNITS

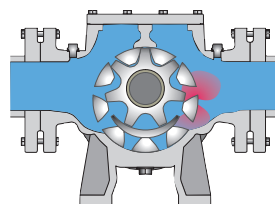
OPERATING PRINCIPLE



As the rotor and idler unmesh, an under-pressure is created and the liquid enters the newly created cavities.



Liquid is transported in sealed pockets to the discharge side. The walls of the pump casing and the crescent create a seal, that separates suction from discharge side.



The rotor and idler mesh and liquid is pushed into the discharge line.

GENERAL PERFORMANCE

PUMP SIZE TG MAG	PORT DIAMETER (MM)	MAX FLOW (M ³ /H)	MAX PRESSURE (BAR)	MAX SPEED (RPM)
15-50	50	13	16	1500
23-65	65	20	16	1500
58-80	80	35	16	1050
86-100	100	50	16	960
185-125	125	80	16	750

Typical product applications

TopGear MAG is the perfect solution for avoiding leakage of liquids which may jeopardize health or environment or for liquids which are just problematic to seal off.



CRYSTALLIZING AND HARDENING LIQUIDS

TOXIC AND HAZARDOUS LIQUIDS

Phenol, Solvents, Isocyanates, Sodium hydroxide, Epoxy resin, Paint, Glue, Ink, Fuel Additives, Caustic solutions, Sugar solutions, Oils, Bitumen, Alcohols

TopGear MAG provides environmental, human, legal and economical protection.

PROTECTING YOUR FUTURE



TopGear MAG



Seal-less Internal Gear Pumps

FOR YOUR LOCAL REPRESENTATIVE:

www.johnson-pump.com/JPIIndustry/JohnsonPump_distributors.htm

SPX FLOW TECHNOLOGY BELGIUM N.V.

Evenbroekveld 2-4 • BE-9420 Erpe-Mere, BELGIUM

P: +32 (0)53 60 27 15

F: +32 (0)53 60 27 01

E: johnson-pump.be.support@spx.com

SPX reserves the right to incorporate our latest design and material changes without notice or obligation.

Design features, materials of construction and dimensional data, as described in this bulletin, are provided for your information only and should not be relied upon unless confirmed in writing. Please contact your local sales representative for product availability in your region. For more information visit www.spx.com and www.johnson-pump.com.

The green ">" is a trademark of SPX Corporation, Inc.

ISSUED 04/2012 SB-JP-TGMAG-EN

COPYRIGHT © 2012 SPX Corporation