

SUCTION SHOE TECHNOLOGY

THINK OUTSIDE THE O-RING



MICROPUMP®

SUCTION SHOE

PATENTED GEAR PUMP SOLUTION DELIVERS RELIABLE, PULSELESS FLOW IN HIGH PRESSURE SETTINGS

This market exclusive suction shoe gear pump is available only from Micropump. This innovative pump provides a reliable solution for accurate, pulseless flow control in high pressure, high temperature environments beyond the range of traditional cavity-style gear pumps. The suction shoe pump, unlike any other gear pump on the market, self adjusts on the job for reliable, pulseless flow, and features easier maintenance with less downtime than standard pumps.

SUCTION SHOE GEAR PUMPS FEATURE

Wide performance range

- High volumetric efficiency
- High pressure performance
- Wide temperature range

No-fuss Reliability

- Near-zero slip for accurate metering, long life and consistent performance through wear and thermal expansion
- Self compensation for wear for extended life and less maintenance than cavity-style designs
- Low viscosity and lubrication needs

Adaptability

- Availability in Carbon, PPS, or PEEK pumping component materials
- Customization options to meet your design requirements

External Gear Pump Technology

CAVITY STYLE



SUCTION SHOE



HOW IT WORKS

Continuous one-way fluid flow creates a pressure seal against the gear plate, while the suction shoe creates a dynamic seal on two gear teeth at a time. The shoe automatically adjusts position as flow varies and self compensates for wear and thermal fluctuations.

SUCTION SHOE SERIES

- GA
- GB
- GC
- GAH
- GAF

APPLICATIONS

Ideal for Precision Flow, High Pressure Applications

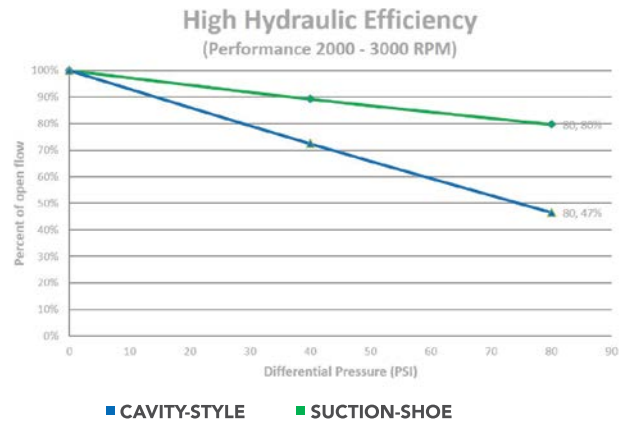
Low wear and stability in constant, one-way flow tasks such as

- Chemical metering
- Seal flushing
- Fuel additive injection
- Freeze protection
- DNA measurement
- Dye application

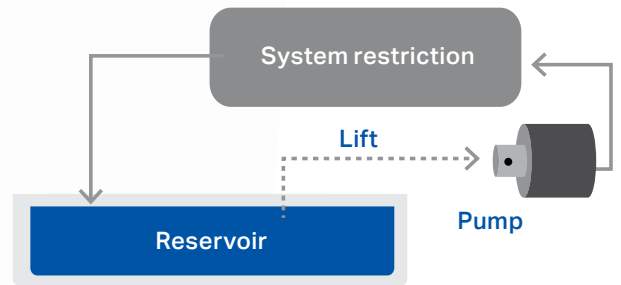
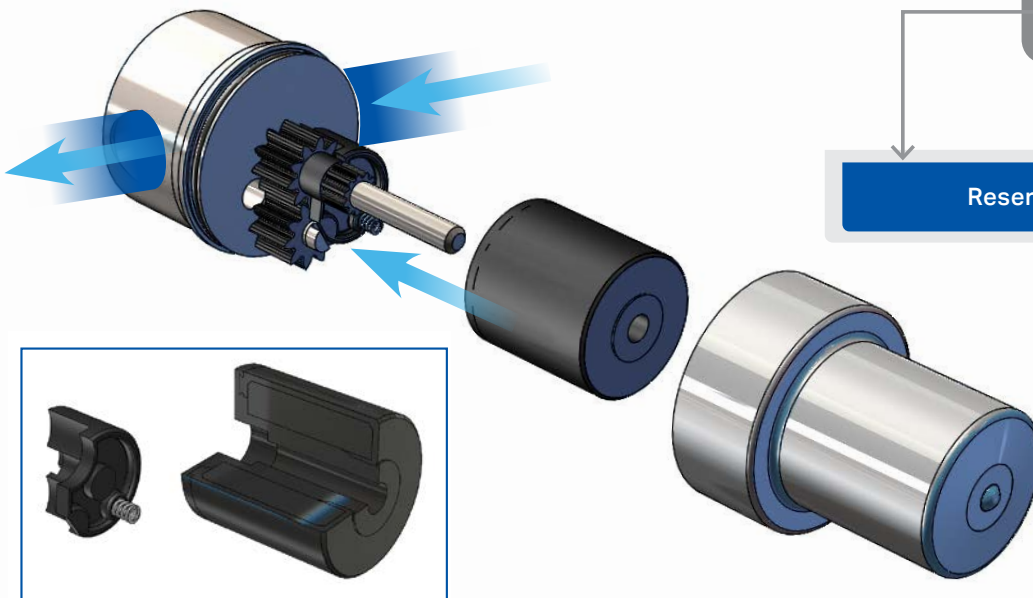
MARKETS

Pulseless flow and high temperature performance in diverse market environments, including:

- Pulp and paper
- Water treatment
- Fuel cell
- Automotive
- Sanitization/disinfection
- Medical



Exclusive Micropump suction shoe technology



MICROPUMP[®]

©Micropump, Inc | A Unit of IDEX Corp.

www.micropump.com

ACTUAL PERFORMANCE MAY VARY. Specifications are subject to change without notice.