

High-Pressure Series Pumps

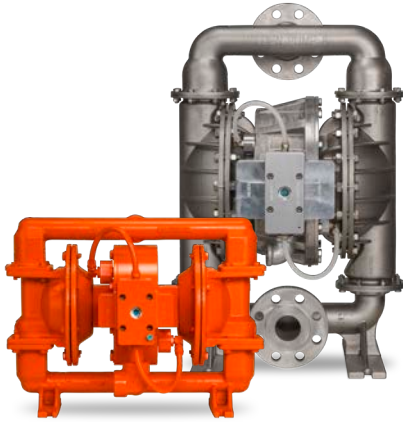


WILDEN[®]

Where Innovation Flows

WILDEN®

Superior Design. Better Performance. More Pressure.



Whether you're transferring chemical sludge, pumping solid-laden slurries, or moving viscous products, Wilden® High-Pressure Series Air-Operated Double-Diaphragm (AODD) Pumps have your operation covered. No matter the high-pressure application, Wilden outperforms the competition thanks to integrated pressure-boosting technology that intensifies fluid discharge pressure. With this integrated innovation, Wilden High-Pressure Pumps can reliably deliver a pressure performance of up to 20.7 bar (300 psig).

PRESSURE SOLUTIONS



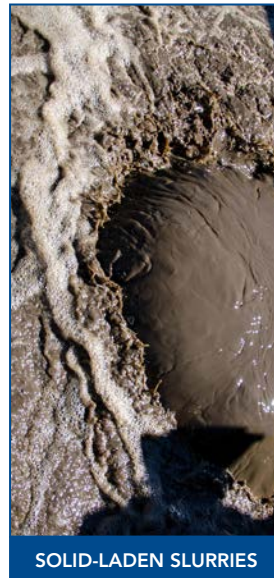
VISCOUS PRODUCT
TRANSFER



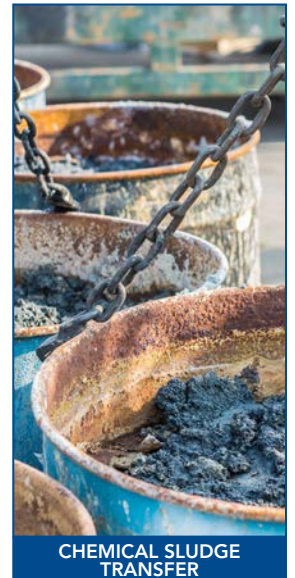
FILTRATION



LONG PIPING RUNS WITH
HIGH FRICTION LOSS



SOLID-LADEN SLURRIES



CHEMICAL SLUDGE
TRANSFER

Wilden High-Pressure Series

Wilden High-Pressure Pumps deliver powerful, reliable and flexible solutions for the most challenging pump applications.

DUPLEX EFFECT: 2X DRIVING FORCE

Wilden High-Pressure Series Pumps use a power piston that produces two times the driving force than a typical piston. The power piston combined with the typical outer piston and Chem-Fuse Integral Piston Diaphragm provides a 3:1 pressure output ratio. This dynamic duo amplifies discharge pressures up to 20.7 bar (300 psig) without the need for costly external boosters or amplifiers.

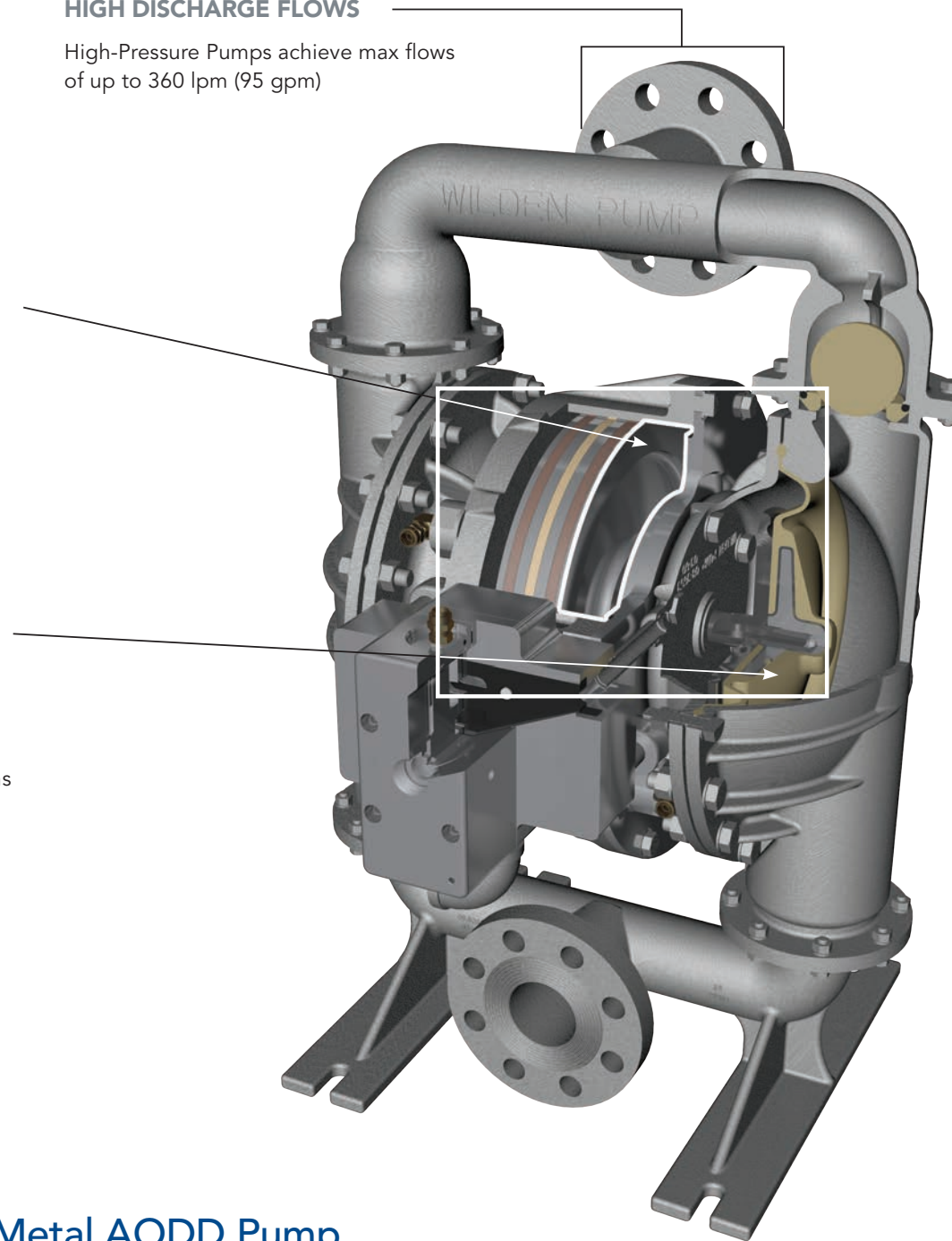


ROBUST INTEGRAL PISTON DIAPHRAGM DESIGN

Chem-Fuse Integral Piston Diaphragms feature a patented, upgraded and robust diaphragm design that eliminates a potential leak point at the outer piston for longer diaphragm life. These diaphragms are also designed to handle higher pressures.

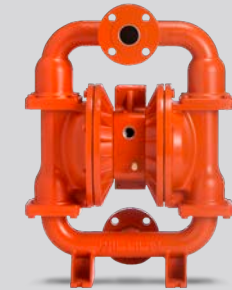
HIGH DISCHARGE FLOWS

High-Pressure Pumps achieve max flows of up to 360 lpm (95 gpm)



Simplex vs. Duplex High-Pressure Technology

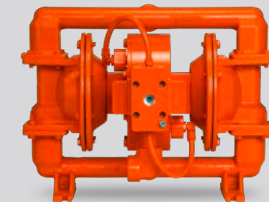
Depending on your application needs, Wilden offers two different type of High-Pressure technologies.



SIMPLEX

The 38 mm (1-1/2") High-Pressure Pump (model HS430S) is Wilden's Simplex High-Pressure Pump. This pump is designed to pump fluid using only one side of the liquid chamber, allowing the other side to develop hydraulic forces within the empty liquid chamber to create a liquid pressure that is two times greater than the supplied air pressure (2:1 pressure output ratio).

VS.

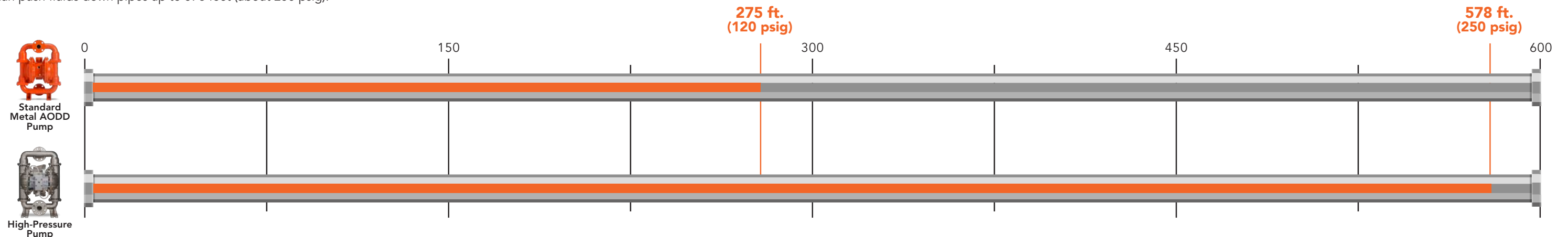


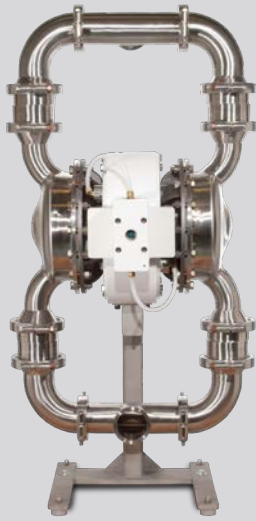
DUPLEX

The 25 mm (1"), 51 mm (2"), and 76 mm (3") High-Pressure Pumps (models H220, H800, and H1500) are Wilden's Duplex High-Pressure Pumps. Designed with a power piston, these pumps function like a normal AODD pump and use both liquid chambers. The power piston is able to create a liquid pressure that is three times greater than the supplied air pressure (3:1 pressure output ratio).

Pushing Fluid: High-Pressure Pump vs Standard Metal AODD Pump

Wilden standard metal AODD pumps can push fluids down pipes up to 275 feet (about 120 psig). Wilden High-Pressure pumps can push fluids down pipes up to 578 feet (about 250 psig).





Only Hygienic™ Series High-Pressure Pump

Wilden offers the industry's only 76 mm (3") High-Pressure Saniflo™ Hygienic™ Series (HS) Pump certified to meet FDA, 1935/2004/EC and USP Class VI standards. Using Duplex power-piston technology, Wilden's High-Pressure Saniflo HS Pump achieves discharge pressure outputs of up to 17.2 bar (250 psig). Wilden High-Pressure Saniflo HS technology is utilized in hygienic applications to transfer pumice soaps, shampoos, hair gel, and other viscous hygienic products. These pump are also ideally suited for systems consisting of long piping runs.

High-Pressure Series TECHNICAL SPECIFICATIONS

Model	Air Inlet	Liquid Inlet	Liquid Discharge	Connection Type	Max. Flow Rate	Max. Inlet Pressure	Max. Discharge Pressure	Max. Size Solids	Max. Suction Lift	Displacement Per Stroke*	Certifications
H220	1/2" FNPT	25 mm (1")	25 mm (1")	NPT/BSPT (Threaded)	94 lpm (25 gpm)	6.9 bar (100 psig)	20.7 bar (300 psig)	6.4 mm (1/4")	2.8 m (9.1') Dry 9.0 m (29.5') Wet	0.189 L (0.05 gal)	CE EX
HS430S	3/4" FNPT	38 mm (1-1/2")	38 mm (1-1/2")	DIN/ANSI (Flanged)	280 lpm (74 gpm)	8.6 bar (125 psig)	17.2 bar (250 psig)	6.4 mm (1/4")	2.0 m (6.8') Dry 9.0 m (29.5') Wet	1.67 L (0.44 gal)	CE EX
H800	3/4" FNPT	51 mm (2")	51 mm (2")	DIN/ANSI (Flanged)	360 lpm (95 gpm)	5.9 bar (85 psig)	17.2 bar (250 psig)	127 mm (1/2")	3.7 m (12.0') Dry 9.0 m (29.5') Wet	1.67 L (0.44 gal)	CE EX
H1500	3/4" FNPT	76 mm (3")	76 mm (3")	TRI-CLAMP®	291 lpm (77 gpm)	5.9 bar (85 psig)	17.2 bar (250 psig)	6.4 mm (1/4")	3.8 m (12.5') Dry 9.0 m (29.5') Wet	1.2 L (0.32 gal)	CE USP CLASS VI FDA

*1 cycle = 2 strokes

WILDEN®

PSG
22069 Van Buren Street
Grand Terrace
CA, 92313-5651
USA
P: +1 (909) 422-1730
F: +1 (909) 783-3440
wildenpump.com



Where Innovation Flows

WIL-11180-C-01

Copyright 2019 PSG®, a Dover company

Authorized PSG® Partner: