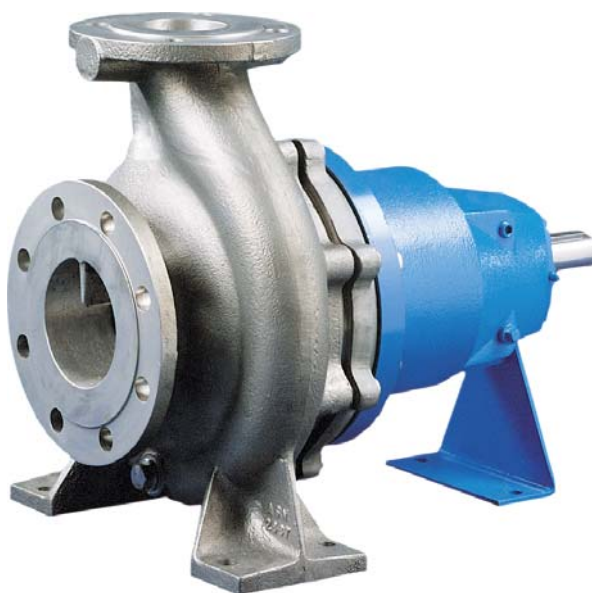


## CombiMag

Centrifugal pump with magnetic coupling

CM/EN (1707) 5.6

Original instructions  
Read and understand this manual prior to operating or servicing this product





## EC Declaration of conformity

(Directive 2006/42/EC, appendix II-A)

### Manufacturer

SPX Flow Technology Assen B.V.  
Dr. A.F. Philipsweg 51  
9403 AD Assen  
The Netherlands

hereby declares that all pumps member of productfamilies CombiBloc, CombiBlocHorti, CombiChem, CombiDirt, CombiFlex(U)(B), CombiPrime H, CombiLine, CombiLineBloc, CombiMag, CombiMagBloc, CombiNorm, CombiPro(L)(M)(V), CombiPrime V, CombiSump, CombiTherm, CombiWell, FRE, FRES, FREF, FREM, KGE(L), KGEF, HCR, MCH(W)(S), MCHZ(W)(S), MCV(S), PHA, MDR whether delivered without drive (last position of serial number = B), or delivered as an assembly with drive (last position of serial number = A), are in conformity with the provisions of Directive 2006/42/EC (as altered most recently) and where applicable the following directives and standards:

- EC directive 2014/35/EU, "Electric equipment for use within certain voltage limits"
- standards EN-ISO 12100 part 1 & 2, EN 809

The pumps to which this declaration refers may only be put into operation after they have been installed in the way prescribed by the manufacturer, and, as the case may be, after the complete system of which these pumps form part, has been made to fulfil the requirements of Directive 2006/42/EC (as altered most recently).

## Declaration of incorporation

(Directive 2006/42/EC, appendix II-B)

### Manufacturer

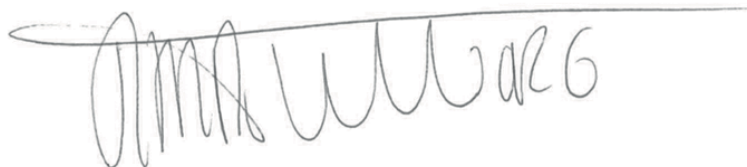
SPX Flow Technology Assen B.V.  
Dr. A.F. Philipsweg 51  
9403 AD Assen  
The Netherlands

hereby declares that the partly completed pump (Back-Pull-Out unit), member of productfamilies CombiBloc, CombiBlocHorti, CombiChem, CombiDirt, CombiFlex(U)(B), CombiPrime H, CombiLine, CombiLineBloc, CombiMag, CombiMagBloc, CombiNorm, CombiPro(L)(M)(V), CombiTherm, CombiPrime V, FRE, FRES, FREF, FREM, KGE(L), KGEF, HCR, PHA, MDR is in conformity with the following standards:

- EN-ISO 12100 parts 1 & 2, EN 809

and that this partly completed pump is meant to be incorporated into the specified pump unit and may only be put into use after the complete machine of which the pump under consideration forms part has been made and declared to comply with that directive.

Assen, September 1st 2016



R. van Tilborg,  
Managing Director



## Instruction manual

All technical and technological information in this manual as well as possible drawings made available by us remain our property and shall not be used (otherwise than for the operation of this pump), copied, duplicated, made available to or brought to the notice of third parties without our prior written consent.

SPXFLOW is a global multi-industry manufacturing leader. The company's highly-specialized, engineered products and innovative technologies are helping to meet rising global demand for electricity and processed foods and beverages, particularly in emerging markets.

SPX Flow Technology Assen B.V.  
P.O. Box 9  
9400 AA Assen  
The Netherlands  
Tel. +31 (0)592 376767  
Fax. +31 (0)592 376760

Copyright © 2015 SPXFLOW Corporation



# Table of Contents

<b>1</b>	<b>Introduction</b>	<b>9</b>
1.1	Preface	9
1.2	Safety	9
1.2.1	Magnetic field	9
1.2.2	Instructions	10
1.3	Guarantee	11
1.4	Service and support	11
1.4.1	Ordering spare parts	11
1.4.2	Pump number	11
1.5	Inspection of delivered items	11
1.6	Instructions for transport and storage	12
1.6.1	Weight	12
1.6.2	Use of pallets	12
1.6.3	Hoisting	12
1.6.4	Storage	13
1.7	Ordering parts	13
<b>2</b>	<b>General</b>	<b>15</b>
2.1	Type code	15
2.2	Serial number	16
2.3	Pump description	16
2.4	Applications	16
2.5	Operation principle	16
2.6	Design	16
2.6.1	Pump casing / Impeller	17
2.6.2	Intermediate cover	17
2.6.3	Magnetic coupling	17
2.6.4	Liquid lubricated bearings	17
2.6.5	Containment can	17
2.6.6	Bearing bracket with drive shaft	18
2.7	Application area	18
2.8	Re-use	18
2.9	Scrapping	18
<b>3</b>	<b>Installation</b>	<b>19</b>
3.1	Safety	19
3.1.1	Magnetic coupling	19
3.1.2	Pump unit	19
3.2	Protection	20
3.3	Environment	20

3.4	Mounting	21
3.4.1	Installation of a pump unit	21
3.4.2	Assembling a pump unit	21
3.4.3	Alignment of the coupling	22
3.4.4	Tolerances for aligning the coupling	23
3.5	Piping	24
3.6	Temperature sensor	25
3.7	Connection of the electric motor	25
<b>4</b>	<b>Commissioning</b>	<b>27</b>
4.1	Preparation	27
4.2	Pumps with oil-bath lubricated bearings	27
4.3	Preparing for commissioning	28
4.4	Checking the sense of rotation	28
4.5	Switching on the pump	28
4.6	Check	29
4.7	Noise	29
<b>5</b>	<b>Maintenance</b>	<b>31</b>
5.1	Lubrication of the bearings	31
5.1.1	Grease-lubricated bearings L1	31
5.1.2	Oil-bath lubricated bearings L3	31
5.2	Environmental influences	32
5.3	Noise	32
5.4	Motor	32
5.5	Faults	32
<b>6</b>	<b>Problem solving</b>	<b>33</b>
<b>7</b>	<b>Disassembly and assembly</b>	<b>35</b>
7.1	Precautionary measures	35
7.1.1	Magnetic coupling	35
7.1.2	Electric connections	35
7.1.3	Jacket	35
7.1.4	Temperature sensor	35
7.2	References	35
7.3	Draining	36
7.3.1	Liquid draining	36
7.3.2	Oil draining	36
7.3.3	Draining the jackets	36
7.4	Precautions	37
7.4.1	Assembly location	37
7.4.2	Special tools	37
7.4.3	Cleaning parts	37
7.4.4	Impact loading	37
7.5	Removing and replacing the pump	37
7.6	Back-Pull-Out system	38
7.6.1	Disassembling the guard	38
7.6.2	Disassembling the Back-Pull-Out unit	38
7.6.3	Assembling the Back-Pull-Out unit	38
7.7	Assembling the guard	39
7.8	Disassembling	41
7.8.1	Disassembly of the Back-Pull-Out unit	41
7.8.2	Disassembly of the impeller	41
7.8.3	Disassembling the bearing bracket	41
7.8.4	Disassembling the pump shaft with outer rotor	42



7.8.5	Disassembling the inner rotor	42
7.9	Wear ring	43
7.9.1	Disassembling the wear ring	43
7.9.2	Assembling the wear ring	43
7.10	Reassembly	44
7.10.1	Reassembling the pump shaft and the outer rotor	44
7.10.2	Reassembly of the inner rotor and the impeller	45
7.10.3	Mounting the bearing bracket to the intermediate cover	46
7.10.4	Inspection after reassembly	46
7.10.5	Mounting the Back-Pull-Out unit to the pump casing	46
7.11	Checking for leakage	46
<b>8</b>	<b>Dimensions</b>	<b>47</b>
8.1	Base plate dimensions and weights	47
8.2	Connections	47
8.3	Flange dimensions	48
8.4	Pump dimensions	49
8.4.1	Dimensions print	49
8.4.2	Pump dimensions	50
8.5	Pump-motor unit with standard coupling	51
8.5.1	Dimensions print	51
8.5.2	Dimensions	51
8.6	Pump-motor unit with spacer coupling	54
8.6.1	Dimensions print	54
8.6.2	Dimensions	54
<b>9</b>	<b>Parts</b>	<b>57</b>
9.1	Ordering parts	57
9.1.1	Order form	57
9.1.2	Recommended spare parts	57
9.2	Pump with MAG 75	58
9.2.1	Parts list pump with MAG 75	60
9.2.2	Parts list complete magnetic coupling MAG 75	60
9.3	Pump with MAG 110 / MAG 135 / MAG 165	61
9.3.1	Parts list pump with MAG 110 / MAG 135 / MAG 165	63
9.3.2	Parts list complete magnetic coupling MAG 110 / MAG 135 / MAG 165	63
9.4	Roller bearing L1 grease lubricated, MAG 75	64
9.4.1	Sectional drawing	64
9.4.2	Parts list	65
9.5	Roller bearing L1 grease lubricated	66
9.5.1	Sectional drawing	66
9.5.2	Parts list	67
9.6	Roller bearing L3 oil lubricated, MAG 75	68
9.6.1	Sectional drawing	68
9.6.2	Parts list	69
9.7	Roller bearing L3 oil lubricated	70
9.7.1	Sectional drawing	70
9.7.2	Parts list	71
9.8	Jacket	72
9.8.1	Composite drawing	72
9.8.2	Parts list	72
9.9	Temperature sensor	73
9.9.1	Composite drawing	73
9.9.2	Parts list	73
<b>10</b>	<b>Technical data</b>	<b>75</b>

10.1	Maximum allowable working pressures	75
10.2	Torque magnetic coupling	75
10.3	Recommended locking liquids	75
10.4	Oil lubricated bearing L3	76
10.4.1	Oil	76
10.4.2	Oil contents	76
10.5	Tightening moments	76
10.5.1	Tightening moments for bolts and Allen screws	76
10.5.2	Tightening moments for cap nut	76
10.5.3	Tightening moments set screw from coupling	77
10.6	Maximum speed	78
10.7	Permissible forces and moments on the flanges	79
10.8	Hydraulic performance	81
10.8.1	Performance overview cast iron and nodular cast iron pumps G, NG	81
10.8.2	Performance overview stainless steel pumps R	83
10.9	Noise data	85
10.9.1	Pump noise as a function of pump power	85
10.9.2	Noise level of entire pump unit	86
	<b>Index</b>	<b>87</b>
	<b>Order form for spare parts</b>	<b>89</b>

# 1 Introduction

## 1.1 Preface

This manual contains important and useful information for the proper functioning and maintenance of this pump. It also contains important instructions to prevent possible accidents and serious damage and to ensure the safe and smooth functioning of this pump.



**Read this manual carefully before commissioning the pump. Familiarize yourself with the operation of the pump and strictly obey the instructions!**

The data published here comply with the most recent information at the time of going to press. However they may be subject to later modifications.

SPXFLOW reserves the right to change the construction and design of the products at any time without being obliged to change earlier deliveries accordingly.

## 1.2 Safety

### 1.2.1 Magnetic field

Because of the presence of strong magnetic fields, a number of points must be observed:



***Personnel who have a pacemaker should not be allowed to work with the magnetic coupling! The magnetic field is sufficiently strong to affect the operation of a pacemaker. A safe distance is 2 metre!***




***Always keep electronic equipment with memory, cheque cards with magnetic strip, and such like at least 1 metre away from the coupling!***


## 1.2.2 Instructions

The manual contains instructions for the safe operation of the pump. Operators and maintenance staff shall be familiarized with these instructions.


Installation, operation and maintenance has to be done by qualified and well prepared personnel.


A list of the symbols used in the aforementioned instructions as well as their meaning is stated below:

 **Personnel who have a pacemaker should not be allowed to work with the magnetic coupling! The magnetic field is sufficiently strong to affect the operation of a pacemaker. A safe distance is 2 metre!**

 **Personal danger for the user. Strict and prompt observance of the corresponding instruction is imperative!**

**!** **Risk of damage to or bad functioning of the pump. Obey the corresponding instruction to avoid this risk.**

 **Danger of magnetic radiation. Stand equipment which is sensitive to this away from the area around the pump.**

 *Useful direction or tip for the user.*

Subjects that require extra attention are printed in **bold** typeface.

This manual has been compiled by SPXFLOW with the utmost care. Nevertheless SPXFLOW cannot guarantee the completeness of this information and therefore assumes no liability for possible deficiencies in this manual. The buyer/user shall at all times be responsible for testing the information and for taking possible additional and/or deviating safety measures.

SPXFLOW reserves the right to change the safety instructions at any time.

### 1.3 Guarantee

SPXFLOW shall not be bound to any guarantee other than the guarantee accepted by SPXFLOW. In particular, SPXFLOW will not assume any liability for explicit and/or implicit guarantees such as but not limited to the marketability and/or suitability of the articles supplied.

The guarantee shall forthwith and legally defunct in case:

- Service and/or maintenance has not been carried out strictly in accordance with the instructions.
- The pump has not been installed and put into in accordance with the instructions in this manual.
- Necessary repairs have not been carried out by our personnel or have been carried out without our prior written consent.
- The articles supplied have been changed without our prior written consent.
- The spare parts used are not original SPXFLOW parts.
- Additives or lubricants used are other than those prescribed.
- The articles supplied are not used according to their nature and/or destination.
- The articles supplied are used amateurishly, carelessly, improperly and/or negligently.
- The articles supplied become defective due to outside circumstances beyond our control.

**All wearing parts shall be excluded from guarantee.**

Furthermore, all deliveries are subject to our "General conditions of delivery and payment (last edition)", which will be forwarded to you free of charge on request.

### 1.4 Service and support

This manual is intended for technicians and maintenance staff and for those who are in charge of ordering spare parts.

#### 1.4.1 Ordering spare parts

This manual contains the spare - and replacement parts recommended by SPXFLOW. A fax-order form is included in this manual. If you have questions or require further information about specific items, please don't hesitate to contact SPXFLOW.

#### 1.4.2 Pump number

The pump number is stated on the pumps type plate. Please refer to this number and the other data mentioned on the type plate when corresponding or ordering parts.

➤ *These pump data are also stated on the label in the beginning of this manual.*

### 1.5 Inspection of delivered items

Check the consignment immediately on arrival for damage and conformity with the advice note. In case of damage and/or missing parts, have a report drawn up by the carrier at once.

## 1.6 Instructions for transport and storage



**Personnel who have a pacemaker should not be allowed to work with the magnetic coupling! The magnetic field is sufficiently strong to affect the operation of a pacemaker. A safe distance is 2 metre!**



**Always keep electronic equipment with memory, cheque cards with magnetic strip, and such like at least 1 metre away from the coupling!**

### 1.6.1 Weight

A pump or a pump unit is generally too heavy to be moved by hand. Therefore, use the correct transport and lifting equipment. Weight of the pump or pump unit are shown on the label on the cover of this manual.

### 1.6.2 Use of pallets

Usually a pump or pump unit is shipped on a pallet. Leave it on the pallet as long as possible to avoid damages and to facilitate possible internal transport.



**When using a forklift always set the forks as far apart as possible and lift the package with both forks to prevent it from toppling over! Avoid jolting the pump when moving it!**

### 1.6.3 Hoisting

When hoisting a pump or complete pump units the straps must be fixed in accordance with figure 1 and figure 2.



**When lifting a pump or a complete pump unit always use a proper and sound lifting device, approved to bear the total weight of the load!**



**Never go underneath a load that is being lifted!**



**If the electric motor is provided with a lifting eye, this lifting eye is intended only for the purpose of carrying out service activities to the electric motor! The lifting eye is designed to bear the weight of the electric motor only! It is NOT permitted to lift a complete pump unit at the lifting eye of an electric motor!!**

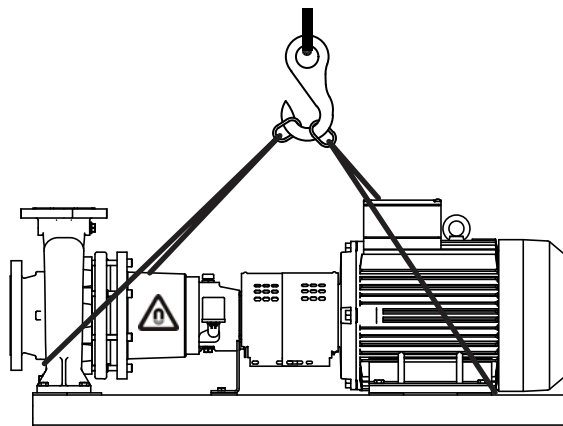


Figure 1: Lifting instructions for pump unit.

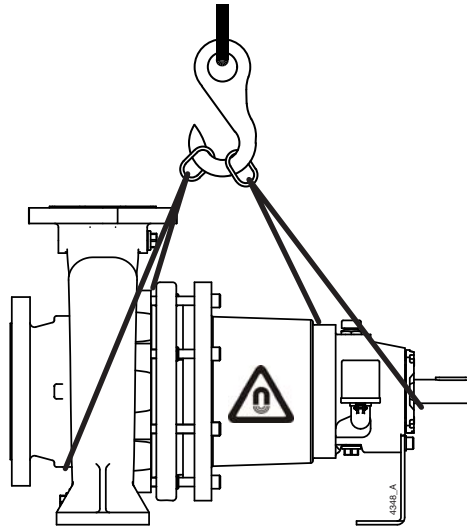


Figure 2: Lifting instructions for single pump.

#### 1.6.4 Storage

If the pump is not to be used immediately the pump shaft must be turned by hand twice per week.

### 1.7 Ordering parts

This manual contains a survey of the spare parts recommended by SPXFLOW as well as the instructions for ordering them. A fax-order form is included in this manual.

You should always state all data stamped on the type plate when ordering parts and in any other correspondence regarding the pump.

➤ *This data is also printed on the label on the front of this manual.*

If you have any questions or require further information with regard to specific subjects, then do not hesitate to contact SPXFLOW.





## 2 General

### 2.1 Type code

Pumps are available in various designs. The main characteristics of the pump are shown in the type code.

Example: **CM 32-250 R6 M3 L1 MAG 110-4**

Pump family					
<b>CM</b>	CombiMag				
Pump size					
<b>32-250</b>	diameter pressure discharge [mm] - nominal impeller diameter [mm]				
Pump casing material					
<b>G</b>	cast iron				
<b>NG</b>	nodular cast iron				
<b>R</b>	stainless steel			stainless steel, PN20	
Impeller material					
<b>1</b>	cast iron				
<b>2</b>	bronze				
<b>6</b>	stainless steel				
Containment can - Slide bearings					
	Containment can			Slide bearings	
<b>M3</b>	Hastelloy C®			silicon carbide (SiC)	
Roller bearings					
<b>L1</b>	grease lubricated				
<b>L3</b>	oil lubricated				
Magnet length magnetic coupling[ cm]					
<b>MAG 75</b>	2	4	6		
<b>MAG 110</b>	2	4	6		
<b>MAG 135</b>		4	6	8	
<b>MAG 165</b>		4	6	8	10

## 2.2 Serial number

Serial number of the pump or pump unit are shown on the name plate off the pump and on the label on the cover of this manual.

Example: **01-1000675A**

01	year of manufacture
100067	unique number
5	number of pumps
A	pump with motor
B	pump with free shaft end

## 2.3 Pump description

The CombiMag is a series of leakage-free horizontal centrifugal pumps which conform to ISO 2858 / EN 22858 (DIN 24256)/ ISO 5199. Flange dimensions, bolt circle and number of holes are in accordance with ISO 7005 PN 16. The pump is driven by a standard foot motor. The power is transmitted through a flexible coupling.

## 2.4 Applications

- In general, CombiMag pumps are suitable for thin, clean and lightly contaminated liquids, without particles which can get magnetized.
- The maximum allowed system pressure and temperature and the maximum speed depend on the pump type and the pump construction. For relevant data see paragraph 10.1 "Maximum allowable working pressures" and paragraph 10.6 "Maximum speed".
- Further details about the application possibilities of your specific pump are mentioned in the order confirmation and/or in the data sheet enclosed with the delivery.
- Do not use the pump for purposes other than those for which it is delivered without prior consultation with your supplier.



***Using a pump in a system or under system conditions (liquid, working pressure, temperature, etc.) for which it has not been designed may hazard the user!***

## 2.5 Operation principle

The pump is driven by a standard IEC motor, via an elastic coupling. The motor drives the outer rotor. Inside this outer rotor a number of magnets is fitted, set to the power to be transmitted. The inner rotor, fitted to the impeller shaft, contains the same number of magnets. The magnets of inner and outer rotor face each other a pole pairs. Once the outer rotor starts rotating the inner rotor is driven by the outer rotor. In this way the motor power is transmitted to the inner rotor and the impeller shaft via the outer rotor. A static containment can, located between both rotors, separates the liquid from the atmosphere.

## 2.6 Design

The CombiMag is designed according to a strongly implemented modular construction method. Many parts are interchangeable with parts from other pumps of the Combi-range. This interchangeability makes it possible to convert existing CombiChem pumps, fitted with mechanical seals, to magnetic coupled pumps, where the electric motor, the pump casing, the impeller and the base plate can often be retained.

The most important parts are:

#### 2.6.1 Pump casing / Impeller

For every pump type, the pump casing and the impeller in the various material types are structurally similar and interchangeable. A replaceable wear ring is fitted in the pump casing at the location of the impeller inlet. The rear side of the impeller is fitted with back vanes. These provide a partial balancing of the axial forces acting on the impeller. At the same time, the back vanes support the circulation of liquid through the slide bearings. An important feature is the Back-Pull-Out construction. The impeller section, with the shaft and containment can, can be removed and the pump casing remains in the pipe system.

#### 2.6.2 Intermediate cover

The intermediate cover is the connecting piece between the pump section and the magnetic coupling. The stationary part of the slide bearings and the containment can both are fitted to the intermediate cover. The intermediate cover is connected to the pump casing as a separate element. The intermediate cover is provided with apertures in such a manner that the pumped medium can circulate around the magnets of the inner rotor and the slide bearings. The circulation is kept going by the pressure difference between the external circumference of the impeller and the impeller hub. The intermediate cover is provided with a connection to fit a temperature sensor to the containment can. The bottom of the intermediate cover is fitted with a connection to fit a pressure gauge, but which can also serve as a drain for the inner space of the bearing bracket.

#### 2.6.3 Magnetic coupling

The maximum power transmitted is a motor output of 75 kW at 3000 rpm and 50 kW at 1500 rpm. The CombiMag programme includes 4 magnetic coupling sizes, namely: MAG 75, MAG 110, MAG 135 and MAG 165. The selection of the coupling depends upon the torque to be transferred. The method of construction for the three sizes is identical. The MAG 110 and - 135 even have the same bearing construction. The magnets of the inner rotor are encapsulated by a thin stainless steel jacket which prevents exposure to the liquid.

#### 2.6.4 Liquid lubricated bearings

All axial and radial forces which are generated by the impeller are absorbed by the liquid lubricated bearings. These bearings contain grooves which ensure optimum lubrication and cooling. To ensure a constant lubrication and cooling of the bearing, **solid, non-abrasive particles may not be larger than 0,1 mm** (=the groove cross-section). The slide bearings are shrunk fit into a stainless steel holder and fitted to a silicon carbide shaft sleeve. The shaft sleeve is centred in the axial bearing construction.

#### 2.6.5 Containment can

The containment can is a deep drawn metal can. This can is designed for system pressures up to 2500 kPa (25 bar). The wall thickness of the containment can is such that the torque loss, caused by the occurring eddy currents, is minimal. The containment can material has a decisive influence on the production of heat on site. The can is made of Hastelloy C®. The containment can is fixed to the intermediate stage by means of a welded-on flange and is sealed by a gasket. The containment can separates the liquid to be pumped from the atmosphere.

## 2.6.6 Bearing bracket with drive shaft

The bearing bracket is completely sealed. The outer rotor driven by the electric motor is placed in the bearing bracket. An emergency bearing is fitted to the pump casing side. Should the ball bearings have too much clearance, then there is no possibility that the outer rotor can damage the containment can. The bearing construction consists of 2 deep groove ball bearings. These bearings are subject to light loads because the impeller forces are no longer taken up by this bearing construction and are therefore prestressed. The bearings can be grease or oil lubricated. If grease lubrication is applied then the bearings shall be supplied with sufficient grease for their entire life-span. The bearing bracket is supported by a bracket support. In this way, alignment errors with the electric motor caused by piping forces are kept to a minimum.

## 2.7 Application area

The application area globally looks as follows:

Table 1: Application area.

Maximum capacity	550 m <sup>3</sup> /h
Maximum delivery head	160 m
Maximum system pressure	1600 kPa (16 bar), optional 2500 kPa (25 bar)
Temperature range	-50°C to 300°C
Viscosity	0,3 mPas to 150 mPas
Slurry	maximum 5% weight, maximum size 0,25 mm
Solids	maximum diameter 0,1 mm, hardness 700 HV

## 2.8 Re-use



**Personnel who have a pacemaker should not be allowed to work with the magnetic coupling! The magnetic field is sufficiently strong to affect the operation of a pacemaker. A safe distance is 2 metre!**



**Always keep electronic equipment with memory, cheque cards with magnetic strip, and such like at least 1 metre away from the coupling!**

The pump may only be used for other applications after prior consultation with SPXFLOW or your supplier. Since the lastly pumped medium is not always known, the following instructions should be observed:

- Flush the pump properly
- Make sure the flushing liquid is discharged safely (environment!)



**Take adequate precautions and use the appropriate personal protection means (rubber gloves, spectacles)!**

## 2.9 Scrapping

If it has been decided to scrap a pump, the same procedure as for paragraph 2.8 "Re-use" should be followed.

## 3 Installation

### 3.1 Safety

Read this manual carefully before installing and commissioning the pump. Non-observance of these instructions may cause serious damage to the pump that is not covered by our guarantee terms. Follow the instructions step by step.

#### 3.1.1 Magnetic coupling

Because of the presence of strong magnetic fields, a number of points must be observed:



**Personnel who have a pacemaker should not be allowed to work with the magnetic coupling! The magnetic field is sufficiently strong to affect the operation of a pacemaker. A safe distance is 2 metre!**



**Do not subject the pump to any jolting loads. This can cause damage to the magnets or the ceramic slide bearings on account of their brittleness.**



**Always keep electronic equipment with memory, cheque cards with magnetic strip, and such like at least 1 metre away from the coupling!**

#### 3.1.2 Pump unit

- Make sure the motor cannot be started when work is done to the pump- motor combination and running parts are insufficiently shielded.
- The pumps are suitable for liquids with a temperature up to 300°C. As from 65°C the user, when installing the pump unit, should take appropriate protection and warning measures to prevent contact with hot pump parts.
- If danger arises in case of static electricity, the entire pump unit should be earthed properly.
- If there is a danger that the pumped liquid might be harmful to men or the environment, the user should take appropriate measures for safe drainage.

## 3.2 Protection



**To prevent damage during transportation, the impeller is parked on the inlet flange with a flange. Remove this flange before connecting the inlet pipe. Check whether the pump shaft can be rotated by hand. Keep the flange for subsequent transport, checks or repair work.**

To prevent corrosion, the pump is flushed with a preserving agent before leaving the works. Before putting the pump into operation, drain off any preserving agent and flush the pump thoroughly with hot water.

## 3.3 Environment

- The foundation must be hard, level and flat.
- The area in which the pump unit is to be placed should be adequately ventilated. A too high ambient temperature and air humidity, as well as a dusty environment may have a negative effect on the functioning of the motor.
- Around the pump unit there should be enough space to operate and if necessary repair the pump.
- Behind the cooling air inlet of the motor there should be a free area of at least 1/4 of the electric motor diameter, to ensure unobstructed air supply.
- In case the pump is provided with an isolation, special attention has to be paid To temperature limits of shaft seal and bearing.

### 3.4 Mounting



**Ensure that the pump can not be started if work has to be undertaken to the pump during installation and the rotating parts are insufficiently guarded!**

#### 3.4.1 Installation of a pump unit

Pump and motor shafts of complete pump units are adjusted perfectly in line in the works.

- 1 In case of permanent arrangement place the base plate level on the foundation with the aid of shims.
- 2 Carefully tighten the nuts on the foundation bolts.
- 3 Check the alignment of pump and motor shafts and if necessary realign, see paragraph 3.4.3 "Alignment of the coupling".

#### 3.4.2 Assembling a pump unit

If the pump and the electric motor still have to be assembled, do the following:



**If a flywheel forms part of the delivery this will have to be fitted to the shaft of the electric motor in order to prevent the magnetic coupling from slipping during start-up. See figure 3.**

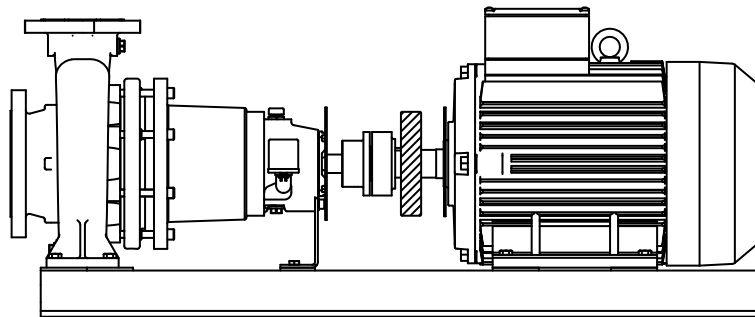


Figure 3: Fitting the flywheel.

- 1 Fit both halves of the coupling to the pump shaft and the motor shaft respectively. For tightening moment of the set screw see paragraph 10.5.3 "Tightening moments set screw from coupling".
- 2 If size **db** of the pump, see figure 18, is not equal to the IEC size of the motor, level up the difference by placing properly sized spacers under the pump or under the motor feet.
- 3 Place the pump on the base plate. Always place shims of 5 mm thickness under the pump feet and under the bearing bracket support. Fix the pump to the base plate.
- 4 Place the electric motor on the base plate. Always place shims of 5 mm thickness under the electric motor feet. Move the motor to obtain a gap of 3 mm between both coupling halves.
- 5 Place copper shims under the feet of the electric motor. Fix the electric motor to the base plate.
- 6 Align the coupling in accordance with the following instructions.

### 3.4.3 Alignment of the coupling

- 1 Place a ruler (A) on the coupling. Place or remove as many copper shims as is necessary to bring the electric motor to the correct height so that the straight edge touches both coupling halves over the entire length, see figure 4.

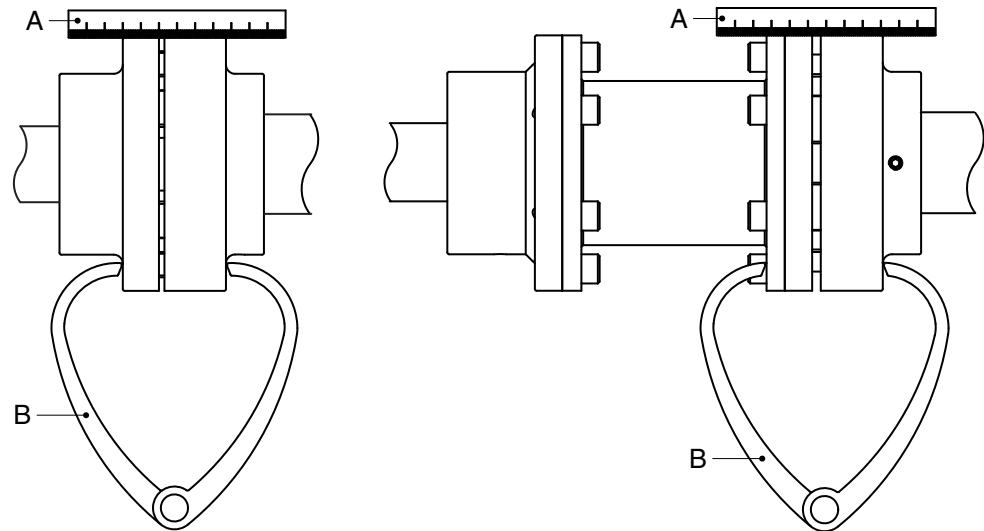


Figure 4: *Aligning the coupling by means of a ruler and a pair of outside calipers.*

- 2 Repeat the same check on both sides of the coupling at the height of the shaft. Move the electric motor so that the straight edge touches both coupling halves over the entire length.
- 3 Check the alignment once again using a pair of external calipers (B) at 2 diametrical opposite points on the sides of the coupling halves, see figure 4.
- 4 Fit the guard. See paragraph 7.7 "Assembling the guard".



3.4.4 Tolerances for aligning the coupling

The maximum allowable tolerances for the alignment of the coupling halves are shown in Table 2. See also figure 5.

Table 2: Alignment tolerances

External diameter of coupling [mm]	V				Va <sub>max</sub> - Va <sub>min</sub> [mm]	Vr <sub>max</sub> [mm]
	min [mm]		max [mm]			
81-95	2	5*	4	6*	0,15	0,15
96-110	2	5*	4	6*	0,18	0,18
111-130	2	5*	4	6*	0,21	0,21
131-140	2	5*	4	6*	0,24	0,24
141-160	2	6*	6	7*	0,27	0,27
161-180	2	6*	6	7*	0,30	0,30
181-200	2	6*	6	7*	0,34	0,34
201-225	2	6*	6	7*	0,38	0,38

\*) = coupling with spacer

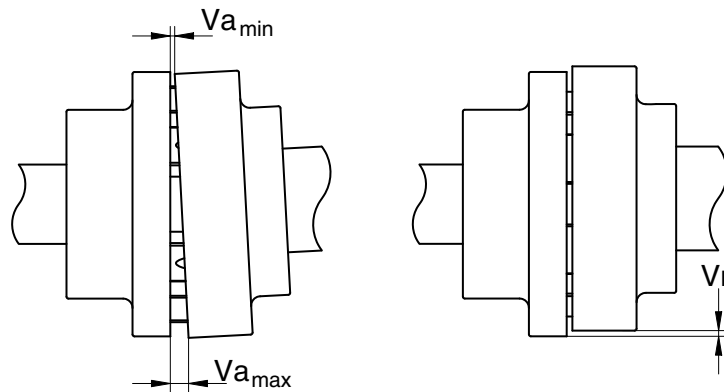


Figure 5: Alignment tolerances standard coupling.

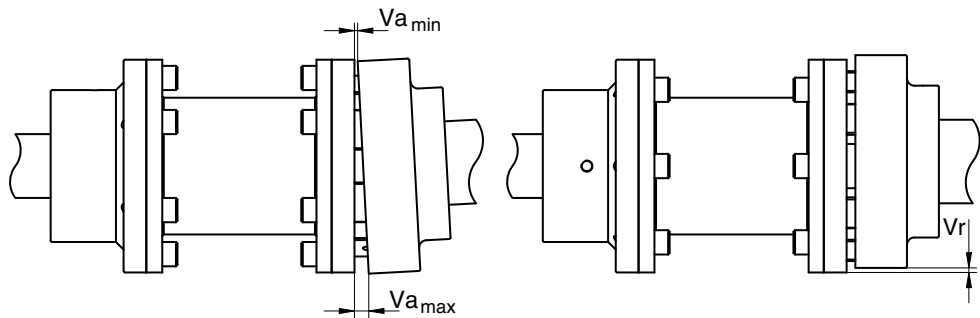


Figure 6: Alignment tolerances spacer coupling.

## 3.5 Piping

- The CombiMag is not a self-priming pump, normally the liquid should flow into the pump.
- The piping to the suction and delivery connections must fit exactly and must not be subject to stress during operation. The maximum allowable forces and moments on the pump flanges are stated in paragraph 10.7 "Permissible forces and moments on the flanges".
- The passage of the suction pipe must be amply dimensioned. This pipe should be as short as possible and run towards the pump in such a way that no air pockets can arise. If this is not possible, a venting facility should be provided at the highest point of the pipe. If the inside diameter of the suction pipe is larger than the suction connection of the pump, an eccentric reducer should be applied to prevent air pockets and whirls. See figure 7.

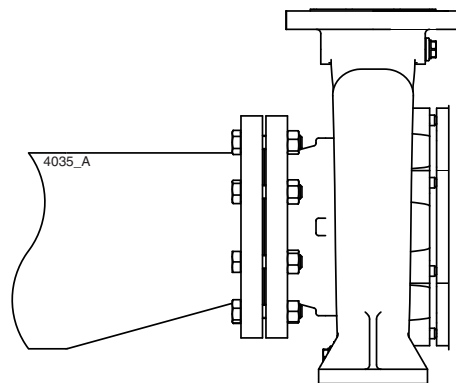


Figure 7: *Eccentric reducer to suction flange.*

- The maximum allowable system pressure is stated in paragraph 10.1 "Maximum allowable working pressures". If there is a risk that this pressure might be exceeded, for instance because of an excessive inlet pressure, appropriate measures should be taken by mounting a safety valve in the piping.
- Sudden changes in the rate of flow can lead to high pressure impulses in the pump and the piping (water shock). Therefore, do not use quick-acting closing devices, valves etc.
- Before installing the pump, first flush the piping thoroughly to clean out any dirt, grease or possible particles.
- When mounting, place temporarily (for the first 24 operating hours) a fine gauze between suction flange and suction pipe so as to prevent internal pump parts from being damaged by foreign matter. If the risk of damage continues to exist, mount a permanent filter.

**3.6 Temperature sensor**

In case the pump is provided with a temperature sensor, the connections to the transmitter in the connection head must be made by an approved electrician.

The connection head is provided with a cable gland M20 x 1,5.

See the following wiring diagram for the appropriate connections.

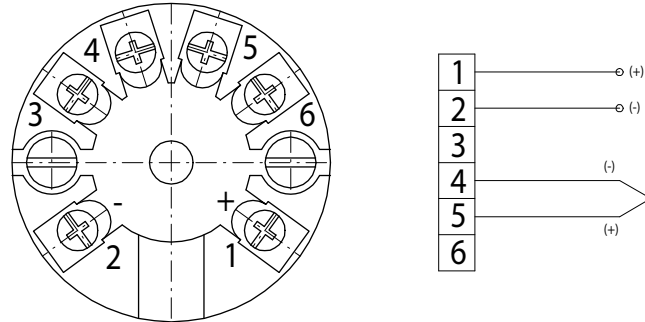


Figure 8: Connecting the transmitter

**3.7 Connection of the electric motor**



**The electric motor must be connected to the mains by an approved electrician, according to the locally prevailing regulations of the electricity company.**

- Refer to the instruction manual belonging to the electric motor.
- If possible, mount a working switch as close as possible to the pump.



## 4 Commissioning

### 4.1 Preparation



**Personnel who have a pacemaker should not be allowed to work with the magnetic coupling! The magnetic field is sufficiently strong to affect the operation of a pacemaker. A safe distance is 2 metre!**



**Always keep electronic equipment with memory, cheque cards with magnetic strip, and such like at least 1 metre away from the coupling!**

- Check if the shaft can rotate freely. Do this by turning the shaft end at the coupling a few times by hand.
- Check whether the fuses have been mounted.
- Check that the setting for the thermal protection switch corresponds with the specification on the type plate on the electric motor.

### 4.2 Pumps with oil-bath lubricated bearings



**Pumps provided with oil-bath lubricated bearings are shipped without oil and must be filled with oil prior to commissioning the pump!**

For the specification of the oil to be used, see paragraph 10.4 "Oil lubricated bearing L3".

- 1 Remove the oil filler cap (2130).
- 2 Fill the bearing bracket through the oil filling orifice till the oil shows in the constant level oiler.
- 3 Fit the oil filler cap.
- 4 Top up the constant level oiler entirely.

## 4.3 Preparing for commissioning

Proceed as follows, both when the unit is put into operation for the first time and after the pump has been repaired:

- 1 Close the outlet valve, though not entirely, so that air bubbles are always allowed to develop when the pump fills up with liquid via the inlet opening.

➤ *If a non-return valve is fitted to the outlet flange then provide this with a hole (Ø4mm), with the same purpose.*

- 2 Fully open the stop valve in the suction pipe. Fill the pump and the suction pipe with the liquid to be pumped. Some liquid will get into the outlet pipe (approximately 0,5 m static). It may be useful to vent the system to the atmosphere via the connection for this purpose on the outlet flange.
- 3 Rotate the pump shaft vigorously a few times by hand in a clockwise direction and then a few times anti- clockwise. Stop turning and wait  $\pm 3$  minutes to allow the air to escape. Repeat this procedure at least 5 times. Top up the pump as necessary.

## 4.4 Checking the sense of rotation



***Beware of possible non-screened rotating parts when checking the sense of rotation!***

- 1 The sense of rotation of the pump is indicated by an arrow on the bearing bracket. Check if the sense of rotation of the motor corresponds to that of the pump.
- 2 Let the motor run for only a short time and check the sense of rotation.
- 3 If the sense of rotation is **not** correct, alter the sense of rotation. See the the instructions in the user manual, shipped with the electric motor.
- 4 Fit the guard.

## 4.5 Switching on the pump

- 1 Open the valve in the flushing, cooling or heating liquid supply pipe if the pump is fitted with flushing, cooling or jacket heating.
- 2 Switch on the pump.
- 3 Once the pump is up to pressure, slowly open the pressure cock. Check the power consumption of the electric motor.
- 4 Now open the outlet valve fully until the pump reaches the correct duty point. Check the power consumption again.



***Make sure that the rotating parts are always sufficiently guarded when the pump is running!***

#### 4.6 Check

If a pump is in operation pay attention to the following:

!

**The pump should never run dry.**

!

**The pump must never run with a fully closed outlet valve! The following is a guideline for the minimum liquid flow: 20% of the capacity at  $Q_{BEP}$ .**

When running with a fully closed outlet valve the heat which is generated by the impeller, magnetic coupling and slide bearings will result in the liquid boiling or evaporating. This will result in cavitation/vibration of the pump, serious damage to the impeller and abrupt seizure of the slide bearings.

- Check if the system pressure always remains below the maximum permissible working pressure. For the correct values, see paragraph 10.1 "Maximum allowable working pressures".
- The pump flow must never be controlled by using the stop cock in the suction pipe. This must always be fully open.
- Check if the differential pressure between the suction and the pressure connections corresponds with the specifications of the working point of the pump.
- Check if the absolute inlet pressure is sufficient so that no condensation can form in the pump. This can result in cavitation. The **minimum required inlet pressure** (in m) above the vapour pressure of the liquid being pumped at pump temperature must be **at least 0,5 - 1 m above the NPSH values** of the CombiMag pump (NPSH = Net Positive Suction Head).
- If the motor is running, the valves are not closed and the pressure and capacity of the pump are collapsing while a knocking sound is heard, the magnets are probably slipping and the motor has to be shut off immediately.

!

**Cavitation must always be prevented, since this is very harmful to the pump.**

#### 4.7 Noise

The noise production of a pump depends to a great extent on the operating conditions. The values stated in paragraph 10.9 "Noise data" are based on normal operation of the pump, driven by an electric motor.

In case the noise level **during normal operating conditions** should exceed 85 dBa, take preventive measures to protect hearing, by placing a noise barrier around the pump or wearing ear cuffs.

**Ensure the operating conditions are NORMAL (=according to spec.) and that the high noise level does not indicate any premature pump failure!**





## 5 Maintenance



**Personnel who have a pacemaker should not be allowed to work with the magnetic coupling! The magnetic field is sufficiently strong to affect the operation of a pacemaker. A safe distance is 2 metre!**



**Always keep electronic equipment with memory, cheque cards with magnetic strip, and such like at least 1 metre away from the coupling!**



**If the pump chamber is sprayed clean, water must not enter the terminal box of the electric motor! Never spray water on hot pump parts! These parts can burst if subject to sudden cooling and the hot pump liquid can then come out.**



**When the pump must be moved for checking or maintenance, then the impeller should first be fixed to the accompanying flange to prevent damage to the liquid lubricated bearings.**



**Flawed maintenance will result in shorter lifespan, possible break down and in any event loss of warranty.**

### 5.1 Lubrication of the bearings

#### 5.1.1 Grease-lubricated bearings L1

- The grease lubricated bearing configuration does not require any maintenance.

#### 5.1.2 Oil-bath lubricated bearings L3

- During operation the constant level oiler should never be empty. Take care to top up timely.
- The oil should be changed once a year. If the oil temperature is higher than 80°C, the oil should be changed more often. For recommended oils and quantities see paragraph 10.4 "Oil lubricated bearing L3".



**Make sure the used oil is discharged safely.  
See to it that it does not get into the environment.**

## 5.2 Environmental influences

- Regularly clean the filter in the suction pipe or the suction strainer at the bottom of the suction pipe, as the inlet pressure may become too low if the filter or the suction strainer is fouled.
- If there is a risk that the pumped liquid expands during solidification or freezing, the pump has to be drained and, if necessary, flushed after it has been put out of service.
- If the pump is out of service for a long time, it has to be preserved.
- Check motor for accumulation of dust or dirt, which might influence motor temperature.

## 5.3 Noise

If a pump starts making noise, this may point to certain problems with the pump unit. A crackling noise can indicate cavitation or excessive motor noise can indicate deterioration of the bearings.

## 5.4 Motor

Check motor specifications for start-stop frequency.

## 5.5 Faults



***The pump, of which you want to determine the fault, may be hot or under pressure. Take the appropriate precautions first and protect yourself with the proper safety devices (safety goggles, gloves, protective clothing)!***

To determine the source of the malfunctioning of the pump, proceed as follows:

- 1 Switch off the power supply to the pump unit. Lock the working switch with a padlock or remove the fuse. In case of a combustion engine: switch off the engine and close the fuel supply to the engine.
- 2 Close the stop valves.
- 3 Determine the nature of the fault.
- 4 Try to determine the cause of the fault with chapter 6 "Problem solving" and take the appropriate measures or contact your installer.

## 6 Problem solving

Faults in a pump installation can have various causes. The fault may not be in the pump, it may also be caused by the pipe system or the operating conditions. Firstly, always check that installation has been executed in accordance with the instructions in this manual and that the operating conditions still correspond with the specifications for which the pump was purchased.

In general, breakdowns in a pump installation are attributable to the following causes:

- Faults with the pump.
- Breakdowns or faults in the pipe system.
- Faults due to incorrect installation or commissioning.
- Faults due to incorrect choice of pump.

A number of the most frequently occurring failures as well as their possible causes are shown in the table below.



**Personnel who have a pacemaker should not be allowed to work with the magnetic coupling! The magnetic field is sufficiently strong to affect the operation of a pacemaker. A safe distance is 2 metre!**

Table 3: Most frequently occurring failures.

Most common faults	Possible causes
Pump delivers no liquid	1 2 3 4 8 9 10 11 13 14 17 19 20 21 27 29 43
Pump has insufficient volume flow	1 2 3 4 8 9 10 11 13 14 15 17 19 20 21 28 29
Pump has insufficient head	2 4 13 14 17 19 28 29
Pump stops after start up	1 2 3 4 5 6 7 8 9 10 11
Pump has higher power consumption than normal	12 15 16 17 18 22 24 25 26 27 38 39
Pump has lower power consumption than normal	13 14 15 16 17 18 20 21 28 29 43
Pump vibrates or is noisy	1 9 10 11 15 18 19 20 22 24 25 26 27 28 29 37 38 39 40
Bearings wear too much or become hot	24 25 26 27 37 38 39 40 42
Pump running rough, hot or seizes	18 24 25 26 27 37 38 39 40 42

Table 4: Possible causes of pump failures.

	Possible causes
1	Pump or suction pipe not sufficiently filled or vented
2	Gas or air coming from the liquid
3	Air lock in the suction pipe
4	Suction pipe leaks air
8	The manometric suction head is too high
9	Suction pipe or suction strainer is blocked
10	Insufficient immersion of foot valve or suction pipe during operation of the pump
11	NPSH available too low
12	Speed too high
13	Speed too low
14	Wrong sense of rotation
15	Pump does not work at the correct duty point
16	Liquid density differs from the calculated density
17	Liquid viscosity differs from the calculated viscosity
18	Pump operates with too low liquid flow
19	Wrong pump selection
20	Obstruction in impeller or pump casing
21	Obstruction in the piping system
22	Wrong installation of the pump unit
24	Rotating part running out of true
25	Rotating parts out of balance (i.e. impeller, magnetic coupling)
26	Pump shaft running out of true
27	Bearings faulty or worn / Slide bearings faulty or worn
28	Wear ring faulty or worn
29	Impeller is damaged
37	Axial retaining of impeller or pump shaft is defective
38	The bearings have been fitted incorrectly
39	Too much or too little bearing lubrication
40	Wrong or polluted lubricant
41	Contaminants in the liquid
42	Too high axial force due to worn back blades or excessive inlet pressure
43	Magnetic coupling slips as a result of points 24, 27, 28, 29 or 37 amongst others

## 7 Disassembly and assembly

### 7.1 Precautionary measures

#### 7.1.1 Magnetic coupling



**Personnel who have a pacemaker should not be allowed to work with the magnetic coupling! The magnetic field is sufficiently strong to affect the operation of a pacemaker. A safe distance is 2 metre!**



**Always keep electronic equipment with memory, cheque cards with magnetic strip, and such like at least 1 metre away from the coupling!**

#### 7.1.2 Electric connections



**Take adequate measures to avoid that the motor is started while you are working on the pump. This is especially important for electric motors with remote control:**

- Switch the operating switch near the pump (if available) to "OFF".
- Switch off the pump switch on the switchboard.
- If necessary remove the fuses.
- Hang a danger board near the switchboard cabinet.

#### 7.1.3 Jacket



**In case the pump is equipped with jackets, ensure the liquid lines are shut off and let the pump cool down before proceeding with any disassembly of the pump!**

#### 7.1.4 Temperature sensor



**If the pump is equipped with a temperature sensor do not loosen and do not remove the temperature sensor on the outside of the pump before disassembly of the outer rotor (see chapter 7.8.3 "Disassembling the bearing bracket" point 6)!**

### 7.2 References

If no specific figure number is stated, all item numbers mentioned in the instructions below, refer to the parts lists and sectional drawings in chapter 9 "Parts".

## 7.3 Draining



**Make sure no liquid or oil gets into the environment!**

### 7.3.1 Liquid draining

Before starting any disassembly the pump should be drained.

- 1 If necessary, close the valves in the suction and delivery pipe and in the flushing or cooling supply lines to the shaft seal.
- 2 Remove the drain plug (0310).
- 3 If harmful liquids are pumped wear protective gloves, shoes, glasses, etc., and thoroughly flush the pump.
- 4 Refit the drain plug.

### 7.3.2 Oil draining

If the pump is designed with oil lubricated bearings:

- 1 Remove the oil drain plug (2190).
- 2 Drain the oil.
- 3 Refit the oil drain plug.



***If possible, wear protective gloves. Regular contact with oil products may result in allergic reactions.***

### 7.3.3 Draining the jackets

If the pump is provided with jackets, drain them **once the pump has cooled down!**

## 7.4 Precautions

### 7.4.1 Assembly location

- Remove parts from the workbench which are not necessary for assembly. Magnetic materials (grindings, bolts and such like) can suddenly be attracted to the coupling resulting in damage to the coupling or personal injury.
- In cases where metal workbenches are used, mask the workbench with corrugated fibreboard or another soft material.

### 7.4.2 Special tools

Assembly and disassembly work requires no special tools. However, such tools can make certain jobs easier, for instance replacing the shaft seal. If such is the case it will be indicated in the text.

### 7.4.3 Cleaning parts

Cleanse and degrease all joint faces and centring surfaces with methyl alcohol. Preferably use cellulose cleaning cloths for this.



**Do not use any solvent for the removal of possible dirt. This can affect the non-encapsulated magnets. Any dirt can be removed from the magnets with masking tape!**

### 7.4.4 Impact loading

The materials used for magnets and slide bearings are highly vulnerable during current surge loading. Therefore pay close attention to the following points:



**Do not exercise any impact loads on the magnets during assembly and disassembly. This can cause damage to the magnets on account of their brittleness.**



**Do not exercise any impact load directly on the slide bearing during assembly and disassembly. This can cause the formation of micro-cracks which can lead to serious damage of the bearing.**



**Impact loads should at all times be prevented during the installation and transportation of the pump or components thereof. The magnets and the slide bearings can be damaged by impact loading.**

## 7.5 Removing and replacing the pump

Either the pump can be removed completely or only the Back-Pull-Out unit can be removed, leaving the pump casing fixed to the base plate and the flanges connected to the piping. In most cases the entire pump will be disassembled, to inspect respectively repair it in the work shop, under clean conditions

- Ensure the shut-off valves are closed and the pump is drained
- Once the pump or the Back-Pull-Out unit is removed, place it on a pallet for further internal transport..



**Place a warning sign close to the pump on the pallet warning against the hazards of the magnetic field!**



**Place a warning sign close to the pump on the pallet warning against the harmful effects of the magnetic field!**

## 7.6 Back-Pull-Out system

The pumps are designed with a Back-Pull-Out system. If the pump unit is designed with a spacer-coupling, just remove the spacer. After that the bearing bracket with the entire rotating part can be removed. This means that almost the whole pump can be dismantled without having to detach the suction and delivery piping. The motor remains in its position. If the pump unit does not have a spacer coupling, the motor has to be removed from the foundation before disassembly.

### 7.6.1 Disassembling the guard

- 1 Loosen bolts (0960). See figure 12.
- 2 Remove both jackets (0270). See figure 10.

### 7.6.2 Disassembling the Back-Pull-Out unit

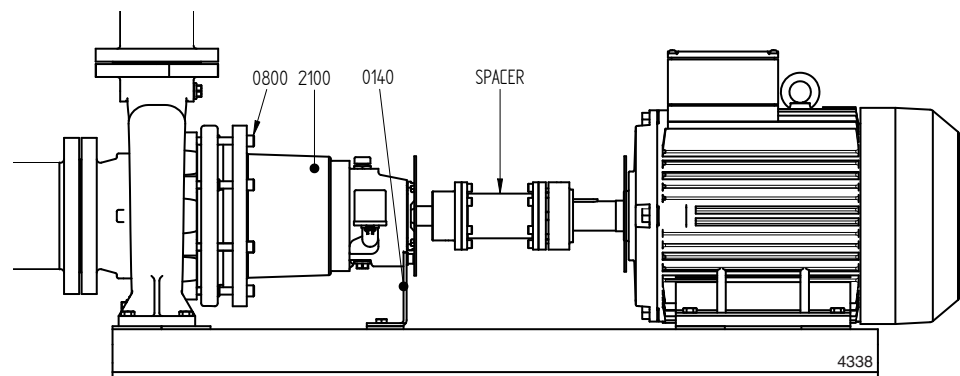


Figure 9: Back-Pull-Out principle.

- 1 Mounted with spacer coupling: Remove the spacer. Else: Remove the electric motor.
- 2 Disconnect possible liquid lines in case the pump is equipped with jackets.
- 3 Loosen the bracket support (0140) from the base plate, see figure 9.
- 4 Remove the Allen screws (0800).
- 5 Pull the entire bearing bracket (2100) from the pump casing. The entire bearing bracket of large pumps is very heavy. Support it with a beam or hang it in a pulley sling.
- 6 Remove the coupling half from the pump shaft and remove the coupling key (2210).
- 7 Unscrew bolts (0940) and remove the assembly plate (0275) from the bearing cover (2110).

### 7.6.3 Assembling the Back-Pull-Out unit

- 1 Fit a new gasket (0300) into the pump casing and fit the entire bearing bracket back into the pump casing. Tighten the Allen screws (0800) crosswise.
- 2 Fix the bearing support (0140) on the base plate.
- 3 If applicable reconnect the liquid lines to the jackets.
- 4 Fit the assembly plate (0275) to the bearing cover (2110) with bolts (0940).
- 5 Fit the coupling key (2210) and fit the coupling half onto the pump shaft.
- 6 Place the motor back in its place or fit the spacer of the spacer coupling.
- 7 Check the alignment of pump and motor shaft, see paragraph 3.4.3 "Alignment of the coupling". If necessary, realign in operating position.



**7.7 Assembling the guard**

- 1 Fit the jacket (0270) at motor side. The annular groove must be located at motor side.

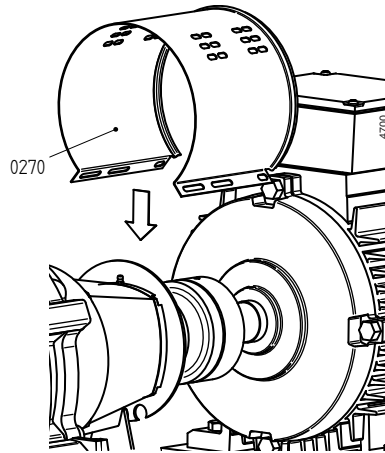


Figure 10: Fitting the jacket at motor side.

- 2 Place the assembly plate (0280) over the motor shaft and fit it into the annular groove of the jacket.

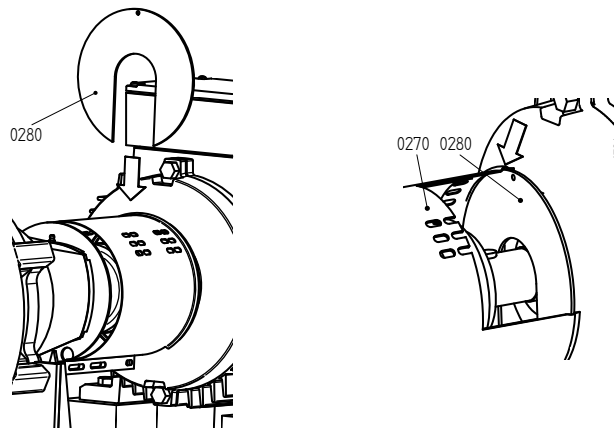


Figure 11: Fitting the assembly plate at motor side.

- 3 Close the jacket and fit bolt (0960). See figure 12.

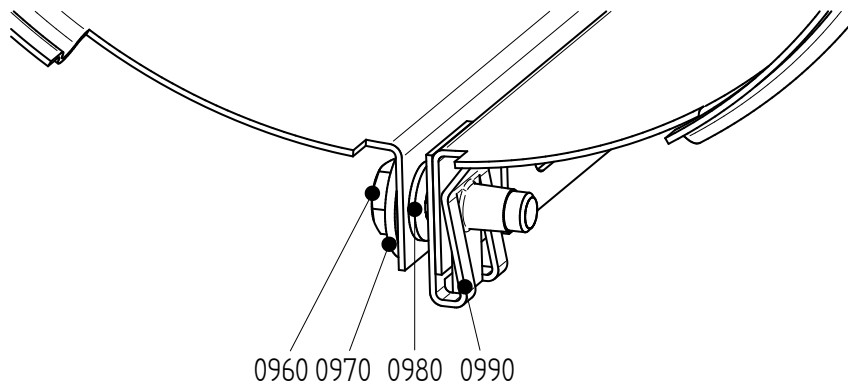


Figure 12: Fitting jacket.

- 4 Mount the jacket (0270) at pump side. Place it over the present jacket at motor side. The annular groove must be located at pump side.

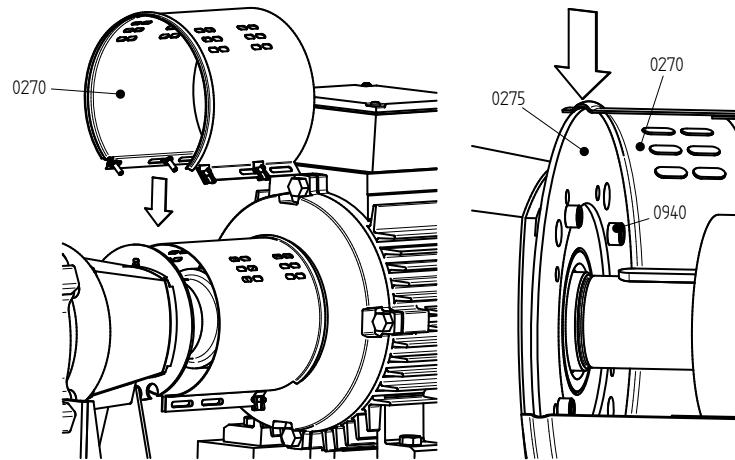


Figure 13: Fitting the jacket at pump side.

- 5 Close the jacket and fit bolt (0960). See figure 12.
- 6 Slide the jacket at motor side towards the motor as far as possible. Fix both jackets with bolt (0960).

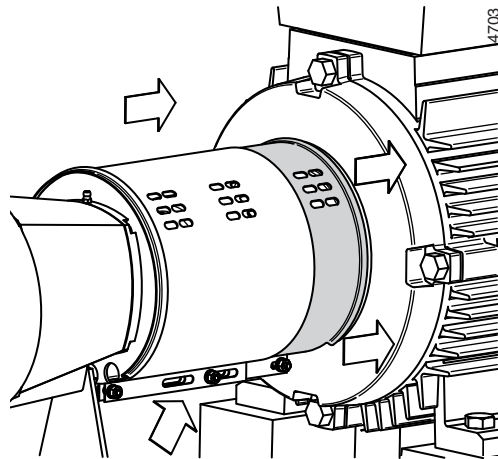


Figure 14: Adjusting the jacket at motor side.

## 7.8 Disassembling

### 7.8.1 Disassembly of the Back-Pull-Out unit

If the complete pump has been removed, first the Back-Pull-Out unit must be removed:

- 1 Place the pump vertically on a work bench, resting on the suction flange.
- 2 Screw a lifting eye (M10) into the end of the pump shaft and fix a hook or a lifting belt to it.
- 3 Remove the Allen screws (0800).
- 4 Lift the Back-Pull-Out unit off the pump casing.
- 5 Remove the gasket (0300).

### 7.8.2 Disassembly of the impeller

Subsequently the impeller must be removed to remove the inner rotor afterwards.

- 1 Place the Back-Pull-Out unit horizontally on the work bench.
- 2 Block the impeller with a screw driver and remove the cap nut (1820). It may be necessary to heat up the nut previously to break the Loctite connection.
- 3 Remove impeller (0120) using a proper puller (or wriggle the impeller loose by inserting e.g. 2 large screw drivers between the impeller and the intermediate cover (1000).
- 4 Remove the impeller key (1860).

### 7.8.3 Disassembling the bearing bracket

The bearing bracket with the outer rotor can be removed as follows:

- 1 Lower the Back-Pull-Out unit to the work bench and let it rest on the intermediate cover. The work bench top must be provided with a hole to place the shaft end into. If this is not present, have the intermediate cover rest on e.g. 2 beams.
- 2 Remove the Allen screws (0850).
- 3 Tighten both push bolts (2840) evenly and completely, in this way it will lift the bearing bracket (2100) with the outer rotor off the intermediate cover (1000) with containment can.
- 4 Once the outer rotor has come off the containment can, lift the complete bearing bracket off the intermediate cover with a hoist.
- 5 Remove the gasket (0330).
- 6 If the pump is equipped with a temperature sensor carefully remove the hose clamp by untightening screw A (figure 15). Then loosen B and remove the connection head together with the connection tube, guiding at the same time the temperature sensor from the inside through the hole.

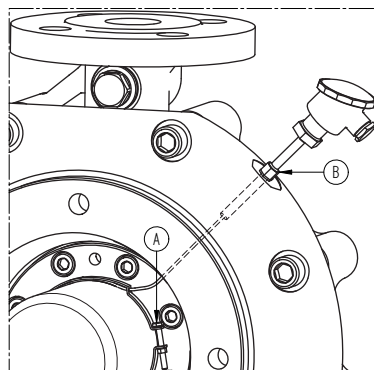


Figure 15: Inside connection of temperature sensor.

## 7.8.4 Disassembling the pump shaft with outer rotor

- 1 For MAG 75 with bearing bracket 1 and MAG 135 / 165 with bearing bracket 3:  
Loosen the bolts (2810) at the back of the bearing bracket and remove them.
- 2 For MAG 110 with bearing brackets 1 or 2 and MAG 135/165 with bearing bracket 2:  
Use a long hexagon wrench through the holes in the outer rotor base and loosen the Allen screws (2810), which fix bearing cover (2350) and remove them.  
Loosen and remove the Allen screws (2810), which fix the rear bearing cover (2110) as well.
- 3 Remove the coupling key (2210). Remove the rear bearing cover (2110) and remove the waved spring (2300) and the spacer (2290).
- 4 Press the pump shaft (2200) out of the bearing bracket in the direction of the impeller side.
- 5 Remove the outer rotor (1210) by loosening the Allen screws (2815).
- 6 Loosen the lock nut (2370) and remove the locking washer (2380).
- 7 Pull the bearings (2240 and 2250) from the pump shaft using a suitable puller.
- 8 Remove the bearing cover (2350).
- 9 Remove the gasket (2160).

## 7.8.5 Disassembling the inner rotor

- 1 Put the intermediate cover flat down. The work bench top must be provided with a hole to place the shaft end into. If this is not present, have the intermediate cover rest on e.g. 2 beams.
  - 2 Remove Allen screws (1270) and remove the containment can (1320). Remove the gasket (0230).
  - 3 Cover the jaws of the vice with copper or brass sheet to protect the shaft end and place the entire intermediate cover onto the vice and clamp the shaft end at impeller side.
  - 4 MAG 75: Remove nut (1300) and washer (1290).
  - 5 MAG 110/135/165: Remove bolt (1300), washer (1290) and disc spring (1305).
  - 6 Remove Allen screws (1280). Remove the inner rotor (1200).
- For all types:
- 7 Disassemble the axial bearing at motor side (1240). Remove key (1840).
  - 8 Release the shaft end from the vice and place the intermediate cover on one side. Pull the shaft (2450) forward out of the intermediate cover. Remove the shaft sleeve (1220).
  - 9 Put the intermediate cover flat down. Remove Allen screws (1260) and remove the entire plain bearing (1230).
  - 10 Remove the axial bearing at pump side (1250).

## 7.9 Wear ring

The play between the impeller and the wear ring is 0,3 mm to the diameter at delivery. In case the play has increased to 0,5-0,7 mm due to wear, the impeller and the wear ring should be replaced.

### 7.9.1 Disassembling the wear ring

After removing the Back-Pull-Out unit (see paragraph 7.6.2 "Disassembling the Back-Pull-Out unit") the wear ring can be removed. In most cases the ring has been fixed so tightly that it cannot be removed undamaged.

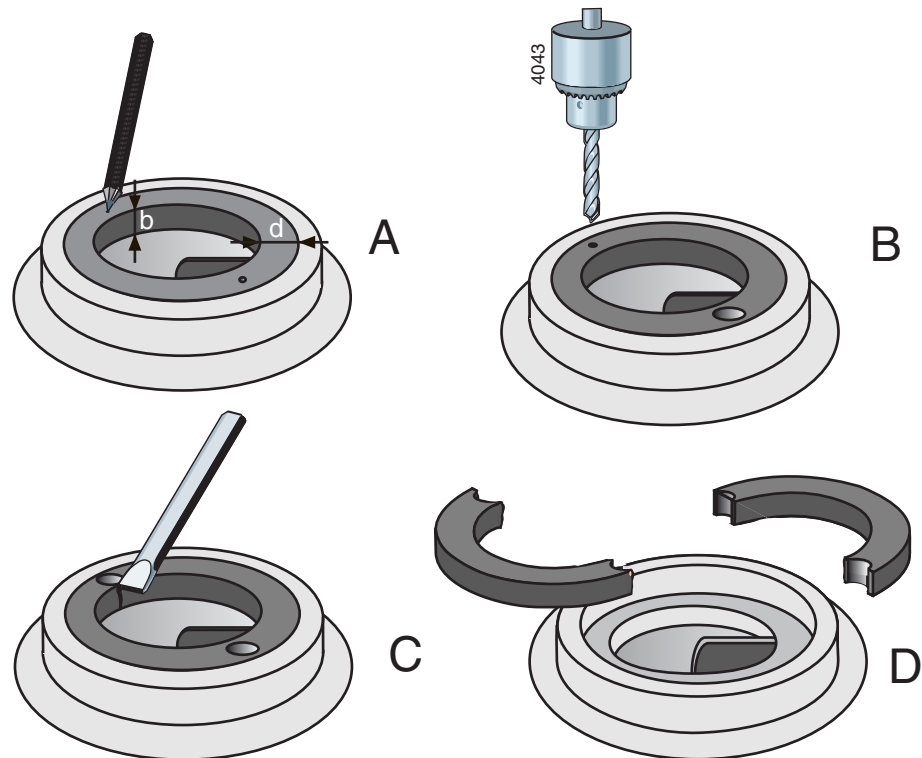


Figure 16: Removal of wear ring.

- 1 Measure the thickness (d) and the width (b) of the ring, see figure 16 A.
- 2 Make a centre hole in the middle of the edge of the ring at two opposite points, see figure 16 B.
- 3 Use a drill with a diameter just a little bit smaller than the thickness (d) of the ring and drill two holes in the ring, see figure 16 C. Don't drill deeper than the width (b) of the ring. Take care not to damage the fitting edge of the pump casing.
- 4 Use a chisel to cut the remaining part of the ring thickness. Now you can remove the ring in two parts from the pump casing, see figure 16 D.
- 5 Clean the pump casing and carefully remove all bore dust and metal splinters.

### 7.9.2 Assembling the wear ring

- 1 Clean and degrease the fitting edge of the pump casing where the wear ring is to be mounted.
- 2 Degrease the outer edge of the wear ring and put a few drops of Loctite 641 on it.
- 3 Fit the wear ring in the pump casing. **Take care it is not pushed out of alignment!**

## 7.10 Reassembly

### 7.10.1 Reassembling the pump shaft and the outer rotor

- 1 Fasten the outer rotor (1210) to the pump shaft (2200) with Allen screws (2815).
- 2 Mount the oil catcher (2120) in bearing cover (2110) and for execution L3 also the oil catcher (2150) in bearing cover (2350).
- 3 Place the bearing cover (2350) over the pump shaft (2200).
- 4 Bond the gasket (2160) to the bearing cover using a little grease.
- 5 Heat both bearings (2240 and 2250) to around 60 °C.
- 6 Mount ball bearing (2240), spacer (2280) and ball bearing (2250), in that order, onto the shaft and press the whole assembly firmly against the shaft shoulder. Let the bearings cool down.



### **When reassembling bearings, always use a NEW locking washer (2380)!**

- 7 Mount the locking washer (2380) and the lock nut (2370). Tighten the lock nut and lock it by bending a tab of the locking washer into the aperture of the lock nut.
- 8 Slightly grease the outer rings of the ball bearings and mount the complete pump shaft from the impeller side into the bearing bracket (2100).
- 9 Mount the waved ring (2300), the spacer (2290) and the rear bearing cover (2110).
- 10 *For all MAG 75 and for MAG 135 / 165 with bearing bracket 3:*  
Insert the bolts (2810) into the holes of the rear bearing cover (2110). Use a screwdriver through the holes in the outer rotor base and position the internal bearing cover (2350) to make the threaded holes correspond with the bolt studs, then screw down the bolts (2810). Tighten all bolts with the appropriate torque, see paragraph 10.5 "Tightening moments".
- 11 *For all MAG 110 and for MAG 135 / 165 with bearing bracket 2:*  
Use a long hexagon wrench through the holes in the outer rotor base and fix the internal bearing cover (2350) with Allen screws (2810).  
Fix rear bearing cover (2110) as well with Allen screws (2810). Tighten all Allen screws with the appropriate torque, see paragraph 10.5 "Tightening moments".
- 12 Mount the coupling key (2210).
- 13 Check whether the pump shaft rotates freely and constantly.

## 7.10.2 Reassembly of the inner rotor and the impeller

**Always use new gaskets for every assembly!**

- 1 Fit the impeller key (1860) into the key way at the impeller side of the impeller shaft (2450).
- 2 Fit the impeller (0120) onto the impeller shaft. Apply a few drops of Loctite 243 on the thread and fit the cap nut (1820). Tighten the cap nut with the correct torque, see paragraph 10.5 "Tightening moments".
- 3 Fit the carrier pin (1310) into the impeller shaft.
- 4 Put the impeller flat down, the shaft end pointing upwards.
- 5 Place 0,5 mm shims on the back vanes of the impeller. Place the intermediate cover (1000) over the impeller and the impeller shaft.
- 6 Fit the axial bearing at pump side (1250) onto the impeller shaft. Ensure the slot in the axial bearing corresponds with the carrier pin (1310)!
- 7 Fit the shaft sleeve (1220) onto the impeller shaft.
- 8 Fit the plain bearing (1230) onto the shaft sleeve on the intermediate cover and fit the Allen screws (1260). Tighten them crossways.

## MAG 75:

- 9 Fit the axial bearing at motor side (1240) onto the impeller shaft.
- 10 Fit the key (1840).
- 11 Fit the inner rotor (1200) to the axial bearing (1240) with Allen screws (1280). Tighten them crossways with the appropriate torque, see paragraph 10.5 "Tightening moments".
- 12 Fit the washer (1290), apply a few drops of Loctite 243 to the thread and fit the nut (1300). Tighten it with the appropriate torque, see paragraph 10.5 "Tightening moments".

## MAG 110/135/165:

- 13 Fit the key (1840).
- 14 Fit the axial bearing at motor side (1240) onto the pump shaft.
- 15 Fit the inner rotor (1200) to the axial bearing (1240) with Allen screws (1280). Tighten them crossways with the appropriate torque, see paragraph 10.5 "Tightening moments".
- 16 Fit the disc spring (1305) and the washer (1290), apply a few drops of Loctite 243 to the thread and fit the bolt (1300). Tighten it with the appropriate torque, see paragraph 10.5 "Tightening moments".

## All:

- 17 Fit a **new** gasket (0230) and place the containment can (1320) onto the intermediate cover. Fit the Allen screws (1270) and tighten them crossways with the appropriate torque, see paragraph 10.5 "Tightening moments".

**Be careful not to damage the containment can!**

- 18 Remove the shims from between the impeller and the intermediate cover.
- 19 If the pump is equipped with a temperature sensor, guide the temperature sensor from the outside through the hole and mount the connection head and tube to the intermediate cover. Then guide the temperature sensor through the hole in the hose clamp and mount the hose clamp in the position as shown in figure 15.

## 7.10.3 Mounting the bearing bracket to the intermediate cover

- 1 Let the assembly rest on the impeller, with the containment can upwards.
- 2 Place a new gasket (0330).
- 3 Ensure the push bolts (2840) are both completely screwed in the flange of the bearing bracket.
- 4 Screw a lifting eye (M10) into the end of the pump shaft and fix a hook or a lifting belt to it.
- 5 Lift the complete bearing bracket with a hoist and lower it to the intermediate cover assembly.
- 6 Centre the bearing bracket carefully over the containment can. **Be careful not to damage the containment can with the outer rotor!**



***Ensure no body parts or any objects are placed between the intermediate stage and the bearing bracket. The magnetic forces are very strong and act quite suddenly!***

- 7 Evenly loosen the push bolts (2840) and carefully lower the bearing bracket until the bearing bracket rests completely on the intermediate cover.
- 8 Fasten the bearing bracket with Allen screws (0850). Tighten them crossways with the correct torque setting, see paragraph 10.5 "Tightening moments".
- 9 Check if the pump shaft rotates freely and evenly. Only then should the pump be placed horizontally.

## 7.10.4 Inspection after reassembly

- Check, in case back vanes are present, the axial play behind the impeller. The minimum gap is 0,2 mm.
- Check the axial play of the bearing, this is  $0,25 \pm 0,1$  mm.
- Check if the impeller runs smoothly and evenly.

## 7.10.5 Mounting the Back-Pull-Out unit to the pump casing

- 1 Put the pump casing (0100) flat down, resting on the suction flange.
- 2 Place a **new** gasket (0300) into the rim of the pump casing.
- 3 Lower the Back-Pull-Out unit into the pump casing. Fit Allen screws (0800) and tighten them crossways with the prescribed torque, see paragraph 10.5 "Tightening moments".

## 7.11 Checking for leakage



**Once the entire pump unit is assembled, check it for leakage. Pressurize the pump with water at a pression of 1,5x the maximum working pressure. See paragraph 10.1 "Maximum allowable working pressures" for the appropriate pressures.**



## 8 Dimensions

### 8.1 Base plate dimensions and weights

Base plate number	[mm]									Weight [kg]
	L	B	fa	fb	fc	fd	fe	ff	fh	
1	800	305	19	6	385	433	120	560	45	20
2	1000	335	19	8	425	473	145	710	63	38
3	1250	375	24	10	485	545	175	900	80	69
4	1250	500	24	10	610	678	175	900	90	79
5	1600	480	24	10	590	658	240	1120	100	107
6	1650	600	24	10	720	788	240	1170	130	129

### 8.2 Connections

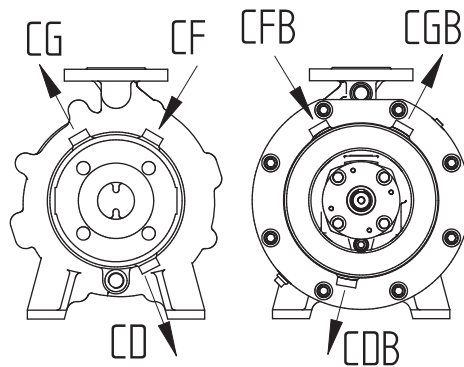


Figure 17: Connections for pump casing jacket and bearing bracket jacket.

Table 5: Connections to the pump casing jacket and bearing bracket jacket.

CF	Pump casing jacket inlet	1/2 NPT
CFB	Bearing bracket jacket inlet	1/2 NPT
CG	Pump casing jacket outlet	1/2 NPT
CGB	Bearing bracket jacket outlet	1/2 NPT
CD	Pump casing jacket drain	1/2 NPT
CDB	Bearing bracket jacket drain	1/2 NPT

Table 6: Connections to the pump.

BM	Oil drain	G 1/2
BO	Oil sight glass	G 3/4
BP	Pump casing drain	G 1/2
BS	Intermediate cover drain	G 1/4
BU	Temperature sensor connection	M8x1
BV	Oil filling plug	G 1/2
BW	Constant level oiler	G 1/4
BZ	Connection discharge flange	G 1/2

### 8.3 Flange dimensions

See figure 18.

Table 7: Flange dimensions - cast iron and nodular cast iron G, NG

ISO 7005 PN 16											
aa	ab	ac	ad	ae	af	ag	ah	ai x ak	aj x al	am	an
50	32	102	78	125	100	165	140	4 x 18	4 x 18	20	18
65	40	122	88	145	110	185	150	4 x 18	4 x 18	20	18
80	50	138	102	160	125	200	165	8 x 18	4 x 18	22	20
100	65	158	122	180	145	220	185	8 x 18	4 x 18	24	20
125	80	188	138	210	160	250	200	8 x 18	8 x 18	26	22
125	100	188	158	210	180	250	220	8 x 18	8 x 18	26	24
150	125	212	188	240	210	285	250	8 x 22	8 x 18	26	26

Table 8: Flange dimensions - stainless steel R

ISO 7005 PN 16											
aa	ab	ac	ad	ae	af	ag	ah	ai x ak	aj x al	am	an
50	32	99	76	125	100	165	140	4 x 18	4 x 18	22,5	20,5
65	40	118	84	145	110	185	150	4 x 18	4 x 18	22,5	20,5
80	50	132	99	160	125	200	165	8 x 18	4 x 18	22,5	22,5
100	65	156	118	180	145	230	185	8 x 18	4 x 18	26,5	22,5
125	80	184	132	210	160	255	200	8 x 18	8 x 18	26,7	23,1
125	100	184	156	210	180	255	230	8 x 18	8 x 18	26,5	26,9
150	125	216	186	240	210	285	255	8 x 22	8 x 18	28	27,1
200	150	270	216	295	240	345	285	12 x 22	8 x 22	32,5	32,5

Table 9: Flange dimensions - stainless steel R - ISO 7005 PN20

ISO 7005 PN20 (ASME B16.5 150 lbs RF)											
aa	ab	ac	ad	ae	af	ag	ah	ai x ak	aj x al	am	an
50	32	92	63,5	120,5	89	165	140	4 x 18	4 x 16	22,5	20,5
65	40	105	73	139,5	98,5	185	150	4 x 18	4 x 16	22,5	20,5
80	50	127	92	152,5	120,5	200	165	4 x 18	4 x 18	22,5	22,5
100	65	157,5	105	190,5	139,5	230	185	8 x 18	4 x 18	26,5	22,5
125	80	186	127	216	152,5	255	200	8 x 22	4 x 18	26,7	23,1
125	100	184	156	216	190,5	255	230	8 x 22	8 x 18	26,5	26,9
150	125	216	186	241,5	216	285	255	8 x 22	8 x 22	28	27,1
200	150	270	216	298,5	241,5	345	285	8 x 22	8 x 22	32,5	32,5

**8.4 Pump dimensions**

8.4.1 Dimensions print

Cast iron	G	ISO 7005 PN16
Nodular cast iron	NG	ISO 7005 PN16
Stainless steel	R6/R6A	ISO 7005 PN16
Stainless steel	R6/R6A	ISO 7005 PN20 (ASME B16.5 150 lbs)

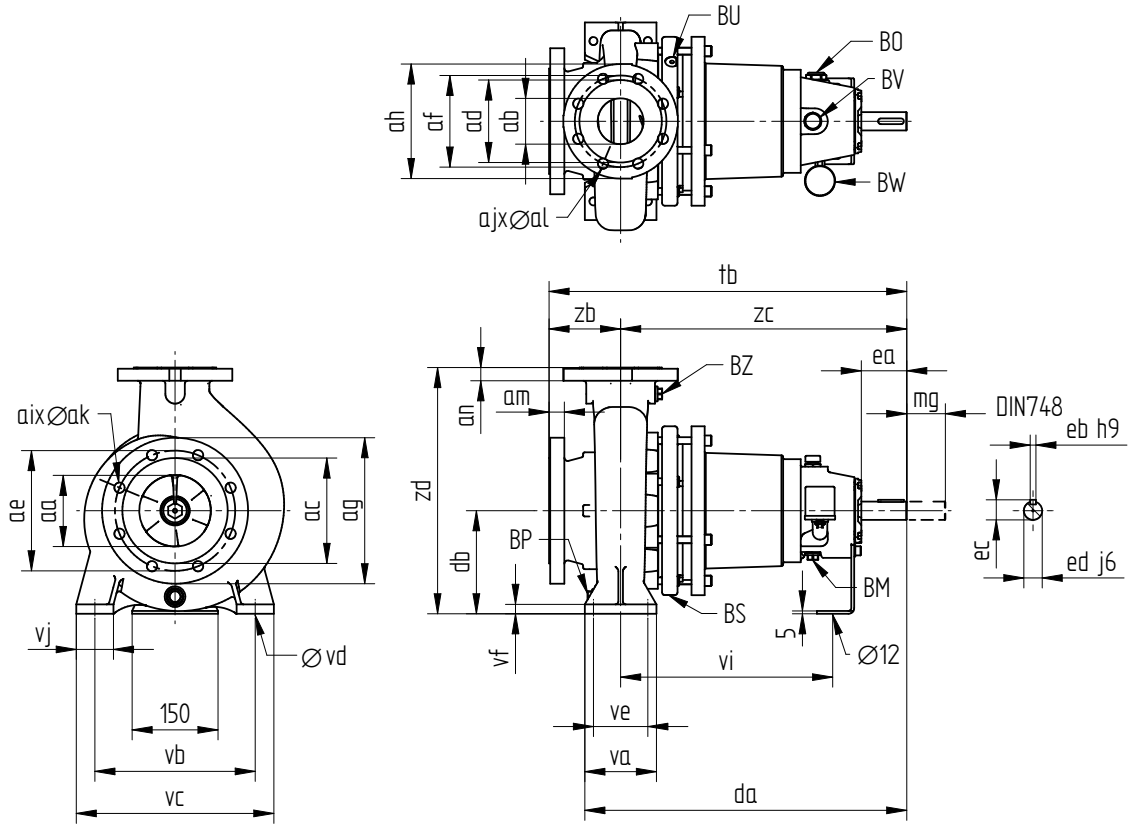


Figure 18: Pump dimensions.

## 8.4.2 Pump dimensions

CM	aa	ab	da	db	ea	eb	ec	ed	mg	tb	va	vb	vc	vd	ve	vf*	vf**	vi	vj	zb	zc	zd
32-125	50	32	435	112	50	8	27	24	100	465	100	140	190	14	70	10	14	268	50	80	385	252
32C-125			435	112	50	8	27	24	100	465	100	140	190	14	70	10	14	268	50	80	385	252
32-160			435	132	50	8	27	24	100	465	100	190	240	14	70	12	14	268	50	80	385	292
32A-160			435	132	50	8	27	24	100	465	100	190	240	14	70	12	14	268	50	80	385	292
32C-160			435	132	50	8	27	24	100	465	100	190	240	14	70	12	14	268	50	80	385	292
32-200			435	160	50	8	27	24	100	465	100	190	240	14	70	12	14	268	50	80	385	340
32C-200			435	160	50	8	27	24	100	465	100	190	240	14	70	12	14	268	50	80	385	340
32-250			563	180	80	10	35	32	100	600	125	250	320	14	95	14	16	346	65	100	500	405
40C-125	65	40	435	112	50	8	27	24	100	465	100	160	210	14	70	10	14	268	50	80	385	252
40C-160			435	132	50	8	27	24	100	465	100	190	240	14	70	12	14	268	50	80	385	292
40C-200			435	160	50	8	27	24	100	485	100	212	265	14	70	12	14	268	50	100	385	340
40-250			563	180	80	10	35	32	100	600	125	250	320	14	95	14	16	346	65	100	500	405
40A-315			563	200	80	10	35	32	100	625	125	280	345	14	95	14	14	346	65	125	500	450
50C-125	80	50	435	132	50	8	27	24	100	485	100	190	240	14	70	10	12	268	50	100	385	292
50C-160			435	160	50	8	27	24	100	485	100	212	265	14	70	12	14	268	50	100	385	340
50C-200			435	160	50	8	27	24	100	485	100	212	265	14	70	12	14	268	50	100	385	360
50-250			563	180	80	10	35	32	100	625	125	250	320	14	95	14	16	346	65	125	500	405
50-315			563	225	80	10	35	32	100	625	125	280	345	14	95	15	15	346	65	125	500	505
65C-125	100	65	448	160	50	8	27	24	100	485	125	212	280	14	95	10	15	268	65	100	385	340
65C-160			563	160	80	10	35	32	100	600	125	212	280	14	95	12	14	346	65	100	500	360
65C-200			563	180	80	10	35	32	140	600	125	250	320	14	95	14	16	346	65	100	500	405
65A-250			580	200	80	10	35	32	140	625	160	280	360	18	120	14	16	346	80	125	500	450
65-315			610	225	100	12	45	42	140	655	160	315	400	18	120	16	16	368	80	125	530	505
80C-160	125	80	563	180	80	10	35	32	140	625	125	250	320	14	95	14	16	346	65	125	500	405
80C-200			563	180	80	10	35	32	140	625	125	280	345	14	95	14	16	346	65	125	500	430
80-250			580	225	80	10	35	32	140	625	160	315	400	18	120	15	18	346	80	125	500	505
80A-250			580	225	80	10	35	32	140	625	160	315	400	18	120	15	18	346	80	125	500	505
80-315			610	250	110	12	45	42	140	655	160	315	400	18	120	16	16	368	80	125	530	565
80-400			610	280	110	12	45	42	140	655	160	355	435	18	120	18	18	368	80	125	530	635
100C-200	125	100	580	200	80	10	35	32	140	625	160	280	360	18	120	15	15	346	80	125	500	480
100C-250			610	225	110	12	45	42	140	670	160	315	400	18	120	16	16	368	80	140	530	505
100-315			610	250	110	12	45	42	140	670	160	315	400	18	120	18	18	368	80	140	530	565
100-400			630	280	110	12	45	42	140	670	200	400	500	22	180	20	20	368	100	140	530	635
125-250	150	125	610	250	110	12	45	42	140	670	160	315	400	18	120	28	28	368	80	140	530	605
125-315			630	280	110	12	45	42	140	670	200	400	500	22	150	20	20	368	100	140	530	635
125-400			630	315	110	12	45	42	140	670	200	400	500	22	150	20	20	368	100	140	530	715
150-400	200	150	630	315	110	12	45	42	140	690	200	450	550	23	150	22	22	368	160	160	530	765

\* cast iron and nodular cast iron

\*\* stainless steel and stainless steel ISO 7005 PN10/PN20 (ASME B16.5 150 lbs)

8.5 Pump-motor unit with standard coupling

8.5.1 Dimensions print

Cast iron	G	ISO 7005 PN16
Nodular cast iron	NG	ISO 7005 PN16
Stainless steel	R6/R6A	ISO 7005 PN16
Stainless steel	R6/R6A	ISO 7005 PN20 (ASME B16.5 150 lbs)

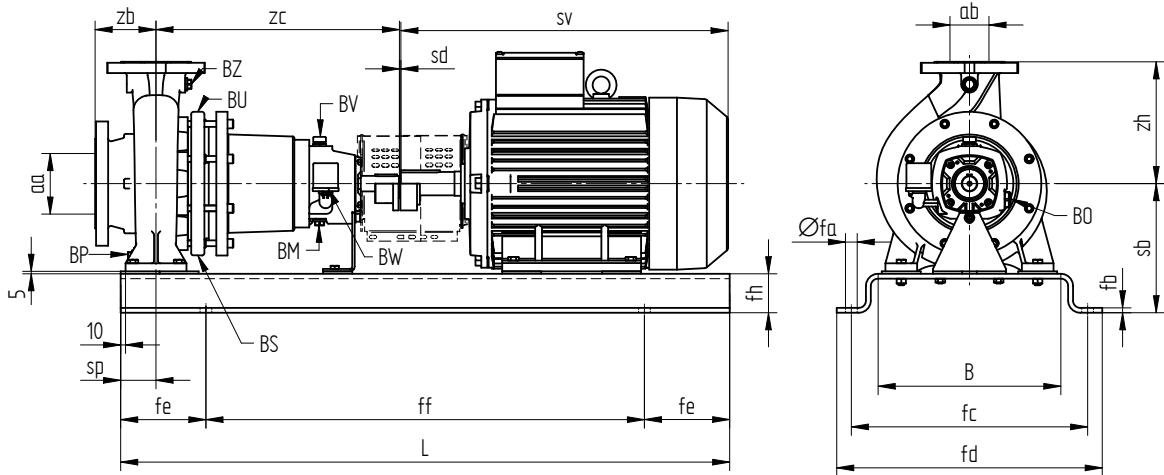


Figure 19: Pump-motor unit with standard coupling

8.5.2 Dimensions

Type CM	ISO 7005 PN16 PN20	IEC Motor IP55																						
		80	90 S	90 L	100 L	112 M	132 S	132 M	160 M	160 L	180 M	180 L	200 L	225 S	225 M	250 M	280 S	280 M						
		sv(*)																						
		aa	ab	sp	zb	zc	zh	296	336	348	402	432	486	520	652	672	712	742	790	904	904	1014	1124	1176
32-125	50	32	60	80	385	140	sb	162	162	162	162	162	200											
							x	1	1	1	1	1	2											
32C-125	50	32	60	80	385	140	sb	162	162	162	162	162	200											
							x	1	1	1	1	1	2											
32-160	50	32	60	80	385	160	sb	182	182	182	182	182	200											
							x	1	1	1	1	1	2											
32A-160	50	32	60	80	385	160	sb	182	182	182	182	182	200											
							x	1	1	1	1	1	2											
32C-160	50	32	60	80	385	160	sb	182	182	182	182	182	200											
							x	1	1	1	1	1	2											
32-200	50	32	60	80	385	180	sb	210	210	210	210	210	228	228										
							x	1	1	1	1	1	2	2										
32C-200	50	32	60	80	385	180	sb	210	210	210	210	210	228	228										
							x	1	1	1	1	1	2	2										
32-250	50	32	72	100	500	225	sb	248	248	248	248	248	248	265	265	265		295						
							x	2	2	2	2	2	2	3	3	3	4							

Type CM	ISO 7005 PN16 PN20		IEC Motor IP55																					
			80	90 S	90 L	100 L	112 M	132 S	132 M	160 M	160 L	180 M	180 L	200 L	225 S	225 M	250 M	280 S	280 M					
			sv(*)																					
			aa	ab	sp	zb	zc	zh	296	336	348	402	432	486	520	652	672	712	742	790	904	904	1014	1124
40C-125			60	80	385	140	sb	162	162	162	162	162	200											
							x	1	1	1	1	1	2											
40C-160			60	80	385	160	sb	182	182	182	182	182	200		228									
							x	1	1	1	1	1	2		2									
40C-200	65	40	60	100	385	180	sb	210	210	210	210	210	228		228									
							x	1	1	1	1	1	2		2									
40-250			72	100	500	225	sb	248	248	248	248	248	248		265	265	265		295					
							x	2	2	2	2	2	2		3	3	3		4					
40A-315			72	125	500	250	sb			285	285	285	285	285	285	285	285		295		320	385	415	
							x			3	3	3	3	3	3	3	3	3		4		4	6	6
50C-125			60	100	385	160	sb	182	182	182	182	182	200		228									
							x	1	1	1	1	1	2		2									
50C-160			60	100	385	180	sb	210	210	210	210	210	228		228									
							x	1	1	1	1	1	2		2									
50C-200	80	50	60	100	385	200	sb	210	210	210	210	210	228		228	228	265		295					
							x	1	1	1	1	1	2		2	2	3		4					
50-250			72	125	500	225	sb	248	248	248	248	248	248		265	265	265		295		320			
							x	2	2	2	2	2	2		3	3	3		4		4			
50-315			72	125	500	280	sb			310	310	310	310	310	310	310	310		320		320	385	415	
							x			3	3	3	3	3	3	3	3	3		4		4	6	6
65C-125			72	100	385	180	sb	210	210	210	210	210	228		228									
							x	1	1	1	1	1	2		2									
65C-160			72	100	500	200	sb	228	228	228	228	228	228		245	245	265		295					
							x	2	2	2	2	2	2		3	3	3		4					
65C-200	100	65	72	100	500	225	sb	248	248	248	248	248	248		265	265	265		295					
							x	2	2	2	2	2	2		3	3	3		4					
65A-250			90	125	500	250	sb		285	285	285	285	285	285	285	285	285	285	285	295				
							x		3	3	3	3	3	3	3	3	3	3	3	3	4			
65-315			90	125	530	280	sb			320	320	320	320	320	320	320	320	320	320	320	330	385	415	415
							x			4	4	4	4	4	4	4	4	4	4	4	4	5	6	6
80C-160			72	125	500	225	sb		248	248	248	248	248		265	265	265		295					
							x		2	2	2	2	2		3	3	3		4					
80C-200			72	125	500	250	sb		265	265	265	265	265	265	265	265	265		295		320	385	415	
							x		3	3	3	3	3	3	3	3	3	3		4		4	6	6
80-250			90	125	500	280	sb		320	320	320	320	320	320	320	320	320		320		320	385	415	
							x		4	4	4	4	4	4	4	4	4	4		4		4	6	6
80A-250	125	80	90	125	500	280	sb		320	320	320	320	320	320	320	320	320		320		320	385	415	
							x		4	4	4	4	4	4	4	4	4	4		4		4	6	6
80-315			90	125	530	315	sb				345	345	345	345	345	345	345	345	345	345	355	385	415	415
							x				4	4	4	4	4	4	4	4	4	4	4	5	6	6
80-400			90	125	530	355	sb						375	375	375	375	375	375	375	385				
							x							3	3	3	3	3	3	3	5			

Type CM	ISO 7005 PN16 PN20		IEC Motor IP55																							
			80	90 S	90 L	100 L	112 M	132 S	132 M	160 M	160 L	180 M	180 L	200 L	225 S	225 M	250 M	280 S	280 M							
			sv(*)																							
			296	336	348	402	432	486	520	652	672	712	742	790	904	904	1014	1124	1176							
aa	ab	sp	zb	zc	zh																					
100C-200	125	100	90	125	500	280	sb				285	285	285	285	285	285	285	285	295		320	385	415			
							x				3	3	3	3	3	3	3	3	3	4		4	6	6		
100C-250			90	140	530	280	sb				320	320	320	320	320	320	320	320	320	320		330	385	415	415	
							x				4	4	4	4	4	4	4	4	4	4	4		5	6	6	6
100-315			90	140	530	315	sb				345	345	345	345	345	345	345	345	345	345	355	355	385	415	415	
							x				4	4	4	4	4	4	4	4	4	4	5	5	6	6	6	
100-400	110	140	530	355	sb					375	375	375	375	375	375	375	375	375	415	415	415					
					x					4	4	4	4	4	4	4	4	4	6	6	6					
125-250	150	125	90	140	530	355	sb				345	345	345	345	345	345	345	345	345		355	385	415	415		
							x				4	4	4	4	4	4	4	4	4	4		5	6	6	6	
125-315			110	140	530	355	sb					375	375	375	375	375	375	375	375	375	415	415	415			
							x					4	4	4	4	4	4	4	4	4	6	6	6			
125-400			110	140	530	400	sb						410	410	410	410	410	410	410	410	450	450	450	450		
							x						4	4	4	4	4	4	4	4	6	6	6	6		
150-400	200	150	110	160	530	450	sb												445	445	445	445	445	445		
							x												6	6	6	6	6	6		

x = base plate number

(\*): Motor length based on DIN 42673, could be different due to applied motor make.

## 8.6 Pump-motor unit with spacer coupling

### 8.6.1 Dimensions print

Cast iron	G	ISO 7005 PN16
Nodular cast iron	NG	ISO 7005 PN16
Stainless steel	R6/R6A	ISO 7005 PN16
Stainless steel	R6/R6A	ISO 7005 PN20 (ASME B16.5 150 lbs)

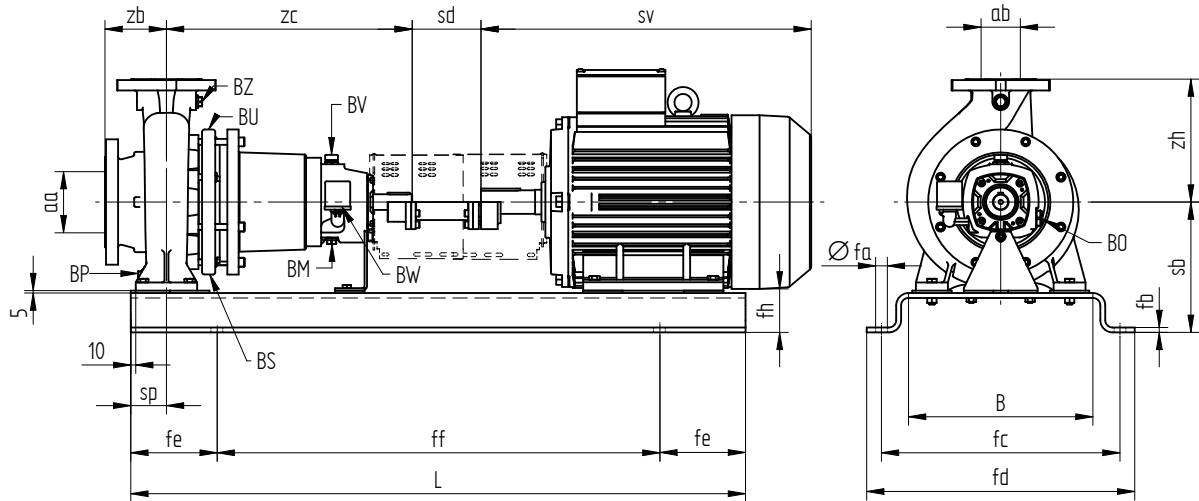


Figure 20: Pump-motor unit with spacer-coupling.

### 8.6.2 Dimensions

Type CM	ISO 7005 PN16 PN20		IEC Motor IP55																								
			80	90	90	100	112	132	132	160	160	180	180	200	225	225	250	280	280								
				S	L	L	M	S	M	M	L	M	L	L	S	M	M	S	M								
				s_v(*)																							
aa	ab	s_d	s_p	z_b	z_c	z_h	sb	296	336	348	402	432	486	520	652	672	712	742	790	904	904	1014	1124	1176			
32-125	50	32	100	60	80	385	140	sb	162	162	180	180	180	180													
								x	1	1	2	2	2	2													
32C-125								sb	162	162	180	180	180	180													
								x	1	1	2	2	2	2													
32-160								sb	182	182	200	200	200	200													
								x	1	1	2	2	2	2													
32A-160								sb	182	182	200	200	200	200													
								x	1	1	2	2	2	2													
32C-160								sb	182	182	200	200	200	200													
								x	1	1	2	2	2	2													
32-200								sb	210	210	228	228	228	228		245											
								x	1	1	2	2	2	2		3											
32C-200								sb	210	210	228	228	228	228		245											
								x	1	1	2	2	2	2		3											
32-250								sb	248	248	248	248	248	265		265	265	265		305							
								x	2	2	2	2	2	3		3	3	3		5							



Type CM	ISO 7005 PN16 PN20		IEC Motor IP55																								
			80	90 S	90 L	100 L	112 M	132 S	132 M	160 M	160 L	180 M	180 L	200 L	225 S	225 M	250 M	280 S	280 M								
			sv(*)																								
			aa	ab	sd	sp	zb	zc	zh	296	336	348	402	432	486	520	652	672	712	742	790	904	904	1014	1124	1176	
40C-125	65	40	100	60	80	385	140	sb	162	162	180	180	180	180													
								x	1	1	2	2	2	2													
40C-160					100	60	80	385	160	sb	182	182	200	200	200	200	245										
										x	1	1	2	2	2	2	3										
40C-200					100	60	100	385	180	sb	210	210	228	228	228	228	245										
										x	1	1	2	2	2	2	3										
40-250			100	72	100	500	225	sb	248	248	248	248	248	265	265	265	265	305									
								x	2	2	2	2	2	3	3	3	3	5									
40A-315			100	72	125	500	250	sb			285	285	285	285	285	285	285	305	330	385	415						
								x			3	3	3	3	3	3	3	3	5	6	6						
50C-125	80	50	100	60	100	385	160	sb	182	182	200	200	200	200	245												
									x	1	1	2	2	2	2	3											
50C-160					100	60	100	385	180	sb	210	210	228	228	228	228	245										
										x	1	1	2	2	2	2	3										
50C-200					100	60	100	385	200	sb	210	210	228	228	228	228	245	245	265	295							
										x	1	1	2	2	2	2	3	3	3	4							
50-250			100	72	125	500	225	sb	248	248	248	248	248	265	265	265	265	305	330								
								x	2	2	2	2	2	3	3	3	3	5	5								
50-315			100	72	125	500	280	sb			310	310	310	310	310	310	310	330	330	385	415						
								x			3	3	3	3	3	3	3	5	5	6	6						
65C-125	100	65	100	72	100	385	180	sb	210	228	228	228	228	228	245												
									x	1	2	2	2	2	2	3											
65C-160					100	72	100	500	200	sb	228	228	228	228	228	245	245	245	265	305							
										x	2	2	2	2	2	3	3	3	3	5							
65C-200					140	72	100	500	225	sb	248	248	248	265	265	265	265	265	265	305							
										x	2	2	2	3	3	3	3	3	3	5							
65A-250			140	90	125	500	250	sb		285	285	285	285	285	285	305	305	305	305	330							
								x		3	3	3	3	3	3	5	5	5	5	5							
65-315			140	90	125	530	280	sb			320	320	320	320	320	320	330	330	330	330	385	415	415				
								x			4	4	4	4	4	4	5	5	5	5	6	6	6				
80C-160	125	80	140	72	125	500	225	sb	248	248	265	265	265	265	265	265	265	305									
									x	2	2	3	3	3	3	3	3	3	5								
80C-200					140	72	125	500	250	sb	265	265	265	265	265	265	265	265	265	305	330	385	415				
										x	3	3	3	3	3	3	3	3	3	5	5	6	6				
80-250					140	90	125	500	280	sb	320	320	320	320	320	320	320	320	330	330	330	385	415				
										x	4	4	4	4	4	4	4	4	5	5	5	6	6				
80A-250			140	90	125	500	280	sb	320	320	320	320	320	320	320	320	330	330	330	385	415						
								x	4	4	4	4	4	4	4	4	5	5	5	6	6						
80-315			140	90	125	530	315	sb			345	345	345	345	345	355	355	355	355	355	385	415	415				
								x			4	4	4	4	4	5	5	5	5	6	6						
80-400			140	90	125	530	355	sb				375	375	375	385	385	385	385	385	385							
								x				4	4	4	5	5	5	5	5	6	6						
100C-200	125	100	140	90	125	500	280	sb			285	285	285	285	285	305	305	305	305	385	415						
									x			3	3	3	3	3	5	5	5	5	6	6					
100C-250					140	90	140	530	280	sb			320	320	320	320	320	330	330	330	330	385	415	415			
										x			4	4	4	4	4	5	5	5	5	6	6	6			
100-315					140	90	140	530	315	sb			345	345	345	345	355	355	355	355	355	385	415	415			
										x			4	4	4	4	5	5	5	5	5	6	6	6			
100-400			140	110	140	530	355	sb				375	375	415	415	415	415	415	415	415	415						
								x				4	4	6	6	6	6	6	6	6	6						

Type CM	ISO 7005 PN16 PN20		IEC Motor IP55																								
			80	90 S	90 L	100 L	112 M	132 S	132 M	160 M	160 L	180 M	180 L	200 L	225 S	225 M	250 M	280 S	280 M								
			sv(*)																								
			296	336	348	402	432	486	520	652	672	712	742	790	904	904	1014	1124	1176								
125-250	150	125	140	90	140	530	355	sb				345	345	345	345	345	355	355	355	355		355	385	415	415		
							x						4	4	4	4	4	5	5	5	5		5	6	6	6	
125-315			140	110	140	530	355	sb						375	375	415	415	415	415	415	415	415	415	415	415		
								x						4	4	6	6	6	6	6	6	6	6	6	6		
125-400	200	150	140	110	140	530	400	sb							410	450	450	450	450	450	450	450	450	450	450	450	
								x								4	6	6	6	6	6	6	6	6	6	6	
150-400			140	110	160	530	450	sb										450	450	450	450	450	450	450	450	450	
								x										6	6	6	6	6	6	6	6	6	6

x = base plate number

(\*): Motor length based on DIN 42673, could be different due to applied motor make.

## 9 Parts

### 9.1 Ordering parts

#### 9.1.1 Order form

You can use the order form included in this manual for ordering parts.

When ordering parts always quote the following data:

- 1 Your **address**.
- 2 The **quantity, the item Quantity and the description** of the part.
- 3 The **pump Quantity**. The pump Quantity is stated on the label on the cover of this manual and on the type plate of the pump.
- 4 In the event of different electric motor voltage you should state the correct voltage.

#### 9.1.2 Recommended spare parts

Parts marked with a \* are recommended spare parts.

## 9.2 Pump with MAG 75

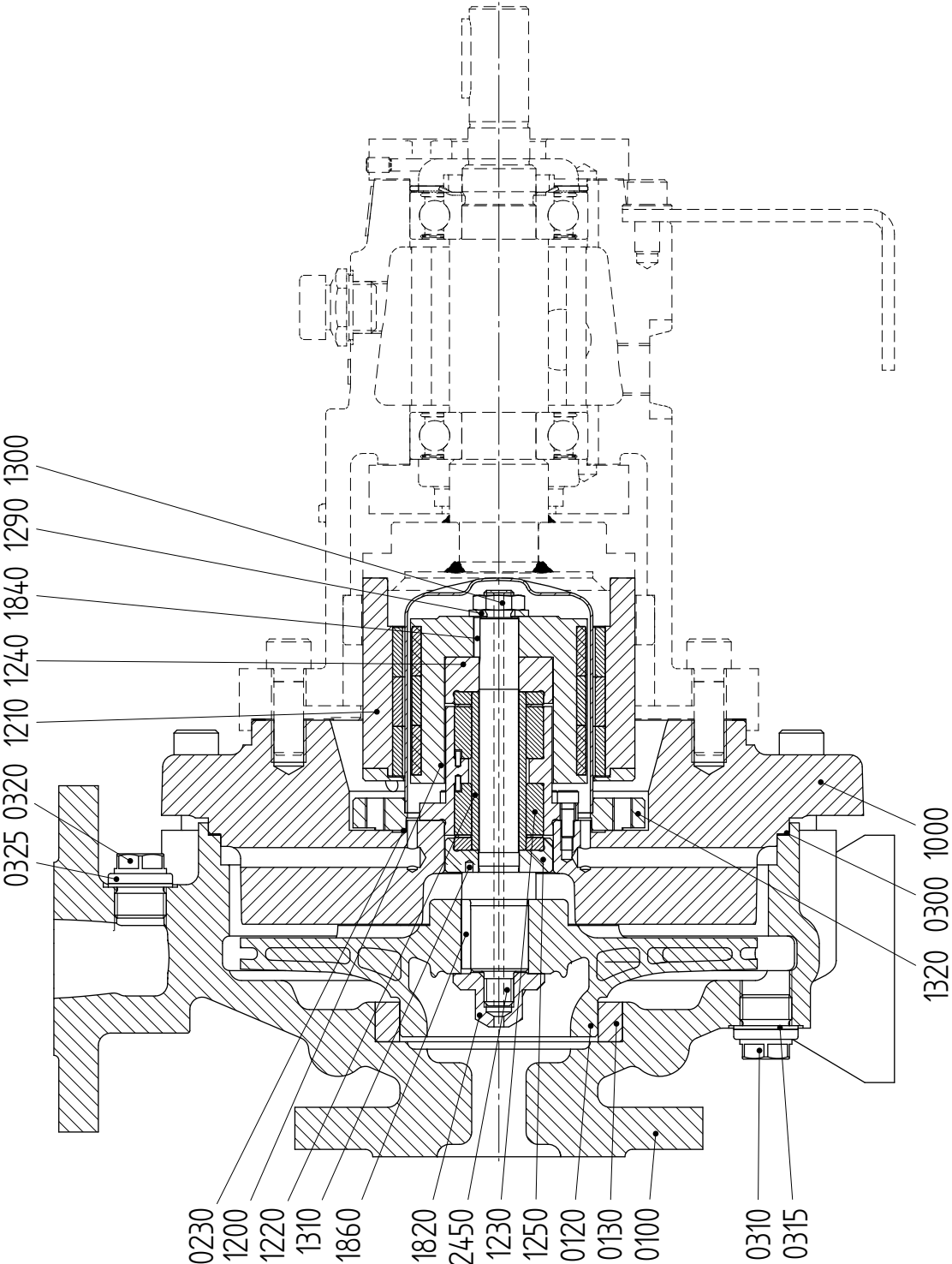


Figure 21: Sectional drawing pump.

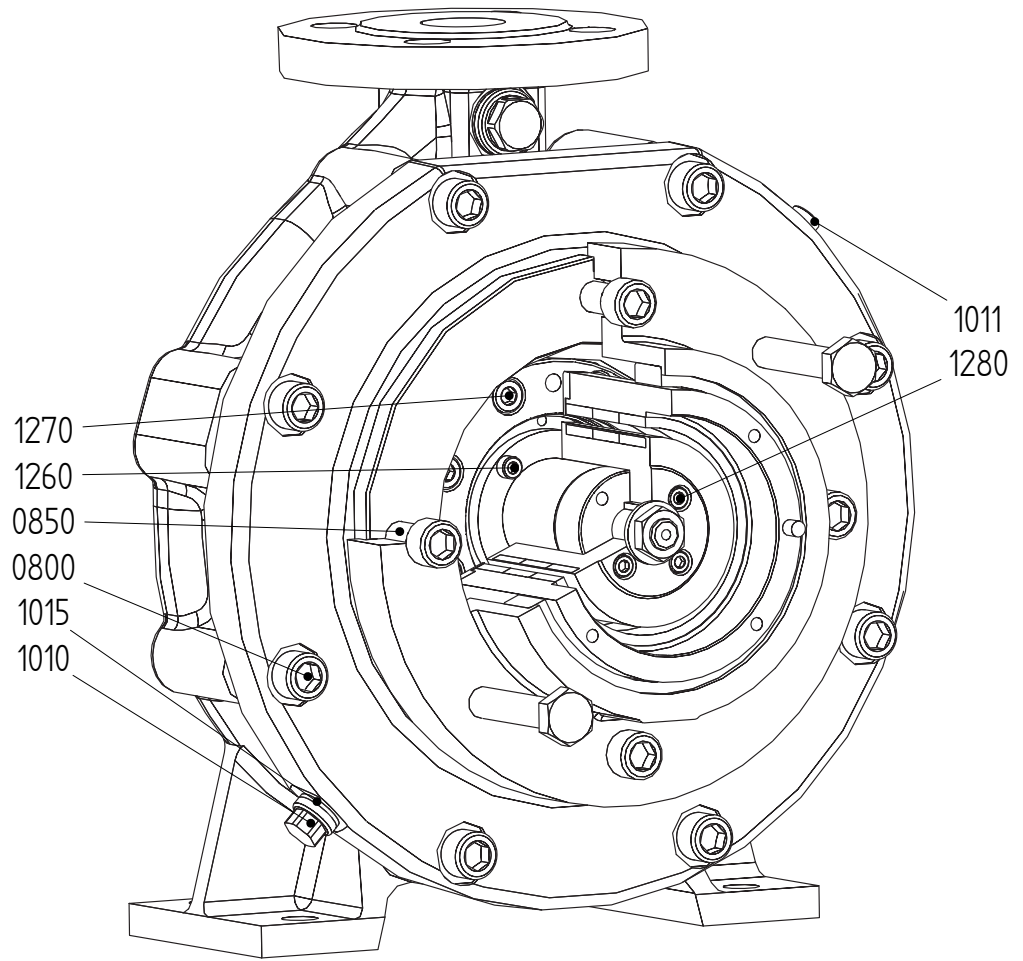


Figure 22: Magnetic coupling.

## 9.2.1 Parts list pump with MAG 75

Item	Quantity	Description	Materials		
			G	NG	R6
0100	1	pump casing	cast iron		nodular c.i. st.st.
0120*	1	impeller	c.i.	bronze	c.i. bronze st.st.
0130*	1	wear ring	c.i.	bronze	c.i. bronze st.st.
0230*	1	gasket	--		
0300*	1	gasket	--		
0310	1	plug	steel		st.st.
0315	1	sealing ring	copper		gylon
0320	1	plug	steel		st.st.
0325	1	sealing ring	copper		gylon
0800	1)	Allen screw	stainless steel		
0850	4	Allen screw	stainless steel		
1000	1	intermediate cover	nodular c.i.		st.st.
1010	1	plug	stainless steel		
1011	1	plug / temperature sensor	stainless steel / --		
1015	1	sealing ring	gylon		
1820*	1	cap nut	stainless steel		
1840	1	key	stainless steel		
1860*	1	key	stainless steel		
2450	1	impeller shaft	stainless steel		

c.i. = cast iron st.st. = stainless steel

1) Quantity depending on pump type 4 or 8

## 9.2.2 Parts list complete magnetic coupling MAG 75

Item	Quantity	Description	Materials
1200	1	inner rotor	stainless steel
1210	1	outer rotor	steel
1220	1	shaft sleeve	silicon-carbide
1230	1	plain bearing	silicon-carbide / stainless steel
1240	1	axial bearing, motor side	silicon-carbide / stainless steel
1250	1	axial bearing, pump side	silicon-carbide / stainless steel
1260	5	Allen screw	stainless steel
1270	8	Allen screw	stainless steel
1280**	4	Allen screw	stainless steel
1290	1	washer	stainless steel
1300	1	nut	stainless steel
1310**	1	carrier pin	stainless steel
1320	1	containment can	--

\*\* Part of complete delivery

9.3 Pump with MAG 110 / MAG 135 / MAG 165

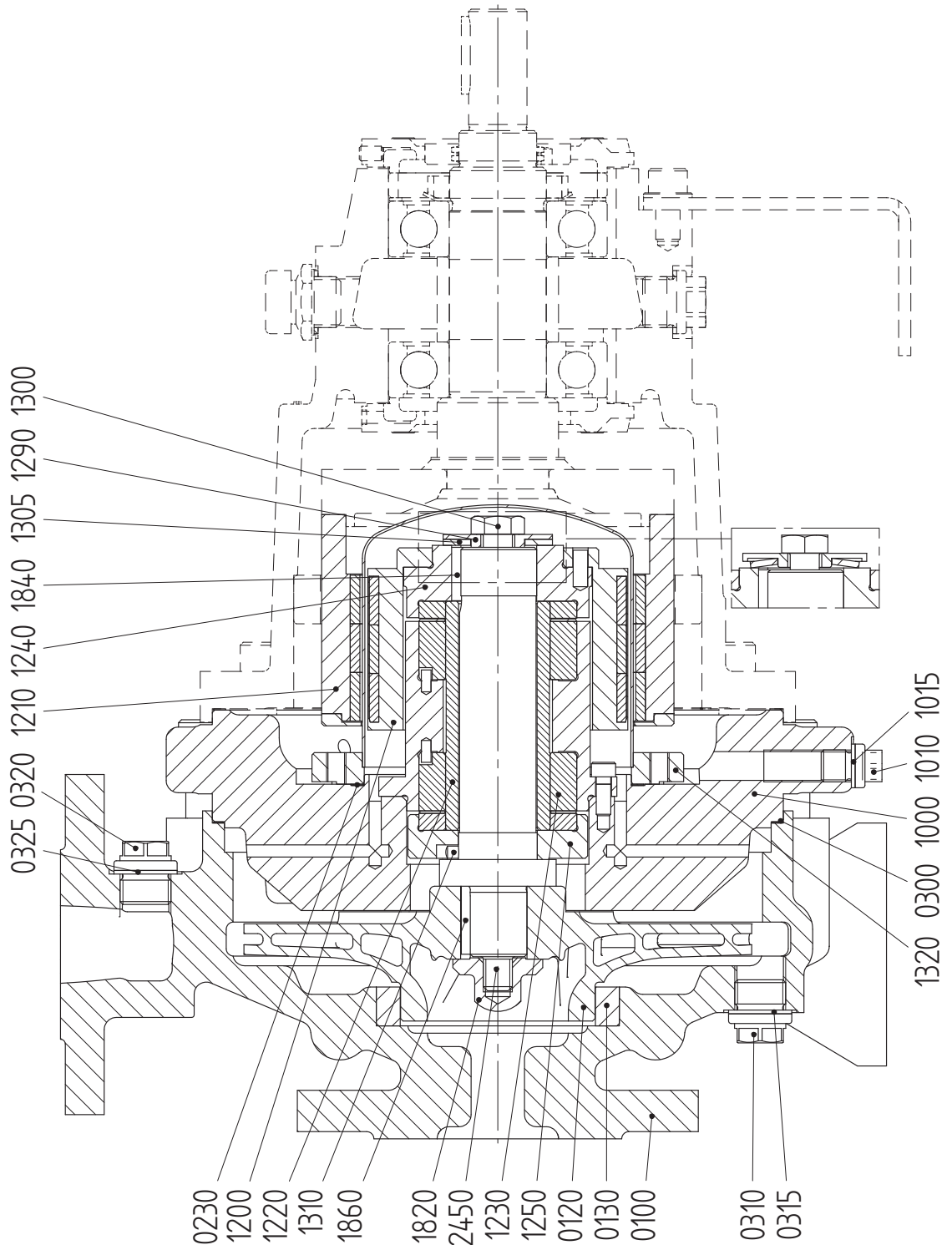


Figure 23: Sectional drawing pump.

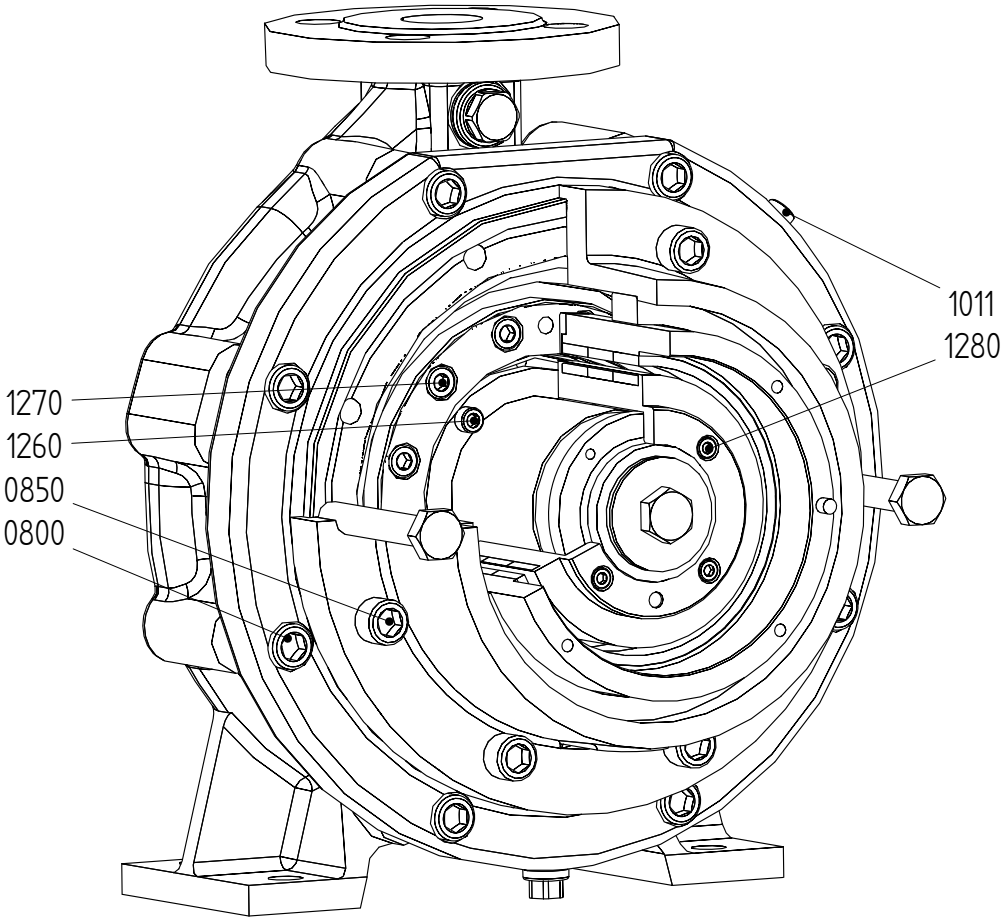


Figure 24: Magnetic coupling.



## 9.3.1 Parts list pump with MAG 110 / MAG 135 / MAG 165

Item	Quantity	Description	Materials		
			G	NG	R6
0100	1	pump casing	cast iron		nodular c.i. st.st.
0120*	1	impeller	c.i.	bronze	c.i. bronze st.st.
0130*	1	wear ring	c.i.	bronze	c.i. bronze st.st.
0230*	1	gasket	--		
0300*	1	gasket	--		
0310	1	plug	steel		st.st.
0315	1	sealing ring	copper		gylon
0320	1	plug	steel		st.st.
0325	1	sealing ring	copper		gylon
0800	1)	Allen screw	stainless steel		
0850	2)	Allen screw	stainless steel		
1000	1	intermediate cover	nodular c.i.		st.st.
1010	1	plug	stainless steel		
1011	1	plug / temperature sensor	stainless steel / --		
1015	1	sealing ring	gylon		
1820*	1	cap nut	stainless steel		
1840	3)	key	stainless steel		
1860*	1	key	stainless steel		
2450	1	impeller shaft	stainless steel		

c.i. = cast iron st.st. = stainless steel

1) Quantity depending on pump type 4, 8 or 12

2) Quantity depending on pump type 4, 8 or 12

3) MAG110: 1, MAG135: 1, MAG165: 2

## 9.3.2 Parts list complete magnetic coupling MAG 110 / MAG 135 / MAG 165

Item	Quantity	Description	Materials
1200	1	inner rotor	stainless steel
1210	1	outer rotor	steel
1220	1	shaft sleeve	silicon-carbide
1230	1	plain bearing	silicon-carbide / stainless steel
1240	1	axial bearing, motor side	silicon-carbide / stainless steel
1250	1	axial bearing, pump side	silicon-carbide / stainless steel
1260	5	Allen screw	stainless steel
1270	1)	Allen screw	stainless steel
1280**	4	Allen screw	stainless steel
1290	1	washer	stainless steel
1300	1	bolt	stainless steel
1305	1	disc spring	stainless steel
1310	1	carrier pin	stainless steel
1320	1	containment can	--

1) MAG110: 12, MAG135: 16, MAG165: 12

\*\* Part of complete delivery

**9.4 Roller bearing L1 grease lubricated, MAG 75**

9.4.1 Sectional drawing

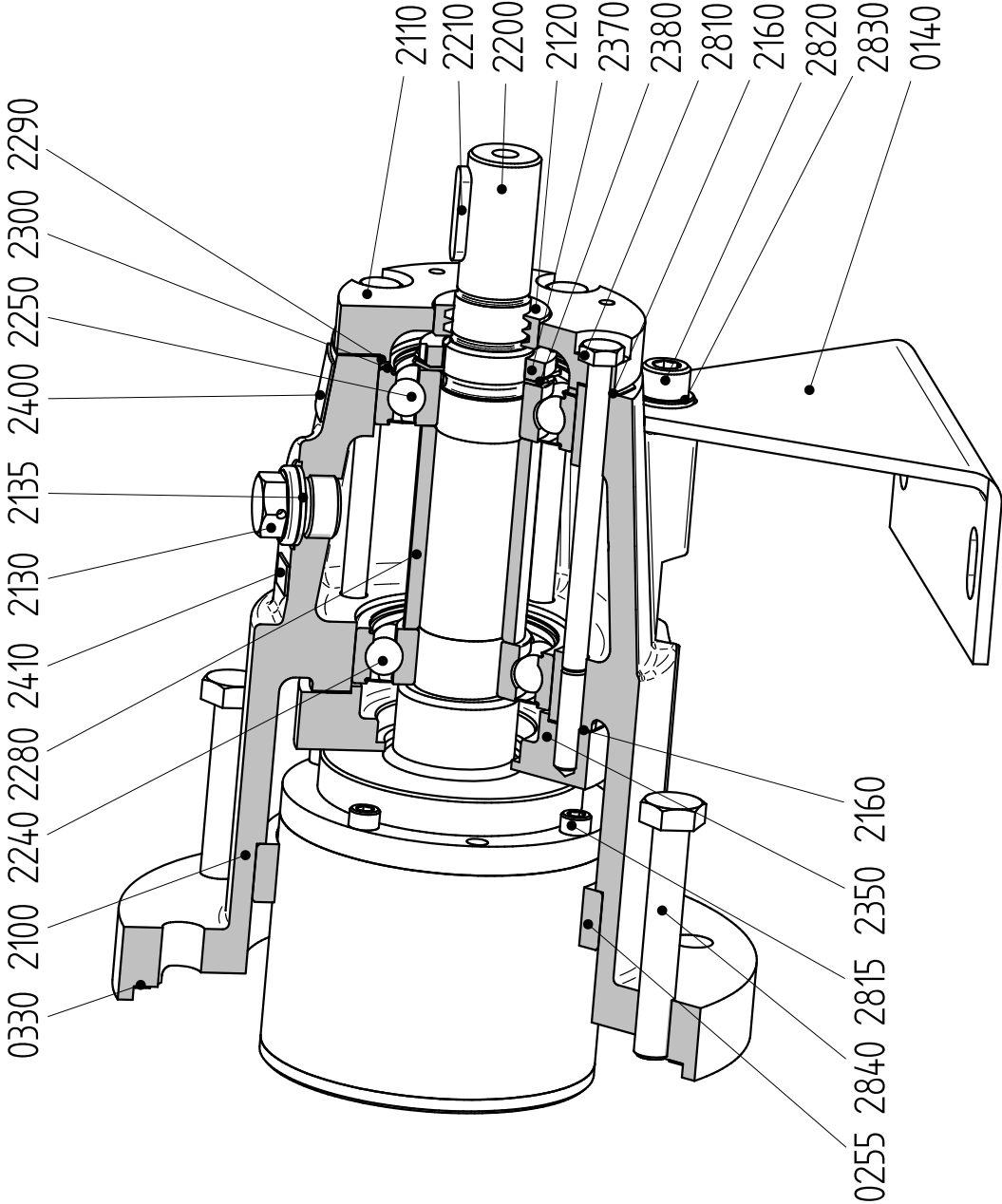


Figure 25: Roller bearing L1 grease lubricated, MAG 75

## 9.4.2 Parts list

Item	Quantity	Description	Material		
			G	NG	R6
0140	1	bracket support		steel	
0255	1	protection ring		bronze	
0330*	1	gasket		--	
2100	1	bearing bracket		nodular cast iron	
2110	1	bearing cover		steel	
2120*	1	oil catcher		bronze	
2130	1	oil filler cap		steel	
2140	1	plug		steel	
2145	1	plug		steel	
2160*	2	gasket		--	
2190	1	plug		steel	
2195	1	sealing ring		copper	
2200	1	line shaft		steel	
2210*	1	coupling key		steel	
2240*	1	ball bearing		--	
2250*	1	ball bearing		--	
2280	1	spacer sleeve		steel	
2290	1	adjusting ring		steel	
2300*	1	waved washer		stainless steel	
2350	1	bearing cover		steel	
2370*	1	lock nut		steel	
2380*	1	locking washer		steel	
2400	1	name plate		stainless steel	
2410	1	arrow plate		aluminium	
2810	4	bolt		steel	
2815	4	Allen screw		stainless steel	
2820	1	Allen screw		stainless steel	
2830	1	washer		stainless steel	
2840	2	bolt		stainless steel	

**9.5 Roller bearing L1 grease lubricated**

9.5.1 Sectional drawing

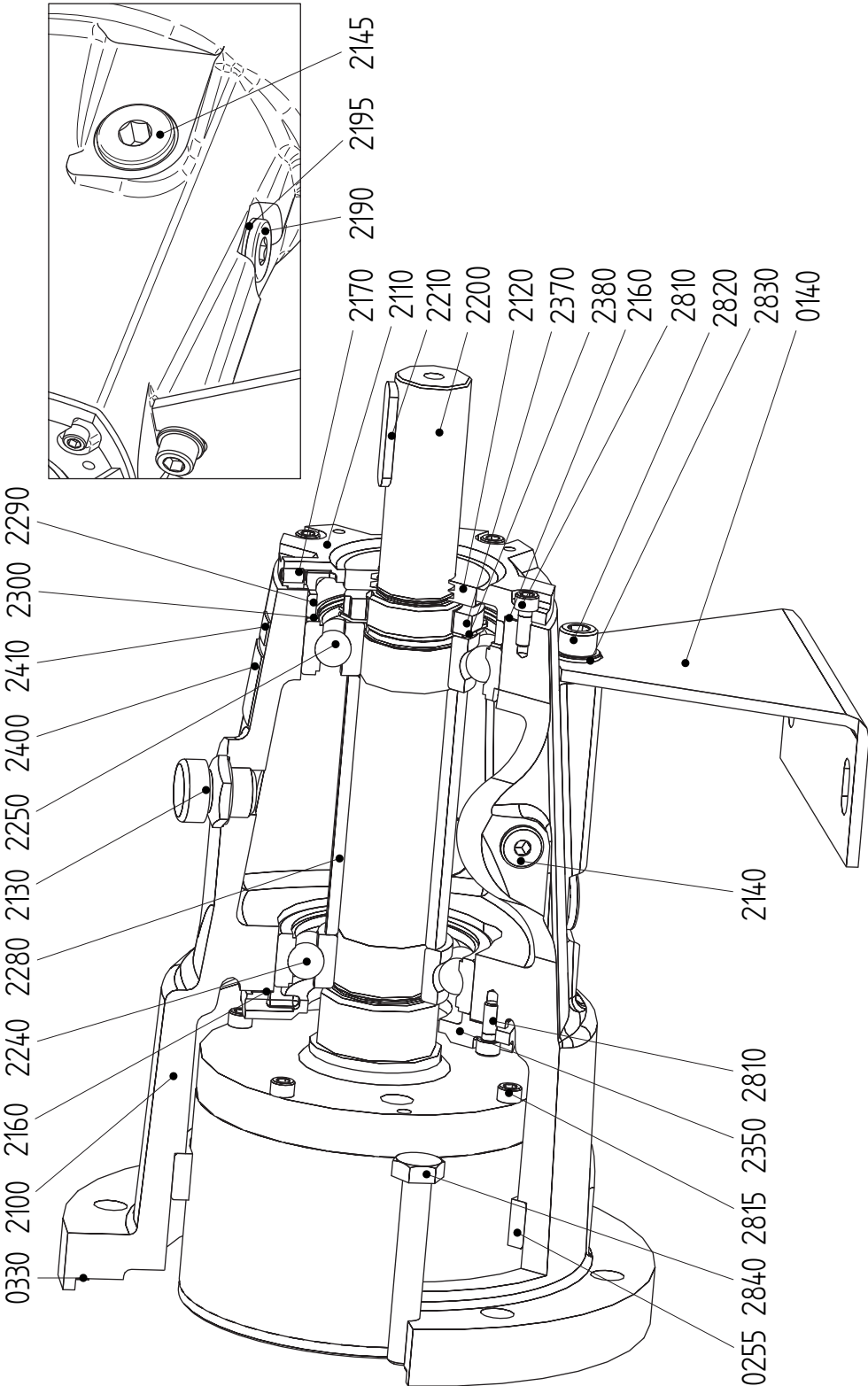


Figure 26: Roller bearing L1 grease lubricated

## 9.5.2 Parts list

Item	Quantity	Description	Material		
			G	NG	R6
0140	1	bracket support		steel	
0255	1	protection ring		bronze	
0330*	1	gasket		--	
2100	1	bearing bracket		nodular cast iron	
2110	1	bearing cover		cast iron	
2120*	1	oil catcher		bronze	
2130	1	oil filler cap		steel	
2140	1	plug		steel	
2145	1	plug		steel	
2160*	2	gasket		--	
2170	1	set screw		stainless steel	
2190	1	plug		steel	
2195	1	sealing ring		copper	
2200	1	line shaft		steel	
2210*	1	coupling key		steel	
2240*	1	ball bearing		--	
2250*	1	ball bearing		--	
2280	1	spacer sleeve		steel	
2290	1	adjusting ring		steel	
2300*	1	waved washer		spring steel	
2350	1	bearing cover		cast iron	
2370*	1	lock nut		steel	
2380*	1	locking washer		steel	
2400	1	name plate		stainless steel	
2410	1	arrow plate		aluminium	
2810	8	Allen screw		stainless steel	
2815	4	Allen screw		stainless steel	
2820	1	Allen screw		stainless steel	
2830	1	washer		stainless steel	
2840	2	bolt		stainless steel	

**9.6 Roller bearing L3 oil lubricated, MAG 75**

9.6.1 Sectional drawing

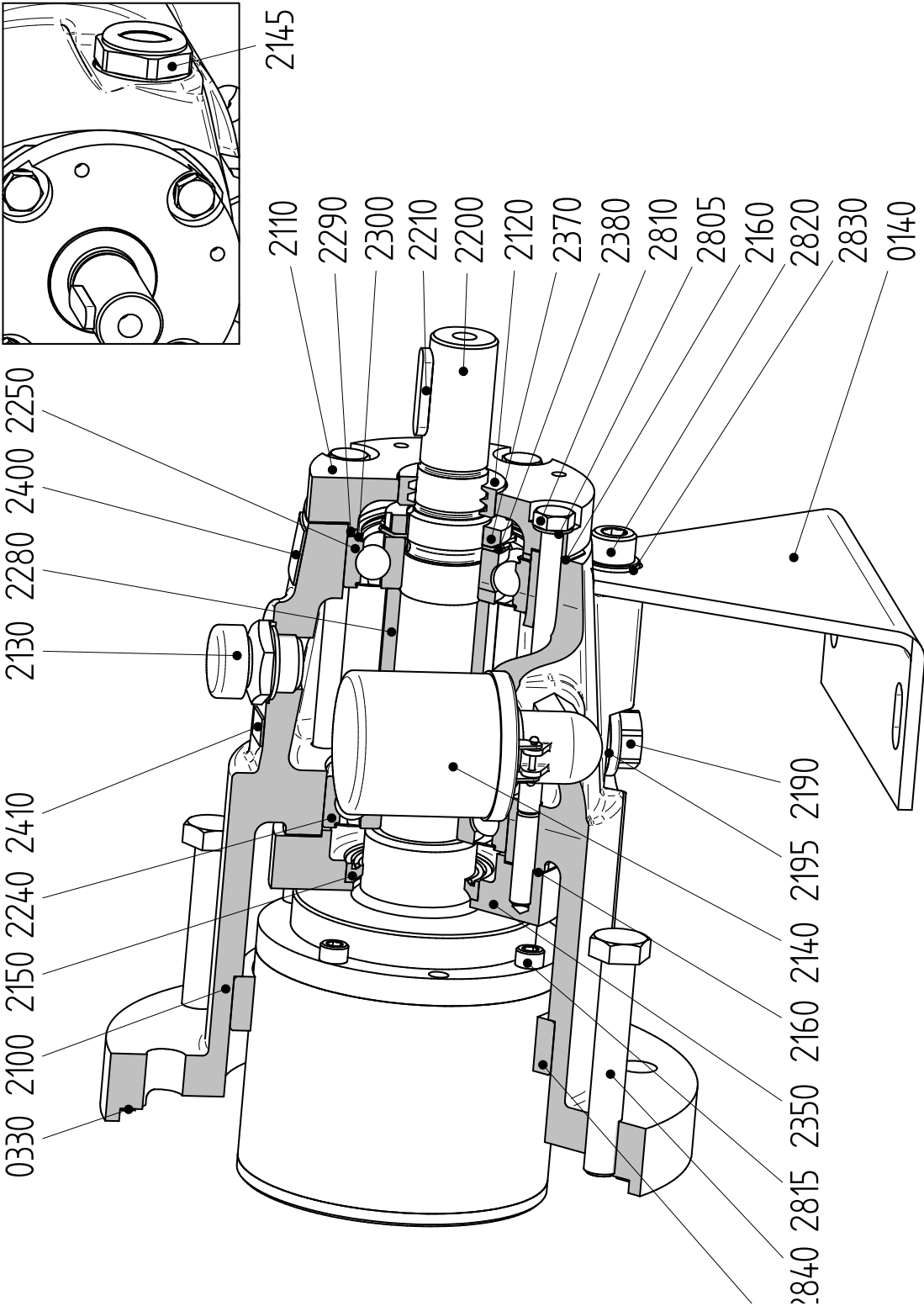


Figure 27: Roller bearing L3 oil lubricated, MAG 75.

## 9.6.2 Parts list

Item	Quantity	Description	Material		
			G	NG	R6
0140	1	bracket support		steel	
0255	1	protection ring		bronze	
0330*	1	gasket		--	
2100	1	bearing bracket		nodular cast iron	
2110	1	bearing cover		cast iron	
2120*	1	oil catcher		bronze	
2130	1	oil filler cap		stainless steel	
2140	1	constant level oiler		--	
2145	1	oil sight glass		--	
2150*	1	oil seal		rubber	
2160*	2	gasket		oil tight	
2190	1	magnetic drain plug		stainless steel	
2195	1	sealing ring		gylon	
2200	1	line shaft		steel	
2210*	1	coupling key		steel	
2240*	1	ball bearing		--	
2250*	1	ball bearing		--	
2280	1	spacer sleeve		steel	
2290	1	adjusting ring		steel	
2300*	1	waved washer		spring steel	
2350	1	bearing cover		cast iron	
2370*	1	lock nut		steel	
2380*	1	locking washer		steel	
2400	1	name plate		stainless steel	
2410	1	arrow plate		aluminium	
2810	4	bolt		steel	
2805	4	multi seal		steel/NBR	
2815	4	Allen screw		stainless steel	
2820	1	Allen screw		stainless steel	
2830	1	washer		stainless steel	
2840	2	bolt		stainless steel	

**9.7 Roller bearing L3 oil lubricated**

9.7.1 Sectional drawing

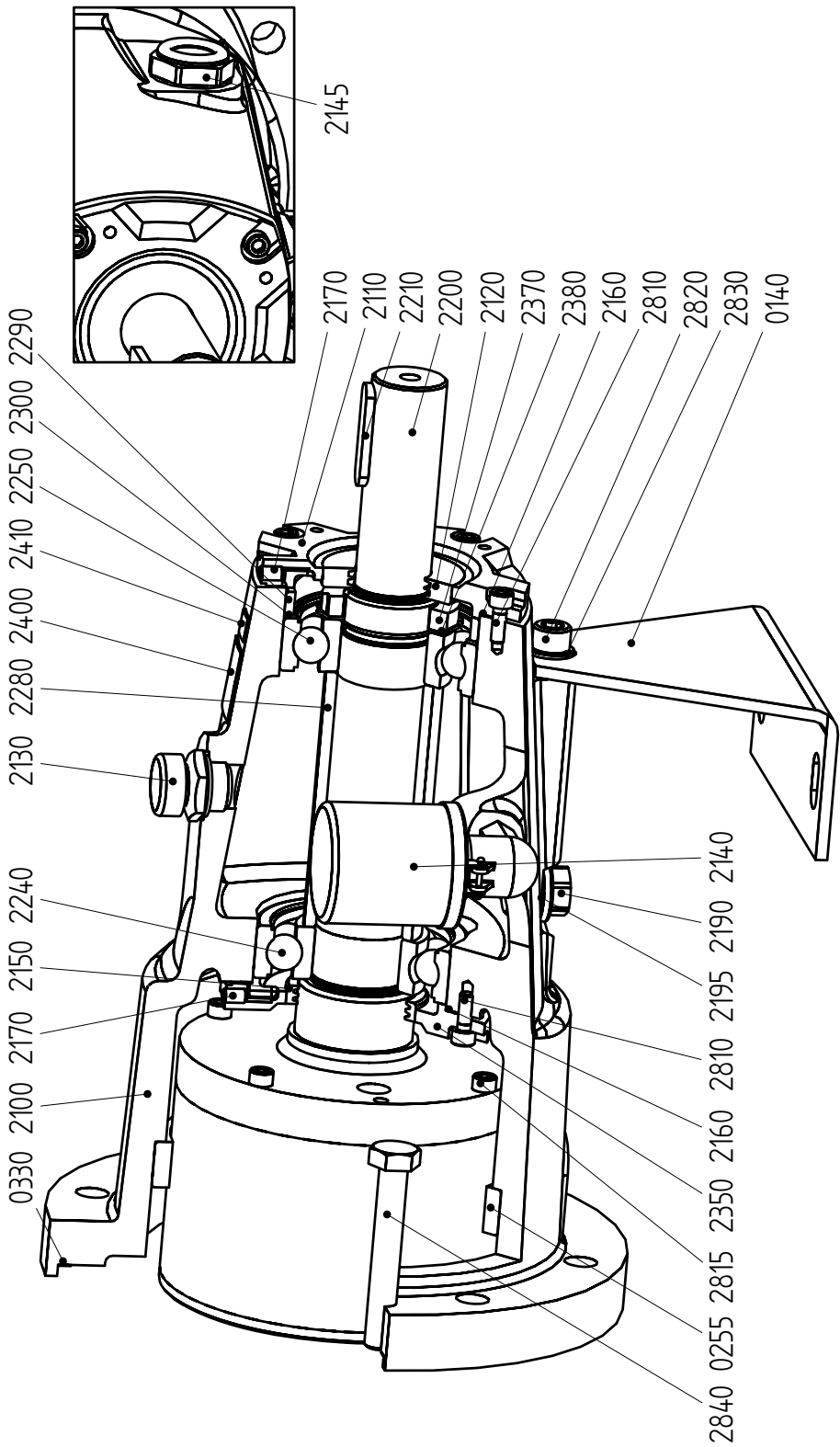


Figure 28: Roller bearing L3 oil lubricated



## 9.7.2 Parts list

Item	Quantity	Description	Material		
			G	NG	R6
0140	1	bracket support		steel	
0255	1	protection ring		bronze	
0330*	1	gasket		--	
2100	1	bearing bracket		nodular cast iron	
2110	1	bearing cover		cast iron	
2120*	1	oil catcher		bronze	
2130	1	oil filler cap		steel	
2140	1	constant level oiler		--	
2145	1	oil sight glass		--	
2150*	1	oil catcher		bronze	
2160*	2	gasket		--	
2170	2	set screw		stainless steel	
2190	1	magnetic drain plug		stainless steel	
2195	1	sealing ring		nylon	
2200	1	line shaft		steel	
2210*	1	coupling key		steel	
2240*	1	ball bearing		--	
2250*	1	ball bearing		--	
2280	1	spacer sleeve		steel	
2290	1	adjusting ring		steel	
2300*	1	waved washer		spring steel	
2350	1	bearing cover		cast iron	
2370*	1	lock nut		steel	
2380*	1	locking washer		steel	
2400	1	name plate		stainless steel	
2410	1	arrow plate		aluminium	
2810	8	Allen screw		stainless steel	
2815	4	Allen screw		stainless steel	
2820	1	Allen screw		stainless steel	
2830	1	washer		stainless steel	
2840	2	bolt		stainless steel	

**9.8 Jacket**

9.8.1 Composite drawing

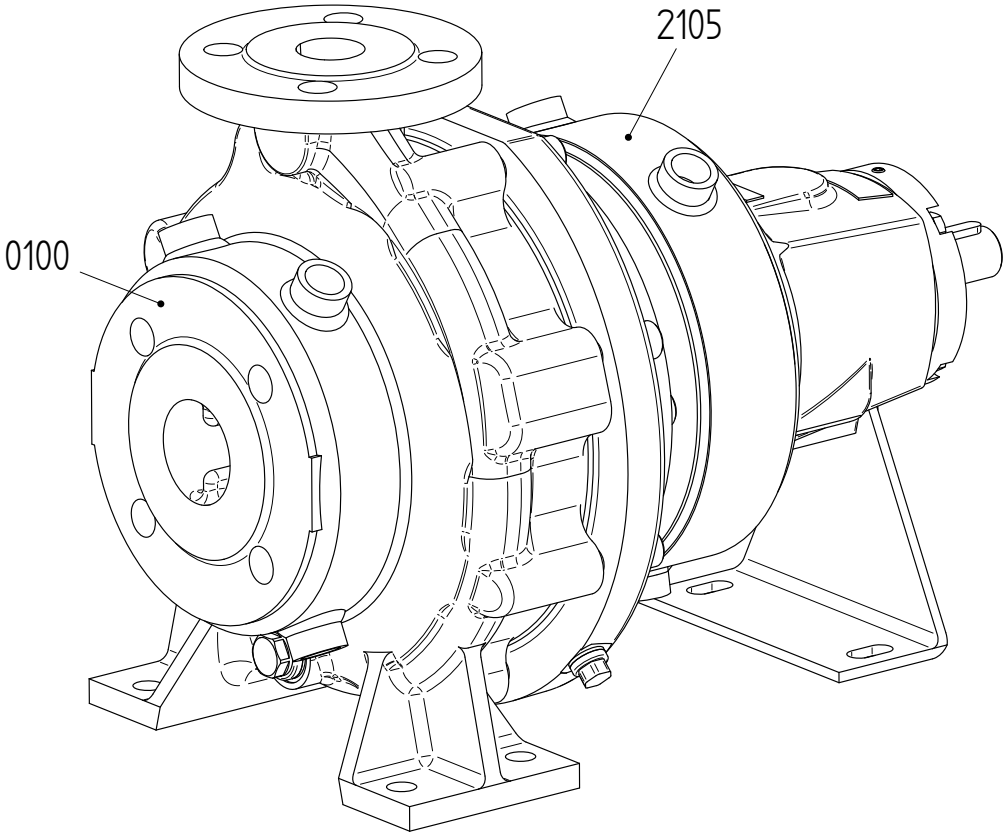


Figure 29: Jacket.

9.8.2 Parts list

Item	Quantity	Description	Materials		
			G	NG	R6
0100	1	pump casing jacket	--		stainless steel
2105	1	bearing bracket jacket			steel

9.9 Temperature sensor

9.9.1 Composite drawing

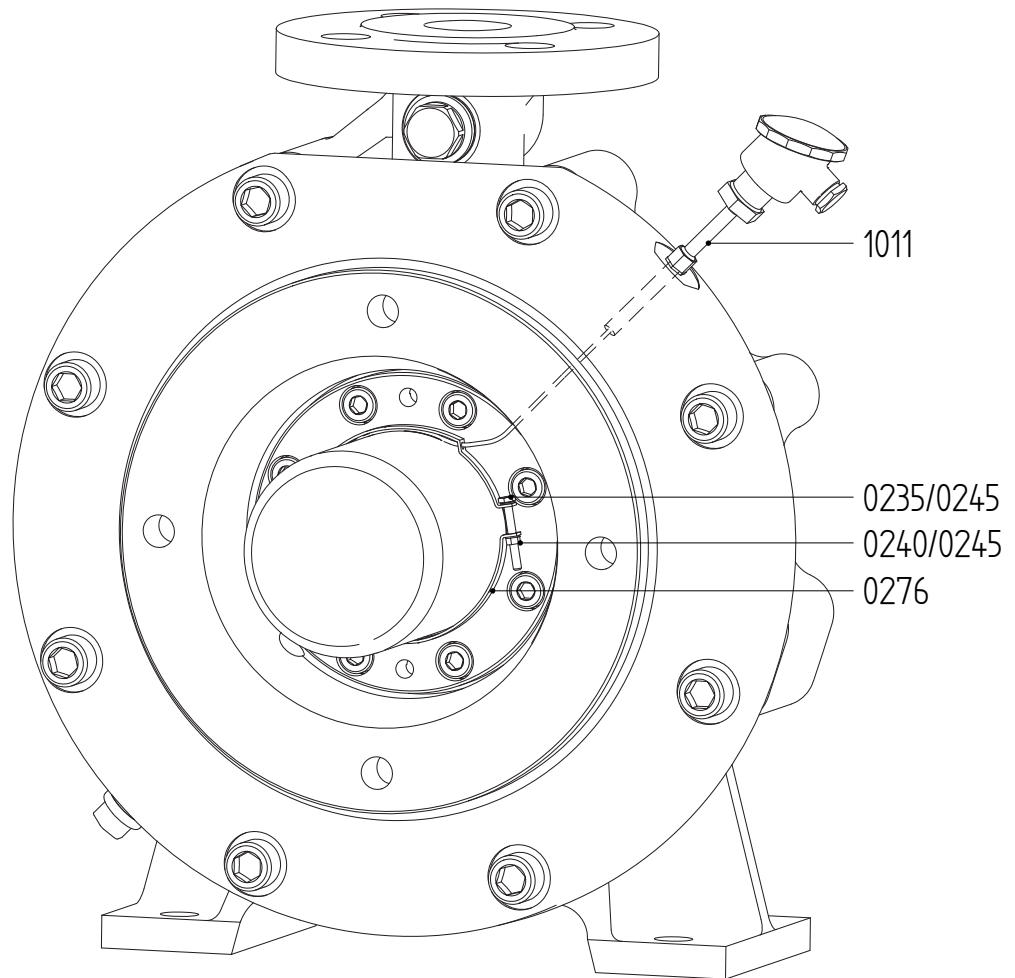


Figure 30: Temperature sensor.

9.9.2 Parts list

Item	Quantity	Description	Material
0235	1	bolt	stainless steel
0240	1	nut	stainless steel
0245	2	washer	stainless steel
0276	1	clamp	stainless steel
1011	1	temperature sensor	--



## 10 Technical data

### 10.1 Maximum allowable working pressures

Table 10: Maximum allowable working pressure [kPa] (according to ISO 7005-2/3).

Materials	Max. temperature [°C]						
	50	120	150	180	200	250	300
G	1600	1600	1440	1340	1280	1120	960
NG	1600	1600	1550	1500	1470	1390	1280
R	1600	1440	1360	1300	1260	1190	1110

100 kPa = 1 bar

Test pressure: 1,5 x max. working pressure

### 10.2 Torque magnetic coupling

Table 11: Torque magnetic coupling.

Magnetic coupling				Torque [Nm]			
MAG 75-2	MAG 75-4	MAG 75-6		9	20	30	
MAG 110-2	MAG 110-4	MAG 110-6		23,5	51,9	80,3	
MAG 135-4	MAG 135-6	MAG 135-8		80,3	124,2	168	
MAG 165-4	MAG 165-6	MAG 165-8	MAG 165-10	119,7	184,8	249,9	315

### 10.3 Recommended locking liquids

Table 12: Recommended locking liquids.

Description	Locking liquid
cap nut (1820)	Loctite 243
nut / bolt (1300)	Loctite 243
wear ring (0130)	Loctite 641

## 10.4 Oil lubricated bearing L3

### 10.4.1 Oil

#### Pump temperatures up to 140°C:

Table 13: Recommended oils according to ISO VG 68 classification for ambient temperatures above 15 °C.

BP	Energol HLP-HM 68
CHEVRON	Rando HDZ 68
CHEVRON	Regal Premium EP 68
EXXONMOBIL	Mobil D.T.E. Oil Heavy Medium
EXXONMOBIL	Teresstic T 68
SHELL	Tellus S2 M 68
TOTAL	Azolla ZS 68

When the pumpmedium temperature is over 140°C a synthetic oil with next approximate viscosity characteristic shall be used:

40°C - 145 mm<sup>2</sup>/s & 100°C - 24 mm<sup>2</sup>/s (e.g. Shell TIVELA WA).

**!** This "Polyglycol" based oil is not mixable with mineral oils!

### 10.4.2 Oil contents

Table 14: Oil contents.

Bearing group	Oil contents [litres]
1: MAG 75	0,40
1: MAG 110	0,50
2: MAG 110, 135, 165	0,50
3: MAG 135, 165	0,60

## 10.5 Tightening moments

### 10.5.1 Tightening moments for bolts and Allen screws

Table 15: Tightening moments in Nm for stainless steel (A4-70) bolts and Allen screws.

Thread	lubricated	dry
M5	4	4,5
M6	7	7,5
M8	16	18
M10	32	must not be fitted dry
M12	43	must not be fitted dry

### 10.5.2 Tightening moments for cap nut

Table 16: Tightening moments for cap nut (1820).

Thread	Tightening moment [Nm]
M12 (bearing group 1)	43
M16 (bearing group 2)	105
M 24 (bearing group 3)	220

## 10.5.3 Tightening moments set screw from coupling

*Table 17: Tightening moments set screw from coupling.*

<b>Size</b>	<b>Tightening moment [Nm]</b>
M6	4
M8	8
M10	15
M12	25
M16	70

## 10.6 Maximum speed

Table 18: Maximum speed.

CM	Max. impeller diameter [mm]	Back vane diameter [mm]	Max. speed [min <sup>-1</sup> ]
32-125	139	76*	3600
32C-125	139	76	3600
32-160	169	76*	3600
32A-160	169	--	3600
32C-160	169	76	3600
32-200	209	133*	3600
32C-200	209	133	3600
32-250	260	161	3600
40C-125	130	76	3600
40C-160	175	120	3600
40C-200	210	111	3600
40-250	260	150	3600
40A-315	320	164	3600
50C-125	139	115	3600
50C-160	175	118	3600
50C-200	209	155	3600
50-250	260	160	3600
50-315	320	208	3600
65C-125	139	139	3600
65C-160	175	156	3600
65C-200	215	157	3600
65A-250	260	193	3600
65-315	320	200	3600
80C-160	175	175	3600
80C-200	215	180	3600
80-250	260	225	3600
80A-250	265	225	3600
80-315	320	239	3600
80-400	410	290	1800
100C-200	220	200	3000
100C-250	269	269	3000
100-315	324	243	1800
100-400	410	243	1800
125-250	269	234	1800
125-315	324	272	1800
125-400	404	299	1800
150-400	414	342	1800

\* stainless steel impeller: no back vanes



### 10.7 Permissible forces and moments on the flanges

Forces and moments acting on the pump flanges due to pipe loads can cause misalignment of the pump and driver shafts, deformation and overstressing of the pump casing, or overstressing of the fixing bolts between the pump and the base plate.

The maximum allowable forces and moments on the flanges should be based on the following maximum values for the lateral displacement of the shaft end, relative to the fixed point in space:

- pumps of bearing group 1: 0,15 mm,
- pumps of bearing group 2: 0,20 mm,
- pumps of bearing group 3: 0,25 mm,

The values can be applied simultaneously in all directions with positive or negative signs, or separately on each flange (suction and discharge).

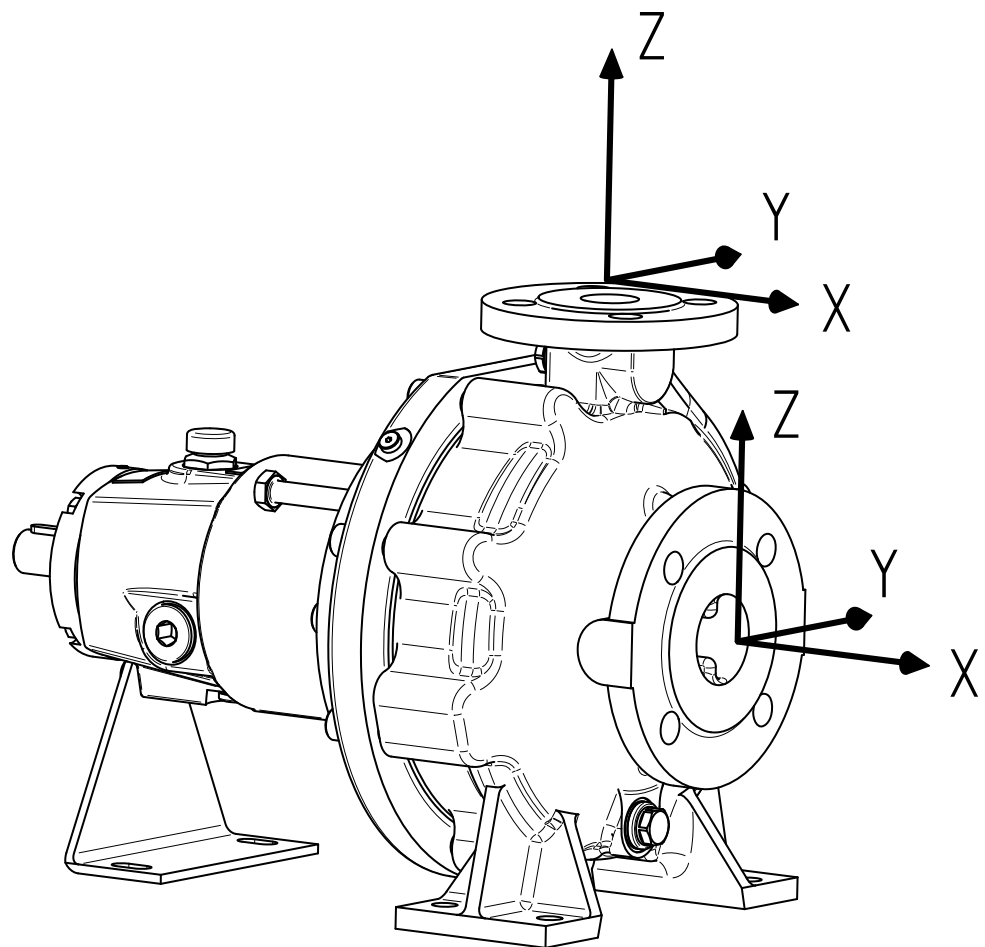


Figure 31: Coordinate system.

Table 19: Permissible forces and moments on the flanges, based on EN-ISO 5199.

CM	Pump unit with a non-grouted base plate															
	Horizontal Pump, End branch, x-Axis								Horizontal Pump, Top branch, z-Axis							
	Force (N)				Moment (N.m)				Force (N)				Moment (N.m)			
	Fy	Fz	Fx	ΣF	My	Mz	Mx	ΣM	Fy	Fz	Fx	ΣF	My	Mz	Mx	ΣM
32-125	1050	945	1155	1820	700	805	980	1435	595	735	630	1155	525	595	770	1120
32C-125	1050	945	1155	1820	700	805	980	1435	595	735	630	1155	525	595	770	1120
32-160	1050	945	1155	1820	700	805	980	1435	595	735	630	1155	525	595	770	1120
32A-160	1050	945	1155	1820	700	805	980	1435	595	735	630	1155	525	595	770	1120
32C-160	1050	945	1155	1820	700	805	980	1435	595	735	630	1155	525	595	770	1120
32-200	1050	945	1155	1820	700	805	980	1435	595	735	630	1155	525	595	770	1120
32C-200	1050	945	1155	1820	700	805	980	1435	595	735	630	1155	525	595	770	1120
32-250	1050	945	1155	1820	700	805	980	1435	595	735	630	1155	525	595	770	1120
40C-125	1295	1190	1470	2310	770	840	1050	1540	700	875	770	1365	630	735	910	1330
40C-160	1295	1190	1470	2310	770	840	1050	1540	700	875	770	1365	630	735	910	1330
40C-200	1295	1190	1470	2310	770	840	1050	1540	700	875	770	1365	630	735	910	1330
40-250	1295	1190	1470	2310	770	840	1050	1540	700	875	770	1365	630	735	910	1330
40A-315	1295	1190	1470	2310	770	840	1050	1540	700	875	770	1365	630	735	910	1330
50C-125	1575	1435	1750	2765	805	910	1120	1645	945	1155	1050	1820	700	805	980	1435
50C-160	1575	1435	1750	2765	805	910	1120	1645	945	1155	1050	1820	700	805	980	1435
50C-200	1575	1435	1750	2765	805	910	1120	1645	945	1155	1050	1820	700	805	980	1435
50-250	1575	1435	1750	2765	805	910	1120	1645	945	1155	1050	1820	700	805	980	1435
50-315	1295	1435	1750	2765	805	910	1120	1645	945	1155	1050	1820	700	805	980	1435
65C-125	2100	1890	2345	3675	875	1015	1225	1820	1190	1470	1295	2310	770	840	1050	1540
65C-160	2100	1890	2345	3675	875	1015	1225	1820	1190	1470	1295	2310	770	840	1050	1540
65C-200	2100	1890	2345	3675	875	1015	1225	1820	1190	1470	1295	2310	770	840	1050	1540
65A-250	2100	1890	2345	3675	875	1015	1225	1820	1190	1470	1295	2310	770	840	1050	1540
65-315	2100	1890	2345	3675	875	1015	1225	1820	1190	1470	1295	2310	770	840	1050	1540
80C-160	2485	2240	2765	4340	1050	1330	1470	2135	1435	1750	1575	2765	805	910	1120	1645
80C-200	2485	2240	2765	4340	1050	1330	1470	2135	1435	1750	1575	2765	805	910	1120	1645
80-250	2485	2240	2765	4340	1050	1330	1470	2135	1435	1750	1575	2765	805	910	1120	1645
80A-250	2485	2240	2765	4340	1050	1330	1470	2135	1435	1750	1575	2765	805	910	1120	1645
80-315	2485	2240	2765	4340	1050	1330	1470	2135	1435	1750	1575	2765	805	910	1120	1645
80-400	2485	2240	2765	4340	1050	1330	1470	2135	1435	1750	1575	2765	805	910	1120	1645
100C-200	2485	2240	2765	4340	1050	1330	1470	2135	1890	2345	2100	3675	875	1015	1225	1820
100C-250	2485	2240	2765	4340	1050	1330	1470	2135	1890	2345	2100	3675	875	1015	1225	1820
100-315	2485	2240	2765	4340	1050	1330	1470	2135	1890	2345	2100	3675	875	1015	1225	1820
100-400	2485	2240	2765	4340	1050	1330	1470	2135	1890	2345	2100	3675	875	1015	1225	1820
125-250	3150	2835	3500	5495	1225	1435	1750	2555	2240	2765	2485	4340	1050	1330	1470	2135
125-315	3150	2835	3500	5495	1225	1435	1750	2555	2240	2765	2485	4340	1050	1330	1470	2135
125-400	3150	2835	3500	5495	1225	1435	1750	2555	2240	2765	2485	4340	1050	1330	1470	2135
150-400*	4200	3780	4690	7315	1610	1855	2275	3360	2835	3500	3150	5495	1225	1435	1750	2555

\* Not available in G and NG

The basic values mentioned in the table above should be multiplied with the following coefficients in relation to the relevant pump casing materials:

Material	Coefficient
Cast iron	0,5
Nodular cast iron	0,8
Stainless steel	1

10.8 Hydraulic performance

10.8.1 Performance overview cast iron and nodular cast iron pumps G, NG

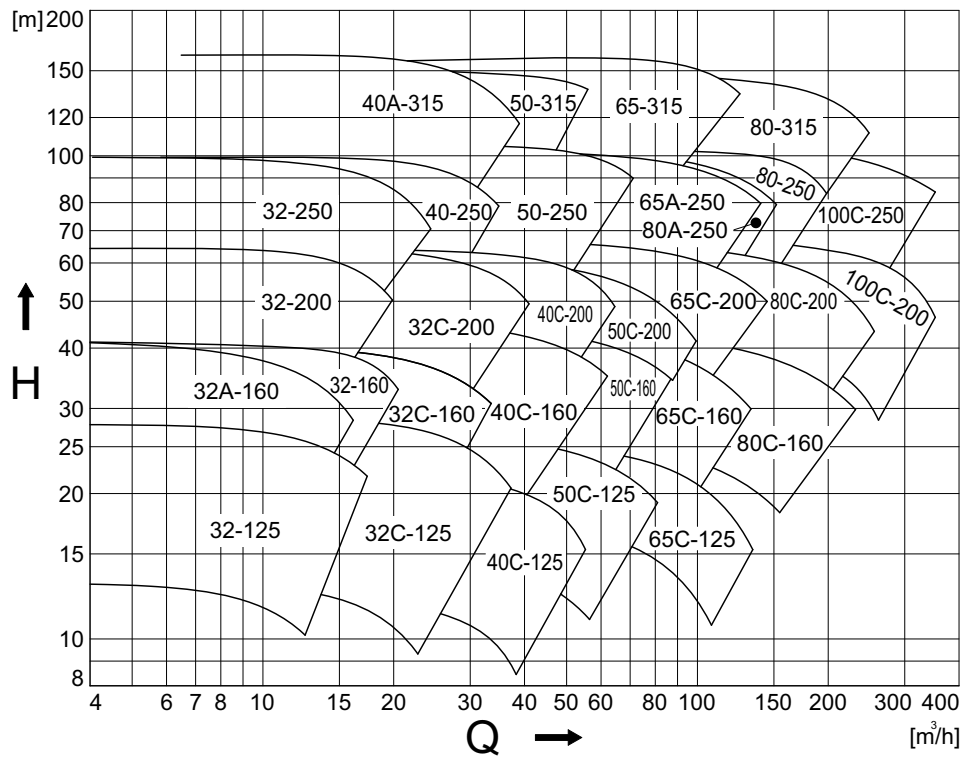


Figure 32: Performance overview 3000 min<sup>-1</sup>.

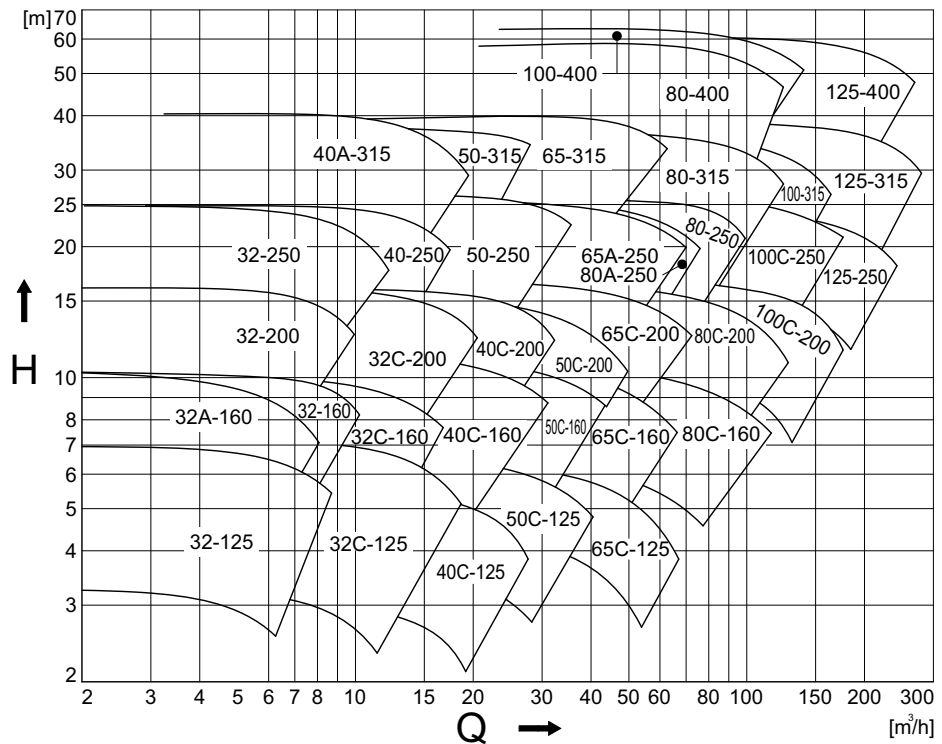


Figure 33: Performance overview 1500 min<sup>-1</sup>.

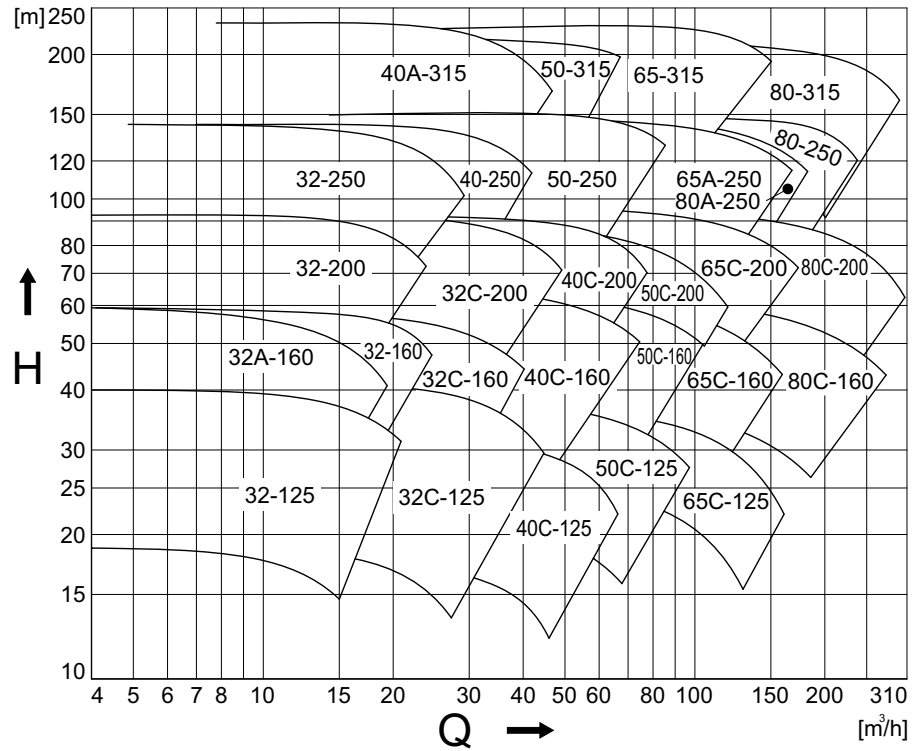


Figure 34: Performance overview 3600 min<sup>-1</sup>.

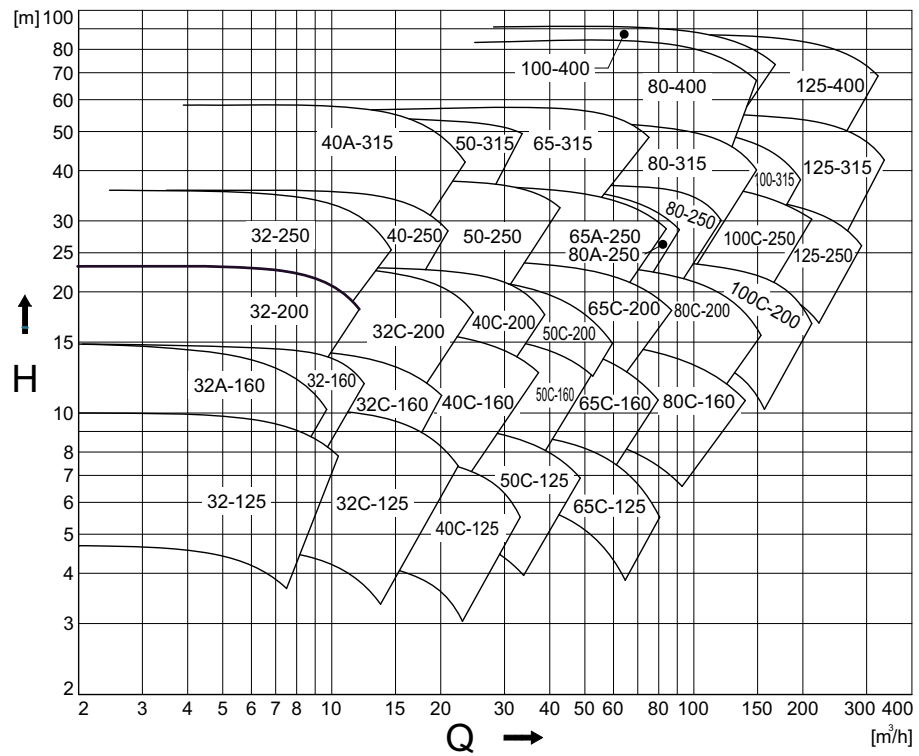


Figure 35: Performance overview 1800 min<sup>-1</sup>.

10.8.2 Performance overview stainless steel pumps R

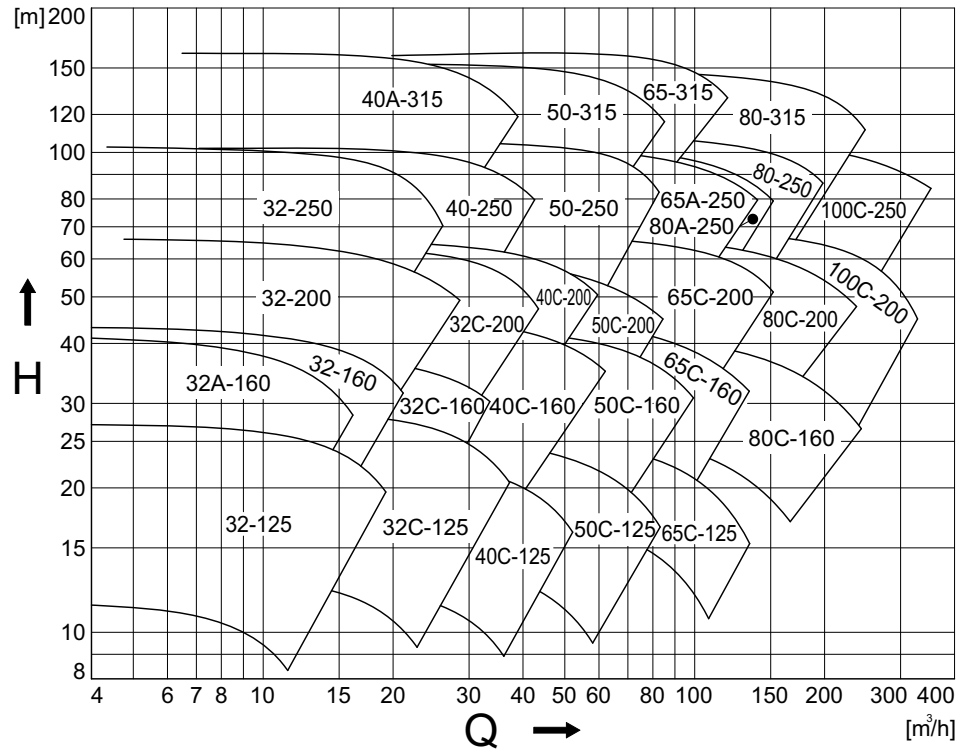


Figure 36: Performance overview 3000 min<sup>-1</sup>.

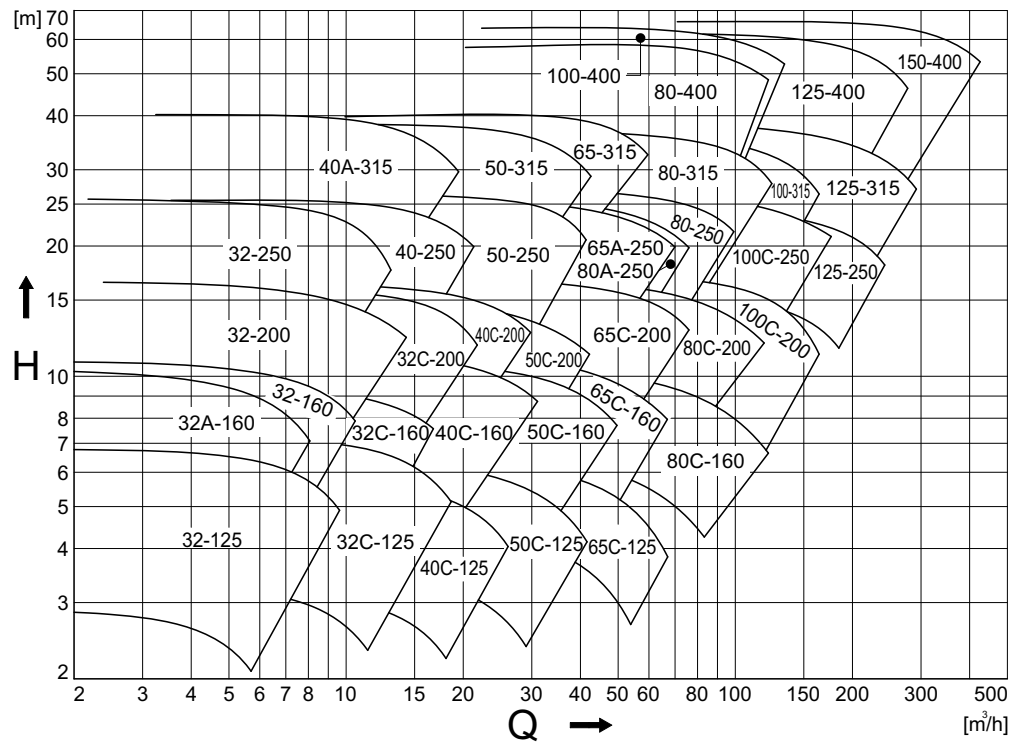


Figure 37: Performance overview 1500 min<sup>-1</sup>.

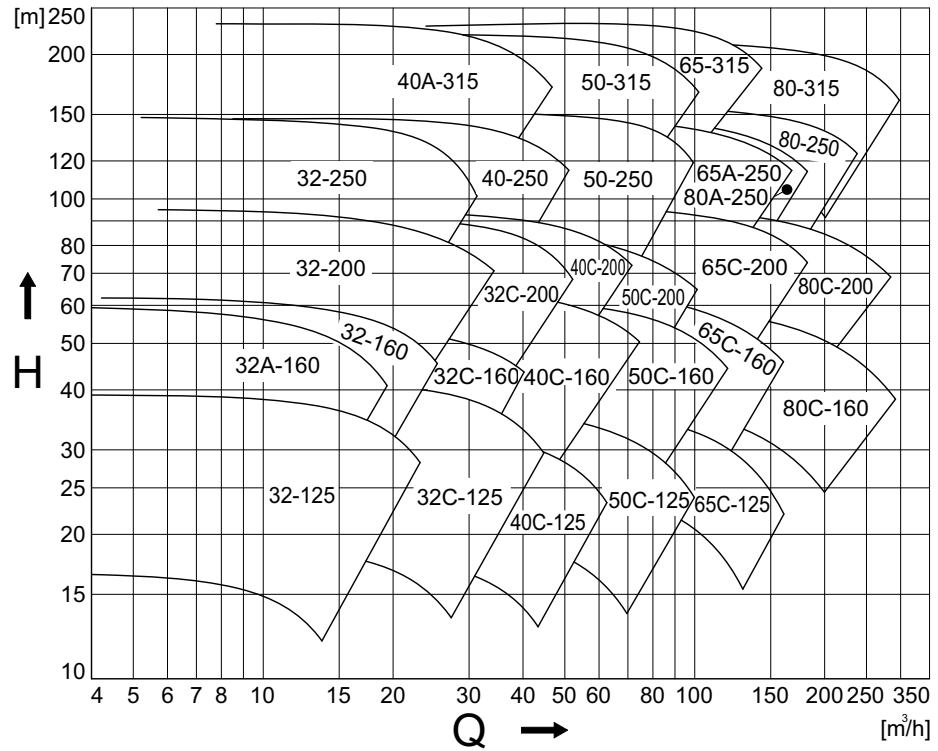


Figure 38: Performance overview 3600 min<sup>-1</sup>.

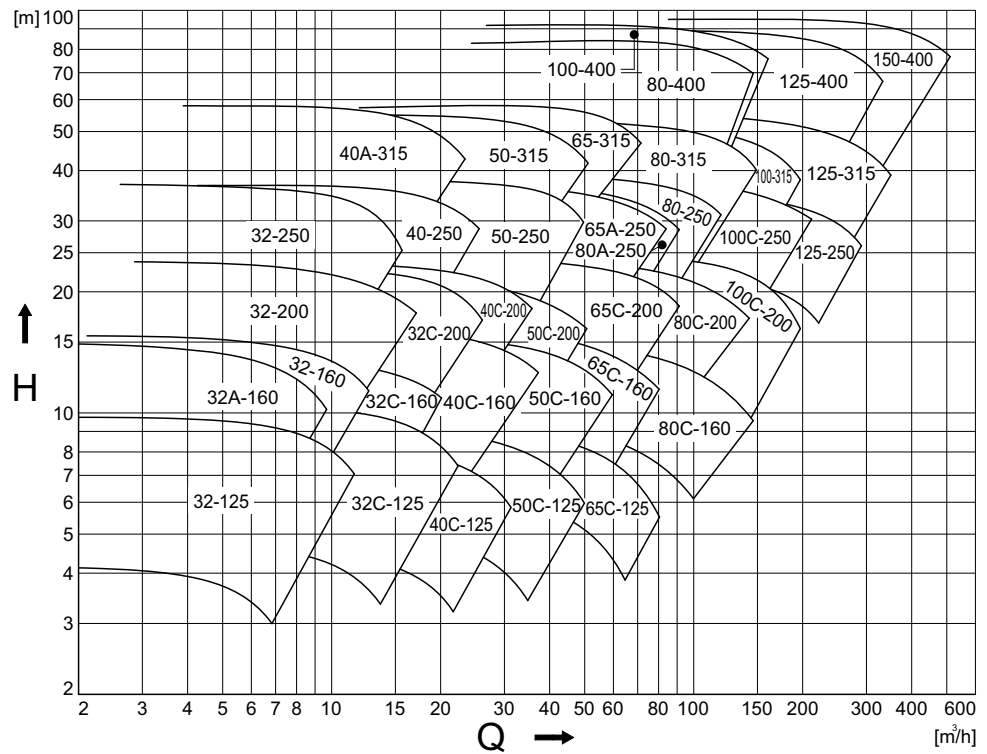


Figure 39: Performance overview 1800 min<sup>-1</sup>.

10.9 Noise data

10.9.1 Pump noise as a function of pump power

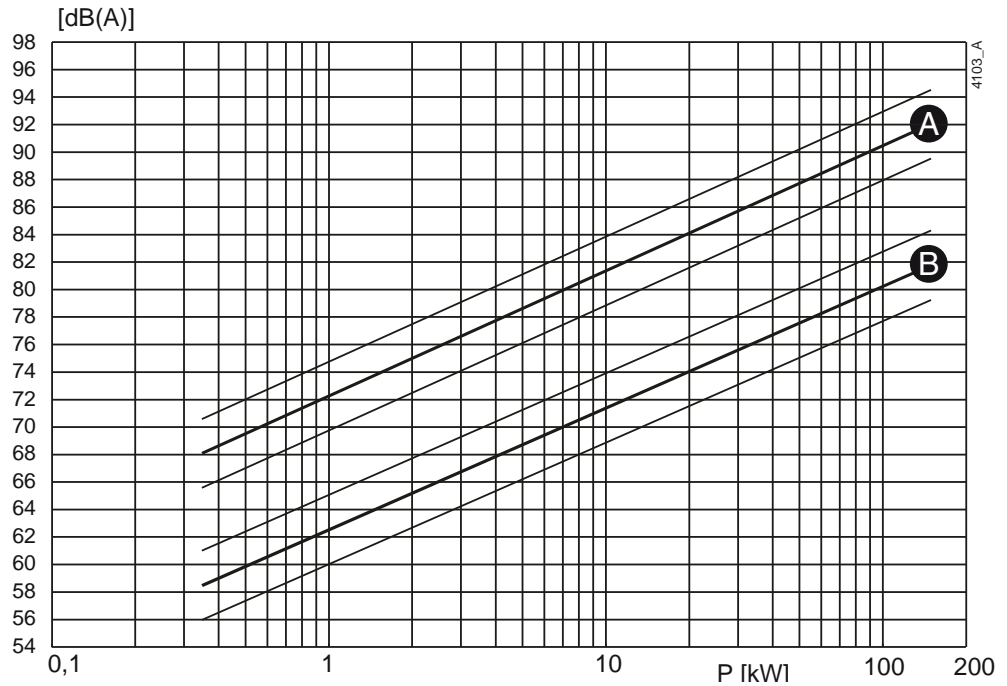


Figure 40: Noise level as function of pump power [kW] at 1450 min<sup>-1</sup>  
 A = sound power level, B = sound pressure level.

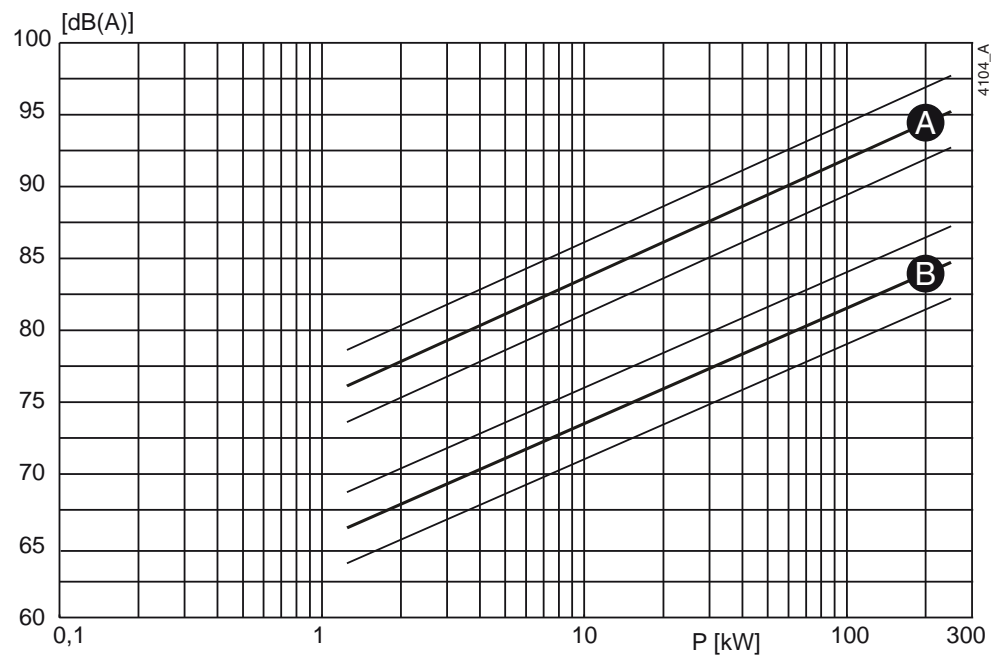


Figure 41: Noise level as function of pump power [kW] at 2900 min<sup>-1</sup>  
 A = sound power level, B = sound pressure level.

## 10.9.2 Noise level of entire pump unit

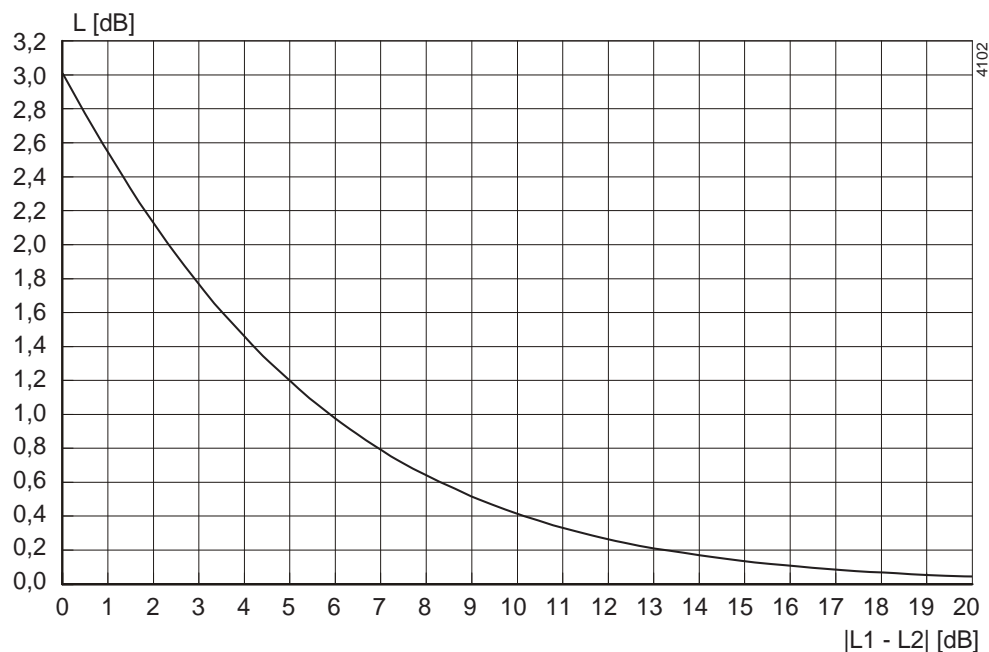


Figure 42: Noise level of entire pump unit.

In order to determine the total noise level of the entire pump unit, the noise level of the motor must be added to that of the pump. This can be easily done by using the graph above.

- 1 Determine the noise level ( $L_1$ ) of the pump, see figure 40 or figure 41.
- 2 Determine the noise level ( $L_2$ ) of the motor, see documentation of the motor.
- 3 Determine the difference between both levels  $|L_1 - L_2|$ .
- 4 Find the differential value on the  $|L_1 - L_2|$ -axis and go up to the curve.
- 5 From the curve go left to the  $L$ [dB] -axis and read out the value.
- 6 Add this value to the highest value of both noise levels ( $L_1$  or  $L_2$ ).

Example:

- 1 Pump 75 dB; motor 78 dB.
- 2  $|75-78| = 3$  dB.
- 3 3 dB on the X-axis = 1,75 dB on the Y-axis.
- 4 Highest noise level + 1,75 dB =  $78 + 1,75 = 79,75$  dB.



# Index

## A

Application area .....	18
Applications .....	16

## B

Back Pull Out unit	
mounting .....	46
removing .....	41
Back-Pull-Out system .....	38
Back-Pull-Out unit	
assembling .....	38
Bearing bracket	
disassembling .....	41
Bearing groups .....	16
Bearings	
lubrication .....	31

## C

Cavitation .....	29
Cleaning .....	37
Construction .....	17
containment can .....	17
impeller .....	17
intermediate cover .....	17
liquid lubricated bearings .....	17
magnetic coupling .....	17
outer rotor .....	18
pump casing .....	17
Coupling	
alignment .....	22
alignment tolerances .....	23

## D

Design .....	16
Draining	
jackets .....	36
liquid .....	36
oil .....	36

## E

Electric motor	
connection .....	25
Environment .....	20
Environmental influences .....	32

## F

Faults .....	32
Filter .....	32
Flywheel .....	21

## G

Grease-lubricated bearings	
maintenance .....	31
Guarantee .....	11
Guard	
assembly .....	39
disassembly .....	38

## H

Hoisting .....	12
----------------	----

## I

Impact loading .....	37
Impeller	
assembly .....	45
Inner rotor	
assembly .....	45
disassembly .....	42
Inspection .....	46
delivered items .....	11

## J

Jacket .....	35
--------------	----

## L

Lifting equipment .....	12
Lifting eye .....	12

Liquid	
freezing	32
solidification	32
Lubricants	75
<b>M</b>	
Magnetic coupling	19
<b>N</b>	
Noise	29, 32
<b>O</b>	
Oil contents	76
Oil-bath lubricated bearings	
filling with oil	27
maintenance	31
Operation principle	16
Outer rotor	
assembly	44
disassembly	42
<b>P</b>	
Pallet	12
Pallets	12
Permissible forces on flanges	79
Permissible torques on flanges	79
Piping	24
flushing	24
Positioning	21
Precautionary measures	35
Precautions	37
Preparation	
thermal protection switch	27
Preservation	20
Pressure	75
Pump	
commissioning	28
draining	32
flushing	32
preservation	32
removal	37
replace	37
Pump description	16
Pump shaft	
assembly	44
disassembly	42
Pump unit	19
assembly	21
installation	21
<b>R</b>	
Recommended locking liquids	75
Re-use	18
<b>S</b>	
Safety	19
Scrapping	18
Sense of rotation	28
Serial number	16
Service	11
Special tools	37
Spray clean pump chamber	31
Storage	12, 13
Suction pipe	28
Suction strainer	32
Support	11
<b>T</b>	
Temperature	75
Temperature sensor	25
Tightening moment	
for impeller nut	76
Tightening moments	
set screw coupling	77
Torque magnetic coupling	75
Transport	12
Type code	15
<b>W</b>	
Wear ring	
assembly	43
disassembly	43
Working switch	25





# CombiMag

Centrifugal pump with magnetic coupling

# SPXFLOW

SPX Flow Technology Assen B.V.  
Dr. A. F. Philipsweg 51, 9403 AD Assen, THE NETHERLANDS  
Phone: + 31 (0) 592 37 67 67 Fax: + 31 (0) 592 37 67 60  
E-Mail: [johnson-pump.nl@spxflow.com](mailto:johnson-pump.nl@spxflow.com)  
[www.spxflow.com/johnson-pump](http://www.spxflow.com/johnson-pump)  
[www.spxflow.com](http://www.spxflow.com)

For more information about our worldwide locations, approvals, certifications, and local representatives, please visit [www.spxflow.com/johnson-pump](http://www.spxflow.com/johnson-pump).

SPXFLOW Corporation reserves the right to incorporate our latest design and material changes without notice or obligation. Design features, materials of construction and dimensional data, as described in this bulletin, are provided for your information only and should not be relied upon unless confirmed in writing.

ISSUED 12/2015  
Copyright © 2015 SPXFLOW Corporation