

**PARTS LIST**  
**PUMPS**  
**SLS1 i - SLS2 i - SLS3 i**

Keep this parts lists with Installation, Operation and Maintenance Instructions.

To order the required spare parts, indicate the desired Reference(s).

- ◆ Sets of parts or parts available to order.

**BMS : Bellows monitoring system**

**C1 / C2 interchangeable main body or front cover : Consult us.**

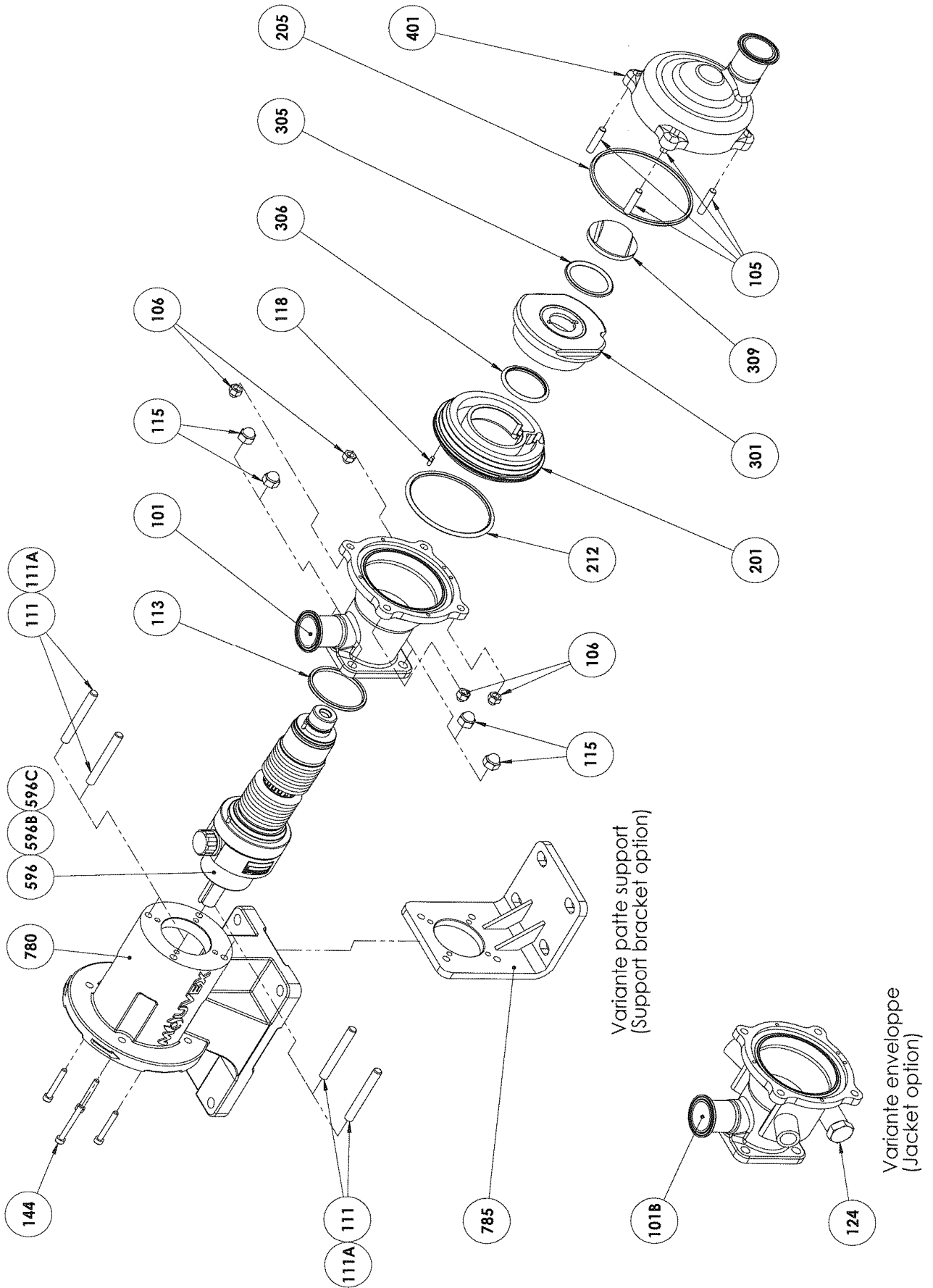
CVT : FEP encapsulated FKM

Z.I. la Plaine des Isles - 2 rue des Caillottes F-89000 AUXERRE - France

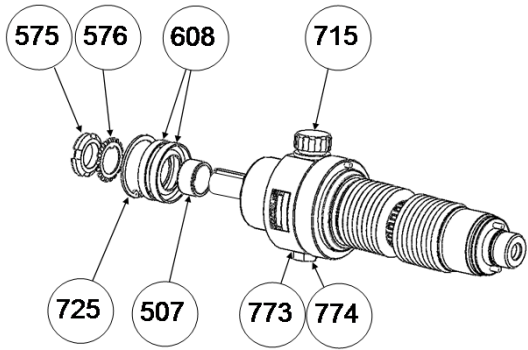
Tel : +33 (0)3 86 49 86 30 • Fax : +33 (0)3 86 49 87 17

contact@mouvex.com • www.mouvex.com

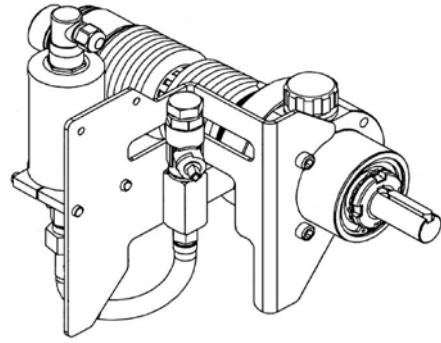
# SLS1 i - SLS2 i - SLS3 i



## PUMP WITH COMPLETE TRANSMISSION

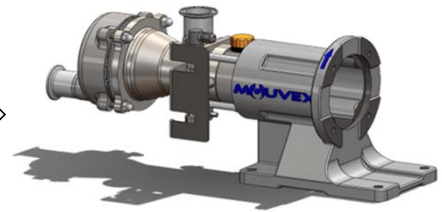
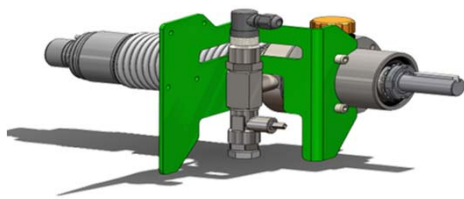


Transmission with ATEX pressure switch BMS

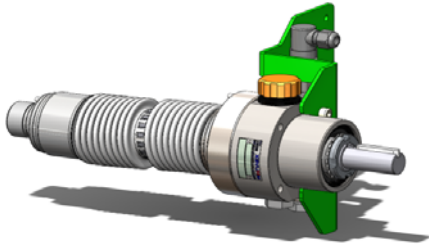


Complete transmission

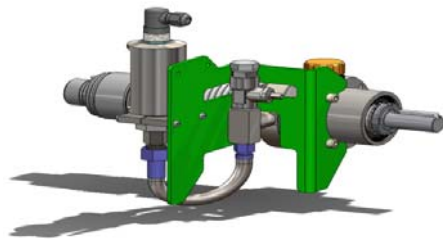
### Transmission with BMS pressure switch except pump with suction port in position 1



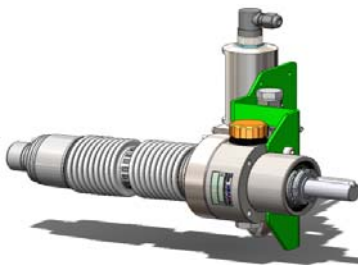
### Transmission with BMS pressure switch for pump with suction port in position 1



### Transmission with BMS pressure switch except pump with suction port in position 1 - ATEX



### Transmission with BMS pressure switch for pump with suction port in position 1 - ATEX



# SLS1 i

\* 1, 2, 4... : Quantity in equipment - (1), (2), (4)... : Quantity in kit

Item	Available	Description	Qty*	Ref.	Maintenance kit	Wear part
8	◆	PLUGS + BREATHER	1	311441.00		
715	◆	BREATHER	1	211144		●
773		PLUG	(1)			
774		SEAL	(1)			●
9	◆	BEARING GASKETS _ SCREWS SET	1	315025.00		
507		RING	(1)			●
575		NUT	(1)			
576		WASHER	(1)			
608		LIP SEAL	(2)			●
725		CIRCLIPS	(1)			
24	◆	BENDEE BRACKET SCREWS SET	1	315286.02		
24	◆	TRUNK SCREWS SET	1	315026.00		
144		SCREW	(4)			
25	◆	BENDEE BRACKET KIT _ SCREWS SL1 SL2 SL3	1	315618.01		
144		SCREW	(4)			
785		BENDEE BRACKET	(1)			
100	◆	JACKETED INLET MANIFOLD FLANGE ASEPTIK DIN 11864-BF-A DN40	1	314926.00		
100	◆	JACKETED INLET MANIFOLD CONNECTION CLAMP ASME BPE 38	1	318582.00		
100	◆	JACKETED INLET MANIFOLD CONNECTION CLAMP ISO 38	1	314920.00		
100	◆	JACKETED INLET MANIFOLD CONNECTION DIN 40	1	314918.00		
100	◆	JACKETED INLET MANIFOLD CONNECTION SMS 38	1	314923.00		
101B		JACKETED INLET MANIFOLD	(1)			
124		PLUG	(2)			
101	◆	NOT POLISHED INLET MANIFOLD CONNECTION CLAMP ASME BPE 38	1	318583.00		
101	◆	POLISHED INLET MANIFOLD CONNECTION CLAMP ASME BPE 38	1	318587.00		
101	◆	NOT POLISHED INLET MANIFOLD CONNECTION CLAMP ISO 38	1	314852.00		
101	◆	NOT POLISHED INLET MANIFOLD FLANGE ASEPTIK DIN 11864-BF-A DN40	1	314864.00		
101	◆	POLISHED INLET MANIFOLD CONNECTION CLAMP ISO 38	1	314853.00		
101	◆	POLISHED INLET MANIFOLD FLANGE ASEPTIK DIN 11864-BF-A DN40	1	314865.00		
101	◆	NOT POLISHED INLET MANIFOLD CONNECTION DIN 40	1	314848.00		
101	◆	POLISHED INLET MANIFOLD CONNECTION DIN 40	1	314849.00		
101	◆	POLISHED INLET MANIFOLD WITH CONNECTION SMS 38	1	314859.00		
101	◆	NOT POLISHED INLET MANIFOLD CONNECTION SMS 38	1	314858.00		
119	◆	SET OF STUDS AND NUTS	1	314798.00		
105		STUD	(4)			
106		BLIND NUT	(4)			
111		STUD	(4)			
115		BLIND NUT	(4)			
119	◆	SET OF STUDS AND NUTS - ATEX PRESSURE SWITCH	1	315276.00		
105		STUD	(4)			
106		BLIND NUT	(4)			
111		STUD	(2)			
111A		STUD	(2)			
115		BLIND NUT	(4)			
200	◆	SET CYLINDER _ PISTON	1	314814.01	■	
118		PIN	(1)			
201		CYLINDER	(1)			●
301		PISTON	(1)			●
309	◆	PISTON NUT	1	226535		
206	◆	SET OF CVT 'O' RING SEALS	1	314821.00	■	
206	◆	SET OF FKM 'O' RING SEALS	1	314820.01	■	
113		SEAL	(1)			●
205		SEAL	(1)			●
212		SEAL	(1)			●
305		SEAL	(1)			●
306		SEAL	(1)			●

# SLS1 i

\* 1, 2, 4... : Quantity in equipment - (1), (2), (4)... : Quantity in kit

Item	Available	Description	Qty*	Ref.	Maintenance kit	Wear part
401	◆	NOT POLISHED FRONT COVER CONNECTION CLAMP ASME BPE 38	1	318584.00		
401	◆	POLISHED FRONT COVER CONNECTION CLAMP ASME BPE 38	1	318588.00		
401	◆	NOT POLISHED FRONT COVER CONNECTION CLAMP ISO 38	1	314874.01		
401	◆	NOT POLISHED FRONT COVER FLANGE ASEPTIK DIN 11864-BF-A DN40	1	314886.01		
401	◆	NOT POLISHED FRONT COVER CONNECTION DIN 40	1	314870.01		
401	◆	POLISHED FRONT COVER CONNECTION CLAMP ISO 38	1	314875.01		
401	◆	POLISHED FRONT COVER FLANGE ASEPTIK DIN 11864-BF-A DN40	1	314887.01		
401	◆	POLISHED FRONT COVER CONNECTION DIN 40	1	314871.01		
401	◆	POLISHED FRONT COVER CONNECTION SMS 38	1	314881.01		
401	◆	NOT POLISHED FRONT COVER CONNECTION SMS 38	1	314880.01		
596	◆	COMPLETE TRANSMISSION WITHOUT BELLOWS MONITORING SYSTEM	1	314797.02	■	●
		COMPLETE TRANSMISSION WITH BMS PRESSURE SWITCH :				
596B	◆	EXCEPT PUM WITH SUCTION PORT IN POSITION 1 - ATEX	1	315275.03	■	●
596B	◆	EXCEPT PUM WITH SUCTION PORT IN POSITION 1	1	315685.03	■	●
596C	◆	FOR PUMP WITH SUCTION PORT IN POSITION 1 - ATEX	1	315806.03	■	●
596C	◆	FOR PUMP WITH SUCTION PORT IN POSITION 1	1	315805.03	■	●

# SLS2 i

\* 1, 2, 4... : Quantity in equipment - (1), (2), (4)... : Quantity in kit

Item	Available	Description	Qty*	Ref.	Maintenance kit	Wear part
8	◆	<b>PLUGS + BREATHER</b>	1	311441.00		
715	◆	BREATHER	1	211144		●
773		PLUG	(1)			
774		SEAL	(1)			●
9	◆	<b>BEARING GASKETS _ SCREWS SET</b>	1	315025.00		
507		RING	(1)			●
575		NUT	(1)			
576		WASHER	(1)			
608		LIP SEAL	(2)			●
725		CIRCLIPS	(1)			
24	◆	<b>BENDEE BRACKET SCREWS SET</b>	1	315286.02		
24	◆	<b>TRUNK SCREWS SET</b>	1	315026.00		
144		SCREW	(4)			
25	◆	<b>BENDEE BRACKET KIT _SCREWS SL1 SL2 SL3</b>	1	315618.01		
144		SCREW	(4)			
785		BENDEE BRACKET	(1)			
100	◆	<b>JACKETED INLET MANIFOLD FLANGE ASEPTIK DIN 11864-BF-A DN40</b>	1	314926.00		
100	◆	<b>JACKETED INLET MANIFOLD CONNECTION CLAMP ASME BPE 38</b>	1	318582.00		
100	◆	<b>JACKETED INLET MANIFOLD CONNECTION CLAMP ISO 38</b>	1	314920.00		
100	◆	<b>JACKETED INLET MANIFOLD CONNECTION DIN 40</b>	1	314918.00		
100	◆	<b>JACKETED INLET MANIFOLD CONNECTION SMS 38</b>	1	314923.00		
101B		JACKETED INLET MANIFOLD	(1)			
124		PLUG	(2)			
101	◆	<b>NOT POLISHED INLET MANIFOLD CONNECTION CLAMP ASME BPE 38</b>	1	318583.00		
101	◆	<b>POLISHED INLET MANIFOLD CONNECTION CLAMP ASME BPE 38</b>	1	318587.00		
101	◆	<b>NOT POLISHED INLET MANIFOLD CONNECTION CLAMP ISO 38</b>	1	314852.00		
101	◆	<b>NOT POLISHED INLET MANIFOLD FLANGE ASEPTIK DIN 11864-BF-A DN40</b>	1	314864.00		
101	◆	<b>POLISHED INLET MANIFOLD CONNECTION CLAMP ISO 38</b>	1	314853.00		
101	◆	<b>POLISHED INLET MANIFOLD FLANGE ASEPTIK DIN 11864-BF-A DN40</b>	1	314865.00		
101	◆	<b>NOT POLISHED INLET MANIFOLD CONNECTION DIN 40</b>	1	314848.00		
101	◆	<b>POLISHED INLET MANIFOLD CONNECTION DIN 40</b>	1	314849.00		
101	◆	<b>POLISHED INLET MANIFOLD WITH CONNECTION SMS 38</b>	1	314859.00		
101	◆	<b>NOT POLISHED INLET MANIFOLD CONNECTION SMS 38</b>	1	314858.00		
119	◆	<b>SET OF STUDS AND NUTS</b>	1	314798.00		
105		STUD	(4)			
106		BLIND NUT	(4)			
111		STUD	(4)			
115		BLIND NUT	(4)			
119	◆	<b>SET OF STUDS AND NUTS - ATEX PRESSURE SWITCH</b>	1	315276.00		
105		STUD	(4)			
106		BLIND NUT	(4)			
111		STUD	(2)			
111A		STUD	(2)			
115		BLIND NUT	(4)			
200	◆	<b>SET CYLINDER _PISTON</b>	1	314815.01	■	
118		PIN	(1)			
201		CYLINDER	(1)			●
301		PISTON	(1)			●
309	◆	PISTON NUT	1	226535		
206	◆	<b>SET OF CVT 'O' RING SEALS</b>	1	314821.00	■	
206	◆	<b>SET OF FKM 'O' RING SEALS</b>	1	314820.01	■	
113		SEAL	(1)			●
205		SEAL	(1)			●
212		SEAL	(1)			●
305		SEAL	(1)			●
306		SEAL	(1)			●

## SLS2 i

\* 1, 2, 4... : Quantity in equipment - (1), (2), (4)... : Quantity in kit

Item	Available	Description	Qty*	Ref.	Maintenance kit	Wear part
401	◆	NOT POLISHED FRONT COVER CONNECTION CLAMP ASME BPE 38	1	318584.00		
401	◆	POLISHED FRONT COVER CONNECTION CLAMP ASME BPE 38	1	318588.00		
401	◆	NOT POLISHED FRONT COVER CONNECTION CLAMP ISO 38	1	314874.01		
401	◆	NOT POLISHED FRONT COVER FLANGE ASEPTIK DIN 11864-BF-A DN40	1	314886.01		
401	◆	NOT POLISHED FRONT COVER CONNECTION DIN 40	1	314870.01		
401	◆	POLISHED FRONT COVER CONNECTION CLAMP ISO 38	1	314875.01		
401	◆	POLISHED FRONT COVER FLANGE ASEPTIK DIN 11864-BF-A DN40	1	314887.01		
401	◆	POLISHED FRONT COVER CONNECTION DIN 40	1	314871.01		
401	◆	POLISHED FRONT COVER CONNECTION SMS 38	1	314881.01		
401	◆	NOT POLISHED FRONT COVER CONNECTION SMS 38	1	314880.01		
596	◆	COMPLETE TRANSMISSION WITHOUT BELLOWS MONITORING SYSTEM	1	314797.02	■	●
		COMPLETE TRANSMISSION WITH BMS PRESSURE SWITCH :				
596B	◆	EXCEPT PUM WITH SUCTION PORT IN POSITION 1 - ATEX	1	315275.03	■	●
596B	◆	EXCEPT PUM WITH SUCTION PORT IN POSITION 1	1	315685.03	■	●
596C	◆	FOR PUMP WITH SUCTION PORT IN POSITION 1 - ATEX	1	315806.03	■	●
596C	◆	FOR PUMP WITH SUCTION PORT IN POSITION 1	1	315805.03	■	●

# SLS3 i

\* 1, 2, 4... : Quantity in equipment - (1), (2), (4)... : Quantity in kit

Item	Available	Description	Qty*	Ref.	Maintenance kit	Wear part
8	◆	PLUGS + BREATHER	1	311441.00		
715	◆	BREATHER	1	211144		●
773		PLUG	(1)			
774		SEAL	(1)			●
9	◆	BEARING GASKETS _ SCREWS SET	1	315025.00		
507		RING	(1)			●
575		NUT	(1)			
576		WASHER	(1)			
608		LIP SEAL	(2)			●
725		CIRCLIPS	(1)			
24	◆	BENDEE BRACKET SCREWS SET	1	315286.02		
24	◆	TRUNK SCREWS SET	1	315026.00		
144		SCREW	(4)			
25	◆	BENDEE BRACKET KIT _ SCREWS SL1 SL2 SL3	1	315618.01		
144		SCREW	(4)			
785		BENDEE BRACKET	(1)			
100	◆	JACKETED INLET MANIFOLD FLANGE ASEPTIK DIN 11864-BF-A DN40	1	314926.00		
100	◆	JACKETED INLET MANIFOLD CONNECTION CLAMP ASME BPE 38	1	318582.00		
100	◆	JACKETED INLET MANIFOLD CONNECTION CLAMP ISO 38	1	314920.00		
100	◆	JACKETED INLET MANIFOLD CONNECTION DIN 40	1	314918.00		
100	◆	JACKETED INLET MANIFOLD CONNECTION SMS 38	1	314923.00		
101B		JACKETED INLET MANIFOLD	(1)			
124		PLUG	(2)			
101	◆	NOT POLISHED INLET MANIFOLD CONNECTION CLAMP ASME BPE 38	1	318583.00		
101	◆	POLISHED INLET MANIFOLD CONNECTION CLAMP ASME BPE 38	1	318587.00		
101	◆	NOT POLISHED INLET MANIFOLD CONNECTION CLAMP ISO 38	1	314852.00		
101	◆	NOT POLISHED INLET MANIFOLD FLANGE ASEPTIK DIN 11864-BF-A DN40	1	314864.00		
101	◆	POLISHED INLET MANIFOLD CONNECTION CLAMP ISO 38	1	314853.00		
101	◆	POLISHED INLET MANIFOLD FLANGE ASEPTIK DIN 11864-BF-A DN40	1	314865.00		
101	◆	NOT POLISHED INLET MANIFOLD CONNECTION DIN 40	1	314848.00		
101	◆	POLISHED INLET MANIFOLD CONNECTION DIN 40	1	314849.00		
101	◆	POLISHED INLET MANIFOLD WITH CONNECTION SMS 38	1	314859.00		
101	◆	NOT POLISHED INLET MANIFOLD CONNECTION SMS 38	1	314858.00		
119	◆	SET OF STUDS AND NUTS	1	314798.00		
105		STUD	(4)			
106		BLIND NUT	(4)			
111		STUD	(4)			
115		BLIND NUT	(4)			
119	◆	SET OF STUDS AND NUTS - ATEX PRESSURE SWITCH	1	315276.00		
105		STUD	(4)			
106		BLIND NUT	(4)			
111		STUD	(2)			
111A		STUD	(2)			
115		BLIND NUT	(4)			
200	◆	SET CYLINDER _ PISTON	1	314816.01	■	
118		PIN	(1)			
201		CYLINDER	(1)			●
301		PISTON	(1)			●
309	◆	PISTON NUT	1	226535		
206	◆	SET OF CVT 'O' RING SEALS	1	314821.00	■	
206	◆	SET OF FKM 'O' RING SEALS	1	314820.01	■	
113		SEAL	(1)			●
205		SEAL	(1)			●
212		SEAL	(1)			●
305		SEAL	(1)			●
306		SEAL	(1)			●



## SLS3 i

\* 1, 2, 4... : Quantity in equipment - (1), (2), (4)... : Quantity in kit

Item	Available	Description	Qty*	Ref.	Maintenance kit	Wear part
401	◆	NOT POLISHED FRONT COVER CONNECTION CLAMP ASME BPE 38	1	318584.00		
401	◆	POLISHED FRONT COVER CONNECTION CLAMP ASME BPE 38	1	318588.00		
401	◆	NOT POLISHED FRONT COVER CONNECTION CLAMP ISO 38	1	314874.01		
401	◆	NOT POLISHED FRONT COVER FLANGE ASEPTIK DIN 11864-BF-A DN40	1	314886.01		
401	◆	NOT POLISHED FRONT COVER CONNECTION DIN 40	1	314870.01		
401	◆	POLISHED FRONT COVER CONNECTION CLAMP ISO 38	1	314875.01		
401	◆	POLISHED FRONT COVER FLANGE ASEPTIK DIN 11864-BF-A DN40	1	314887.01		
401	◆	POLISHED FRONT COVER CONNECTION DIN 40	1	314871.01		
401	◆	POLISHED FRONT COVER CONNECTION SMS 38	1	314881.01		
401	◆	NOT POLISHED FRONT COVER CONNECTION SMS 38	1	314880.01		
596	◆	COMPLETE TRANSMISSION WITHOUT BELLOWS MONITORING SYSTEM	1	314797.02	■	●
		COMPLETE TRANSMISSION WITH BMS PRESSURE SWITCH :				
596B	◆	EXCEPT PUM WITH SUCTION PORT IN POSITION 1 - ATEX	1	315275.03	■	●
596B	◆	EXCEPT PUM WITH SUCTION PORT IN POSITION 1	1	315685.03	■	●
596C	◆	FOR PUMP WITH SUCTION PORT IN POSITION 1 - ATEX	1	315806.03	■	●
596C	◆	FOR PUMP WITH SUCTION PORT IN POSITION 1	1	315805.03	■	●