

## APV DELTA RG4

MODULATING VALVE

FORM NO.: 170719 REVISION: UK-5

READ AND UNDERSTAND THIS MANUAL PRIOR TO OPERATING OR SERVICING THIS PRODUCT.





## EU Declaration of Conformity for Valves and Valve Manifolds

SPX FLOW TECHNOLOGY GERMANY GMBH  
Gottlieb-Daimler-Str. 13, D-59439 Holzwickede  
herewith declares that the

**APV double seal and double seat valves of the series  
SD4, SDT4, SDU4, SDMS4, SDMSU4, SDTMS4, SWcip4, DSV,  
DA3, DA3SLD, DE3, DEU3, DET3, DKR2, DKRT2, DKRH2**  
in the nominal diameters DN 25 - 150, ISO 1" – 6" and 1 Sh5 - 6 Sh5

**APV butterfly valves of the series SV1 and SVS1F, SVL and SVSL**  
in the nominal diameters DN 25 - 100, DN 125 - 250 and ISO 1" – 4"

**APV ball valves of the series KHI, KHV**  
in the nominal diameters DN 15 - 100

**APV single seat, diaphragm and spring loaded valves of the series  
S2, SW4, SWhp4, SW4DPF, SWmini4, SWT4, SWS4, MF4, MS4, MSP4, AP/T1, CPV,  
RG4, RG4DPF, RGMS4, RGE4, RGE4DPF, RGEMS4, PR2, PRD2, SI2, UF/R3, VRA/H**  
in the nominal diameters DN 10 - 150, ISO 1/2" – 4" and 1 Sh5 - 6 Sh5

and the valve manifolds installed thereof

meet the requirements of the Directives 2006/42/EC (superseding 89/392/EEC  
and 98/37/EC) and ProdSG (superseding GPSG - 9.GPSGV).

For official inspections, SPX FLOW presents  
a technical documentation according to Appendix VII of the Machinery Directive,  
this documentation consisting of documents of the development and construction,  
description of measures taken to meet the conformity and to correspond with  
the basic requirements on safety and health, incl. an analysis of the risks,  
as well as an operating manual with safety instructions.

The conformity of the valves and valve manifolds is guaranteed.

Authorised person for the documentation:  
Frank Baumbach

SPX FLOW TECHNOLOGY GERMANY GMBH  
Gottlieb-Daimler-Str. 13, D-59439 Holzwickede, Germany

November 2017

*ppa. Baumbach*

Frank Baumbach  
Regional Engineering Manager, F&B Components



<b>Contents:</b>		<b>Page</b>
<b>1.</b>	<b>General Terms</b>	<b>2</b>
<b>2.</b>	<b>Safety Instructions</b>	<b>2</b>
<b>3.</b>	<b>Mode of Operation</b>	<b>2 - 3</b>
<b>4.</b>	<b>Intended Use</b>	<b>4</b>
<b>5.</b>	<b>Installation</b>	<b>4</b>
5.1	Welding Instructions	
<b>6.</b>	<b>Maintenance</b>	<b>5</b>
<b>7.</b>	<b>Materials</b>	<b>5 - 6</b>
<b>8.</b>	<b>Dimensions</b>	<b>6 - 10</b>
8.1	Installation of integrated valve positioner (metric dimensions)	
8.2	Installation of integrated valve positioner (inch dimensions)	
8.3	Installation of valve positioner according to NAMUR (metric dimensions)	
8.4	Installation of valve positioner according to NAMUR (inch dimensions)	
<b>9.</b>	<b>Technical Data</b>	<b>11 - 12</b>
9.1	General data	
9.2	Compressed air quality	
9.3	Kvs - values in m <sup>3</sup> /h, valve stroke, Ø valve seat	
<b>10.</b>	<b>Service Instructions</b>	<b>13 - 16</b>
10.1.	Dismantling from the line system	
10.2.	Dismantling of valve for replacement of wear parts	
10.3.	Dismantling of valve for change of kvs - value or characteristics	
10.4.	Assembly of valve and installation of new wear parts	
10.5.	Assembly of valve for change of kvs - value or characteristics	
<b>11.</b>	<b>Spare Parts Lists</b>	
	<b>RG4 DIN design</b>	<b>RN 01.170.0</b>
	<b>RG4 Inch design</b>	<b>RN 01.170.1</b>
	<b>RG4 3-A Inch design</b>	<b>RN 01.170.8</b>
	<b>Pneumatic actuator</b>	<b>RN 01.170.13-1,-2,-3,-4</b>
	<b>Parts substitution list</b>	<b>RN 261.558</b>



---

## 1. General Terms

---

This instruction manual should be read carefully by the competent operating and maintenance personnel.

We point out that we will not accept any liability for damage or malfunctions resulting from the non-compliance with this manual.

Descriptions and data are subject to technical changes.

---

## 2. Safety Instructions

---



### **DANGER!**

- The technical safety symbol draws your attention to important directions for operating safety. You will find it wherever the activities described are bearing risks of personal injury.
- Do not reach into the yoke area or into the actuating area (valve positioner) when the valve is installed. Risk of injury by sudden valve actuation.
- Electric or pneumatic lines must be disconnected before assembly or disassembly of the valve (e.g. for seal exchange purposes).
- Do not reach into the valve body when the valve is dismantled. Otherwise, observe the instructions given for the installed valve state.

---

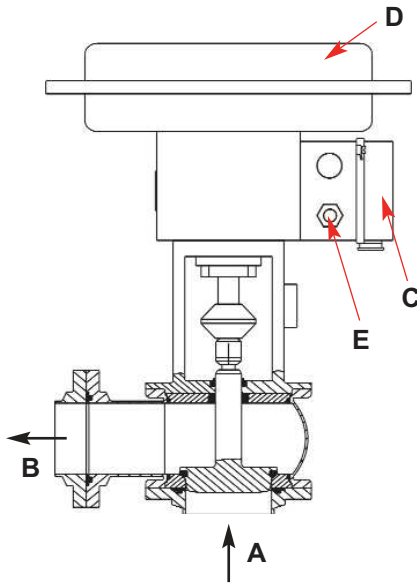
## 3. Mode of Operation

---

- Hygienic modulating valves DELTA RG4 are used for the continuous control of liquid flows in beverage and food technology as well as in the chemical and pharmaceutical industry. Modulating valves are suited for the flow and pressure control of liquids and gases.
- In its basic construction, the DELTA RG4 valve is designed as corner valve and, thus, ensures a good diversion of liquid flows. The flow direction is from **A** to **B** (see fig. 1).
- The body being free from dead spaces proves optimum cleaning conditions. The crevice-free sealing of the individual parts of the body is effected by profile seals, thus eliminating any source of infection.
- The relation between flow and cone stroke is defined by the characteristics.
- Different kvs values (flow) at certain nominal dimensions can be reached by different inserts (valve seat / valve cone).

## 3. Mode of Operation

fig. 1  
installation with  
integrated positioner



- The table (item 11) shows the parts which have to be replaced if flow rates are changed. The design of the valves with regard to the actuating pressure range or flow rate is made by the manufacturer.
- The connections for the electric and pneumatic supply lines are located at the valve positioner (E).

The pneumatic actuator (D) provides the path and the force to open or to close the control element. The diaphragm actuator is suited for longer actuating distances at minimum self-friction. The valve positioner (C) guarantees the preset coordination between valve position and control signal. It compares the control signal (4-20 mA) given by the control device with the stroke of the control element and defines the pneumatic actuating pressure as output signal.

Depending on the specific requirement, the modulating valve can be operated either with spring opening or with spring closing function.

### MFS - diaphragm actuator, spring closing

The actuator opens by actuating pressure and closes by spring pressure.

### MFH - diaphragm actuator, spring opening

The actuator closes by actuating pressure and opens by spring pressure.

For the various applications, the diaphragm actuators are supplied with different diaphragm surfaces and different actuating pressures.

In its standard design, the valve positioner is a electro-pneumatic transformer. A pneumatic valve positioner (control signal 0.2-1.0 bar) is also available for specific operations.

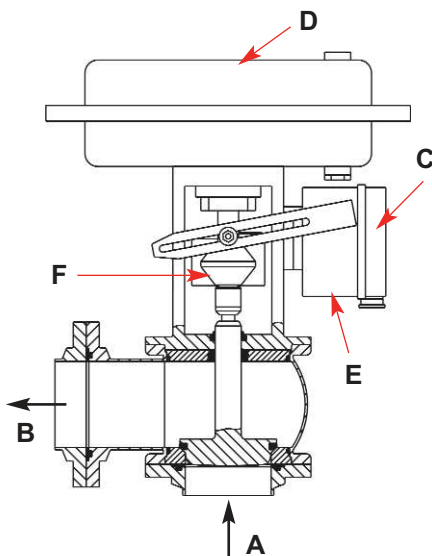
The direction of flows transferred can be rising (directional equality >>) or falling (directional reverse <>).

The valve positioner can be installed in two different ways:

- 1) valve positioner integrated in the diaphragm actuator; the feedback of the valve position is effected as mechanical tap at the valve shaft within the integrated positioner (fig. 1).
- 2) valve positioner according to NAMUR (fig. 2); the positioner is installed at the valve yoke by means of a rib. The feedback of the valve position is effected via the operating cam with fastening plate installed at the valve shaft.

Valve position indication can also be effected in the positioner - either by indication of the valve end position or by an analog feedback for the whole stroke range (4-20 mA).

fig. 2  
installation with  
positioner according to NAMUR





---

## 4. Intended Use

---

The intended use as field of application of the DELTA RG4 modulating valve is the continuous control of liquid flows in beverage and food technology as well as in the chemical and pharmaceutical industry.

Arbitrary, constructive changes at the valve will influence safety as well as the intended functionality of the valve and are not permissible.

### **Authorizations and External Evaluations**

3-A Sanitary Standards, Inc.  
ATEX (Directive 2014/34/EU)

---

## 5. Installation

---

- The DELTA RG4 must be installed in such a manner that the product or the cleaning liquid can drain off the valve housing. Priority should be given to a vertical installation.
- **Attention !** Observe Welding Instructions.

### 5.1 Welding Instructions

- Before welding, the flanges must be dismantled from the valve housing, just tacking or adjustment of the valves should be carried out with fixed flanges.
- Welding may only be carried out by certified welders (DIN EN ISO 9606-1). (Seam quality DIN EN ISO 5817).
- The welding of the valve housings must be undertaken in such a way that deformation strain cannot be transferred to the valve body.
- The preparation of the weld seam up to 3 mm thickness must be carried out in butt manner as an square butt joint without air. (Consider shrinkage!)
- TIG orbital welding is best!
- After welding of the valve housing or of the mating flanges and after work at the pipelines, the corresponding parts of the installation or pipelines must be cleaned from welding residues and soiling. If these cleaning instructions are not observed, welding residues and dirt particles can settle in the valve and cause damage.
- Any damage resulting from the nonobservance of these welding instructions is not subject to our guarantee.
- Welding directives for aseptic applications shall be drawn from the AWS/ANSI Directives and EHEDG Guidelines.

---

## 6. Maintenance

---

- Dismantling and installation of valve seat / valve cone according to Service Instructions (item 9).
- Dismantling and installation of seals according to Service Instructions.
- All seals should be lightly greased before being installed.

**Recommendation:**

APV assembly grease for EPDM and FPM

(0,75 kg/ can - Ref.-No. 000 70-01-019/93; H147382)

(60 g/ tube - Ref.-No. 000 70-01-018/93; H147381)

**or**

APV assembly grease for VMQ and NBR

(0,6 kg/ can - Ref.-No. 000 70-01-017/93; H147380)

(60 g/ tube - Ref.-No. 000 70-01-016/93; H147379)

**! Do not use grease containing mineral oil for EPDM seals.****! Do not use Silicone-based grease with VMQ seals.**


---

## 7. Materials

---

<b>Part:</b>	<b>Material:</b>
- housing, valve shaft, housing cover, valve seat, flanges	1.4404 (AISI 316L) (DIN EN 10088)
- valve yoke	1.4308 (DIN EN 10088)
- coupling (compl.) screws, nuts	1.4301 (DIN EN 10088)
- housing seal	standard EPDM (FPM, VMQ)
- seat seal, shaft seal seal FGN1	standard EPDM (FPM, VMQ)
- type plate	PVC label

---

## 7. Materials

---

**Part :****Material:****Diaphragm actuator**

- |                                      |                                    |
|--------------------------------------|------------------------------------|
| - diaphragm shells                   | sheet steel<br>plastic coated      |
| - diaphragm                          | NBR or EPDM with<br>fabric insert  |
| - connection rod, intermediate piece | 1.4301 (DIN EN 10088)              |
| - springs                            | 1.1250 or 1.7102<br>plastic coated |

**Valve positioner**

- |                  |   |
|------------------|---|
| - housing        | aluminium pressure die<br>casting, plastic coated or<br>plastic |
| - external parts | 1.4301 and 1.4104<br>(DIN EN 10088)                             |
- 

## 8. Dimensions

---

**7.1** Installation of integrated valve positioner  
(metric dimensions)

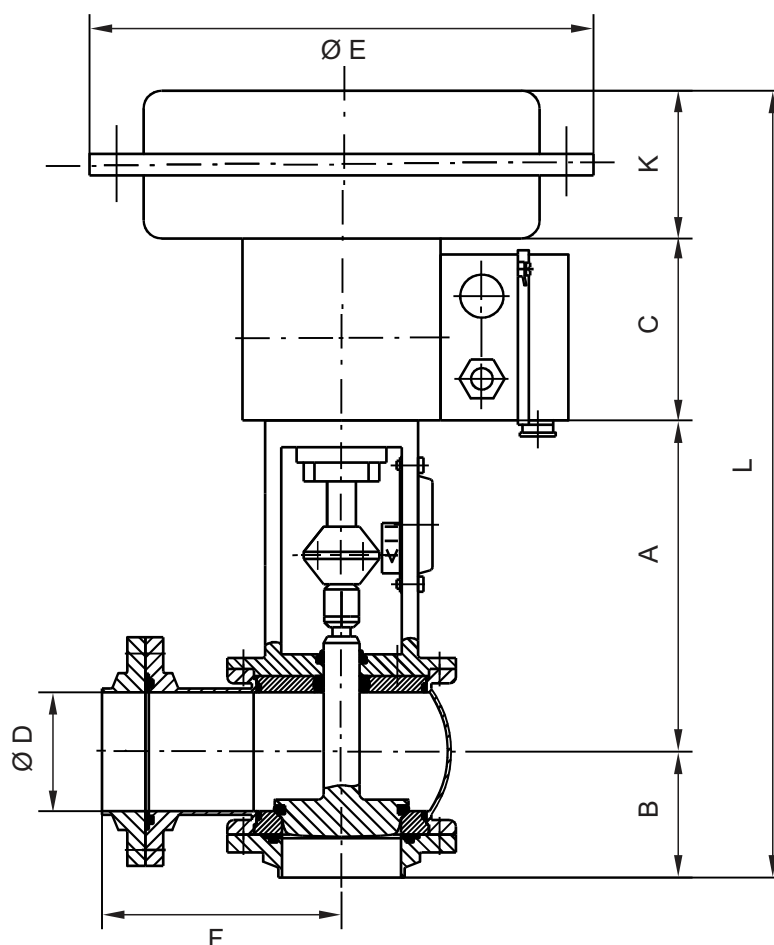
**7.2** Installation of integrated valve positioner  
(inch dimensions)

**7.3** Installation of valve positioner according to NAMUR  
(metric dimensions)

**7.4** Installation of valve positioner according to NAMUR  
(inch dimensions)

## 8. Dimensions

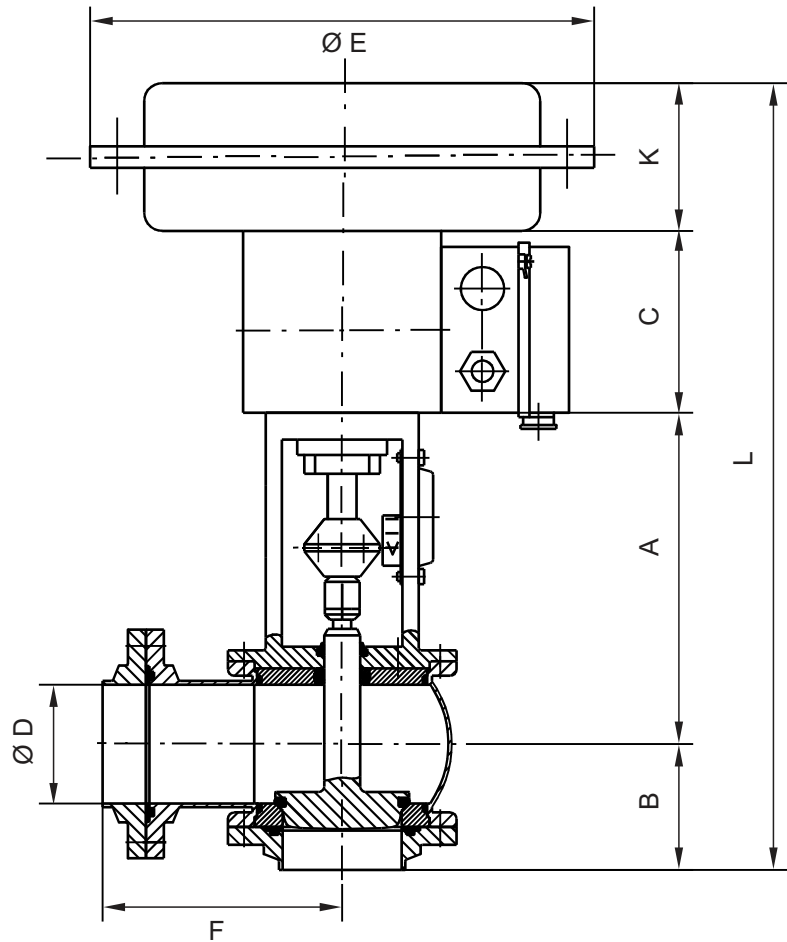
### 8.1 Installation of integrated valve positioner (metric dimensions)



DN	actuating surface (cm <sup>2</sup> )	L	A	B	C	Ø D	F	Ø E	K	weight in kg
25	120	371	163,5	49,5	88	26	98	168	70	9,9
	240	379			101			240	65	10,8
40	120	389	169,5	55,5	88	38	115	168	70	11,7
	240	391			101			240	65	12,1
	350	411			101			280	85	15,1
50	120	395	175,5	61,5	88	50	120	168	70	12,2
	240	403			101			240	65	12,7
	350	423			101			280	85	15,7
65	240	420	184,0	70,0	101	66	133	240	65	15,1
	350	440			280			85	17,4	
80	240	435	191,5	77,5	101	81	146	240	65	16,2
	350	455			280			85	19,8	
100	350	474	201,0	87,0	101	100	159	280	85	22,7
	700	540	217,0		390			135	38,7	
125	350	506	215,5	104,5	101	125	184	280	85	23,9
	700	576	226,5		390			135	39,8	
150	700	592	239,0	117,0	101	150	204	390	135	44,0

## 8. Dimensions

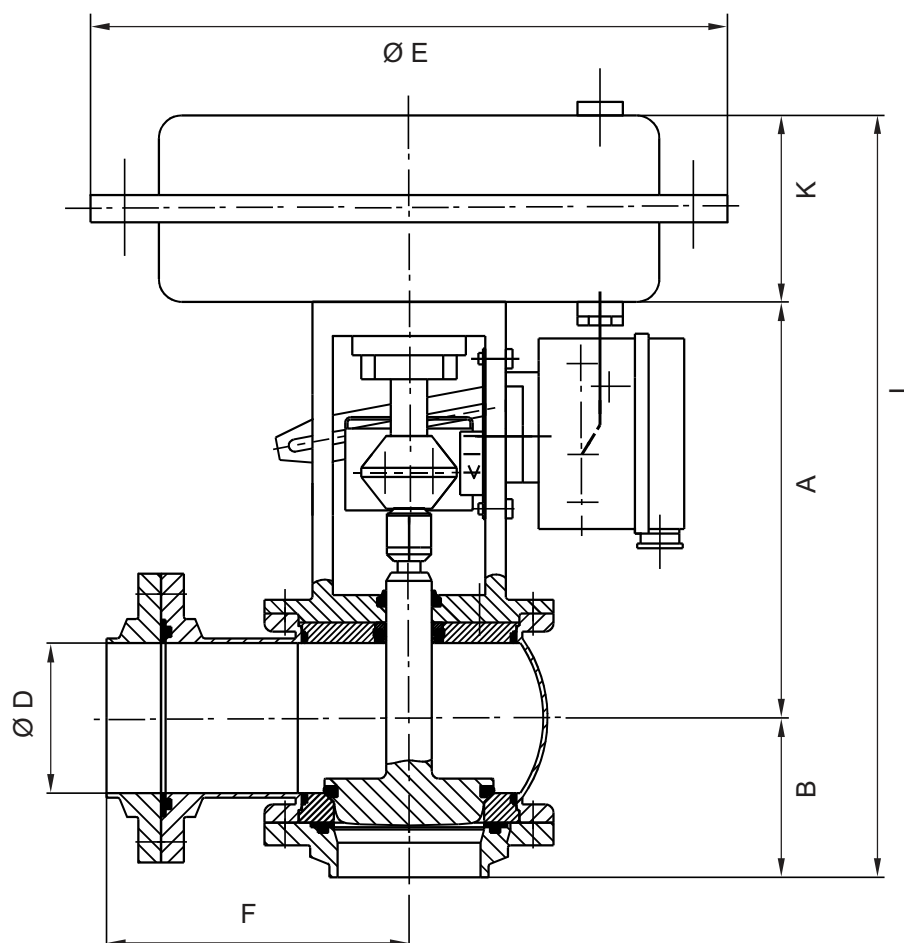
### 8.2 Installation of integrated valve positioner (inch dimensions)



Inch	actuating surface (cm <sup>2</sup> )	L	A	B	C	Ø D	F	Ø E	K	weight in kg
1"	120	367,2	161,6	47,6	88	22,2	98	168	70	9,9
	240	375,2			101			240	65	10,8
1,5"	120	379,9	167,9	53,9	88	34,9	115	168	70	11,7
	240	387,9			101			240	65	12,1
	350	407,9			101			280	85	15,1
2"	120	392,6	174,3	60,3	88	47,6	120	168	70	12,2
	240	400,6			101			240	65	12,7
	350	420,6			101			280	85	15,7
2,5"	240	414,4	181,2	67,2	101	60,3	133	240	65	15,1
	350	434,4			280			85	17,4	
3"	240	427,0	187,5	73,5	101	72,9	146	240	65	16,2
	350	447,0			280			85	19,8	
4"	350	471,6	199,8	85,8	101	97,6	159	280	85	22,7
	700	537,6	215,8		390			135	38,7	

## 8. Dimensions

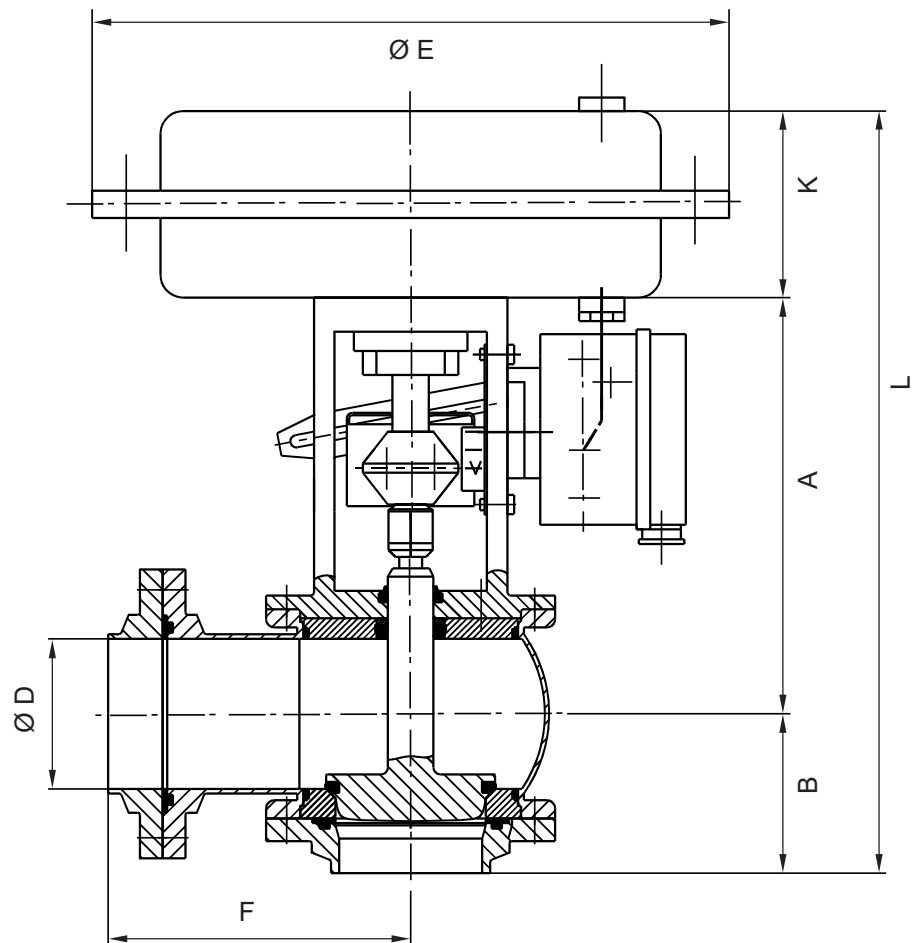
### 8.3 Installation of valve positioner according to NAMUR (metric dimensions)



DN	actuating surface (cm <sup>2</sup> )	L	A	B	Ø D	F	Ø E	K	weight in kg
25	120	282	163,5	49,5	26	98	168	69	9,9
	240	275						62	10,8
40	120	294	169,5	55,5	38	115	168	69	11,7
	240	287						62	12,1
	350	307						82	15,1
50	120	306	175,5	61,5	50	120	168	69	12,2
	240	299						62	12,7
	350	319						82	15,7
65	240	316	184,0	70,0	66	133	240	62	15,1
	350	336						82	17,4
80	240	331	191,5	77,5	81	146	240	62	16,2
	350	351						82	19,8
100	350	370	201,0	87,0	100	159	280	82	22,7
	700	438	217,7					134	38,7
125	350	402	215,5	104,5	125	184	280	82	23,9
	700	465	226,5					134	39,8
150	700	490	239,0	117,0	150	204	390	134	44,0

## 8. Dimensions

### 8.4 Installation of valve positioner according to NAMUR (inch dimensions)



Inch	actuating surface (cm <sup>2</sup> )	L	A	B	Ø D	F	Ø E	K	weight in kg
1"	120	278,2	161,6	47,6	22,2	98	168	69	9,9
	240	271,2						62	10,8
1,5"	120	290,9	167,9	53,9	34,9	115	168	69	11,7
	240	283,9						62	12,1
	350	303,9						82	15,1
2"	120	303,6	174,3	60,3	47,6	120	168	69	12,2
	240	296,6						62	12,7
	350	316,6						82	15,7
2,5"	240	310,4	181,2	67,2	60,3	133	240	62	15,1
	350	330,4						82	17,4
3"	240	323,0	187,5	73,5	72,9	146	240	62	16,2
	350	343,0						82	19,8
4"	350	367,6	215,8	85,8	97,6	159	280	82	22,7
	700	435,6						134	38,7

## 9. Technical Data

### 9.1. General data

- premissible operating pressure
 

DN 25 - 65 / 1" - 2,5"	25 bar
DN 80 - 100 / 3" - 4"	16 bar
DN 125 - 150	10 bar
  
- correcting ratio
 

1: 50
-------
  
- standard design
 

housing 1.4404
inner surface
polished Ra 0,8 µm
external surface satin finish
  
- seal materials
 

EPDM (FPM, VMQ, HNBR)
-----------------------
- max. operating temperature
 

135 °C EPDM, HNBR
*FPM, *VMQ
- short-term load
 

140 °C EPDM, HNBR
*FPM, *VMQ
*(no steam)
  
- control pressure of diaphragm actuator
 

max. 6 bar
(min. 0,4 bar above max. actuating pressure,
e.g. 0,6 - 3 bar
*min.: 3,4 bar)
  
- reference variable of electro-pneumatic positioner
 

4 - 20 mA
-----------
- reference variable of pneumatic positioner
 

0,2 - 1 bar
-------------
  
- ambient temperature
 

0 - 40 °C
-----------

### 9.2. Specification of compressed air quality

**compressed air quality:** quality class according to DIN ISO 8573-1

**content of solid particles: *quality class 3***  
 max. size of solid particles per m<sup>3</sup>  
 10000 of 0,5 µm < d < 1,0 µm  
 500 of 1,0 µm < d < 5,0 µm

**content of water: *quality class 3***  
 max. dew point temperature -20 °C  
 For installations at lower temperatures or at higher altitudes, additional measures must be considered to reduce the pressure dew point accordingly.

**content of oil: *quality class 1***  
 max. 0,01 mg/m<sup>3</sup>

**The oil applied must be compatible with Polyurethane elastomer materials.**



## 9. Technical Data

### 9.3. Kvs - values in m<sup>3</sup>/h, valve stroke, Ø valve seat (S)

DN25		DN40		DN 50		DN 65		DN 80		DN 100		DN 125		DN 125		DN 150			
stroke 15 mm		stroke 15 mm		stroke 15 mm		stroke 15 mm		stroke 15 mm		stroke 15 mm		stroke 15 mm		stroke 30 mm		stroke 30 mm			
kvs	S Ø	kvs	S Ø	kvs	S Ø	kvs	S Ø	kvs	S Ø	kvs	S Ø	kvs	S Ø	kvs	S Ø	kvs	S Ø		
10,0	26	25	38	40	50	63	66	100	81	160	100			250	125	400	150		
6,3		16																	
4,0	13	10	26	25	38	40	50	63	66	100	81	160	100	160	100	250	125		
2,5		6,3		16															
1,6*	8	4,0	13	10	26	25	38	40	50	63	66	100	81			160	100		
1,0		2,5		6,3		16													
0,63*	4																		
0,4*																			
0,25*																			

1"		1,5"		2"		2,5"		3"		4"		
stroke 15 mm		stroke 15 mm		stroke 15 mm		stroke 15 mm		stroke 15 mm		stroke 15 mm		
kvs	S Ø	kvs	S Ø	kvs	S Ø	kvs	S Ø	kvs	S Ø	kvs	S Ø	
10,0	26	25	38	40	50	63	66	80	72,9	160	100	
6,3		16										
4,0	13	10	26	25	38	40	50	63	66	100	81	
2,5		6,3		16								
1,6*	8	4,0	13	10	26	25	38	40	50	63	66	
1,0		2,5		6,3		16						
0,63*	4											
0,4*												
0,25*												

\* = metal sealing

## 10. Service Instructions

---

### 10.1. Dismantling from the line system

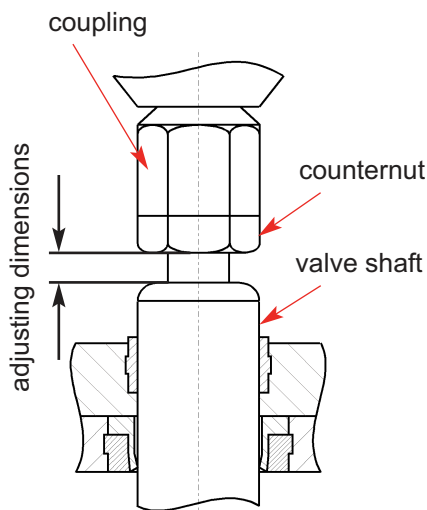
(The item numbers refer to the spare parts drawings.)

1. Shut off line pressure.
2. Shut off and disconnect air control line.
3. Shut off control power and disconnect connecting line.
4. Dismantle positioners (proximity switches) (if existent).
5. Loosen flange connection (hexagon screws, item **6** and nuts, item **7**).
6. Detach flange / housing connection (hexagon screw, item **4**).
7. Remove modulating valve from the line.

## 10. Service Instructions

### 10.2. Dismantling of valve to replace wear parts

1. See chapter 10.1. items 1. - 7.
2. Loosen fastening screws (14) and take valve insert with positioner and diaphragm actuator out of the housing (1). If necessary, screw two fastening screws (14) into the bores provided at the valve yoke (12) and push insert out of the housing.
3. Take valve seat (28) out of the housing (1).
4. Loosen coupling between actuator rod and valve shaft and pull valve shaft (26) out of the housing cover (9).
5. Release hexagon screw (13) and take housing cover from the valve yoke (12).
6. Remove seat seals (27) from valve shaft (cone). Loosen head of coupling (33) and conternut (23) from valve shaft (26).



**Note: Observe adjusting dimensions between counter nut and valve shaft!**

7. Remove housing seals (8) from valve seat (28) and from housing cover (9).
8. Remove shaft seal (10) from housing cover (9), remove bushing (11) from yoke (12).
9. Remove flange seals (3) from housing (1) and dismantle housing flange (5).

### 10.3. Disassembly of the valve for change of flow rate and characteristics

1. See chapter 9.2. items 1. - 4.
2. If, in case of change of flow rates, the diaphragm actuator (32 / 35) must also be exchanged, remove air hose (19), loosen nut by means of hammer and chisel and take off actuator.
3. Loosen head of coupling (33) and counter nut (23) from the valve shaft (26).  
(Note: Observe adjusting dimensions of counter nut and valve shaft!).

## 10. Service Instructions

### 10.4. Assembly of the valve and installation of new parts



**CAUTION!**

To ensure a trouble-free assembly and a high service life of all wear parts (seals, guides, etc.), all parts must be slightly greased. Sharp-edged tools (screwdrivers or similar tools) must not be used for the installation to avoid damage to the parts and provide their faultless function.

1. Place housing seal (8) onto the valve seat (28) and insert seat into housing (1).
2. Insert flange seals (3) into the housing flange (to 1) and into the flange (5) and install the housing (1) in the line system by means of screws and nuts (4, 6, 7).

**CAUTION!**

Provide for proper alignment of housing and line flanges!

3. Insert seat seal (27) into valve shaft (26).

**CAUTION!**

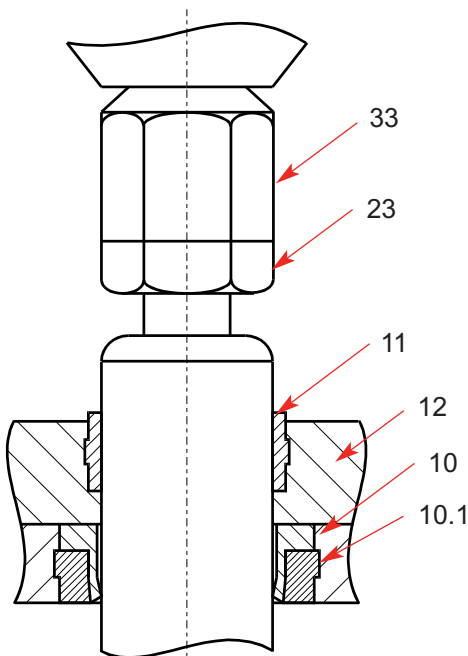
To prevent air from being trapped in the groove, use suitable tool to vent the groove.

4. Insert shaft seal (10) into the housing cover (9). Insert bushing (11) into the yoke (12). Tighten cover (9) with the valve yoke (2) by hand.
5. Place housing seal (8) on the housing cover (9).
6. Insert valve shaft into the valve yoke. Screw counternut (23) and coupling (33) on the thread of the valve shaft (26). Connect the valve shaft and actuator rod of the diaphragm actuator by means of the coupling. (For NAMUR installation, slide the carrier pin of the positioner (21) into the fastening plate.)

**CAUTION! (FOR NAMUR INSTALLATION)**

In case of different operating modes of the diaphragm actuator (MFS or MFH), the position of the valve positioner as against the fastening plate is also different.

7. Push valve insert into the housing and fasten it at the housing flange by means of the hexagon nuts (14).
8. Firmly tighten coupling and hexagon nuts (13).
9. Connect electric and pneumatic supply lines.



---

## 10. Service Instructions

---

### 10.5. Assembly of valve to change flow rates and characteristics

Parts to be replaced - please see item 11.

1. The available wear parts (seals and guides) have to be checked for their proper function.  
Damaged parts must be replaced immediately.  
(designations and ref.-No. see spare parts list item 10).
2. See chapter 9.4. items 1. - 6.
3. Place diaphragm actuator **(32/35)** on the valve yoke **(14)**, screw the bolt onto the thread and firmly fasten it with hammer and chisel.
4. Firmly tighten the coupling.
5. In case of NAMUR installation, adjust carrier pin of the positioner **(29)** if necessary.
6. Connect electric and pneumatic supply lines and readjust positioner if necessary.

---

## 11. Spare parts list

---

**(see annex)**

The reference numbers of the spare parts for the different valve designs and sizes are included in the attached spare parts drawings with corresponding lists.

Please indicate the following data to place an order for spare parts:

- required number of parts
- reference number
- designation.

Data are subject to change.



Weitergabe sowie Vervielfältigung dieser Unterlage, Verwertung und Mitteilung ihres Inhalts nicht gestattet, soweit nicht schriftlich zugestanden. Verstößt verpflichtet zum Schadensersatz und kann strafrechtliche Folgen haben (Paragraf 18 UWG, Paragraf 106 UrhG). Eigentum und alle Rechte, auch für Patenterteilung und Gebrauchsmustererteilung, vorbehalten. SPX FLOW, Germany

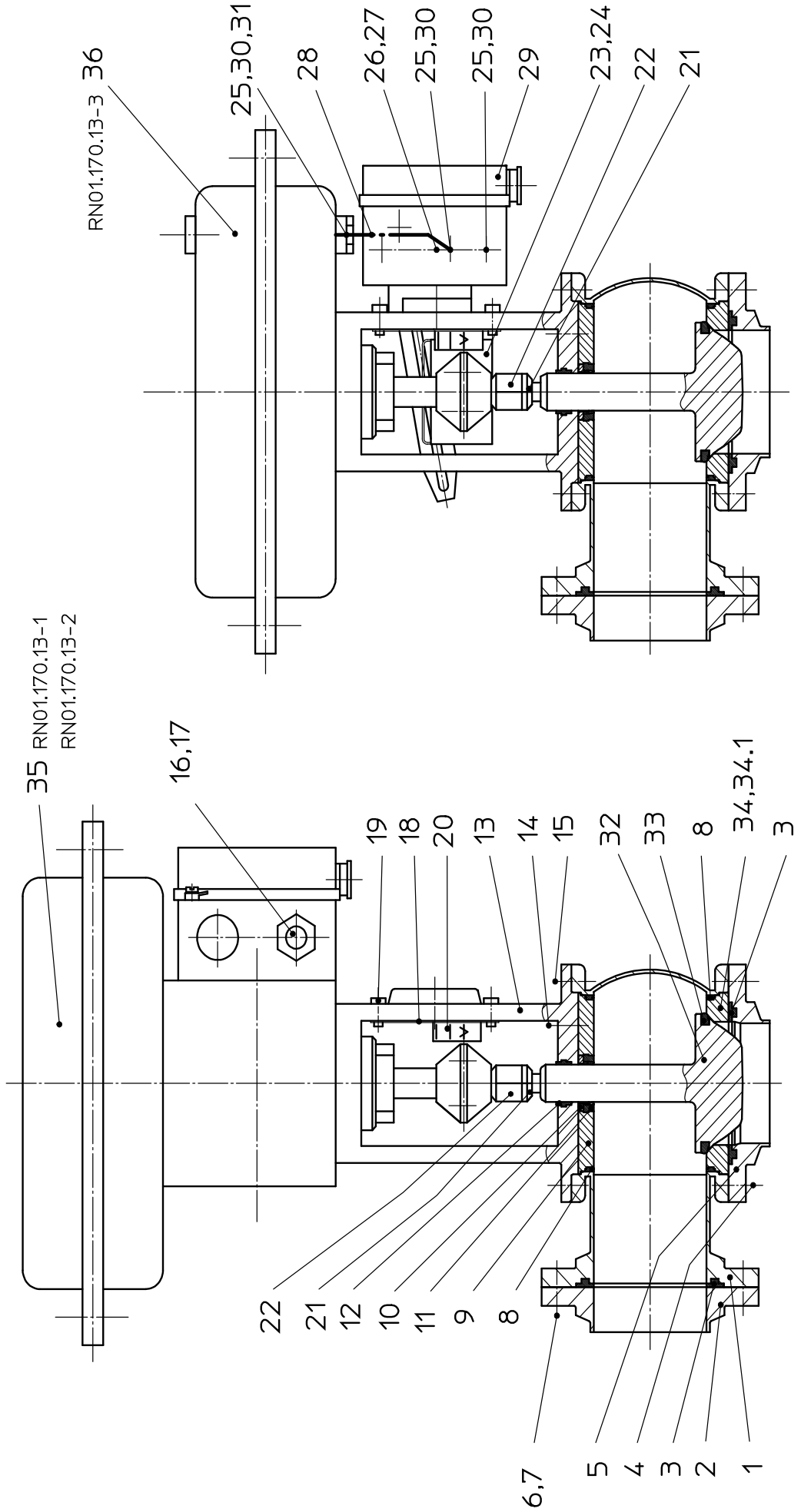
**Ersatzteilliste: spare parts list**

**Regelventil RG4-Antrieb MAT 3277 oder MAT 271 (MFS oder MFH) 120,240,350,700cm<sup>2</sup> digitaler el.-pneum. oder pneum. Stellungsregler ; lineare oder gleichprozentige Kennlinie. Modulating valve RG4- with diaphragm actuator MAT 3277 or MAT 271 (spring: closed or open) 120,240,350,700cm<sup>2</sup> , digital electro-pneum. or pneum. positioner ; flow charact. lineare or equal percentage. DN25-150**

Datum: 26.06.15 | 29.11.16  
 Name: Trytko C. Keil  
 Geprüft:

Blatt 1 von 20

**RN 01.170.0**



Weitergabe sowie Vervielfältigung dieser Unterlage, Verwertung und Mitteilung ihres Inhalts nicht gestattet, soweit nicht schriftlich zugestanden. Verstoß verpflichtet zum Schadensersatz und kann strafrechtliche Folgen haben (Paragraf 18 UWG, Paragraf 106 UrhG). Eigentum und alle Rechte, auch für Patenterteilung und Gebrauchsmusterteilung, vorbehalten. SPX FLOW, Germany

Ersatzteilliste: spare parts list

**Regelventil RG4-Antrieb MAT 3277 oder MAT 271 (MFS oder MFH) 120,240,350,700cm<sup>2</sup> digitaler el.-pneum. oder pneum. Stellungsregler ; lineare oder gleichprozentige Kennlinie. Modulating valve RG4- with diaphragm actuator MAT 3277 or MAT 271 (spring: closed or open) 120,240,350,700cm<sup>2</sup> , digital electro-pneum. or pneum. positioner ; flow charact. lineare or equal percentage. DN25-150**

Datum:	26.06.15	29.11.16
Name:	Trytko	C. Keil
Geprüft:		
Datum:		
Name:		
Geprüft:		



Blatt 2 von 20  
**RN 01.170.0**

pos. item	Menge quantity	Beschreibung description	Material	25	40	50	65	80	100
				WS-Nr. ref.-no.	WS-Nr. ref.-no.	WS-Nr. ref.-no.	WS-Nr. ref.-no.	WS-Nr. ref.-no.	WS-Nr. ref.-no.
1	1	Gehäuse Housing	1.4404	15-56-290/47 H158109	15-56-390/47 H158110	15-56-440/47 H166334	15-56-490/47 H158112	15-56-540/47 H158113	15-56-640/47 H158114
	1	Gehäuse Housing	1.4404	15-56-395/47 H208283	15-56-395/47 H208283	15-57-440/47 H328942	15-57-490/47 H331852	15-56-545/47 H168919	
2	1	Flansch Flange	1.4404	09-51-260/47 H158102	09-51-261/47 H158103	09-51-262/47 H158104	09-51-263/47 H158105	09-51-264/47 H158106	09-51-265/47 H158107
	1	Dichtung FGN1	EPDM FDA-konform	58-32-277/93 H77280	58-32-377/93 77292	58-32-427/93 H77303	58-32-477/93 H77314	58-32-527/93 H77325	58-32-627/93 H77339
3	1	Dichtung FGN1	FPM FDA-konform	58-32-277/73 H77279	58-32-377/73 H77291	58-32-427/73 H77302	58-32-477/73 H77313	58-32-527/73 H77324	58-32-627/73 H77338
	1	Dichtung FGN1	HNBR FDA-konform	58-32-277/33 H172130	58-32-377/33 H172131	58-32-427/33 H172132	58-32-477/33 H172133	58-32-527/33 H172134	58-32-627/33 H172135
4	1	Dichtung FGN1	VMQ FDA-konform	58-32-277/13 H77278	58-32-377/13 H77290	58-32-427/13 H77301	58-32-477/13 H77312	58-32-527/13 H77323	58-32-627/13 H77337
	4	Skt. Schraube Hex. screw	A2-70	65-01-083/15 M8x20 H78776		65-01-132/15 M10x20 H78809			
5	1	Flansch Flange	1.4404	09-51-250/47 H158095	09-51-251/47 H158096	09-51-252/47 H158097	09-51-253/47 H158098	09-51-701/47 H18844	09-51-702/47 H18846
	1	Skt. Schraube Hex. Screw	A2-70	65-01-085/15 4xM8x28 H78778		65-01-085/15 8xM8x28 H78778			
7	1	Skt. Mutter Hex. nut	A2	65-50-060/15 4x M8 H79281		65-50-060/15 8x M8 H79281			
	2	Gehäusedichtung Housing seal	EPDM FDA-konform	58-33-292/93 H77439	58-33-392/93 H77464	58-33-442/93 H77488	58-33-492/93 H77512	58-33-542/93 H77543	58-33-642/93 H77583
8	2	Gehäusedichtung Housing seal	FPM FDA-konform	58-33-292/73 H77438	58-33-392/73 H77463	58-33-442/73 H77487	58-33-492/73 H77511	58-33-542/73 H77542	58-33-642/73 H77582
	2	Gehäusedichtung Housing seal	HNBR FDA-konform	58-33-292/33 H170017	58-33-392/33 H170018	58-33-442/33 H168714	58-33-492/33 H168759	58-33-542/33 H170075	58-33-642/33 H170074
9	1	Gehäusedeckel Housing cover	1.4404	15-00-65/42 H156869	15-00-069/42 H156409	15-00-793/42 148194	15-00-794/42 H151968	15-00-797/42 H156593	15-00-798/42 H159888
	1	Gehäusedeckel Housing cover	1.4404						15-00-841/42 H319974



Weitergabe sowie Vervielfältigung dieser Unterlage, Verwertung und Mitteilung ihres Inhalts nicht gestattet, soweit nicht schriftlich zugestanden. Verstöß verpflichtet zum Schadensersatz und kann strafrechtliche Folgen haben (Paragraf 18 UWG, Paragraf 106 UrhG). Eigentum und alle Rechte, auch für Patenterteilung und Gebrauchsmustereintragung, vorbehalten. SPX FLOW, Germany

Ersatzteilliste: spare parts list

**Regelventil RG4-Antrieb MAT 3277 oder MAT 271 (MFS oder MFH) 120,240,350,700cm<sup>2</sup> digitaler el.-pneum. oder pneum. Stellungsregler ; lineare oder gleichprozentige Kennlinie. Modulating valve RG4- with diaphragm actuator MAT 3277 or MAT 271 (spring: closed or open) 120,240,350,700cm<sup>2</sup> , digital electro-pneum. or pneum. positioner ; flow charact. lineare or equal percentage. DN25-150**

Datum:	26.06.15	29.11.16
Name:	Trytko	C. Keil
Geprüft:		
Datum:		
Name:		
Geprüft:		



Blatt 3 von 20

**RN 01.170.0**

pos. item	Menge quantity	Beschreibung description	Material	25	40	50	65	80	100
			WS-Nr. ref.-no.	WS-Nr. ref.-no.	WS-Nr. ref.-no.	WS-Nr. ref.-no.	WS-Nr. ref.-no.	WS-Nr. ref.-no.	WS-Nr. ref.-no.
10	1	Schafdichtung Shaft seal	Turcon MF6						
	1	Schafdichtung Shaft seal	Turcon MF6						58-33-154/23 H200020
	1	Tellerdichtung Seat seal	EPDM FDA-konform			58-33-293/93 H77442			
11	1	Tellerdichtung Seat seal	FPM FDA-konform			58-33-293/73 H77441			
	1	Tellerdichtung Seat seal	HNBR FDA-konform			58-33-293/33 H170176			
	1	Tellerdichtung Seat seal	VMQ FDA-konform			58-33-293/13 H77440			
	1	Tellerdichtung Seat seal	EPDM FDA-konform						58-33-393/93 H77467
	1	Tellerdichtung Seat seal	FPM FDA-konform						58-33-393/73 H77466
12	1	Tellerdichtung Seat seal	HNBR FDA-konform						58-33-393/33 H166676
	1	Tellerdichtung Seat seal	VMQ FDA-konform						58-33-393/13 H77465
	1	Führungsbuchse Bushing	PTFE 25% Kohle			08-01-178/23 H207154			
13	1	Führungsbuchse Bushing	PTFE 25% Kohle						08-01-065/23 H334067
	1	Laterne Yoke	1.4308	16-40-108/17 H157564	16-40-109/17 H157565	16-40-110/17 H157567	16-40-111/17 H157568	16-40-116/17 H159379	16-40-113/17 H157572
14	1	Laterne Yoke	1.4308						16-40-133/17 H319975
	1	Skt. Schraube Hex. Screw	A2-70	65-01-056/13 M6x16 H78751			65-01-081/15 M8x16 H78772		
15	1	Skt. Schraube Hex. Screw	A2-70						65-01-130/15 4xM10x16 H78806

65-01-081/15  
4x M8x16 H78772

65-01-130/15  
4xM10x16 H78806

65-01-130/15  
8xM10x16 H78806

Weitergabe sowie Vervielfältigung dieser Unterlage, Verwertung und Mitteilung ihres Inhalts nicht gestattet, soweit nicht schriftlich zugestanden. Verstoß verpflichtet zum Schadensersatz und kann strafrechtliche Folgen haben (Paragraf 18 UWG, Paragraf 106 UrnG). Eigentum und alle Rechte, auch für Patenterteilung und Gebrauchsmustererteilung, vorbehalten. SPX FLOW, Germany

Ersatzteilliste: spare parts list

**Regelventil RG4-Antrieb MAT 3277 oder MAT 271 (MFS oder MFH) 120,240,350,700cm<sup>2</sup> digitaler el.-pneum. oder pneum. Stellungsregler ; lineare oder gleichprozentige Kennlinie. Modulating valve RG4- with diaphragm actuator MAT 3277 or MAT 271 (spring: closed or open) 120,240,350,700cm<sup>2</sup> , digital electro-pneum. or pneum. positioner ; flow charact. lineare or equal percentage. DN25-150**

Datum:	26.06.15	29.11.16
Name:	Trytko	C. Keil
Geprüft:		
Datum:		
Name:		
Geprüft:		



Blatt 4 von 20

**RN 01.170.0**

pos. item	Menge quantity	Beschreibung description	Material	25	40	50	65	80	100
			WS-Nr. ref.-no.	WS-Nr. ref.-no.	WS-Nr. ref.-no.	WS-Nr. ref.-no.	WS-Nr. ref.-no.	WS-Nr. ref.-no.	WS-Nr. ref.-no.
16	1	Winkelverschraub. G1/8 ø6mm Elbow union schwenkbar / slewable				08-60-750/93 H208825			
17	1	Reduziernippel G1/4" G1/8" Red. Nipple G1/4" G1/8" beim Antrieb 120-700 for actuator 120-700	MS58			09-14-040/93 H17018			
18	1	Befestigungsblech für Hubanzeige Mounting plate for stroke indicator	1.4301			08-29-292/13 H161763			
19	2	Flachkopfschraube Pan head screw DIN EN ISO 1580	1.4301			65-04-307/13 M5x12 H127391			
20	1	Hubanzeige Stroke indicator Hub: 15mm	1.4301			08-29-290/13 H161761			08-29-291/13 H161762
21	1	Kontermutter Mating nut Hub: 15mm M10x1	1.4301			21-50-025/15 H162483			
	1	Kontermutter Mating nut Hub: 30mm M14x1,5	1.4301						21-50-026/15 H205881
	1	Kupplungskopf klein Hose coupling small für Antr.-Fläche for actuator area 120cm <sup>2</sup>	1.4301			08-52-280/15 H162484			
22	1	Kupplungskopf groß Hose coupling great für Antr.-Fläche for actuator area 240.350.700cm <sup>2</sup>	1.4301			08-52-281/15 H162485			
	1	Kupplungsstück Coupling piece Hub: 30mm M14x1,5	1.4301						21-50-030/15 H205827
23	1	Mitnehmerplatte komplett Driving plate complete	1.4301			08-44-001/15 H162486			
24	1	Befestigungswinkel Angle bracket für kvs 16-160 for kvs 16-160	1.4301				08-44-002/15 H162487		
25	3	Winkelverschraub. Elbow union G1/8 ø6mm schwenkbar / slewable				08-60-750/93 H208825			
26	1	Skt. Schraube Hex. Screw DIN EN 24014	A2-70			65-01-107/13 M8x70 H78803			
27	1	Scheibe Wascher DIN 125 A	A2-70			67-01-022/15 l=8,4 H79594			







Weitergabe sowie Vervielfältigung dieser Unterlage, Verwertung und Mitteilung ihres Inhalts nicht gestattet, soweit nicht schriftlich zugestanden. Verstößt verpflichtet zum Schadensersatz und kann strafrechtliche Folgen haben (Paragraf 18 UWG, Paragraf 106 UrhG). Eigentum und alle Rechte, auch für Patenterteilung und Gebrauchsmustereintragung, vorbehalten. SPX FLOW, Germany

Ersatzteilliste: spare parts list

**Regelventil RG4-Antrieb MAT 3277 oder MAT 271 (MFS oder MFH) 120,240,350,700cm<sup>2</sup> digitaler el.-pneum. oder pneum. Stellungsregler ; lineare oder gleichprozentige Kennlinie. Modulating valve RG4- with diaphragm actuator MAT 3277 or MAT 271 (spring: closed or open) 120,240,350,700cm<sup>2</sup> , digital electro-pneum. or pneum. positioner ; flow charact. lineare or equal percentage. DN25-150**

Datum: 26.06.15  
Name: Trytko  
Geprüft:

Blatt 8 von 20

**RN 01.170.0**

Datum:   
Name:   
Geprüft:

Datum:   
Name:   
Geprüft:

Datum:   
Name:   
Geprüft:

Datum:   
Name:   
Geprüft:

Datum:   
Name:   
Geprüft:

Datum:   
Name:   
Geprüft:

pos. item	Menge quantity	Beschreibung description	Material	25		40			
				4,0 WS-Nr. ref.-no.	6,3 WS-Nr. ref.-no.	10 WS-Nr. ref.-no.	0,63 WS-Nr. ref.-no.	1,0 WS-Nr. ref.-no.	1,6 WS-Nr. ref.-no.
1	1	Schaft-lineare Kennlinie L *	1.4404				15-25-041/42 H160668	15-25-042/42 H160669	15-25-043/42 H159401
32	1	Schaft-lineare Kennlinie LD *	1.4404	15-25-045/42 H159477	15-25-046/42 H159478	15-25-047/42 H159479	15-25-155/42 H179617	15-25-156/42 H179618	15-25-157/42 H179620
1	1	Schaft-gleichprozentige Kennlinie G *	1.4404	15-25-590/42 H326212	15-25-139/42 H207739	15-25-138/42 H207038	15-25-021/42 H159244	15-25-022/42 H159243	15-25-023/42 H159140
1	1	Schaft-gleichprozentige Kennlinie GD *	1.4404	15-25-025/42 H159142	15-25-026/42 H159143	15-25-027/42 H159144	15-25-144/42 H312777	15-25-154/42 H208609	15-25-142/42 H311745
1	1	Tellerdichtung Seat seal	EPDM FDA-konform	58-33-294/93 H77445					
1	1	Tellerdichtung Seat seal	FPM FDA-konform	58-33-294/73 H77444					
33	1	Tellerdichtung Seat seal	HNBR FDA-konform	58-33-294/33 H172173					
1	1	Tellerdichtung Seat seal	VMQ FDA-konform	58-33-294/13 H77443					
34	1	Ventilsitz metallisch dichtend Valve seat metal sealing	1.4404	15-36-149/42 H152848			15-36-030/42 H126763		
1	1	Ventilsitz Valve seat	1.4404	15-36-028/42 H126716	15-36-054/42 H33476		15-36-051/42 H312776		
34.1	1	Ventilsitz mit Lochkäfig (geräuscharm) Valve seat with punched cage (low noise) metal sealing	1.4404						
1	1	Ventilsitz mit Lochkäfig (geräuscharm) Valve seat with punched cage (low noise)	1.4404	15-36-035/47 H146941	15-36-008/47 H146768				
*	*	L-lineare Kennlinie-metall dichtend / L-characteristics linear -metal sealing LD-lineare Kennlinie-weich dichtend / LD-characteristics linear -soft sealing							
*	*	G-gleichprozentige Kennlinie-metall dichtend / G-characteristics equal percentage-metal sealing GD-gleichprozentige Kennlinie-weich dichtend / GD-characteristics equal percentage-soft sealing							











Weitergabe sowie Vervielfältigung dieser Unterlage, Verwertung und Mitteilung ihres Inhalts nicht gestattet, soweit nicht schriftlich zugestanden. Verstöß verpflichtet zum Schadensersatz und kann strafrechtliche Folgen haben (Paragraf 18 UWG, Paragraf 106 UrhG). Eigentum und alle Rechte, auch für Patenterteilung und Gebrauchsmustererteilung, vorbehalten. SPX FLOW, Germany

Ersatzteilliste: spare parts list

**Regelventil RG4-Antrieb MAT 3277 oder MAT 271 (MFS oder MFH) 120,240,350,700cm<sup>2</sup> digitaler el.-pneum. oder pneum. Stellungsregler ; lineare oder gleichprozentige Kennlinie. Modulating valve RG4- with diaphragm actuator MAT 3277 or MAT 271 (spring: closed or open) 120,240,350,700cm<sup>2</sup> , digital electro-pneum. or pneum. positioner ; flow charact. lineare or equal percentage. DN25-150**

Datum:	26.06.15
Name:	Trytko
Geprüft:	
Datum:	
Name:	
Geprüft:	



Blatt 11 von 20

**RN 01.170.0**

pos. item	Menge quantity	Beschreibung description	Material	65			80		
				16	25	40	63	16	25
			WS-Nr. ref.-no.	WS-Nr. ref.-no.	WS-Nr. ref.-no.	WS-Nr. ref.-no.	WS-Nr. ref.-no.	WS-Nr. ref.-no.	
32	1	Schaft-lineare Kennlinie L *	1.4404	15-25-056/42 H169153	15-25-013/42 H176315	15-25-013/42 H176315	15-25-056/42 H169153	15-25-036/42 H175757	
	1	Schaft-lineare Kennlinie LD *	1.4404	15-25-048/42 H159480	15-25-050/42 H159482	15-25-050/42 H159482	15-25-048/42 H159480	15-25-049/42 H159481	
	1	Schaft-gleichprozentige Kennlinie G *	1.4404	15-25-602/42 H331585	15-25-072/42 H333827	15-25-073/42 H333843	15-25-602/42 H331585	15-25-069/42 H163545	
	1	Schaft-gleichprozentige Kennlinie GD *	1.4404	15-25-028/42 H159145	15-25-030/42 H159147	15-25-031/42 H159148	15-25-028/42 H159145	15-25-029/42 H159146	
33	1	Tellerdichtung Seat seal	EPDM FDA-konform	58-33-394/93 H77470	58-33-444/93 H77494	58-33-494/93 H77518	58-33-394/93 H77470	58-33-394/93 H77470	
	1	Tellerdichtung Seat seal	FPM FDA-konform	58-33-394/73 H77469	58-33-444/73 H77493	58-33-494/73 H77517	58-33-394/73 H77469	58-33-394/73 H77469	
	1	Tellerdichtung Seat seal	HNBR FDA-konform	58-33-394/33 H172175	58-33-444/33 H165709	58-33-494/33 H172178	58-33-394/33 H172175	58-33-394/33 H172175	
	1	Tellerdichtung Seat seal	VMQ FDA-konform	58-33-394/13 H77468	58-33-444/13 H77492	58-33-494/13 H77516	58-33-394/13 H77468	58-33-394/13 H77468	
34	1	Ventilsitz metallisch dichtend Valve seat metal sealing	1.4404						
	1	Ventilsitz Valve seat	1.4404	15-36-069/42 H326912	15-36-075/42 H326914	15-36-072/42 H33486	15-36-073/42 H105569		
34.1	1	Ventilsitz mit Lochkäfig (geräuscharm) Valve seat with punched cage (low noise)	1.4404	15-36-071/47 H326913	15-36-077/47 H326915	15-36-016/47 H148263	15-36-153/47 H167160		
*		<b>L-lineare Kennlinie-metall dichtend / L-characteristics linear -metal sealing</b>							
*		<b>LD-lineare Kennlinie-weich dichtend / LD-characteristics linear -soft sealing</b>							
		<b>G-gleichprozentige Kennlinie-metall dichtend / G-characteristics equal percentage-metal sealing</b>							
		<b>GD-gleichprozentige Kennlinie-weich dichtend / GD-characteristics equal percentage-soft sealing</b>							

Weitergabe sowie Vervielfältigung dieser Unterlage, Verwertung und Mitteilung ihres Inhalts nicht gestattet, soweit nicht schriftlich zugestanden. Verstöß verpflichtet zum Schadensersatz und kann strafrechtliche Folgen haben (Paragraf 18 UWG, Paragraf 106 UrhG). Eigentum und alle Rechte, auch für Patenterteilung und Gebrauchsmustererteilung, vorbehalten. SPX FLOW, Germany

Ersatzteilliste: spare parts list

**Regelventil RG4-Antrieb MAT 3277 oder MAT 271 (MFS oder MFH) 120,240,350,700cm<sup>2</sup> digitaler el.-pneum. oder pneum. Stellungsregler ; lineare oder gleichprozentige Kennlinie. Modulating valve RG4- with diaphragm actuator MAT 3277 or MAT 271 (spring: closed or open) 120,240,350,700cm<sup>2</sup> , digital electro-pneum. or pneum. positioner ; flow charact. lineare or equal percentage. DN25-150**

Datum: 26.06.15  
Name: Trytko  
Geprüft:



Blatt 12 von 20  
RN 01.170.0

pos. item	Menge quantity	Beschreibung description	Material	80			100			100								
				WS-Nr. ref.-no.	WS-Nr. ref.-no.	WS-Nr. ref.-no.	WS-Nr. ref.-no.	WS-Nr. ref.-no.	WS-Nr. ref.-no.	WS-Nr. ref.-no.	WS-Nr. ref.-no.							
32	1	Schaft-lineare Kennlinie L *	1.4404	15-25-013/42 H176315														
	1	Schaft-lineare Kennlinie LD *	1.4404	15-25-050/42 H159482	15-25-051/42 H159483	15-25-052/42 H159309	15-25-050/42 H159482	15-25-051/42 H159483	15-25-052/42 H159309	15-25-050/42 H159482	15-25-051/42 H159483	15-25-052/42 H159309	15-25-052/42 H159309	15-25-052/42 H159309	15-25-052/42 H159309	15-25-052/42 H159309	15-25-052/42 H159309	
	1	Schaft-gleichprozentige Kennlinie G *	1.4404	15-25-072/42 H333827	15-25-073/42 H333843													
	1	Schaft-gleichprozentige Kennlinie GD *	1.4404	15-25-030/42 H159147	15-25-031/42 H159148	15-25-032/42 H159149	15-25-030/42 H159147	15-25-031/42 H159148	15-25-032/42 H159149	15-25-030/42 H159147	15-25-031/42 H159148	15-25-032/42 H159149	15-25-032/42 H159149	15-25-032/42 H159149	15-25-032/42 H159149	15-25-032/42 H159149	15-25-032/42 H159149	15-25-032/42 H159149
33	1	Tellerdichtung Seat seal	EPDM FDA-konform	58-33-444/93 H77494	58-33-494/93 H77518	58-33-544/93 H77549	58-33-444/93 H77494	58-33-494/93 H77518	58-33-544/93 H77549	58-33-444/93 H77494	58-33-494/93 H77518	58-33-544/93 H77549	58-33-544/93 H77549	58-33-544/93 H77549	58-33-544/93 H77549	58-33-544/93 H77549	58-33-544/93 H77549	
	1	Tellerdichtung Seat seal	FPM FDA-konform	58-33-444/73 H77493	58-33-494/73 H77517	58-33-544/73 H77548	58-33-444/73 H77493	58-33-494/73 H77517	58-33-544/73 H77548	58-33-444/73 H77493	58-33-494/73 H77517	58-33-544/73 H77548	58-33-544/73 H77548	58-33-544/73 H77548	58-33-544/73 H77548	58-33-544/73 H77548	58-33-544/73 H77548	
	1	Tellerdichtung Seat seal	HNBR FDA-konform	58-33-444/33 H165709	58-33-494/33 H172178	58-33-544/33 H172180	58-33-444/33 H165709	58-33-494/33 H172178	58-33-544/33 H172180	58-33-444/33 H165709	58-33-494/33 H172178	58-33-544/33 H172180	58-33-544/33 H172180	58-33-544/33 H172180	58-33-544/33 H172180	58-33-544/33 H172180	58-33-544/33 H172180	
	1	Tellerdichtung Seat seal	VMQ FDA-konform	58-33-444/13 H77492	58-33-494/13 H77516	58-33-544/13 H77547	58-33-444/13 H77492	58-33-494/13 H77516	58-33-544/13 H77547	58-33-444/13 H77492	58-33-494/13 H77516	58-33-544/13 H77547	58-33-544/13 H77547	58-33-544/13 H77547	58-33-544/13 H77547	58-33-544/13 H77547	58-33-544/13 H77547	58-33-544/13 H77547
34	1	Ventilsitz metallisch dichtend Valve seat metal sealing	1.4404															
	1	Ventilsitz Valve seat	1.4404	15-36-074/42 H33487	15-36-076/42 H33488	15-36-078/42 H33489	15-36-108/42 H172576	15-36-079/42 H33490	15-36-078/42 H33489	15-36-108/42 H172576	15-36-079/42 H33490	15-36-078/42 H33489	15-36-078/42 H33489	15-36-078/42 H33489	15-36-078/42 H33489	15-36-078/42 H33489	15-36-078/42 H33489	
34.1	1	Ventilsitz mit Lochkäfig (geräuscharm) Valve seat with punched cage (low noise)	1.4404	15-36-037/47 H141525	15-36-537/47 H141523	15-36-017/47 H148265	15-36-093/47 H330662	15-36-537/47 H141523	15-36-017/47 H148265	15-36-093/47 H330662	15-36-020/47 H149005	15-36-020/47 H149005	15-36-020/47 H149005	15-36-020/47 H149005	15-36-020/47 H149005	15-36-020/47 H149005	15-36-020/47 H149005	
<p><b>L-lineare Kennlinie-metall dichtend / L-characteristics linear -metal sealing</b>  <b>LD-lineare Kennlinie-weich dichtend / LD-characteristics linear -soft sealing</b>  <b>G-gleichprozentige Kennlinie-metall dichtend / G-characteristics equal percentage-metal sealing</b>  <b>GD-gleichprozentige Kennlinie-weich dichtend / GD-characteristics equal percentage-soft sealing</b></p>																		

Weitergabe sowie Vervielfältigung dieser Unterlage, Verwertung und Mitteilung ihres Inhalts nicht gestattet, soweit nicht schriftlich zugestanden. Verstöß verpflichtet zum Schadensersatz und kann strafrechtliche Folgen haben (Paragraf 18 UWG, Paragraf 106 UrhG). Eigentum und alle Rechte, auch für Patenterteilung und Gebrauchsmustererteilung, vorbehalten. SPX FLOW, Germany

Ersatzteilliste: spare parts list

**Regelventil RG4-Antrieb MAT 3277 oder MAT 271 (MFS oder MFH) 120,240,350,700cm<sup>2</sup> digitaler el.-pneum. oder pneum. Stellungsregler ; lineare oder gleichprozentige Kennlinie. Modulating valve RG4- with diaphragm actuator MAT 3277 or MAT 271 (spring: closed or open) 120,240,350,700cm<sup>2</sup> , digital electro-pneum. or pneum. positioner ; flow charact. lineare or equal percentage. DN25-150**

Datum: 26.06.15  
Name: Trytko  
Geprüft:

Blatt 13 von 20  
**RN 01.170.0**



pos. item	Menge quantity	Beschreibung description	Material	100		WS-Nr. ref.-no.	WS-Nr. ref.-no.	WS-Nr. ref.-no.	WS-Nr. ref.-no.
				160 Hub:15mm	160 Hub:30mm				
32	1	Schaft-lineare Kennlinie L *	1.4404						
		Shaft flow characteristics -linear L *							
	1	Schaft-lineare Kennlinie LD *	1.4404	15-25-055/42 H167867	15-25-053/42 H159484				
		Shaft flow characteristics -linear LD *							
33	1	Schaft-gleichprozentige Kennlinie G *	1.4404	15-25-037/42 H175802					
		Shaft flow character. -equal percentage G *							
	1	Schaft-gleichprozentige Kennlinie GD *	1.4404	15-25-035/42 H175422	15-25-033/42 H159151				
		Shaft flow character. -equal percentage GD *							
34	1	Tellerdichtung Seat seal	EPDM FDA-konform	58-33-644/93 H77589					
		Tellerdichtung Seat seal							
	1	Tellerdichtung Seat seal	FPM FDA-konform	58-33-644/73 H77588					
		Tellerdichtung Seat seal							
34.1	1	Tellerdichtung Seat seal	HNBR FDA-konform	58-33-644/33 H172183					
		Tellerdichtung Seat seal							
	1	Tellerdichtung Seat seal	VMQ FDA-konform	58-33-644/13 H77587					
		Tellerdichtung Seat seal							
34.1	1	Ventilsitz metallisch dichtend Valve seat metal sealing	1.4404						
		Ventilsitz Valve seat							
	1	Ventilsitz Valve seat	1.4404	15-36-043/42 H125798					
		Ventilsitz mit Lochkäfig (geräuscharm) metallisch dichtend Valve seat with punched cage (low noise) metal sealing							
34.1	1	Ventilsitz mit Lochkäfig (geräuscharm) Valve seat with punched cage (low noise)	1.4404	15-36-033/47 H152311					
		Ventilsitz mit Lochkäfig (geräuscharm) Valve seat with punched cage (low noise)							
*		L-lineare Kennlinie-metall dichtend / L-characteristics linear -metal sealing							
*		LD-lineare Kennlinie-weich dichtend / LD-characteristics linear -soft sealing							
		G-gleichprozentige Kennlinie-metall dichtend / G-characteristics equal percentage-metal sealing							
		GD-gleichprozentige Kennlinie-weich dichtend / GD-characteristics equal percentage-soft sealing							



Weitergabe sowie Vervielfältigung dieser Unterlage, Verwertung und Mittelteilung ihres Inhalts nicht gestattet, soweit nicht schriftlich zugestanden. Verstöß verpflichtet zum Schadensersatz und kann strafrechtliche Folgen haben (Paragraf 18 UWG, Paragraf 106 UrhG). Eigentum und alle Rechte, auch für Patenterteilung und Gebrauchsmustereintragung, vorbehalten. SPX FLOW, Germany

Ersatzteilliste: spare parts list

**Regelventil RG4-Antrieb MAT 3277 oder MAT 271 (MFS oder MFH) 120,240,350,700cm<sup>2</sup> digitaler el.-pneum. oder pneum. Stellungsregler ; lineare oder gleichprozentige Kennlinie. Modulating valve RG4- with diaphragm actuator MAT 3277 or MAT 271 (spring: closed or open) 120,240,350,700cm<sup>2</sup> , digital electro-pneum. or pneum. positioner ; flow charact. lineare or equal percentage. DN25-150**

Datum:	26.06.15
Name:	Trytko
Geprüft:	
Datum:	
Name:	
Geprüft:	

Blatt	15 von 20
<b>RN 01.170.0</b>	

pos. item	Menge quantity	Beschreibung description	Material	DN125	5"	6"	WS-Nr. ref.-no.	WS-Nr. ref.-no.	WS-Nr. ref.-no.
10	1	Schaftdichtung Shaft seal	Turcon MF6	3A0 58-33-151/24 H323082					
	1	Schaftdichtung Shaft seal	Turcon MF6	58-33-154/23 H200020			58-33-154/23 H200020		
	1	Tellerdichtung Seat seal	EPDM FDA-konform	58-33-293/93 H77442					
11	1	Tellerdichtung Seat seal	FPM FDA-konform	58-33-293/73 H77441					
	1	Tellerdichtung Seat seal	HNBR FDA-konform	58-33-293/33 H170176					
	1	Tellerdichtung Seat seal	VMQ FDA-konform	58-33-293/13 H77440					
	1	Tellerdichtung Seat seal	EPDM FDA-konform	58-33-393/93 H77467			58-33-393/93 H77467		
	1	Tellerdichtung Seat seal	FPM FDA-konform	58-33-393/73 H77466			58-33-393/73 H77466		
	1	Tellerdichtung Seat seal	HNBR FDA-konform	58-33-393/33 H166676			58-33-393/33 H166676		
	1	Tellerdichtung Seat seal	VMQ FDA-konform	58-33-393/13 H77465			58-33-393/13 H77465		
	1	Führungsbuchse Bushing	PTFE 25% Kohle	08-01-178/23 H207154					
12	3	Führungsbuchse Bushing	PTFE 25% Kohle	08-01-065/23 H334067			08-01-065/23 H334067		
	1	Laterne Yoke	1.4308	16-40-114/17 H157574					
13	1	Laterne Yoke	1.4308	16-40-001/17 H202128			16-40-118/17 H205823		
	1	Skt. Schraube Hex. Screw	A2-70	65-01-083/15 M8x20 H78776			65-01-083/15 2xM8x20 H78776		
14	8	Skt. Schraube Hex. Screw	A2-70	65-01-131/15 M10x18 H78807			65-01-131/15 M10x18 H78807		

Weitergabe sowie Vervielfältigung dieser Unterlage, Verwertung und Mitteilung ihres Inhalts nicht gestattet, soweit nicht schriftlich zugestanden. Verstößt verpflichtet zum Schadensersatz und kann strafrechtliche Folgen haben (Paragraf 18 UWG, Paragraf 106 UrhG). Eigentum und alle Rechte, auch für Patenterteilung und Gebrauchsmustereintragung, vorbehalten. SPX FLOW, Germany

Ersatzteilliste: spare parts list

**Regelventil RG4-Antrieb MAT 3277 oder MAT 271 (MFS oder MFH) 120,240,350,700cm<sup>2</sup> digitaler el.-pneum. oder pneum. Stellungsregler ; lineare oder gleichprozentige Kennlinie. Modulating valve RG4- with diaphragm actuator MAT 3277 or MAT 271 (spring: closed or open) 120,240,350,700cm<sup>2</sup> , digital electro-pneum. or pneum. positioner ; flow charact. lineare or equal percentage. DN25-150**

Datum:	26.06.15
Name:	Trytko
Geprüft:	
Datum:	
Name:	
Geprüft:	

	
SPX FLOW Germany	
Blatt	16 von 20
<b>RN 01.170.0</b>	

pos. item	Menge quantity	Beschreibung description	Material	5"		6"	
				DN125 WS-Nr. ref.-no.	WS-Nr. ref.-no.	DN150 WS-Nr. ref.-no.	WS-Nr. ref.-no.
16	1	Winkelverschraub. G1/8 ø6mm Elbow union schwenkbar / slewable	08-60-750/93 H208825	08-60-750/93 H208825			
17	1	Reduziernippel G1/4" G1/8" Red. Nipple G1/4" G1/8" beim Antrieb 120-700 for actuator 120-700	09-14-040/93 H17018	09-14-040/93 H17018			
18	1	Befestigungsblech für Hubanzeige Mounting plate for stroke indicator	1.4301 H161763	08-29-292/13 H161763			
19	2	Flachkopfschraube Pan head screw DIN EN ISO 1580	1.4301 M5x12 H127391	65-04-307/13 M5x12 H127391			
20	1	Hubanzeige Stroke indicator Hub: 15mm	1.4301 H161761	08-29-290/13 H161761			
	1	Hubanzeige Stroke indicator Hub: 30mm	1.4301 H161762	08-29-291/13 H161762			
21	1	Kontermutter Mating nut Hub: 15mm M10x1	1.4301 H162483	21-50-025/15 H162483			
	1	Kontermutter Mating nut Hub: 30mm M14x1,5 für Antr.-Fläche for actuator area	1.4301 H205881	21-50-026/15 H205881			
22	1	Kupplungskopf klein Hose coupling small für Antr.-Fläche for actuator area	1.4301 H162485	08-52-281/15 H162485			
	1	Kupplungskopf groß Hose coupling great 240.350.700cm <sup>2</sup> Hub: 30mm M14x1,5	1.4301 H205827	21-50-030/15 H205827			
23	1	Mitnehmerplatte komplett Driving plate complete	1.4301 H162486	08-44-001/15 H162486			
24	1	Befestigungswinkel Angle bracket für kvs 16-160 for kvs 16-160	1.4301 H162487	08-44-002/15 H162487			
25	3	Winkelverschraub. Elbow union schwenkbar / slewable G1/8 ø6mm	08-60-750/93 H208825	08-60-750/93 H208825			
26	1	Skt. Schraube Hex. Screw DIN EN 24014	65-01-107/13 M8x70 H78803	65-01-107/13 M8x70 H78803			
27	2	Scheibe Wascher DIN 125 A	67-01-022/15 I=8,4 H79594	67-01-022/15 I=8,4 H79594			



Weitergabe sowie Vervielfältigung dieser Unterlage, Verwertung und Mitteilung ihres Inhalts nicht gestattet, soweit nicht schriftlich zugestanden. Verstöß verpflichtet zum Schadensersatz und kann strafrechtliche Folgen haben (Paragraf 18 UWG, Paragraf 106 UrhG). Eigentum und alle Rechte, auch für Patenterteilung und Gebrauchsmustereintragung, vorbehalten. SPX FLOW, Germany

Ersatzteilliste: spare parts list

**Regelventil RG4-Antrieb MAT 3277 oder MAT 271 (MFS oder MFH) 120,240,350,700cm<sup>2</sup> digitaler el.-pneum. oder pneum. Stellungsregler ; lineare oder gleichprozentige Kennlinie. Modulating valve RG4- with diaphragm actuator MAT 3277 or MAT 271 (spring: closed or open) 120,240,350,700cm<sup>2</sup> , digital electro-pneum. or pneum. positioner ; flow charact. lineare or equal percentage. DN25-150**

Datum:	26.06.15
Name:	Trytko
Geprüft:	
Datum:	
Name:	
Geprüft:	



Blatt 17 von 20

**RN 01.170.0**

pos. item	Menge quantity	Beschreibung description	Material	DN125	5"	6"	WS-Nr. ref.-no.	WS-Nr. ref.-no.	WS-Nr. ref.-no.
28	1	Schlauch Hose 6x1x500		08-75-055/53 H16541			08-75-055/53 H16541		
29	1	El.-pn.Regler IP763 ohne Zubehör -Hebel I Feder I (Hub 15)	Aluminium Druckguss	29-03-013/93 H66919			29-03-013/93 H66919		
	1	Pn.-Regler P765 without acces. -lever I spring I (stroke 15)	aluminium die casted	29-03-004/93 H66913			29-03-004/93 H66913		
	1	El.-pn.Regler IP763 ohne Zubehör -Hebel I Feder II (Hub 30)	Aluminium Druckguss	29-03-014/93 H66920			29-03-014/93 H66920		
	1	Pn.-Regler P765 without acces. -lever I spring II (stroke 30)	aluminium die casted	29-03-005/93 H66914			29-03-005/93 H66914		
30	3	Reduziernippel G1/4" G1/8" beim Antrieb 120, 240 for actuator 120, 240	MS58	09-14-040/93 H17018			09-14-040/93 H17018		
	2	Reduziernippel G1/4" G1/8" beim Antrieb 350, 700 for actuator 350, 700	MS58	09-14-040/93 H17018			09-14-040/93 H17018		
	1	Reduziernippel G3/8" G1/8" beim Antrieb 350, 700 for actuator 350, 700	MS58	09-14-041/93 H17019			09-14-041/93 H17019		
31	1	Pneumatischer Stellantrieb MAT 3277+IP3730, IP3725, IP3766, IP3767 (Pos. 35) siehe RN 01.170.13-1 ; RN 01.170.13-2							
	1	Pneumatischer Stellantrieb MAT 271+IP763, P765 (Pos. 36) siehe RN 01.170.13-3							





Weitergabe sowie Vervielfältigung dieser Unterlage, Verwertung und Mitteilung ihres Inhalts nicht gestattet, soweit nicht schriftlich zugestanden. Verstoß verpflichtet zum Schadensersatz und kann strafrechtliche Folgen haben (Paragraf 18 UWG, Paragraf 106 UrhG). Eigentum und alle Rechte, auch für Patenterteilung und Gebrauchsmustererteilung, vorbehalten. SPX FLOW, Germany

Ersatzteilliste: spare parts list

**Regelventil RG4-Antrieb MAT 3277 oder MAT 271 (MFS oder MFH) 120,240,350,700cm<sup>2</sup> digitaler el.-pneum. oder pneum. Stellungsregler ; lineare oder gleichprozentige Kennlinie. Modulating valve RG4- with diaphragm actuator MAT 3277 or MAT 271 (spring: closed or open) 120,240,350,700cm<sup>2</sup> , digital electro-pneum. or pneum. positioner ; flow charact. lineare or equal percentage. DN25-150**

Datum:	26.06.15
Name:	Trytko
Geprüft:	
Datum:	
Name:	
Geprüft:	



Blatt 19 von 20  
**RN 01.170.0**

pos. item	Menge quantity	Beschreibung description	Material	125			WS-Nr. ref.-no.	WS-Nr. ref.-no.	WS-Nr. ref.-no.
				63	100	160 Hub:15mm			
32	1	Schaft-lineare Kennlinie L *	1.4404						
	1	Shaft flow characteristics -linear L *							
	1	Schaft-lineare Kennlinie LD *	1.4404	15-25-052/42	15-25-055/42	15-25-053/42	15-25-128/42		
	1	Shaft flow characteristics -linear LD *		H159483	H159309	H159484	H202134		
33	1	Schaft-gleichprozentige Kennlinie G *	1.4404						
	1	Shaft flow character. -equal percentage G *							
	1	Schaft-gleichprozentige Kennlinie GD *	1.4404	15-25-031/42	15-25-032/42	15-25-033/42	15-25-129/42		
	1	Shaft flow character. -equal percentage GD *		H159148	H159149	H159151	H205833		
34	1	Tellerdichtung	EPDM	58-33-494/93	58-33-544/93	58-33-644/93	58-33-695/93		
	1	Seat seal	FDA-konform	H77518	H77549	H77589	H77614		
	1	Tellerdichtung	FPM	58-33-494/73	58-33-544/73	58-33-644/73	58-33-695/73		
	1	Seat seal	FDA-konform	H77517	H77548	H77588	H77613		
34.1	1	Tellerdichtung	HNBR	58-33-494/33	58-33-544/33	58-33-644/33	58-33-695/33		
	1	Seat seal	FDA-konform	H172178	H172180	H172183	H172189		
	1	Tellerdichtung	VMQ	58-33-494/13	58-33-544/13	58-33-644/13	58-33-695/13		
	1	Seat seal	FDA-konform	H77516	H77547	H77587	H77612		
34.1	1	Ventilsitz metallisch dichtend	1.4404						
	1	Valve seat metal sealing							
	1	Ventilsitz	1.4404	15-36-109/42	15-36-110/42	15-36-111/42	15-36-031/42		
	1	Valve seat		H160629	H159973	H159974	H202130		
34.1	1	Ventilsitz mit Lochkäfig (geräuscharm)	1.4404						
	1	Valve seat with punched cage (low noise)							
	*	L-lineare Kennlinie-metall dichtend / L-characteristics linear -metal sealing							
	*	LD-lineare Kennlinie-weich dichtend / LD-characteristics linear -soft sealing							
		G-gleichprozentige Kennlinie-metall dichtend / G-characteristics equal percentage-metal sealing							
		GD-gleichprozentige Kennlinie-weich dichtend / GD-characteristics equal percentage-soft sealing							

Weitergabe sowie Vervielfältigung dieser Unterlage, Verwertung und Mitteilung ihres Inhalts nicht gestattet, soweit nicht schriftlich zugestanden. Verstöß verpflichtet zum Schadensersatz und kann strafrechtliche Folgen haben (Paragraf 18 UWG, Paragraf 106 UrhG). Eigentum und alle Rechte, auch für Patenterteilung und Gebrauchsmustererteilung, vorbehalten. SPX FLOW, Germany

Ersatzteilliste: spare parts list

**Regelventil RG4-Antrieb MAT 3277 oder MAT 271 (MFS oder MFH) 120,240,350,700cm<sup>2</sup> digitaler el.-pneum. oder pneum. Stellungsregler ; lineare oder gleichprozentige Kennlinie. Modulating valve RG4- with diaphragm actuator MAT 3277 or MAT 271 (spring: closed or open) 120,240,350,700cm<sup>2</sup> , digital electro-pneum. or pneum. positioner ; flow charact. lineare or equal percentage. DN25-150**

Datum:	26.06.15
Name:	Trytko
Geprüft:	
Datum:	
Name:	
Geprüft:	

<b>APV</b> SPX FLOW Germany	
Blatt	20 von 20
<b>RN 01.170.0</b>	

pos. item	Menge quantity	Beschreibung description	Material	150			WS-Nr. ref.-no.	WS-Nr. ref.-no.	WS-Nr. ref.-no.	WS-Nr. ref.-no.
				160	250	400				
32	1	Schaft-lineare Kennlinie L *	1.4404							
		Shaft flow characteristics -linear L *								
	1	Schaft-lineare Kennlinie LD *	1.4404	15-25-128/42 H202134						
		Shaft flow characteristics -linear LD *								
33	1	Schaft-gleichprozentige Kennlinie G *	1.4404							
		Shaft flow character. -equal percentage G *								
	1	Schaft-gleichprozentige Kennlinie GD *	1.4404	15-25-033/42 H159151	15-25-129/42 H205833					
		Shaft flow character. -equal percentage GD *								
34	1	Tellerdichtung Seat seal	EPDM FDA-konform	58-33-644/93 H77589	58-33-695/93 H77614					
		Tellerdichtung Seat seal	FPM FDA-konform	58-33-644/73 H77588	58-33-695/73 H77613					
	1	Tellerdichtung Seat seal	HNBR FDA-konform	58-33-644/33 H172183	58-33-695/33 H172189					
		Tellerdichtung Seat seal	VMQ FDA-konform	58-33-644/13 H77587	58-33-695/13 H77612					
34.1	1	Ventilsitz metallisch dichtend Valve seat metal sealing	1.4404							
		Ventilsitz Valve seat	1.4404	15-36-059/42 H320358	15-36-044/42 H205812					
	1	Ventilsitz mit Lochkäfig (geräuscharm) metallisch dichtend Valve seat with punched cage (low noise) metal sealing	1.4404							
		Ventilsitz mit Lochkäfig (geräuscharm) Valve seat with punched cage (low noise)	1.4404							
	*	<b>L-lineare Kennlinie-metall dichtend / L-characteristics linear -metal sealing</b>								
	*	<b>LD-lineare Kennlinie-weich dichtend / LD-characteristics linear -soft sealing</b>								
	*	<b>G-gleichprozentige Kennlinie-metall dichtend / G-characteristics equal percentage-metal sealing</b>								
	*	<b>GD-gleichprozentige Kennlinie-weich dichtend / GD-characteristics equal percentage-soft sealing</b>								

Weitergabe sowie Vervielfältigung dieser Unterlage, Verwertung und Mitteilung ihres Inhalts nicht gestattet, soweit nicht schriftlich zugestanden. Verstößt verpflichtend zum Schadensersatz und kann strafrechtliche Folgen haben (Paragraf 18 UWG, Paragraf 106 UrtG). Eigentum und alle Rechte, auch für Patenterteilung und Gebrauchsmustererteilung, vorbehalten. SPX FLOW, Germany

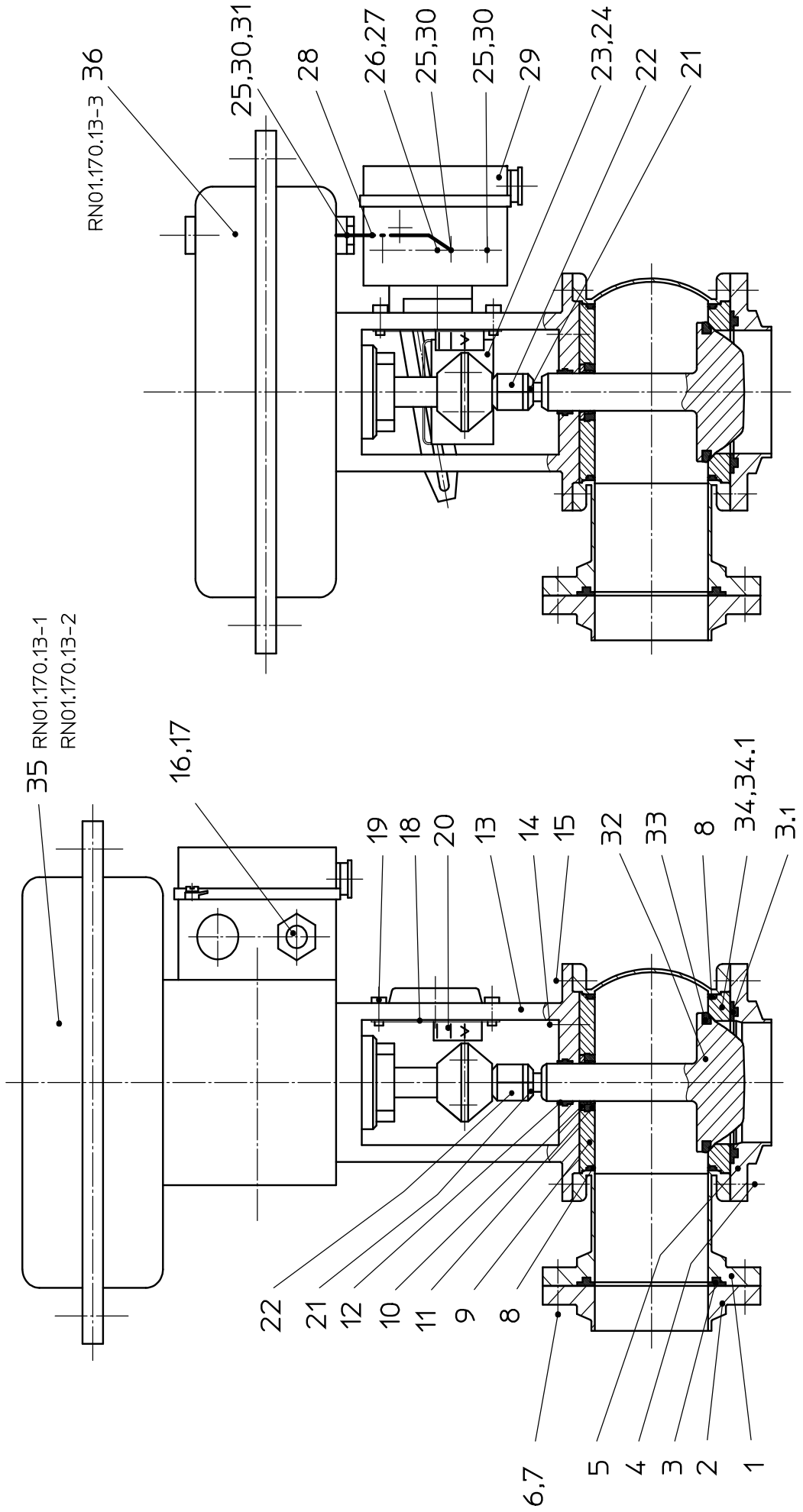
**Ersatzteilliste: spare parts list**

**Regelventil RG4-Antrieb MAT 3277 oder MAT 271 (MFS oder MFH) 120,240,350,700cm<sup>2</sup> digitaler el.-pneum. oder pneum. Stellungsregler ; lineare oder gleichprozentige Kennlinie. Modulating valve RG4- with diaphragm actuator MAT 3277 or MAT 271 (spring: closed or open) 120,240,350,700cm<sup>2</sup> , digital electro-pneum. or pneum. positioner ; flow charact. lineare or equal percentage. 1-4 Zoll / inch**

Datum: 22.06.15  
Name: Trytko  
Geprüft:

Blatt 1 von 12

**RN 01.170.1**













Weitergabe sowie Vervielfältigung dieser Unterlage, Verwertung und Mitteilung ihres Inhalts nicht gestattet, soweit nicht schriftlich zugestanden. Verstoß verpflichtet zum Schadensersatz und kann strafrechtliche Folgen haben (Paragraf 18 UWG, Paragraf 106 UrnG). Eigentum und alle Rechte, auch für Patenterteilung und Gebrauchsmustererteilung, vorbehalten. SPX FLOW, Germany

Ersatzteilliste: spare parts list

**Regelventil RG4-Antrieb MAT 3277 oder MAT 271 (MFS oder MFH) 120,240,350,700cm<sup>2</sup> digitaler el.-pneum. oder pneum. Stellungsregler ; lineare oder gleichprozentige Kennlinie. Modulating valve RG4- with diaphragm actuator MAT 3277 or MAT 271 (spring: closed or open) 120,240,350,700cm<sup>2</sup> , digital electro-pneum. or pneum. positioner ; flow charact. lineare or equal percentage. 1-4 Zoll / inch**

Datum:	22.06.15
Name:	Trytko
Geprüft:	
Datum:	
Name:	
Geprüft:	



Blatt	6	von	12
<b>RN 01.170.1</b>			

pos. item	Menge quantity	Beschreibung description	Material	1"				WS-Nr. ref.-no.	WS-Nr. ref.-no.	WS-Nr. ref.-no.
				0,25	0,4	0,63	1,0			
32	1	Schaft-lineare Kennlinie L *	1.4404	15-25-039/42 H160658	15-25-040/42 H160666	15-25-041/42 H160668	15-25-042/42 H160669	15-25-043/42 H159401		
	1	Schaft-lineare Kennlinie LD *	1.4404		15-25-207/42 H331801	H179617	15-25-156/42 H179618	15-25-157/42 H179620	15-25-044/42 H159476	
	1	Schaft-gleichprozentige Kennlinie G *	1.4404	15-25-019/42 H160657	15-25-020/42 H159245	15-25-021/42 H159244	15-25-022/42 H159243	15-25-023/42 H159140		
	1	Schaft-gleichprozentige Kennlinie GD *	1.4404	15-25-149/42 H320892		15-25-144/42 H312777	15-25-154/42 H208609	15-25-142/42 H311745	15-25-024/42 H159141	
33	1	Tellerdichtung Seat seal	EPDM FDA-konform	58-33-294/93 H77445						
	1	Tellerdichtung Seat seal	FPM FDA-konform	58-33-294/73 H77444						
	1	Tellerdichtung Seat seal	HNBR FDA-konform	58-33-294/33 H172173						
	1	Tellerdichtung Seat seal	VMQ FDA-konform	58-33-294/13 H77443						
34	1	Ventilsitz metallisch dichtend Valve seat metal sealing	1.4404	15-36-150/42 H160650		15-36-027/42 H126717				
	1	Ventilsitz Valve seat	1.4404	15-36-057/42 H317103		15-36-155/42 H179615			15-36-028/42 H126716	
34.1	1	Ventilsitz mit Lochkäfig (geräuscharm) Valve seat with punched cage (low noise) metal sealing	1.4404							
	1	Ventilsitz mit Lochkäfig (geräuscharm) Valve seat with punched cage (low noise)	1.4404						15-36-116/47 H179830	15-36-035/47 H146941
*		L-lineare Kennlinie-metall dichtend / L-characteristics linear -metal sealing								
*		LD-lineare Kennlinie-weich dichtend / LD-characteristics linear -soft sealing								
		G-gleichprozentige Kennlinie-metall dichtend / G-characteristics equal percentage-metal sealing								
		GD-gleichprozentige Kennlinie-weich dichtend / GD-characteristics equal percentage-soft sealing								



Weitergabe sowie Vervielfältigung dieser Unterlage, Verwertung und Mitteilung ihres Inhalts nicht gestattet, soweit nicht schriftlich zugestanden. Verstößt verpflichtet zum Schadensersatz und kann strafrechtliche Folgen haben (Paragraf 18 UWG, Paragraf 106 UrhG). Eigentum und alle Rechte, auch für Patenterteilung und Gebrauchsmustererteilung, vorbehalten. SPX FLOW, Germany

Ersatzteilliste: spare parts list

**Regelventil RG4-Antrieb MAT 3277 oder MAT 271 (MFS oder MFH) 120,240,350,700cm<sup>2</sup> digitaler el.-pneum. oder pneum. Stellungsregler ; lineare oder gleichprozentige Kennlinie. Modulating valve RG4- with diaphragm actuator MAT 3277 or MAT 271 (spring: closed or open) 120,240,350,700cm<sup>2</sup> , digital electro-pneum. or pneum. positioner ; flow charact. lineare or equal percentage. 1-4 Zoll / inch**

Datum: 22.06.15  
Name: Trytko  
Geprüft:



Blatt 7 von 12  
**RN 01.170.1**

pos. item	Menge quantity	Beschreibung description	Material	1"			1,5"			
				4,0 WS-Nr. ref.-no.	6,3 WS-Nr. ref.-no.	10 WS-Nr. ref.-no.	0,63 WS-Nr. ref.-no.	1,0 WS-Nr. ref.-no.	1,6 WS-Nr. ref.-no.	
1	1	Schaft-lineare Kennlinie L *	1.4404				15-25-041/42 H160668	15-25-042/42 H160669	15-25-043/42 H159401	
32	1	Schaft-lineare Kennlinie LD *	1.4404	15-25-045/42 H159477	15-25-046/42 H159478	15-25-047/42 H159479	15-25-155/42 H179617	15-25-156/42 H179618	15-25-157/42 H179620	
1	1	Schaft-gleichprozentige Kennlinie G *	1.4404	15-25-590/42 H326212	15-25-139/42 H207739	15-25-138/42 H207038	15-25-021/42 H159244	15-25-022/42 H159243	15-25-023/42 H159140	
1	1	Schaft-gleichprozentige Kennlinie GD *	1.4404	15-25-025/42 H159142	15-25-026/42 H159143	15-25-027/42 H159144	15-25-144/42 H312777	15-25-154/42 H208609	15-25-142/42 H311745	
1	1	Tellerdichtung Seat seal	EPDM FDA-konform	58-33-294/93 H77445						
1	1	Tellerdichtung Seat seal	FPM FDA-konform	58-33-294/73 H77444						
33	1	Tellerdichtung Seat seal	HNBR FDA-konform	58-33-294/33 H172173						
1	1	Tellerdichtung Seat seal	VMQ FDA-konform	58-33-294/13 H77443						
34	1	Ventilsitz metallisch dichtend Valve seat metal sealing	1.4404	15-36-149/42 H152848			15-36-030/42 H126763			
1	1	Ventilsitz Valve seat	1.4404	15-36-028/42 H126716	15-36-054/42 H33476		15-36-051/42 H312776			
34.1	1	Ventilsitz mit Lochkäfig (geräuscharm) Valve seat with punched cage (low noise) metal sealing	1.4404							
1	1	Ventilsitz mit Lochkäfig (geräuscharm) Valve seat with punched cage (low noise)	1.4404	15-36-035/47 H146941	15-36-008/47 H146768					
*	*	L-lineare Kennlinie-metall dichtend / L-characteristics linear -metal sealing LD-lineare Kennlinie-weich dichtend / LD-characteristics linear -soft sealing								
*	*	G-gleichprozentige Kennlinie-metall dichtend / G-characteristics equal percentage-metal sealing GD-gleichprozentige Kennlinie-weich dichtend / GD-characteristics equal percentage-soft sealing								



Weitergabe sowie Vervielfältigung dieser Unterlage, Verwertung und Mitteilung ihres Inhalts nicht gestattet, soweit nicht schriftlich zugestanden. Verstöß verpflichtet zum Schadensersatz und kann strafrechtliche Folgen haben (Paragraf 18 UWG, Paragraf 106 UrhG). Eigentum und alle Rechte, auch für Patenterteilung und Gebrauchsmustererteilung, vorbehalten. SPX FLOW, Germany

Ersatzteilliste: spare parts list

**Regelventil RG4-Antrieb MAT 3277 oder MAT 271 (MFS oder MFH) 120,240,350,700cm<sup>2</sup> digitaler el.-pneum. oder pneum. Stellungsregler ; lineare oder gleichprozentige Kennlinie. Modulating valve RG4- with diaphragm actuator MAT 3277 or MAT 271 (spring: closed or open) 120,240,350,700cm<sup>2</sup> , digital electro-pneum. or pneum. positioner ; flow charact. lineare or equal percentage. 1-4 Zoll / inch**

Datum:	22.06.15
Name:	Trytko
Geprüft:	
Datum:	
Name:	
Geprüft:	



Blatt 9 von 12  
**RN 01.170.1**

pos. item	Menge quantity	Beschreibung description	Material	2"					
				4,0	6,3	10	16	25	40
			WS-Nr. ref.-no.	WS-Nr. ref.-no.	WS-Nr. ref.-no.	WS-Nr. ref.-no.	WS-Nr. ref.-no.	WS-Nr. ref.-no.	WS-Nr. ref.-no.
32	1	Schaft-lineare Kennlinie L *	1.4404				15-25-056/42 H169153	15-25-036/42 H175757	15-25-013/42 H176315
	1	Schaft-lineare Kennlinie LD *	1.4404	15-25-046/42 H159478	15-25-047/42 H159479	15-25-048/42 H159480	15-25-049/42 H159481	15-25-050/42 H159482	
	1	Schaft-gleichprozentige Kennlinie G *	1.4404	15-25-590/42 H326212	15-25-139/42 H207739	15-25-138/42 H207038	15-25-069/42 H331585	15-25-072/42 H333827	
	1	Schaft-gleichprozentige Kennlinie GD *	1.4404	15-25-025/42 H159142	15-25-026/42 H159143	15-25-027/42 H159144	15-25-029/42 H159146	15-25-030/42 H159147	
33	1	Tellerdichtung Seat seal	EPDM FDA-konform	58-33-294/93 H77445	58-33-294/93 H77445	58-33-394/93 H77470	58-33-394/93 H77469	58-33-444/93 H77494	
	1	Tellerdichtung Seat seal	FPM FDA-konform	58-33-294/73 H77444	58-33-294/73 H77444	58-33-394/73 H77469	58-33-394/73 H77493	58-33-444/73 H77493	
	1	Tellerdichtung Seat seal	HNBR FDA-konform	58-33-294/33 H172173	58-33-294/33 H172173	58-33-394/33 H172175	58-33-394/33 H172175	58-33-444/33 H165709	
	1	Tellerdichtung Seat seal	VMQ FDA-konform	58-33-294/13 H77443	58-33-294/13 H77443	58-33-394/13 H77468	58-33-394/13 H77468	58-33-444/13 H77492	
34	1	Ventilsitz metallisch dichtend Valve seat metal sealing	1.4404						
	1	Ventilsitz Valve seat	1.4404	15-36-041/42 H202927	15-36-062/42 H33481	15-36-064/42 H33482	15-36-064/42 H33482	15-36-066/42 H33483	
34.1	1	Ventilsitz mit Lochkäfig (geräuscharm) Valve seat with punched cage (low noise)	1.4404						
	1	Ventilsitz mit Lochkäfig (geräuscharm) Valve seat with punched cage (low noise)	1.4404	15-36-034/47 H149114	15-36-034/47 H149114	15-36-437/47 H141521	15-36-437/47 H141521	15-36-011/47 H144859	
*		L-lineare Kennlinie-metall dichtend / L-characteristics linear -metal sealing							
*		LD-lineare Kennlinie-weich dichtend / LD-characteristics linear -soft sealing							
		G-gleichprozentige Kennlinie-metall dichtend / G-characteristics equal percentage-metal sealing							
		GD-gleichprozentige Kennlinie-weich dichtend / GD-characteristics equal percentage-soft sealing							

Weitergabe sowie Vervielfältigung dieser Unterlage, Verwertung und Mittelung ihres Inhalts nicht gestattet, soweit nicht schriftlich zugestanden. Verstoß verpflichtet zum Schadensersatz und kann strafrechtliche Folgen haben (Paragraf 18 UWG, Paragraf 106 UrhG). Eigentum und alle Rechte, auch für Patenterteilung und Gebrauchsmustererteilung, vorbehalten. SPX FLOW, Germany

Ersatzteilliste: spare parts list

**Regelventil RG4-Antrieb MAT 3277 oder MAT 271 (MFS oder MFH) 120,240,350,700cm<sup>2</sup> digitaler el.-pneum. oder pneum. Stellungsregler ; lineare oder gleichprozentige Kennlinie. Modulating valve RG4- with diaphragm actuator MAT 3277 or MAT 271 (spring: closed or open) 120,240,350,700cm<sup>2</sup> , digital electro-pneum. or pneum. positioner ; flow charact. lineare or equal percentage. 1-4 Zoll / inch**

Datum:	22.06.15
Name:	Trytko
Geprüft:	
Datum:	
Name:	
Geprüft:	



Blatt	10	von	12
<b>RN 01.170.1</b>			

pos. item	Menge quantity	Beschreibung description	Material	2,5"			3"		
				16	25	40	63	16	25
			WS-Nr. ref.-no.	WS-Nr. ref.-no.	WS-Nr. ref.-no.	WS-Nr. ref.-no.	WS-Nr. ref.-no.	WS-Nr. ref.-no.	WS-Nr. ref.-no.
32	1	Schaft-lineare Kennlinie L *	1.4404	15-25-036/42 H175757	15-25-013/42 H176315	15-25-587/42	15-25-056/42 H169153	15-25-036/42 H175757	
	1	Schaft-lineare Kennlinie LD *	1.4404	15-25-048/42 H159480	15-25-050/42 H159482	15-25-587/42 H321259	15-25-048/42 H159480	15-25-049/42 H159481	
	1	Schaft-gleichprozentige Kennlinie G *	1.4404	15-25-602/42 H331585	15-25-072/42 H333827		15-25-602/42 H331585	15-25-069/42 H163545	
	1	Schaft-gleichprozentige Kennlinie GD *	1.4404	15-25-028/42 H159145	15-25-030/42 H159147	15-25-588/42 H321260	15-25-028/42 H159145	15-25-029/42 H163545	
33	1	Tellerdichtung Seat seal	EPDM FDA-konform	58-33-394/93 H77470	58-33-444/93 H77494	58-33-494/93 H77518	58-33-394/93 H77470	58-33-394/93 H77470	
	1	Tellerdichtung Seat seal	FPM FDA-konform	58-33-394/73 H77469	58-33-444/73 H77493	58-33-494/73 H77517	58-33-394/73 H77469	58-33-394/73 H77469	
	1	Tellerdichtung Seat seal	HNBR FDA-konform	58-33-394/33 H172175	58-33-444/33 H165709	58-33-494/33 H172178	58-33-394/33 H172175	58-33-394/33 H172175	
	1	Tellerdichtung Seat seal	VMQ FDA-konform	58-33-394/13 H77468	58-33-444/13 H77492	58-33-494/13 H77516	58-33-394/13 H77468	58-33-394/13 H77468	
34	1	Ventilsitz metallisch dichtend Valve seat metal sealing	1.4404						
	1	Ventilsitz Valve seat	1.4404	15-36-069/42 H326912	15-36-075/42 H326914	15-36-072/42 H33486	15-36-069/42 H326912	15-36-154/42 H332539	
34.1	1	Ventilsitz mit Lochkäfig (geräuscharm) Valve seat with punched cage (low noise) metal sealing	1.4404						
	1	Ventilsitz mit Lochkäfig (geräuscharm) Valve seat with punched cage (low noise)	1.4404	15-36-071/47 H326913	15-36-077/47 H326915	15-36-016/47 H148263	15-36-071/47 H326913		
*		L-lineare Kennlinie-metall dichtend / L-characteristics linear -metal sealing							
*		LD-lineare Kennlinie-weich dichtend / LD-characteristics linear -soft sealing							
		G-gleichprozentige Kennlinie-metall dichtend / G-characteristics equal percentage-metal sealing							
		GD-gleichprozentige Kennlinie-weich dichtend / GD-characteristics equal percentage-soft sealing							

Weitergabe sowie Vervielfältigung dieser Unterlage, Verwertung und Mitteilung ihres Inhalts nicht gestattet, soweit nicht schriftlich zugestanden. Verstöß verpflichtet zum Schadensersatz und kann strafrechtliche Folgen haben (Paragraf 18 UWG, Paragraf 106 UrhG). Eigentum und alle Rechte, auch für Patenterteilung und Gebrauchsmustererteilung, vorbehalten. SPX FLOW, Germany

**Ersatzteilliste: spare parts list**

**Regelventil RG4-Antrieb MAT 3277 oder MAT 271 (MFS oder MFH) 120,240,350,700cm<sup>2</sup> digitaler el.-pneum. oder pneum. Stellungsregler ; lineare oder gleichprozentige Kennlinie. Modulating valve RG4- with diaphragm actuator MAT 3277 or MAT 271 (spring: closed or open) 120,240,350,700cm<sup>2</sup> , digital electro-pneum. or pneum. positioner ; flow charact. lineare or equal percentage. 1-4 Zoll / inch**

Datum:	22.06.15
Name:	Trytko
Geprüft:	
Datum:	
Name:	
Geprüft:	



Blatt 11 von 12  
**RN 01.170.1**

pos. item	Menge quantity	Beschreibung description	Material	3"			4"				
				WS-Nr. ref.-no.	WS-Nr. ref.-no.	WS-Nr. ref.-no.	WS-Nr. ref.-no.	WS-Nr. ref.-no.	WS-Nr. ref.-no.		
32	1	Schaft-lineare Kennlinie L *	1.4404	15-25-013/42 H176315							
	1	Schaft-lineare Kennlinie LD *	1.4404	15-25-050/42 H159483	15-25-051/42 H159483	15-25-054/42 H159763	15-25-051/42 H159483	15-25-052/42 H159309	15-25-055/42 H167867		
	1	Schaft-gleichprozentige Kennlinie G *	1.4404	15-25-072/42 H333827	15-25-073/42 H333843						
	1	Schaft-gleichprozentige Kennlinie GD *		15-25-030/42 H159147	15-25-031/42 H159148	15-25-034/42 H159762	15-25-031/42 H159148	15-25-032/42 H159149	15-25-035/42 H175422		
	1	Tellerdichtung Seat seal	EPDM FDA-konform	58-33-444/93 H77494	58-33-494/93 H77518	58-33-569/93 H77564	58-33-494/93 H77518	58-33-544/93 H77549	58-33-644/93 H77589		
33	1	Tellerdichtung Seat seal	FPM FDA-konform	58-33-444/73 H77493	58-33-494/73 H77517	58-33-569/73 H77563	58-33-494/73 H77517	58-33-544/73 H77548	58-33-644/73 H77588		
	1	Tellerdichtung Seat seal	HNBR FDA-konform	58-33-444/33 H165709	58-33-494/33 H172178	58-33-569/33 H176688	58-33-494/33 H172178	58-33-544/33 H172180	58-33-644/33 H172183		
	1	Tellerdichtung Seat seal	VMQ FDA-konform	58-33-444/13 H77492	58-33-494/13 H77516	58-33-569/13 H77562	58-33-494/13 H77516	58-33-544/13 H77547	58-33-644/13 H77587		
	1	Ventilsitz metallisch dichtend Valve seat metal sealing	1.4404								
34	1	Ventilsitz Valve seat	1.4404	15-36-138/42 H33511	15-36-139/42 H147062	15-36-140/42 H33512	15-36-079/42 H33490	15-36-042/42 H125799	15-36-043/42 H125798		
	1	Ventilsitz mit Lochkäfig (geräuscharm) Valve seat with punched cage (low noise) metal sealing	1.4404	15-36-021/47 H149597	15-36-022/47 H149599	15-36-115/47 H160041	15-36-020/47 H149005	15-36-637/47 H141526	15-36-033/47 H152311		
<p><b>L-lineare Kennlinie-metall dichtend / L-characteristics linear -metal sealing</b>  <b>LD-lineare Kennlinie-weich dichtend / LD-characteristics linear -soft sealing</b>  <b>G-gleichprozentige Kennlinie-metall dichtend / G-characteristics equal percentage-metal sealing</b>  <b>GD-gleichprozentige Kennlinie-weich dichtend / GD-characteristics equal percentage-soft sealing</b></p>											

Weitergabe sowie Vervielfältigung dieser Unterlage, Verwertung und Mitteilung ihres Inhalts nicht gestattet, soweit nicht schriftlich zugestanden. Verstöß verpflichtet zum Schadensersatz und kann strafrechtliche Folgen haben (Paragraf 18 UWG, Paragraf 106 UrhG). Eigentum und alle Rechte, auch für Patenterteilung und Gebrauchsmustererteilung, vorbehalten. SPX FLOW, Germany

Ersatzteilliste: spare parts list

**Regelventil RG4-Antrieb MAT 3277 oder MAT 271 (MFS oder MFH) 120,240,350,700cm<sup>2</sup> digitaler el.-pneum. oder pneum. Stellungsregler ; lineare oder gleichprozentige Kennlinie. Modulating valve RG4- with diaphragm actuator MAT 3277 or MAT 271 (spring: closed or open) 120,240,350,700cm<sup>2</sup> , digital electro-pneum. or pneum. positioner ; flow charact. lineare or equal percentage. 1-4 Zoll / inch**

Datum:	22.06.15
Name:	Trytko
Geprüft:	
Datum:	
Name:	
Geprüft:	



Blatt 12 von 12  
**RN 01.170.1**

pos. item	Menge quantity	Beschreibung description	Material	4" 160 Hub:30mm WS-Nr. ref.-no.	WS-Nr. ref.-no.	WS-Nr. ref.-no.	WS-Nr. ref.-no.	WS-Nr. ref.-no.	
32	1	Schaft-lineare Kennlinie L *	1.4404						
		Shaft flow characteristics -linear L *							
	1	Schaft-lineare Kennlinie LD *	1.4404						
		Shaft flow characteristics -linear LD *							
33	1	Schaft-gleichprozentige Kennlinie G *	1.4404						
		Shaft flow character. -equal percentage G *							
	1	Schaft-gleichprozentige Kennlinie GD *	1.4404						
		Shaft flow character. -equal percentage GD *							
34	1	Tellerdichtung Seat seal	EPDM FDA-konform						
	1	Tellerdichtung Seat seal	FPM FDA-konform						
	1	Tellerdichtung Seat seal	HNBR FDA-konform						
	1	Tellerdichtung Seat seal	VMQ FDA-konform						
34.1	1	Ventilsitz metallisch dichtend Valve seat metal sealing	1.4404						
	1	Ventilsitz Valve seat	1.4404						
	1	Ventilsitz mit Lochkäfig (geräuscharm) metallisch dichtend Valve seat with punched cage (low noise) metal sealing	1.4404						
	1	Ventilsitz mit Lochkäfig (geräuscharm) Valve seat with punched cage (low noise)	1.4404						
	*	<b>L-lineare Kennlinie-metall dichtend / L-characteristics linear -metal sealing</b>							
	*	<b>LD-lineare Kennlinie-weich dichtend / LD-characteristics linear -soft sealing</b>							
		<b>G-gleichprozentige Kennlinie-metall dichtend / G-characteristics equal percentage-metal sealing</b>							
		<b>GD-gleichprozentige Kennlinie-weich dichtend / GD-characteristics equal percentage-soft sealing</b>							



Weitergabe sowie Vervielfältigung dieser Unterlage, Verwertung und Mitteilung ihres Inhalts nicht gestattet, soweit nicht schriftlich zugestanden. Verstöß verpflichtet zum Schadensersatz und kann strafrechtliche Folgen haben (Paragraf 18 UWVG, Paragraf 106 UrtG). Eigentum und alle Rechte, auch für Patenterteilung und Gebrauchsmustererteilung, vorbehalten. SPX FLOW, Germany

Ersatzteilliste: spare parts list

**Regelventil RG4-Antrieb MAT 3277 oder MAT 271 (MFS oder MFH) 120,240,350,700cm<sup>2</sup> digitaler el.-pneum. oder pneum. Stellungsregler ; lineare oder gleichprozentige Kennlinie. Modulating valve RG4- with diaphragm actuator MAT 3277 or MAT 271 (spring: closed or open) 120,240,350,700cm<sup>2</sup> , digital el.-pneum. or pneum. positioner ; flow charact. lineare or equal percentage. 1-4 Zoll / inch**

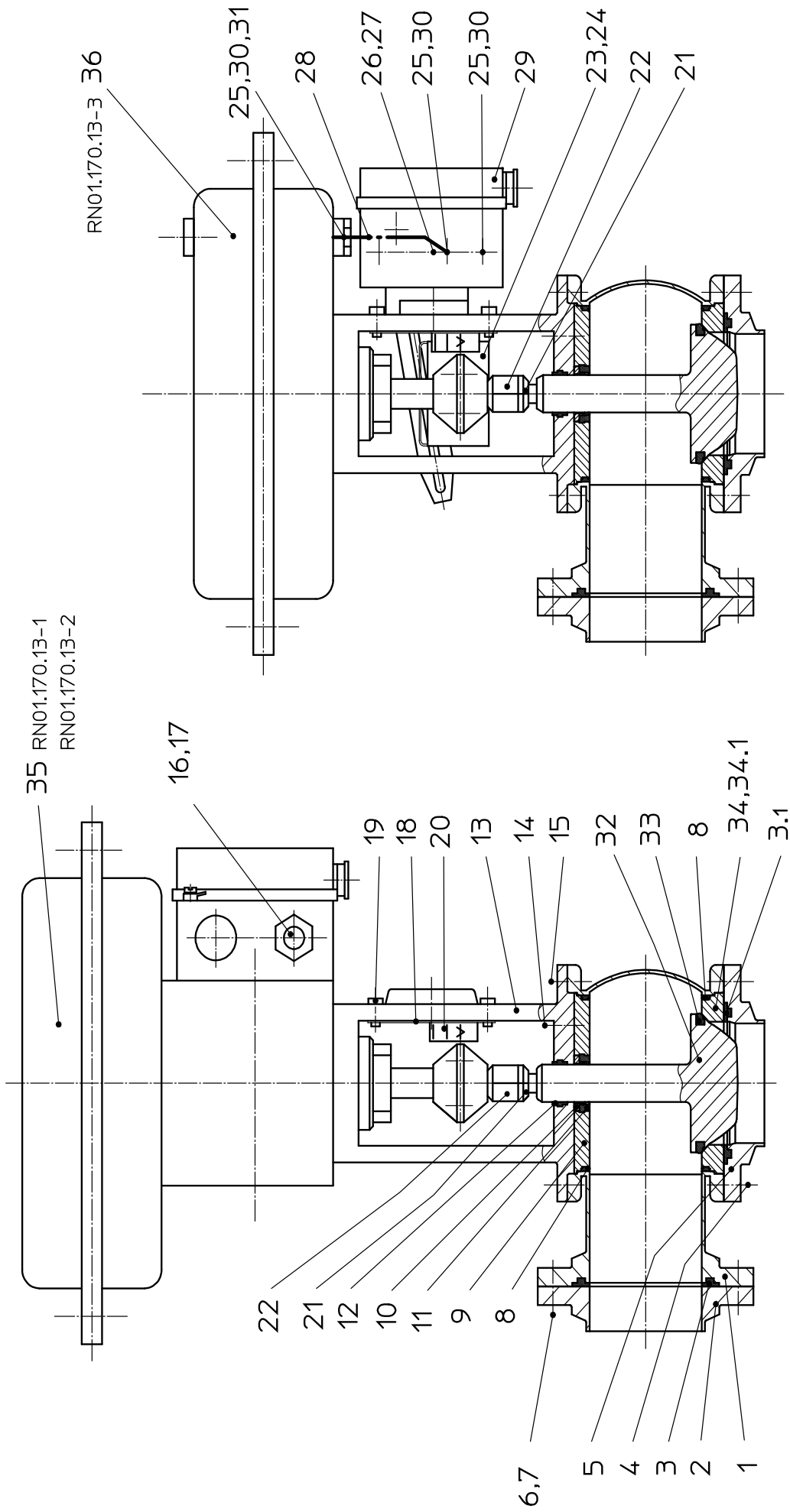


Datum: 16.09.15  
Name: Trytko  
Geprüft:

Datum:  
Name:  
Geprüft:

Blatt 1 von 12

RN 01.170.8







Weitergabe sowie Vervielfältigung dieser Unterlage, Verwertung und Mittelteilung ihres Inhalts nicht gestattet, soweit nicht schriftlich zugestanden. Verstöß verpflichtet zum Schadensersatz und kann strafrechtliche Folgen haben (Paragraf 18 UWG, Paragraf 106 UrhG). Eigentum und alle Rechte, auch für Patenterteilung und Gebrauchsmustererteilung, vorbehalten. SPX FLOW, Germany

Ersatzteilliste: spare parts list

**Regelventil RG4-Antrieb MAT 3277 oder MAT 271 (MFS oder MFH) 120,240,350,700cm<sup>2</sup> digitaler el.-pneum. oder pneum. Stellungsregler ; lineare oder gleichprozentige Kennlinie. Modulating valve RG4- with diaphragm actuator MAT 3277 or MAT 271 (spring: closed or open) 120,240,350,700cm<sup>2</sup> , digital el.-pneum. or pneum. positioner ; flow charact. lineare or equal percentage.**

Datum:	16.09.15	07.12.17
Name:	Trytko	Sender
Geprüft:		Goebel
Datum:		
Name:		
Geprüft:		



Blatt 3 von 12

**RN 01.170.8**

pos. item	Menge quantity	Beschreibung description	Material	1"	1,5"	2"	2,5"	3"	4"	
				WS-Nr. ref.-no.	WS-Nr. ref.-no.	WS-Nr. ref.-no.	WS-Nr. ref.-no.	WS-Nr. ref.-no.	WS-Nr. ref.-no.	
8	2	Gehäusedichtung Housing seal	FPM FDA-konform	58-33-292/73 H77438	58-33-392/73 H77463	58-33-442/73 H77487	58-33-492/73 H77511	58-33-567/73 H77557	58-33-642/73 H77582	
	2	Gehäusedichtung Housing seal	HNBR FDA-konform	58-33-292/33 H170017	58-33-392/33 H170018	58-33-442/33 H168714	58-33-492/33 H168759	58-33-567/33 H170013	58-33-642/33 H170074	
9	1	Gehäusedeckel Housing cover	1.4404	15-00-65/42 H156869	15-00-069/42 H156409	15-00-793/42 148194	15-00-794/42 H151968	15-00-799/42 H159895	15-00-798/42 H159888	
10	1	Schaftdichtung Shaft seal	Turcon MF6	3A0 58-33-151/24 H323082						
11	1	Tellerdichtung Seat seal	EPDM FDA-konform	58-33-293/93 H77442						
	1	Tellerdichtung Seat seal	FPM FDA-konform	58-33-293/73 H77441						
	1	Tellerdichtung Seat seal	HNBR FDA-konform	58-33-293/33 H170176						
	1	Tellerdichtung Seat seal	VMQ FDA-konform	58-33-293/13 H77440						
12	1	Führungsbuchse Bushing	PEEK	08-01-178/27 H315800						
13	1	Laterne Yoke	1.4308	3A0 16-40-108/13 H321161	3A0 16-40-109/13 H321126	3A0 16-40-110/13 H311118	3A0 16-40-111/13 H329381	3A0 16-40-116/13 H320035	3A0 16-40-113/13	
	1	Laterne Yoke	1.4308	16-40-108/17 H157564	16-40-109/17 H157565	16-40-110/17 H157567	16-40-111/17 H157568	16-40-116/17 H159379	16-40-113/17 H157572	
14	1	Skt. Schraube Hex. Screw	A2-70	65-01-056/13 M6x16 H78751						65-01-081/15 M8x16 H78772
15		Skt. Schraube Hex. Screw	A2-70	65-01-081/15 4x M8x16 H78772						65-01-130/15 8xM10x16 H78806
16	1	Winkelverschraub. Elbow union	G1/8 ø6mm schwenkbar / slewable	08-60-750/93 H208825						
17	1	Reduziernippel G1/4" G1/8" Red. Nipple G1/4" G1/8"	MS58	09-14-040/93 H17018						
18	1	Befestigungsblech für Hubanzeige Mounting plate for stroke indicator	1.4301	08-29-292/13 H161763						

Weitergabe sowie Vervielfältigung dieser Unterlage, Verwertung und Mitteilung ihres Inhalts nicht gestattet, soweit nicht schriftlich zugestanden. Verstöß verpflichtet zum Schadensersatz und kann strafrechtliche Folgen haben (Paragraf 18 UWG, Paragraf 106 UrhG). Eigentum und alle Rechte, auch für Patenterteilung und Gebrauchsmustererteilung, vorbehalten. SPX FLOW, Germany

Ersatzteilliste: spare parts list

**Regelventil RG4-Antrieb MAT 3277 oder MAT 271 (MFS oder MFH) 120,240,350,700cm<sup>2</sup> digitaler el.-pneum. oder pneum. Stellungsregler ; lineare oder gleichprozentige Kennlinie. Modulating valve RG4- with diaphragm actuator MAT 3277 or MAT 271 (spring: closed or open) 120,240,350,700cm<sup>2</sup> , digital el.-pneum. or pneum. positioner ; flow charact. lineare or equal percentage. 1-4 Zoll / inch**

pos. item	Menge quantity	Beschreibung description	Material	1"	1,5"	2"	2,5"	3"	4"
				WS-Nr. ref.-no.	WS-Nr. ref.-no.	WS-Nr. ref.-no.	WS-Nr. ref.-no.	WS-Nr. ref.-no.	WS-Nr. ref.-no.
19	2	Flachkopfschraube Pan head screw DIN EN ISO 1580	1.4301						
20	1	Hubanzeige Stroke indicator 15mm	1.4301						
21	1	Kontermutter Mating nut M10x1	1.4301						
22	1	Kupplungskopf klein Hose coupling small für Antr.-Fläche for actuator area 120cm <sup>2</sup>	1.4301						
	1	Kupplungskopf groß Hose coupling great für Antr.-Fläche for actuator area 240_350_700cm <sup>2</sup>	1.4301						
23	1	Mitnehmerplatte komplett Driving plate complete	1.4301						
24	1	Befestigungswinkel Angle bracket für kvs 16-160 for kvs 16-160	1.4301						
	3	Winkelverschraub. Elbow union G1/8 ø6mm schwenkbar / slewable							
26	1	Skt. Schraube Hex. Screw DIN EN 24014	A2-70						
27	1	Scheibe Wascher DIN 125 A	A2-70						
28	1	Schlauch Hose 6x1x500							
29	1	El.-pn.-Regler IP763 El.-pn.-positioner IP763 ohne Zubehör -Hebel I Feder I (Hub 15)	Aluminium Druckguss aluminium die casted						
	1	Pn.-Regler P765 Pn.-positioner P765 withouth acces. -lever I spring I (stroke 15)							
30	3	Reduziernippel G1/4" G1/8" Red. Nipple G1/4" G1/8" beim Antrieb 120, 240 for actuator 120, 240	MS58						
	2	Reduziernippel G1/4" G1/8" Red. Nipple G1/4" G1/8" beim Antrieb 350, 700 for actuator 350, 700	MS58						
31	1	Reduziernippel G3/8" G1/8" Red. Nipple G3/8" G1/8" beim Antrieb 350, 700 for actuator 350, 700	MS58						



Blatt 4 von 12  
RN 01.170.8

Datum: 16.09.15  
Name: Trytko  
Geprüft:

Datum: 2"  
WS-Nr. ref.-no.  
WS-Nr. ref.-no.  
WS-Nr. ref.-no.

Datum: 65-04-307/13  
Name: M5x12 H127391  
Geprüft: 08-29-290/13 H161761  
21-50-025/15 H162483  
08-52-280/15 H162484  
08-52-281/15 H162485  
08-44-001/15 H162486  
08-44-002/15 H162487  
08-60-750/93 H208825  
65-01-107/13 MBx70 H78803  
67-01-022/15 l=8,4 H79594  
08-75-055/53 H16541  
29-03-013/93 H66919  
29-03-004/93 H66913  
09-14-040/93 H17018  
09-14-040/93 H17018  
09-14-041/93 H17019



Weitergabe sowie Vervielfältigung dieser Unterlage, Verwertung und Mitteilung ihres Inhalts nicht gestattet, soweit nicht schriftlich zugestanden. Verstoß verpflichtend zum Schadensersatz und kann strafrechtliche Folgen haben (Paragraf 18 UWG, Paragraf 106 UrnG). Eigentum und alle Rechte, auch für Patenterteilung und Gebrauchsmustererteilung, vorbehalten. SPX FLOW, Germany

Ersatzteilliste: spare parts list

**Regelventil RG4-Antrieb MAT 3277 oder MAT 271 (MFS oder MFH) 120,240,350,700cm<sup>2</sup> digitaler el-pneum. oder pneum. Stellungsregler ; lineare oder gleichprozentige Kennlinie. Modulating valve RG4- with diaphragm actuator MAT 3277 or MAT 271 (spring: closed or open) 120,240,350,700cm<sup>2</sup> , digital el-pneum. or pneum. positioner ; flow charact. lineare or equal percentage. 1-4 Zoll / inch**

Datum:	16.09.15
Name:	Trytko
Geprüft:	
Datum:	
Name:	
Geprüft:	

Blatt 6 von 12	
<b>RN 01.170.8</b>	



pos. item	Menge quantity	Beschreibung description	Material	DN/kvs					
				1"/0,25	1"/0,4	1"/0,63	1"/1,0	1"/1,6	1"/2,5
				WS-Nr. ref.-no.	WS-Nr. ref.-no.	WS-Nr. ref.-no.	WS-Nr. ref.-no.	WS-Nr. ref.-no.	WS-Nr. ref.-no.
32	1	Schaft-lineare Kennlinie L *	1.4404	15-25-039/42 H160658	15-25-040/42 H160666	15-25-041/42 H160668	15-25-042/42 H160669	15-25-043/42 H159401	
	1	Schaft-lineare Kennlinie LD *	1.4404		15-25-207/42 H331801	15-25-155/42 H179617	15-25-156/42 H179618	15-25-157/42 H179620	15-25-044/42 H159476
	1	Schaft-gleichprozentige Kennlinie G *	1.4404	15-25-019/42 H160657	15-25-020/42 H159245	15-25-021/42 H159244	15-25-022/42 H159243	15-25-023/42 H159140	
	1	Schaft-gleichprozentige Kennlinie GD *	1.4404		15-25-149/42 H320892	15-25-144/42 H312777	15-25-154/42 H208609	15-25-142/42 H311745	15-25-024/42 H159141
33	1	Tellerdichtung Seat seal	EPDM FDA-konform				58-33-294/93 H77445		
	1	Tellerdichtung Seat seal	FPM FDA-konform				58-33-294/73 H77444		
	1	Tellerdichtung Seat seal	HNBR FDA-konform				58-33-294/33 H172173		
	1	Tellerdichtung Seat seal	VMQ FDA-konform				58-33-294/13 H77443		
34	1	Ventilsitz metallisch dichtend Valve seat metal sealing	1.4404	15-36-150/42 H160650			15-36-027/42 H126717		
	1	Ventilsitz Valve seat	1.4404	15-36-057/42 H317103			15-36-155/42 H179615		15-36-028/42 H126716
34.1	1	Ventilsitz mit Lochkäfig (geräuscharm) Valve seat with punched cage (low noise) metal sealing	1.4404						
	1	Ventilsitz mit Lochkäfig (geräuscharm) Valve seat with punched cage (low noise)	1.4404						15-36-116/47 H179830
*		L-lineare Kennlinie-metall dichtend / L-characteristics linear -metal sealing							
*		LD-lineare Kennlinie-weich dichtend / LD-characteristics linear -soft sealing							
		G-gleichprozentige Kennlinie-metall dichtend / G-characteristics equal percentage-metal sealing							
		GD-gleichprozentige Kennlinie-weich dichtend / GD-characteristics equal percentage-soft sealing							

Weitergabe sowie Vervielfältigung dieser Unterlage, Verwertung und Mitteilung ihres Inhalts nicht gestattet, soweit nicht schriftlich zugestanden. Verstößt verpflichtet zum Schadensersatz und kann strafrechtliche Folgen haben (Paragraf 18 UWG, Paragraf 106 UrhG). Eigentum und alle Rechte, auch für Patenterteilung und Gebrauchsmustereintragung, vorbehalten. SPX FLOW, Germany

Ersatzteilliste: spare parts list

**Regelventil RG4-Antrieb MAT 3277 oder MAT 271 (MFS oder MFH) 120,240,350,700cm<sup>2</sup> digitaler el-pneum. oder pneum. Stellungsregler ; lineare oder gleichprozentige Kennlinie. Modulating valve RG4- with diaphragm actuator MAT 3277 or MAT 271 (spring: closed or open) 120,240,350,700cm<sup>2</sup> , digital el-pneum. or pneum. positioner ; flow charact. lineare or equal percentage. 1-4 Zoll / inch**

Datum:	16.09.15
Name:	Trytko
Geprüft:	
Datum:	
Name:	
Geprüft:	

Blatt 7 von 12	
<b>RN 01.170.8</b>	



pos. item	Menge quantity	Beschreibung description	Material	DN/kvs					
				1"/4,0 WS-Nr. ref.-no.	1"/6,3 WS-Nr. ref.-no.	1"/10 WS-Nr. ref.-no.	1,5"/1,0 WS-Nr. ref.-no.		
32	1	Schaft-lineare Kennlinie L *	1.4404			15-25-041/42 H160668	15-25-042/42 H160669	1,5"/1,6 WS-Nr. ref.-no. 15-25-043/42 H159401	
	1	Schaft-lineare Kennlinie LD *	1.4404	15-25-045/42 H159477	15-25-046/42 H159478	15-25-047/42 H159479	15-25-155/42 H179617	15-25-156/42 H179618	15-25-157/42 H179620
	1	Schaft-gleichprozentige Kennlinie G *	1.4404	15-25-590/42 H326212	15-25-139/42 H207739	15-25-138/42 H207038	15-25-021/42 H159244	15-25-022/42 H159243	15-25-023/42 H159140
	1	Schaft-gleichprozentige Kennlinie GD *	1.4404	15-25-025/42 H159142	15-25-026/42 H159143	15-25-027/42 H159144	15-25-144/42 H312777	15-25-154/42 H208609	15-25-142/42 H311745
33	1	Tellerdichtung Seat seal	EPDM FDA-konform	58-33-294/93 H77445					
	1	Tellerdichtung Seat seal	FPM FDA-konform	58-33-294/73 H77444					
	1	Tellerdichtung Seat seal	HNBR FDA-konform	58-33-294/33 H172173					
	1	Tellerdichtung Seat seal	VMQ FDA-konform	58-33-294/13 H77443					
34	1	Ventilsitz metallisch dichtend Valve seat metal sealing	1.4404	15-36-149/42 H152848			15-36-030/42 H126763		
	1	Ventilsitz Valve seat	1.4404	15-36-028/42 H126716	15-36-054/42 H33476		15-36-051/42 H312776		
34.1	1	Ventilsitz mit Lochkäfig (geräuscharm) metallisch dichtend Valve seat with punched cage (low noise) metal sealing	1.4404						
	1	Ventilsitz mit Lochkäfig (geräuscharm) Valve seat with punched cage (low noise)	1.4404	15-36-035/47 H146941	15-36-008/47 H146768				
*		<b>L-lineare Kennlinie-metall dichtend / L-characteristics linear -metal sealing</b>							
*		<b>LD-lineare Kennlinie-weich dichtend / LD-characteristics linear -soft sealing</b>							
		<b>G-gleichprozentige Kennlinie-metall dichtend / G-characteristics equal percentage-metal sealing</b>							
		<b>GD-gleichprozentige Kennlinie-weich dichtend / GD-characteristics equal percentage-soft sealing</b>							





Weitergabe sowie Vervielfältigung dieser Unterlage, Verwertung und Mitteilung ihres Inhalts nicht gestattet, soweit nicht schriftlich zugestanden. Verstöß verpflichtet zum Schadensersatz und kann strafrechtliche Folgen haben (Paragraf 18 UWG, Paragraf 106 UrhG). Eigentum und alle Rechte, auch für Patenterteilung und Gebrauchsmustereintragung, vorbehalten. SPX FLOW, Germany

Ersatzteilliste: spare parts list

Regelventil RG4-Antrieb MAT 3277 oder MAT 271 (MFS oder MFH) 120,240,350,700cm<sup>2</sup> digitaler el-pneum. oder pneum. Stellungsregler; lineare oder gleichprozentige Kennlinie. Modulating valve RG4- with diaphragm actuator MAT 3277 or MAT 271 (spring: closed or open) 120,240,350,700cm<sup>2</sup>, digital el-pneum. or pneum. positioner; flow charact. lineare or equal percentage. 1-4 Zoll / inch

Datum:	16.09.15
Name:	Trytko
Geprüft:	
Datum:	
Name:	
Geprüft:	
Blatt 9 von 12	
RN 01.170.8	



pos. item	Menge quantity	Beschreibung description	Material	DN/kvs				
				2"/4,0 WS-Nr. ref.-no.	2"/6,3 WS-Nr. ref.-no.	2"/10 WS-Nr. ref.-no.	2"/16 WS-Nr. ref.-no.	2"/25 WS-Nr. ref.-no.
32	1	Schaft-lineare Kennlinie L *	1.4404			15-25-056/42 H169153	15-25-036/42 H175757	15-25-013/42 H176315
	1	Schaft-lineare Kennlinie LD *	1.4404	15-25-046/42 H159478	15-25-047/42 H159479	15-25-048/42 H159480	15-25-049/42 H159481	15-25-050/42 H159482
	1	Schaft-gleichprozentige Kennlinie G *	1.4404	15-25-139/42 H207739	15-25-138/42 H207038	15-25-602/42 H331585	15-25-069/42 H163545	15-25-072/42 H333827
	1	Schaft-gleichprozentige Kennlinie GD *	1.4404	15-25-026/42 H159142	15-25-027/42 H159144	15-25-028/42 H159145	15-25-029/42 H159146	15-25-030/42 H159147
33	1	Tellerdichtung Seat seal	EPDM FDA-konform	58-33-294/93 H77445	58-33-294/93 H77470	58-33-394/93 H77494	58-33-444/93 H77494	
	1	Tellerdichtung Seat seal	FPM FDA-konform	58-33-294/73 H77444	58-33-294/73 H77469	58-33-394/73 H77493	58-33-444/73 H77493	
	1	Tellerdichtung Seat seal	HNBR FDA-konform	58-33-294/33 H172173	58-33-294/33 H172175	58-33-394/33 H172175	58-33-444/33 H165709	
	1	Tellerdichtung Seat seal	VMQ FDA-konform	58-33-294/13 H77443	58-33-294/13 H77468	58-33-394/13 H77468	58-33-444/13 H77492	
34	1	Ventilsitz metallisch dichtend Valve seat metal sealing	1.4404					
	1	Ventilsitz Valve seat	1.4404	15-36-041/42 H202927	15-36-062/42 H33481	15-36-064/42 H33482	15-36-064/42 H33482	15-36-066/42 H33483
34.1	1	Ventilsitz mit Lochkäfig (geräuscharm) Valve seat with punched cage (low noise)	1.4404					
	1	Ventilsitz mit Lochkäfig (geräuscharm) Valve seat with punched cage (low noise)	1.4404	15-36-034/47 H149114	15-36-034/47 H149114	15-36-437/47 H141521	15-36-437/47 H141521	15-36-011/47 H144859
*		L-lineare Kennlinie-metall dichtend / L-characteristics linear -metal sealing						
*		LD-lineare Kennlinie-weich dichtend / LD-characteristics linear -soft sealing						
		G-gleichprozentige Kennlinie-metall dichtend / G-characteristics equal percentage-metal sealing						
		GD-gleichprozentige Kennlinie-weich dichtend / GD-characteristics equal percentage-soft sealing						







Weitergabe sowie Vervielfältigung dieser Unterlage, Verwertung und Mitteilung ihres Inhalts nicht gestattet, soweit nicht schriftlich zugestanden. Verstöß verpflichtet zum Schadensersatz und kann strafrechtliche Folgen haben (Paragraf 18 UWG, Paragraf 106 UrhG). Eigentum und alle Rechte, auch für Patenterteilung und Gebrauchsmustererteilung, vorbehalten. SPX FLOW, Germany

Ersatzteilliste: spare parts list

**Regelventil RG4-Antrieb MAT 3277 oder MAT 271 (MFS oder MFH) 120,240,350,700cm<sup>2</sup> digitaler el-pneum. oder pneum. Stellungsregler ; lineare oder gleichprozentige Kennlinie. Modulating valve RG4- with diaphragm actuator MAT 3277 or MAT 271 (spring: closed or open) 120,240,350,700cm<sup>2</sup> , digital el-pneum. or pneum. positioner ; flow charact. lineare or equal percentage. 1-4 Zoll / inch**

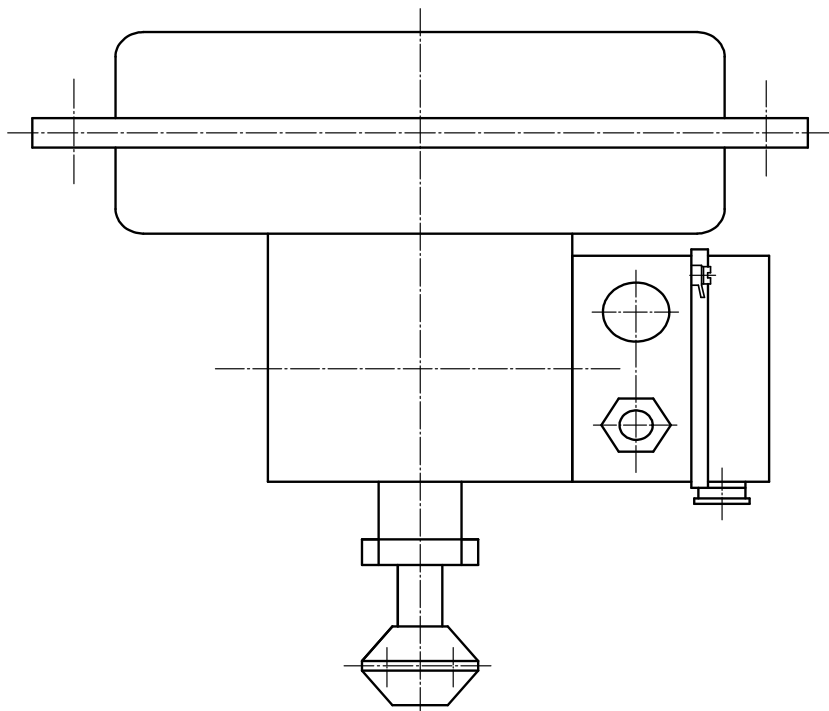
Datum:	16.09.15
Name:	Trytko
Geprüft:	
Datum:	
Name:	
Geprüft:	

Blatt	12	von	12
<b>RN 01.170.8</b>			

<b>APV</b>	
SPX FLOW Germany	

pos. item	Menge quantity	Beschreibung description	Material	4"/160 Hub:30mm			DN/kvs		
				WS-Nr. ref.-no.	WS-Nr. ref.-no.	WS-Nr. ref.-no.	WS-Nr. ref.-no.	WS-Nr. ref.-no.	WS-Nr. ref.-no.
32	1	Schaft-lineare Kennlinie L *	1.4404						
		Shaft flow characteristics -linear L *							
	1	Schaft-lineare Kennlinie LD *	1.4404						
		Shaft flow characteristics -linear LD *							
33	1	Schaft-gleichprozentige Kennlinie G *	1.4404						
		Shaft flow character. -equal percentage G *							
	1	Schaft-gleichprozentige Kennlinie GD *	1.4404						
		Shaft flow character. -equal percentage GD *							
34	1	Tellerdichtung Seat seal	EPDM FDA-konform						
		Tellerdichtung Seat seal							
	1	Tellerdichtung Seat seal	FPM FDA-konform						
		Tellerdichtung Seat seal							
34.1	1	Tellerdichtung Seat seal	HNBR FDA-konform						
		Tellerdichtung Seat seal							
	1	Tellerdichtung Seat seal	VMQ FDA-konform						
		Tellerdichtung Seat seal							
34.1	1	Ventilsitz metallisch dichtend Valve seat metal sealing	1.4404						
		Ventilsitz Valve seat							
	1	Ventilsitz mit Lochkäfig (geräuscharm) metallisch dichtend Valve seat with punched cage (low noise) metal sealing	1.4404						
		Ventilsitz mit Lochkäfig (geräuscharm) Valve seat with punched cage (low noise)							
*									
*									

L-lineare Kennlinie-metall dichtend / L-characteristics linear -metal sealing  
 LD-lineare Kennlinie-weich dichtend / LD-characteristics linear -soft sealing  
 G-gleichprozentige Kennlinie-metall dichtend / G-characteristics equal percentage-metal sealing  
 GD-gleichprozentige Kennlinie-weich dichtend / GD-characteristics equal percentage-soft sealing



### MFS-Membrantrieb federschließend / diaphragm actuator NC

Antr.-Fläche Actuator area	Stelldruck Air pressure	IP 3730-0	IP 3730-1 LCD-Anzeige LCD-display	IP 3730-2 LCD-Anzeige LCD-display	IP 3730-3 Hart-Protokoll Hart-protocol	IP 3730-4 Profibus PA	IP 3730-5 Found Fieldbus
120 cm <sup>2</sup>	1,4-2,3 bar	16-31-400/17 H314805	16-31-450/17 H319251	16-31-401/17 H314806	16-31-402/17 H320120	16-31-403/17 H322753	16-31-404/17
240 cm <sup>2</sup>	1,2-2,5 bar	16-31-405/17 H314807	16-31-451/17 H319252	16-31-406/17 H314808	16-31-407/17 H320121	16-31-408/17 H322754	16-31-409/17
350 cm <sup>2</sup>	1,4-2,3 bar	16-31-410/17 H314809	16-31-452/17 H319253	16-31-411/17 H314810	16-31-412/17 H322750	16-31-413/17 H320753	16-31-414/17
	2,1-3,3 bar	16-31-415/17 H314811	16-31-453/17 H319254	16-31-416/17 H314812	16-31-417/17 H322751	16-31-418/17 H320864	16-31-419/17
700 cm <sup>2</sup>	1,4-2,3 bar	16-31-420/17 H314813	16-31-454/17 H319255	16-31-421/17 H314814	16-31-422/17 H322752	16-31-423/17 H322755	16-31-424/17

### MFH-Membrantrieb federhebend / diaphragm actuator NO

Antr.-Fläche Actuator area	Stelldruck Air pressure	IP 3730-0	IP 3730-1 LCD-Anzeige LCD-display	IP 3730-2 LCD-Anzeige LCD-display	IP 3730-3 Hart-Protokoll Hart-protocol	IP 3730-4 Profibus PA	IP 3730-5 Found Fieldbus
120 cm <sup>2</sup>	0,2-1,0 bar	16-31-425/17 H314815	16-31-456/17 H324851	16-31-426/17 H314816	16-31-427/17 H322756	16-31-428/17 H322760	16-31-429/17
240 cm <sup>2</sup>	0,2-1,0 bar	16-31-430/17 H314817	16-31-457/17 H324831	16-31-431/17 H314818	16-31-432/17 H322757	16-31-433/17 H322761	16-31-434/17
350 cm <sup>2</sup>	0,2-1,0 bar	16-31-435/17 H314819	16-31-458/17 H324852	16-31-436/17 H314820	16-31-437/17 H322758	16-31-438/17 H322762	16-31-439/17
700 cm <sup>2</sup>	0,2-1,0 bar	16-31-440/17 H314821	16-31-459/17 H324853	16-31-441/17 H314822	16-31-442/17 H322758	16-31-443/17 H322763	16-31-444/17

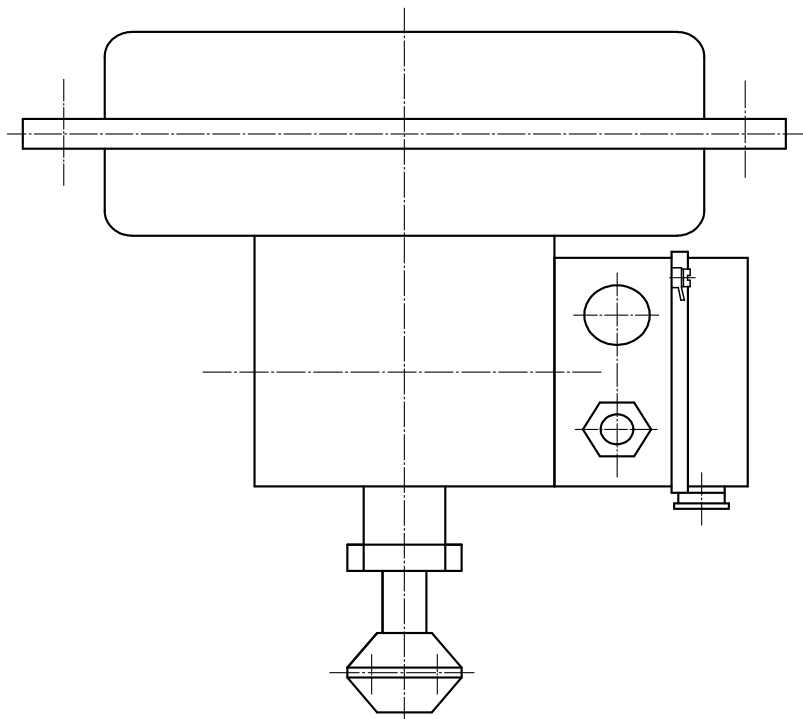
Datum:	16.08.11	23.10.13	24.07.15	28.02.17						
Name:	Trytko	Trytko	Trytko	C.Keil						
Geprüft:	Knöchel	Knöchel	Knöchel							



Ersatzteilliste: spare parts list  
**RG4-Pneumat. Stellantrieb MAT 3277 MFS-federschließend und MFH-federhebend  
mit digitalem elektro-pneumatischem Stellungsregler IP3730**  
**RG4-Pneum. actuator MAT 3277 spring closed and open with digital el.-pneum. positioner  
IP 3730**

SPX FLOW  
Germany  
Blatt 1 von 1  
**RN 01.170.13-1**

Weitergabe sowie Vervielfältigung dieser Unterlage, Verwertung und Mitteilung  
ihres Inhalts nicht gestattet, soweit nicht schriftlich zugestanden. Verstoß  
verpflichtet zum Schadensersatz und kann strafrechtliche Folgen haben  
(Paragraf 18 UWG, Paragraf 106 UrhG). Eigentum und alle Rechte, auch  
für Patenterteilung und Gebrauchsmustereintragung, vorbehalten. SPX FLOW, Germany



		Membranantrieb MFS Diaphragm actuator NC			Membranantrieb MFH Diaphragm actuator NO		
Fläche Surface	Hub Stroke	IP 3767	IP 3725	P 3766	IP 3767	P 3725	P 3766
120 cm <sup>2</sup>		1,4-2,3 bar	1,4-2,3 bar	1,4-2,3 bar	0,2-1,0 bar	0,2-1,0 bar	0,2-1,0 bar
	15	16-31-850/17 H157638	16-31-901/17 H166857	16-31-851/17 H157639	16-31-870/17 H157642	16-31-925/17 H329826	16-31-871/17 H157643
	7,5	16-31-896/17 H164415					16-31-906/17 H169722
240 cm <sup>2</sup>		1,2-2,5 bar	1,2-2,5 bar	1,2-2,5 bar	0,2-1,0 bar	0,2-1,0 bar	0,2-1,0 bar
	15	16-31-854/17 H157640	16-31-904/17 H168410	16-31-855/17 H157641	16-31-874/17 H157644	16-31-913/17 H172658	16-31-875/17 H157645
	7,5						16-31-907/17 H169723
350 cm <sup>2</sup>	15	1,3-2,5 bar	1,3-2,5 bar	1,3-2,5 bar	0,2-1,0 bar	0,2-1,0 bar	0,2-1,0 bar
		16-31-858/17 H157581	16-31-905/17 H169224	16-31-860/17 H161014	16-31-878/17 H157636	16-31-926/17 H329827	16-31-879/17 H157637
		2,1-3,3 bar	2,1-3,3 bar	2,1-3,3 bar			
		16-31-859/17 H157583	16-31-947/17 H629946	16-31-861/17 H161015			
700 cm <sup>2</sup>	30	1,4-2,3 bar	1,4-2,3 bar	1,4-2,3 bar	0,2-1,0 bar	0,2-1,0 bar	0,2-1,0 bar
		16-31-864/17 H161016	16-31-919/17 H329825	16-31-865/17 H161017	16-31-884/17 H161018	16-31-927/17 H329828	16-31-885/17 H161019

Datum:	16.08.11	20.09.12	23.10.13	24.07.15	28.02.17					
Name:	Trytko	Trytko	Trytko	Trytko	C.Keil					
Geprüft:	Knöchel	Knöchel	Knöchel	Knöchel						

Ersatzteilliste: spare parts list  
**RG4-Pneumat. Stellantrieb MAT 3277 MFS-federschließend und MFH-federhebend mit integriertem Stellungsregler (el-pneum. und pneum.) IP 3767, IP 3725 und P 3766**  
**RG4-Pneum. actuator MAT 3277 spring closed and open with integrated positioner IP 3767, IP 3725 or P 3766 (el-pneum. or pneum.)**

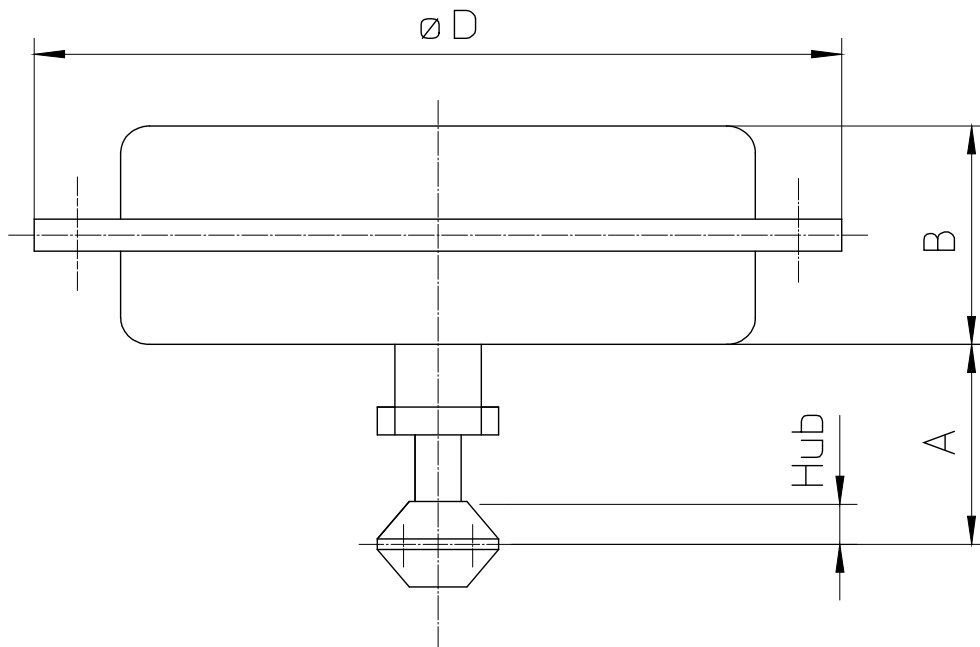


SPX FLOW  
Germany

Blatt 1 von 1

**RN 01.170.13-2**

Weitergabe sowie Vervielfältigung dieser Unterlage, Verwertung und Mitteilung ihres Inhalts nicht gestattet, soweit nicht schriftlich zugestanden. Verstößt verpflichtet zum Schadensersatz und kann strafrechtliche Folgen haben (Paragraf 18 UWG, Paragraf 106 UrhG). Eigentum und alle Rechte, auch für Patenterteilung und Gebrauchsmustereintragung, vorbehalten. SPX FLOW, Germany



Antrieb- Fläche Actuator area	Membrantrieb federschließend MFS diaphragm actuator NC MFS		Membrantrieb federhebend MFH diaphragm actuator NO MFH		Einbaumaße installing dimension			
	Stelldruck Air pressure	WS-Nr. ref.-no.	Stelldruck Air pressure	WS-Nr. ref.-no.	A	B	$\varnothing D$	Hub
	120cm <sup>2</sup>	1,4-2,3 bar	16-31-741/93 H172472	0,2-1,0 bar	16-31-742/93 H172473	73	69	168
240cm <sup>2</sup>	1,3-2,5 bar	16-31-727/93 H39725	0,2-1,0 bar	16-31-735/93 H39733	75	62	240	15
350cm <sup>2</sup>	1,4-2,3 bar	16-31-728/93 H39726	0,2-1,0 bar	16-31-732/93 H39730	75	82	280	15
	2,1-3,3 bar	16-31-738/93 H39736						
700cm <sup>2</sup>	1,4-2,3 bar	16-31-730/93 H39728	0,2-1,0 bar	16-31-767/93 H126157	90	134	390	30

Zu verwenden mit: / to be used with:

Stellungsregler / positioner

- IP 763 • 29-03-013/93 H66919 (elektro-pneum. / electro-pneum.) oder / or

- P 765 • 29-03-004/93 H66913 (pneumatisch / pneumatic)

und / and

Mitnehmerplatte komplett / drive plate complete

08-44-001/15 H162486

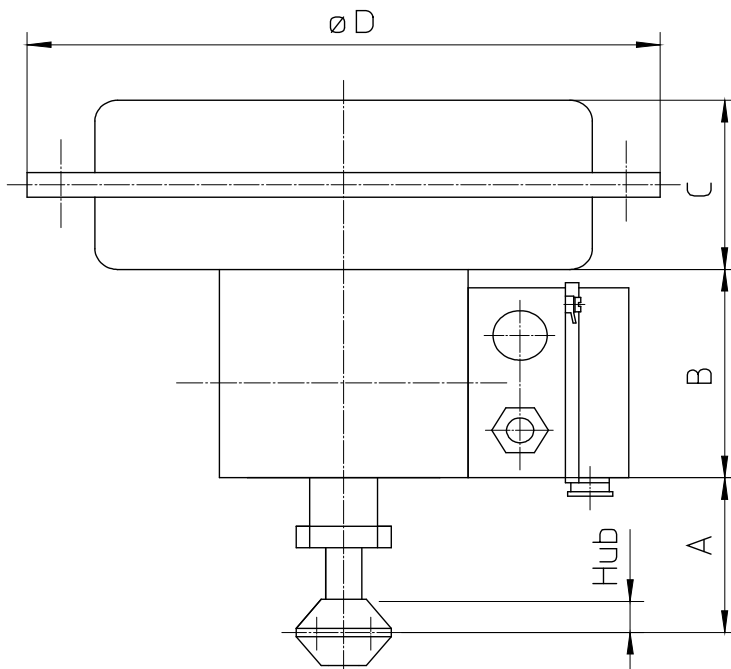
Weitergabe sowie Vervielfältigung dieser Unterlage, Verwertung und Mitteilung ihres Inhalts nicht gestattet, soweit nicht schriftlich zugestanden. Verstößt verpflichtet zum Schadensersatz und kann strafrechtliche Folgen haben (Paragraf 18 UWG, Paragraph 106 UrhG). Eigentum und alle Rechte, auch für Patenterteilung und Gebrauchsmustereintragung, vorbehalten. SPX FLOW, Germany.

Datum:	21.05.14	24.07.15	02.03.16						
Name:	Trytko	Trytko	Trytko						
Geprüft:	Knöchel	Knöchel	Knöchel						



Ersatzteilliste: spare parts list	
<b>RG4-Pneumat. Stellantrieb MAT 271 MFS-federschließend und MFH-federhebend</b>	
<b>RG4-Pneum. actuator MAT 271 spring closed and open</b>	

SPX FLOW Germany	
Blatt	1 von 1
<b>RN 01.170.13-3</b>	



Einbaumaße					
Fläche	A	B	C	øD	Hub
120 cm <sup>2</sup>	75	88	70	168	15
240 cm <sup>2</sup>	75	101	65	240	15
350 cm <sup>2</sup>	75	101	85	280	15
700 cm <sup>2</sup>	90	101	135	390	30

### MFS-Membranantrieb federschießend / diaphragm actuator NC

Antrieb-Fläche	Stelldruck		IP 3730-2	IP 3730-3	IP 3730-4
Actuator area	Air pressure		mit LCD Anzeige zusätzlich 2 Manometer with LCD indication additional 2 pressure gauges	mit LCD Anzeige zusätzlich 2 induct. Grenzkontakte with LCD indication additional 2 induct. limit contacts	analoge Stellungs- rückmeldung analog position feedback
120 cm <sup>2</sup>	1,4-2,3 bar		16-31-970/17 H316977	16-31-981/17 H321450	16-31-990/17 H327097
240 cm <sup>2</sup>	1,3-2,5 bar		16-31-971/17 H323687	16-31-982/17 H321451	16-31-991/17 H328425
350 cm <sup>2</sup>	1,4-2,3 bar		16-31-972/17 H320575	16-31-983/17 H321452	16-31-467/17 H328372
	2,1-3,3 bar		16-31-973/17 H316978	16-31-984/17 H321453	
700 cm <sup>2</sup>	1,4-2,3 bar		16-31-974/17	16-31-985/17	

### MFH-Membranantrieb federhebend / diaphragm actuator NO

Antrieb-Fläche	Stelldruck		IP 3730-2	IP 3730-3	IP 3730-4
Actuator area	Air pressure		mit LCD Anzeige zusätzlich 2 Manometer with LCD indication additional 2 pressure gauges	mit LCD Anzeige zusätzlich 2 induct. Grenzkontakte with LCD indication additional 2 induct. limit contacts	analoge Stellungs- rückmeldung analog position feedback
120 cm <sup>2</sup>	0,2-1,0 bar		16-31-976/17		
240 cm <sup>2</sup>	0,2-1,0 bar		16-31-977/17		
350 cm <sup>2</sup>	0,2-1,0 bar		16-31-978/17 H320295		
700 cm <sup>2</sup>	0,2-1,0 bar		16-31-979/17		

Datum:	13.03.15	24.07.15								
Name:	Trytko	Trytko								
Geprüft:	Knöchel	Knöchel								
Ersatzteilliste: spare parts list										
<b>RG4-Pneumat. Stellantrieb MAT 3277 MFS-federschießend und MFH-federhebend</b> <b>mit digitalem elektro-pneumatischem Stellungsregler IP3730</b> <b>RG4-Pneum. actuator MAT 3277 spring closed and open with digital el.-pneum. positioner</b> <b>IP 3730</b>										



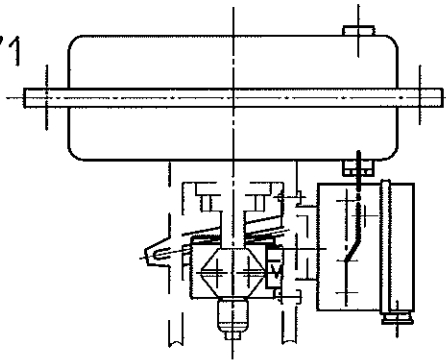
SPX FLOW  
Germany

Blatt 1 von 1

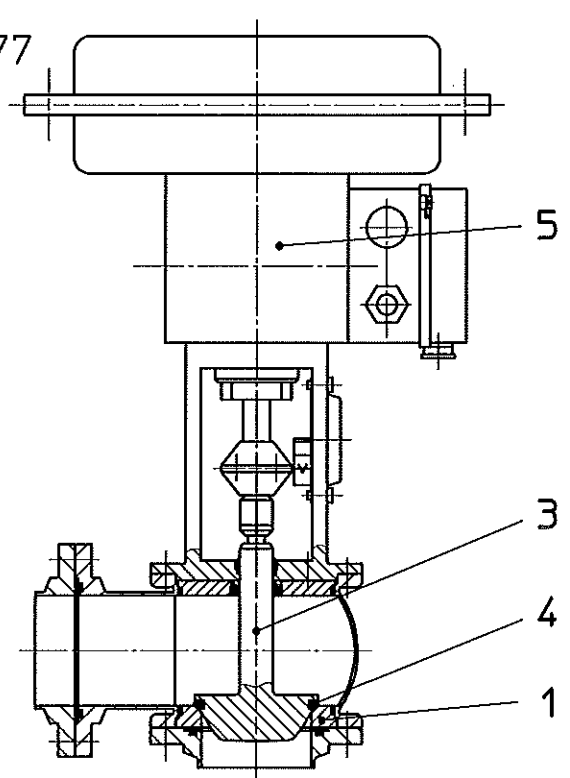
**RN01.170.13-4**

Weitergabe sowie Vervielfältigung dieser Unterlage, Verwertung und Mitteilung  
 ihres Inhalts nicht gestattet, soweit nicht schriftlich zugestanden. Verstoß  
 verpflichtet zum Schadensersatz und kann strafrechtliche Folgen haben  
 (Paragraf 18 UWG, Paragraf 106 UrhG). Eigentum und alle Rechte, auch  
 für Patenterteilung und Gebrauchsmustereintragung, vorbehalten. SPX FLOW, Germany.

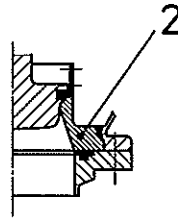
MAT 271



MAT 3277



\* Dichtungswerkstoff: seal material:  
 .../13 VMQ  
 .../33 HNBR  
 .../73 FPM  
 .../93 EPDM



DN	Kvs Wert (m <sup>3</sup> /h)	1. Ventilsitz WS-Nr. Id.-Nr.		2. Ventilsitz m. Lochkäfig WS-Nr. Id.-Nr.		3. Ventilschaft WS-Nr./ Id.-Nr.		4. Dichtung * WS-Nr. Id.-Nr.	5. Membranantrieb MFS oder MFH	
		lineare Kennlinie	gleichproz. Kennlinie	lineare charact.	equal charact.	3277	271			
	kvs value (m <sup>3</sup> /h)	valve seat ref. No. id. No.	valve seat with punched cage ref. No. id. No.	valve shaft ref. No./ id. No.	valve shaft ref. No./ id. No.	seal * ref. No. id. No.	diaphragm actuator MFS or MFH (NC) (NO)	3277	271	
25, 1"	0,25	RG4-25/ø4 15-36-150/42 160650		RG41-25/0,25L 15-25-039/42 160658	RG41-25/0,25G 15-25-019/42 160657	ohne without	120 cm <sup>2</sup>	120 cm <sup>2</sup>		
	0,4	RG4-25/ø4 15-36-150/42 160650		RG41-25/0,4L 15-25-040/42 160666	RG41-25/0,4G 15-25-020/42 159245	ohne without	120 cm <sup>2</sup>	120 cm <sup>2</sup>		
	0,63	RG4-25/ø8 15-36-027/42 126717		RG41-25/0,63L 15-25-041/42 160668	RG41-25/0,63G 15-25-021/42 159244	ohne without	120 cm <sup>2</sup>	120 cm <sup>2</sup>		
	0,63	RG4-25/ø8D 15-36-155/42 179615	RG4-25/ø8LK 15-36-116/47 179830	RG41-25/0,63LD 15-25-155/42 179617		RG4-25 /13 H77443 /33 H172173 58-33-294 /73 H77444 /93 H77445	120 cm <sup>2</sup>	120 cm <sup>2</sup>		
	1,0	RG4-25/ø8 15-36-027/42 126717		RG41-25/1,0L 15-25-042/42 160669	RG41-25/1,0G 15-25-022/42 159243	ohne without	120 cm <sup>2</sup>	120 cm <sup>2</sup>		

Datum:	23.11.95	1/97	4/99	10.4.00	28.09.07	27.02.08	09.01.13			
Name:	Trylko	Trylko	Evering	Trylko	A.Schulz	Trylko	Trylko			
geprüft:	Knö/Pl	Knö/Pl	Knö/Pl	Knöchel	Knöchel	Knöchel	Knöchel			



Benennung  
 RG41 Zusammenstellung der auszutauschenden Teile bei Änderung des Kvs-Wertes (lineare und gleichproz. Kennlinie)  
 RG41 List of parts to be replaced in case of change of kvs-value (linear and equal-percentage characteristics)

SPX Flow Technology Rosista GmbH  
 Zechenstraße 49, D-59425 Urmig, Germany  
 Blatt 1 von 5  
 RN 261.558

Weitergabe sowie Vervielfältigung dieser Unterlage, Verwertung und Mitteilung ihres Inhalts ist gestattet, soweit nicht schriftlich zugestanden. Verstoß verfährt zum Schadensersatz und kann strafrechtliche Folgen haben (Paragraf 18 UWG, Paragraf 108 UrhG, Eigentum und alle Rechte vorbehalten für Patentierung und Gebrauchsmusteranmeldung, vorbehaltlich SPX Flow Technology Rosista GmbH. Diese Zeichnung wurde mit CAD erstellt und darf nicht von Hand gezeichnet werden.

Weitergabe sowie Vervielfältigung dieser Unterlage, Verwertung und Mitteilung ihres Inhalts ist gestattet, soweit nicht schriftlich zugestanden. Versiößt verpflichtet zum Schadensersatz und kann strafrechtliche Folgen haben (Paragraf 18 UWG, Paragraf 106 UrhG). Eigentum und alle Rechte, auch für Patenterteilung und Gebrauchsmustertragung, vorbehalten. SPX Flow Technology Rosista GmbH. Diese Zeichnung wurde mit CAD erstellt und darf nicht von Hand geändert werden.


DN	Kvs Wert (m <sup>3</sup> /h)	1. Ventilsitz WS-Nr. Id.-Nr.	2. Ventilsitz m. Lochkäfig WS-Nr. Id.-Nr.	3. Ventilschaft WS-Nr./ Id.-Nr.		4. Dichtung * WS-Nr. Id.-Nr.		5. Membranantrieb MFS oder MFH			
	kvs value (m <sup>3</sup> /h)	valve seat ref. No. id. No.	valve seat with punched cage ref. No. id. No.	lineare Kennlinie	gleichproz. Kennlinie	seal * ref. No. id. No.		3277	271		
				linear charact.	equal charact.			diaphragm MFS or (NC)	actuator MFH (NO)		
25, 1"	1,0 DI	RG4-25/ø8D 15-36-155/42 179615	RG4-25/ø8LK 15-36-116/47 179830	RG41-25/1,0LD 15-25-156/42 179618	RG41-25/1,0GD 15-25-154/42 208609	RG4-25 /13 H77443 /33 H172173 58-33-294 /73 H77444 /93 H77445		120 cm <sup>2</sup>	120 cm <sup>2</sup>		
	1,6	RG4-25/ø8 15-36-027/42 126717		RG41-25/1,6L 15-25-043/42 159401	RG41-25/1,6G 15-25-023/42 159140	ohne without		120 cm <sup>2</sup>	120 cm <sup>2</sup>		
	1,6 DI	RG4-25/ø8D 15-36-155/42 179615	RG4-25/ø8LK 15-36-116/47 179830	RG41-25/1,6LD 15-25-157/42 179620	RG41-25/1,6GD 15-25-142/42 311745	RG4-25 /13 H77443 /33 H172173 58-33-294 /73 H77444 /93 H77445		120 cm <sup>2</sup>	120 cm <sup>2</sup>		
	2,5	RG4-25/ø13D 15-36-028/42 126716	RG4-25/ø13LK 15-36-035/47 146941	RG41-25/2,5LD 15-25-044/42 159476	RG41-25/2,5GD 15-25-024/42 159141	RG4-25 /13 H77443 /33 H172173 58-33-294 /73 H77444 /93 H77445		120 cm <sup>2</sup>	120 cm <sup>2</sup>		
	4,0	RG4-25/ø13D 15-36-028/42 126716	RG4-25/ø13LK 15-36-035/47 146941	RG41-25/4,0LD 15-25-045/42 159477	RG41-25/4,0GD 15-25-025/42 159142	RG4-25 /13 H77443 /33 H172173 58-33-294 /73 H77444 /93 H77445		120 cm <sup>2</sup>	120 cm <sup>2</sup>		
	6,3	RG4-25/ø26D 15-36-054/42 33476	RG4-25/ø26LK 15-36-008/47 146768	RG41-25/6,3LD 15-25-046/42 159478	RG41-25/6,3GD 15-25-026/42 159143	RG4-25 /13 H77443 /33 H172173 58-33-294 /73 H77444 /93 H77445		120 cm <sup>2</sup>	120 cm <sup>2</sup>		
	10	RG4-25/ø26D 15-36-054/42 33476	RG4-25/ø26LK 15-36-008/47 146768	RG41-25/10LD 15-25-047/42 159479	RG41-25/10GD 15-25-027/42 159144	RG4-25 /13 H77443 /33 H172173 58-33-294 /73 H77444 /93 H77445		120 cm <sup>2</sup>	120 cm <sup>2</sup>		
40, 1,5"	2,5	RG4-40/ø13D 15-36-029/42 126762	RG4-40/ø13LK 15-36-038/47 144862	RG41-25/2,5LD 15-25-044/42 159476	RG41-25/2,5GD 15-25-024/42 159141	RG4-25 /13 H77443 /33 H172173 58-33-294 /73 H77444 /93 H77445		120 cm <sup>2</sup>	120 cm <sup>2</sup>		
	4,0	RG4-40/ø13D 15-36-029/42 126762	RG4-40/ø13LK 15-36-038/47 144862	RG41-25/4,0LD 15-25-045/42 159477	RG41-25/4,0GD 15-25-025/42 159142	RG4-25 /13 H77443 /33 H172173 58-33-294 /73 H77444 /93 H77445		120 cm <sup>2</sup>	120 cm <sup>2</sup>		
	6,3	RG4-40/ø26D 15-36-058/42 33479	RG4-40/ø26LK 15-36-387/47 141520	RG41-25/6,3LD 15-25-046/42 159478	RG41-25/6,3GD 15-25-026/42 159143	RG4-25 /13 H77443 /33 H172173 58-33-294 /73 H77444 /93 H77445		120 cm <sup>2</sup>	120 cm <sup>2</sup>		
	10	RG4-40/ø26D 15-36-058/42 33479	RG4-40/ø26LK 15-36-387/47 141520	RG41-25/10LD 15-25-047/42 159479	RG41-25/10GD 15-25-027/42 159144	RG4-25 /13 H77443 /33 H172173 58-33-294 /73 H77444 /93 H77445		120 cm <sup>2</sup>	120 cm <sup>2</sup>		
Datum:		23.11.95	1/97	4/99	7.12.99	10.4.00	28.09.07	27.02.08	09.01.13		
Name:		Trylko	Trylko	Evering	Evering	Trylko	A.Schutz	Trylko	Trylko		
geprüft:		Knö/Pl	Knö/Pl	Knö/Pl	Knö/Pl	Knöchel	Knöchel	Knöchel	Knöchel		
		Benennung RG41 Zusammenstellung der auszutauschenden Teile bei Änderung des Kvs-Wertes (lineare und gleichproz. Kennlinie) RG41 List of parts to be replaced in case of change of kvs-value (linear and equal-percentage characteristics)							SPX Flow Technology Rosista GmbH Zeichenstraße 49, D-59425 Unna, Germany Blatt 2 von 5		
									RN 261.558		

04/12



DN	Kvs Wert (m <sup>3</sup> /h)	1. Ventilsitz WS-Nr. Id.-Nr.	2. Ventilsitz m. Lochkäfig WS-Nr. Id.-Nr.	3. Ventilschaft WS-Nr./ Id.-Nr.		4. Dichtung * WS-Nr. Id.-Nr.		5. Membranantrieb MFS oder MFH	
				lineare Kennlinie	gleichproz. Kennlinie	seal * ref. No. id. No.	diaphragm actuator MFS or MFH (NC) (NO)	3277	271
	kvs value (m <sup>3</sup> /h)	valve seat ref. No. id. No.	valve seat with punched cage ref. No. id. No.	valve shaft ref. No./ id. No.		seal * ref. No. id. No.		diaphragm actuator MFS or MFH (NC) (NO)	
				linear charact.	equal charact.			3277	271
40, 15"	16	RG4-40/ø38D 15-36-060/42 33480	RG4-40/ø38LK 15-36-015/47 148260	RG41-40/16LD 15-25-048/42 159480	RG41-40/16GD 15-25-028/42 159145	RG4-40 /13 /33 58-33-394/73 /93	H77468 H172175 H77469 H77470	120 cm <sup>2</sup> 240 cm <sup>2</sup> 350 cm <sup>2</sup>	120 cm <sup>2</sup> 240 cm <sup>2</sup> 350 cm <sup>2</sup>
	25	RG4-40/ø38D 15-36-060/42 33480	RG4-40/ø38LK 15-36-015/47 148260	RG41-40/25LD 15-25-049/42 159481	RG41-40/25GD 15-25-029/42 159146	RG4-40 /13 /33 58-33-394/73 /93	H77468 H172175 H77469 H77470	120 cm <sup>2</sup> 240 cm <sup>2</sup> 350 cm <sup>2</sup>	120 cm <sup>2</sup> 240 cm <sup>2</sup> 350 cm <sup>2</sup>
50, 2"	6,3	RG4-50/ø26D 15-36-062/42 33481	RG4-50/ø26LK 15-36-034/47 149114	RG41-25/6,3LD 15-25-046/42 159478	RG41-25/6,3GD 15-25-026/42 159143	RG4-25 /13 /33 58-33-294/73 /93	H77443 H172173 H77444 H77445	120 cm <sup>2</sup> 240 cm <sup>2</sup>	120 cm <sup>2</sup> 240 cm <sup>2</sup>
	10	RG4-50/ø26D 15-36-062/42 33481	RG4-50/ø26LK 15-36-034/47 149114	RG41-25/10LD 15-25-047/42 159479	RG41-25/10GD 15-25-027/42 159144	RG4-25 /13 /33 58-33-294/73 /93	H77443 H172173 H77444 H77445	120 cm <sup>2</sup> 240 cm <sup>2</sup>	120 cm <sup>2</sup> 240 cm <sup>2</sup>
	16	RG4-50/ø38D 15-36-064/42 33482	RG4-50/ø38LK 15-36-437/47 141521	RG41-40/16LD 15-25-048/42 159480	RG41-40/16GD 15-25-028/42 159145	RG4-40 /13 /33 58-33-394/73 /93	H77468 H172175 H77469 H77470	120 cm <sup>2</sup> 240 cm <sup>2</sup> 350 cm <sup>2</sup>	120 cm <sup>2</sup> 240 cm <sup>2</sup> 350 cm <sup>2</sup>
	25	RG4-50/ø38D 15-36-064/42 33482	RG4-50/ø38LK 15-36-437/47 141521	RG41-40/25LD 15-25-049/42 159481	RG41-40/25GD 15-25-029/42 159146	RG4-40 /13 /33 58-33-394/73 /93	H77468 H172175 H77469 H77470	120 cm <sup>2</sup> 240 cm <sup>2</sup> 350 cm <sup>2</sup>	120 cm <sup>2</sup> 240 cm <sup>2</sup> 350 cm <sup>2</sup>
	40	RG4-50/ø50D 15-36-066/42 33483	RG4-50/ø50LK 15-36-011/47 144859	RG41-50/40LD 15-25-050/42 159482	RG41-50/40GD 15-25-030/42 159147	RG4-50 /13 /33 58-33-444/73 /93	H77492 H165709 H77493 H77494	240 cm <sup>2</sup> 350 cm <sup>2</sup>	240 cm <sup>2</sup> 350 cm <sup>2</sup>
65, 2.5"	16	RG4-65/ø38D 15-36-068/42 33484	RG4-65/ø38LK 15-36-012/47 141524	RG41-40/16LD 15-25-048/42 159480	RG41-40/16GD 15-25-028/42 159145	RG4-40 /13 /33 58-33-394/73 /93	H77468 H172175 H77469 H77470	240 cm <sup>2</sup> 350 cm <sup>2</sup>	240 cm <sup>2</sup> 350 cm <sup>2</sup>
	25	RG4-65/ø38D 15-36-068/42 33484	RG4-65/ø38LK 15-36-012/47 141524	RG41-40/25LD 15-25-049/42 159481	RG41-40/25GD 15-25-029/42 159146	RG4-40 /13 /33 58-33-394/73 /93	H77468 H172175 H77469 H77470	240 cm <sup>2</sup> 350 cm <sup>2</sup>	240 cm <sup>2</sup> 350 cm <sup>2</sup>
	40	RG4-65/ø50D 15-36-070/42 33485	RG4-65/ø50LK 15-36-487/47 141522	RG41-50/40LD 15-25-050/42 159482	RG41-50/40GD 15-25-030/42 159147	RG4-50 /13 /33 58-33-444/73 /93	H77492 H165709 H77493 H77494	240 cm <sup>2</sup> 350 cm <sup>2</sup>	240 cm <sup>2</sup> 350 cm <sup>2</sup>
65	63	RG4-65/ø66D 15-36-072/42 33486	RG4-65/ø66LK 15-36-016/47 148263	RG41-65/63LD 15-25-051/42 159483	RG41-65/63GD 15-25-031/42 159148	RG4-65 /13 /33 58-33-494/73 /93	H77516 H172178 H77517 H77518	240 cm <sup>2</sup> 350 cm <sup>2</sup>	240 cm <sup>2</sup> 350 cm <sup>2</sup>

Weitergabe sowie Vervielfältigung dieser Unterlage, Verwertung und Mitteilung ihres Inhalts ist gestattet, soweit nicht schriftlich zugestanden. Versität verpflichtet zum Schadensersatz und kann strafrechtliche Folgen haben (Paragraf 18 UWG, Paragraf 106 UrhG, Eigentum und alle Rechte, auch für Patenterteilung und Gebrauchsmustererteilung, vorbehalten). SPX Flow Technology Rosista GmbH. Diese Zeichnung wurde mit CAD erstellt und darf nicht von Hand geändert werden.


Datum:	23.11.95	1/97	4/99	7.12.99	10.4.00	28.09.07	27.02.08	09.01.13		
Name:	Trylko	Trylko	Evering	Evering	Trylko	A.Schulz	Trylko	Trylko		
geprüft:	Knö/Pl	Knö/Pl	Knö/Pl	Knö/Pl	Knöchel	Knöchel	Knöchel	Knöchel		
 Benennung RG41 Zusammenstellung der auszutauschenden Teile bei Änderung des Kvs-Wertes (lineare und gleichproz. Kennlinie) RG41 List of parts to be replaced in case of change of kvs-value (linear and equal-percentage characteristics)									SPX Flow Technology Rosista GmbH Zechensstraße 49, D-59425 Unger, Germany Blatt 3 von 5	
									RN 261.558	

Weitergabe sowie Vervielfältigung dieser Unterlage, Verwertung und Mitteilung ihres  
 Inhalts, nicht gestattet, soweit nicht schriftlich zugestanden. Versoß verpflichtet  
 zum Schadensersatz und kann strafrechtliche Folgen haben (Paragrafen 18 UWG,  
 Paragraf 106 UrhG). Eigentum und alle Rechte, auch für Patentierung,  
 und Gebrauchsmusteranmeldung, vorbehalten. SPX Flow Technology Rosista GmbH.  
 Diese Zeichnung wurde mit CAD erstellt und darf nicht von Hand gezeichnet werden.

DN	Kvs Wert (m <sup>3</sup> /h)	1. Ventilsitz WS-Nr. Id.-Nr.		2. Ventilsitz m. Lochkäfig WS-Nr. Id.-Nr.		3. Ventilschaft WS-Nr./ Id.-Nr.		4. Dichtung * WS-Nr. Id.-Nr.		5. Membranantrieb MFS oder MFH	
		kvs value (m <sup>3</sup> /h)	valve seat ref. No. id. No.	valve seat with punched cage ref. No. id. No.	valve shaft ref. No./ id. No.	linear charact.	equal charact.	seal * ref. No. id. No.	diaphragm MFS or (NC) 3277	actuator MFH (NO) 271	
2,5"	63	RG4-65/ø66D	RG4-65/ø66D	RG41-2,5*/63LD	RG41-2,5*/63GD	RG4-65 /13 H77516	H77517 H77518	/33 H172178	58-33-494 /73 H77517 /93 H77518	240 cm <sup>2</sup>	240 cm <sup>2</sup>
		15-36-072/42	15-36-016/47	15-25-587/42	15-25-588/42	350 cm <sup>2</sup>				350 cm <sup>2</sup>	
		33486	148263	321259	321260						
3"	40	RG4-3T/ø50D	RG4-3T/ø50LK	RG41-50/40LD	RG41-50/40GD	RG4-50 /13 77492	77493	77493	58-33-444/73 77493 /93 77494	240 cm <sup>2</sup>	240 cm <sup>2</sup>
		15-36-138/42	15-36-021/47	15-25-050/42	15-25-030/42	350 cm <sup>2</sup>				350 cm <sup>2</sup>	
		33511	149597	159482	159147						
3"	63	RG4-3T/ø66D	RG4-3T/ø66LK	RG41-65/63LD	RG41-65/63GD	RG4-65 /13 77516	77517	77518	58-33-494/73 77517 /93 77518	240 cm <sup>2</sup>	240 cm <sup>2</sup>
		15-36-139/42	15-36-022/47	15-25-051/42	15-25-031/42	350 cm <sup>2</sup>				350 cm <sup>2</sup>	
		147062	149599	159483	159148						
3"	80	RG4-3T/ø3TD	RG3-3T/ø3TLK	RG41-3T/80LD	RG41-3T/80GD	RG4-3T /13 77562	77563	77564	58-33-569/73 77563 /93 77564	240 cm <sup>2</sup>	240 cm <sup>2</sup>
		15-36-140/42	15-36-115/47	15-25-054/42	15-25-034/42	350 cm <sup>2</sup>				350 cm <sup>2</sup>	
		33512	160041	159763	159762						
80	16	RG4-80/ø38D	RG4-80/ø38LK	RG41-40/16LD	RG41-40/16GD	RG4-40 /13 77468	77469	77470	58-33-394/73 77469 /93 77470	240 cm <sup>2</sup>	240 cm <sup>2</sup>
		15-36-073/42	15-36-153/47	15-25-048/42	15-25-028/42	350 cm <sup>2</sup>				350 cm <sup>2</sup>	
	25	RG4-80/ø38D	RG4-80/ø38LK	RG41-40/25LD	RG41-40/25GD	RG4-40 /13 77468	77469	77470	58-33-394/73 77469 /93 77470	240 cm <sup>2</sup>	240 cm <sup>2</sup>
		15-36-073/42	15-36-153/47	15-25-049/42	15-25-029/42	350 cm <sup>2</sup>				350 cm <sup>2</sup>	
	40	RG4-80/ø50D	RG4-80/ø50LK	RG41-50/40LD	RG41-50/40GD	RG4-50 /13 77492	77493	77494	58-33-444/73 77493 /93 77494	240 cm <sup>2</sup>	240 cm <sup>2</sup>
15-36-074/42		15-36-037/47	15-25-050/42	15-25-030/42	350 cm <sup>2</sup>	350 cm <sup>2</sup>					
63	RG4-80/ø66D	RG4-80/ø66LK	RG41-65/63LD	RG41-65/63GD	RG4-65 /13 77516	77517	77518	58-33-494/73 77517 /93 77518	240 cm <sup>2</sup>	240 cm <sup>2</sup>	
	15-36-076/42	15-36-537/47	15-25-051/42	15-25-031/42	350 cm <sup>2</sup>				350 cm <sup>2</sup>		
100	RG4-80/ø81D	RG4-80/ø81LK	RG41-80/100LD	RG41-80/100GD	RG4-80 /13 77547	77548	77549	58-33-544/73 77548 /93 77549	240 cm <sup>2</sup>	240 cm <sup>2</sup>	
	15-36-078/42	15-36-017/47	15-25-052/42	15-25-032/42	350 cm <sup>2</sup>				350 cm <sup>2</sup>		
100, 4"	63	RG4-100/ø66D	RG4-100/ø66LK	RG41-65/63LD	RG41-65/63GD	RG4-65 /13 77516	77517	77518	58-33-494/73 77517 /93 77518	240 cm <sup>2</sup>	240 cm <sup>2</sup>
		15-36-079/42	15-36-020/47	15-25-051/42	15-25-031/42	350 cm <sup>2</sup>				350 cm <sup>2</sup>	
100	100	RG4-100/ø81D	RG4-100/ø81LK	RG41-80/100LD	RG41-80/100GD	RG4-80 /13 77547	77548	77549	58-33-544/73 77548 /93 77549	240 cm <sup>2</sup>	240 cm <sup>2</sup>
		15-36-042/42	15-36-637/47	15-25-052/42	15-25-032/42	350 cm <sup>2</sup>				350 cm <sup>2</sup>	
Datum:		23.11.95	1/97	7.12.99	10.4.00	27.02.08	09.01.13				
Name:		Trylko	Trylko	Evering	Trylko	Trylko	Trylko				
geprüft:		Knö/Pl	Knö/Pl	Knö/Pl	Knöchel	Knöchel	Knöchel				
<b>APV</b>		Benennung RG41 Zusammenstellung der auszutauschenden Teile bei Änderung des Kvs-Wertes (lineare und gleichproz. Kennlinie) RG41 List of parts to be replaced in case of change of kvs-value (linear and equal-percentage characteristics)								SPX Flow Technology Rosista GmbH Zechenstraße 49, D-59125 Ungo, Germany	
										Blatt 4 von 5	
										RN 261.558	

DN	Kvs Wert (m <sup>3</sup> /h)	1. Ventilsitz WS-Nr. Id.-Nr.		2. Ventilsitz m. Lochkäfig WS-Nr. Id.-Nr.		3. Ventilschaft WS-Nr./ Id.-Nr.		4. Dichtung * WS-Nr. Id.-Nr.	5. Membranantrieb MFS oder MFH	
		kvs value (m <sup>3</sup> /h)	valve seat ref. No. id. No.	valve seat with punched cage ref. No. id. No.	lineare Kennlinie	gleichproz. Kennlinie	valve shaft ref. No./ id. No.		seal * ref. No. id. No.	diaphragm MFS or MFH (NC)
100,4"	160 Hub 15mm	RG3-100/ø100D 15-36-043/42 125798	RG3-100/ø100LK 15-36-033/47 152311	RG41-100/160LD 15-25-055/42 167867	RG41-100/160GD 15-25-035/42 175422	RG4-100 /13 H77587 58-33-644 /33 H171183 /73 H77588 /93 H77589		350 cm <sup>2</sup>	350 cm <sup>2</sup>	
	160 Hub 30mm	RG4-100/ø100D 15-36-043/42 125798	RG4-100/ø100LK 15-36-033/47 152311	RG41-100/160LD 15-25-055/42 167867	RG41-100/160GD 15-25-033/42 159151	RG4-100 /13 H77587 58-33-644 /33 H171183 /73 H77588 /93 H77589		700 cm <sup>2</sup>	700 cm <sup>2</sup>	
125	63 Hub 15mm	RG4-125/ø66D 15-36-109/42 160629		RG41-65/63LD 15-25-051/42 159483	RG41-65/63GD 15-25-031/42 159148	RG4-65 /13 H77516 58-33-494 /33 H172178 /73 H77517 /93 H77518		350 cm <sup>2</sup>	350 cm <sup>2</sup>	
	100 Hub 15mm	RG4-125/ø81D 15-36-110/42 159973	RG4-125/ø81LK 15-36-327/47 H318045	RG41-80/100LD 15-25-052/42 159309	RG41-80/100GD 15-25-032/42 159149	RG4-80 /13 H77547 58-33-544 /33 H172180 /73 H77548 /93 H77549		350 cm <sup>2</sup>	350 cm <sup>2</sup>	
	160 Hub 15mm	RG4-125/ø100D 15-36-111/42 159974	RG4-125/ø100LK 15-36-118/47 H204286	RG41-100/160LD 15-25-055/42 167867	RG41-100/160GD 15-25-035/42 175422	RG4-100 /13 H77587 58-33-644 /33 H171183 /73 H77588 /93 H77589		350 cm <sup>2</sup>	350 cm <sup>2</sup>	
	160 Hub 30mm	RG4-125/ø100D 15-36-111/42 159974	RG4-125/ø100LK 15-36-118/47 H204286	RG41-100/160LD 15-25-053/42 159484	RG41-100/160GD 15-25-033/42 159151	RG4-100 /13 H77587 58-33-644 /33 H171183 /73 H77588 /93 H77589		700 cm <sup>2</sup>	700 cm <sup>2</sup>	
	250 Hub 30mm	RG4-125/ø250D 15-36-031/42 202130	RG4-125/ø250LK 15-36-328/47 H318046	RG41-125/250LD 15-25-128/42 202134	RG41-125/250GD 15-25-129/42 H205833	DS-125 /13 H77612 58-33-695 /33 H172189 /73 H77613 /93 H77614		700 cm <sup>2</sup>	700 cm <sup>2</sup>	
150	160 Hub 30mm	RG4-125/ø100D 15-36-059/42 H320358		RG41-100/160LD 15-25-053/42 H159484	RG41-100/160GD 15-25-033/42 H159151	RG4-100 /13 H77587 58-33-644 /33 H171183 /73 H77588 /93 H77589		700 cm <sup>2</sup>	700 cm <sup>2</sup>	
	250 Hub 30mm	RG4-125/ø125D 15-36-044/42 H205812	RG4-150/ø125LK 15-36-048/42 H205815	RG41-125/250LD 15-25-128/42 H202134	RG41-125/250GD 15-25-129/42 H205833	DS-125 /13 H77612 58-33-695 /33 H172189 /73 H77613 /93 H77614		700 cm <sup>2</sup>	700 cm <sup>2</sup>	
	400 Hub 30mm	RG4-125/ø150D 15-36-045/42 H205814				DS-150 /13 H77629 58-33-745 /33 H172190 /73 H77630 /93 H77631		700 cm <sup>2</sup>	700 cm <sup>2</sup>	

Weitergabe sowie Vervielfältigung dieser Unterlage, Verwertung und Mitteilung ihres Inhalts nicht gestattet, soweit nicht schriftlich zugestanden. Verstößt verpflichtet zum Schadensersatz und kann strafrechtliche Folgen haben (Paragraf 18 UWG, Paragraf 106 UrhG). Eigentum und alle Rechte, auch für Patenterteilung und Gebrauchsmusterantragung, vorbehalten. SPX Flow Technology Rosista GmbH. Diese Zeichnung wurde mit CAD erstellt und darf nicht von Hand geändert werden.

Datum:	30.1.97	10.4.00	28.09.07	27.02.08	09.01.13					
Name:	Trylko	Trylko	A.Schulz	Trylko	Trylko					
geprüft:	Knö/PI	Knöchel	Knöchel	Knöchel	Knöchel					
 Benennung RG41 Zusammenstellung der auszutauschenden Teile bei Änderung des Kvs-Wertes (lineare und gleichproz. Kennlinie) RG41 List of parts to be replaced in case of change of kvs-value (linear and equal-percentage characteristics)									SPX Flow Technology Rosista GmbH Zechenstraße 49, D-59125 Uring, Germany Blatt 5 von 5 RN 261.558	

# APV DELTA RG4

MODULATING VALVE

# SPXFLOW

## SPX FLOW

### Design Center

Gottlieb-Daimler-Straße 13  
D-59439 Holzwickede, Germany  
P: (+49) (0) 2301-9186-0  
F: (+49) (0) 2301-9186-300

## SPX FLOW

### Production

Stefana Rolbieskiego 2  
PL- Bydgoszcz 85-862, Poland  
P: (+48) 52 566 76 00  
F: (+48) 52 525 99 09

SPX FLOW reserves the right to incorporate the latest design and material changes without notice or obligation.

Design features, materials of construction and dimensional data, as described in this manual, are provided for your information only and should not be relied upon unless confirmed in writing. Please contact your local sales representative for product availability in your region. For more information visit [www.spxflow.com](http://www.spxflow.com).

ISSUED 09/2017 - Translation of original manual

COPYRIGHT ©2017 SPX FLOW, Inc.