

SPEC SHEET

VELOCITY SERIES PLASTIC PUMP

6 mm (1/4") Pump
Maximum Flow Rate:
21.6 lpm (5.7 gpm)

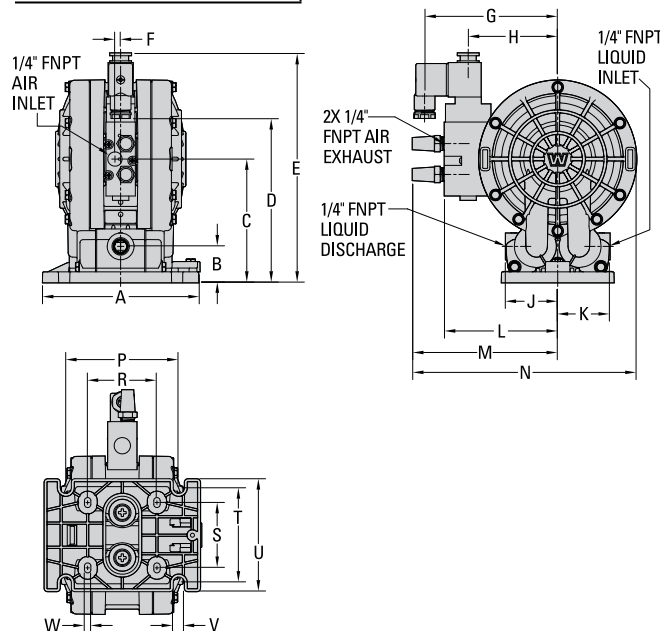
DIMENSIONAL DRAWINGS

PUMP DATA

Specifications:

Ship Weight..... 2 kg (4 lb)
 Air Inlet 6 mm (1/4")
 Liquid Inlet..... 6 mm (1/4")
 Liquid Outlet..... 6 mm (1/4")

A2550V Plastic



DIMENSIONS

| ITEM | METRIC (mm) | STANDARD (inch) |
|------|-------------|-----------------|
| A | 138 | 5.4 |
| B | 32 | 1.3 |
| C | 108 | 4.3 |
| D | 143 | 5.6 |
| E | 201 | 7.9 |
| F | 5 | 0.2 |
| G | 116 | 4.6 |
| H | 78 | 3.1 |
| J | 46 | 1.8 |
| K | 46 | 1.8 |
| L | 99 | 3.9 |
| M | 127 | 5.0 |
| N | 196 | 7.7 |
| P | 98 | 3.9 |
| R | 60 | 2.4 |
| S | 57 | 2.2 |
| T | 83 | 3.3 |
| U | 98 | 3.9 |
| V | 10 | 0.4 |
| W | 6 | 0.2 |

LW0353 REV. D

WILDEN®

22069 Van Buren Street
 Grand Terrace, CA 92313-5607 USA

O: +1 (909) 422-1730 F: +1 (909) 783-3440
 www.psgdover.com

PSG®
 a DOVER company
 psgdover.com

